



US00D511511S

(12) **United States Design Patent**
Suzuki et al.

(10) **Patent No.: US D511,511 S**
(45) **Date of Patent: ** Nov. 15, 2005**

(54) **TELEPHONE**
(75) Inventors: **Takeshi Suzuki, Yokohama (JP); Naoki Kato, Tigasaki (JP)**
(73) Assignee: **NEC Infrontia Corporation, Kanagawa (JP)**
(**) Term: **14 Years**
(21) Appl. No.: **29/216,928**
(22) Filed: **Nov. 10, 2004**

D319,829 S * 9/1991 Wu D14/151
D322,786 S * 12/1991 Wu D14/151
D342,252 S * 12/1993 Akatsu et al. D14/151
D353,590 S * 12/1994 Mo D14/151
D412,330 S * 7/1999 Shigemura D14/151
D414,766 S * 10/1999 Delhaes D14/151
D418,834 S * 1/2000 Zeitman D14/151
D426,535 S * 6/2000 Zeitman D14/151
D426,822 S * 6/2000 Jauregui et al. D14/151
D437,840 S * 2/2001 Korby et al. D14/151
D452,489 S * 12/2001 Nagase D14/151
D458,599 S * 6/2002 Nagase D14/248

(51) **LOC (8) Cl. 14-03**
(52) **U.S. Cl. D14/151**
(58) **Field of Search D14/149-151, D14/147-148, 251-253, 144, 143, 130, 329, 330, 434, 140, 142; 379/419, 428.01-428.04, 440; D13/107, 108; D21/517**

FOREIGN PATENT DOCUMENTS

WO DM/055838 * 4/2001
* cited by examiner

Primary Examiner—Jeffrey Asch
(74) *Attorney, Agent, or Firm*—Seyfarth Shaw LLP

(56) **References Cited**

U.S. PATENT DOCUMENTS

D251,844 S * 5/1979 Kramer D14/151
D271,487 S * 11/1983 Breger D14/151
D279,895 S * 7/1985 Menei D14/151
D284,003 S * 5/1986 Tamura D14/142
D291,439 S * 8/1987 Wu D14/151
D297,935 S * 10/1988 Kurosu et al. D14/151
D298,239 S * 10/1988 Hirose et al. D14/151
D303,386 S * 9/1989 Iino D14/142
D306,730 S * 3/1990 Sugano et al. D14/151
D307,426 S * 4/1990 Ohta et al. D14/142
D307,430 S * 4/1990 Desbarats D14/151
D312,458 S * 11/1990 Suzuki D14/144

(57) **CLAIM**

The ornamental design for the telephone, as shown and described.

DESCRIPTION

FIG. 1 is a front view of the telephone showing our new design;
FIG. 2 is a rear view thereof;
FIG. 3 is a left side view thereof;
FIG. 4 is a right-side view thereof;
FIG. 5 is a top plan view thereof;
FIG. 6 is a bottom plan view thereof; and,
FIG. 7 is a perspective view.

1 Claim, 3 Drawing Sheets

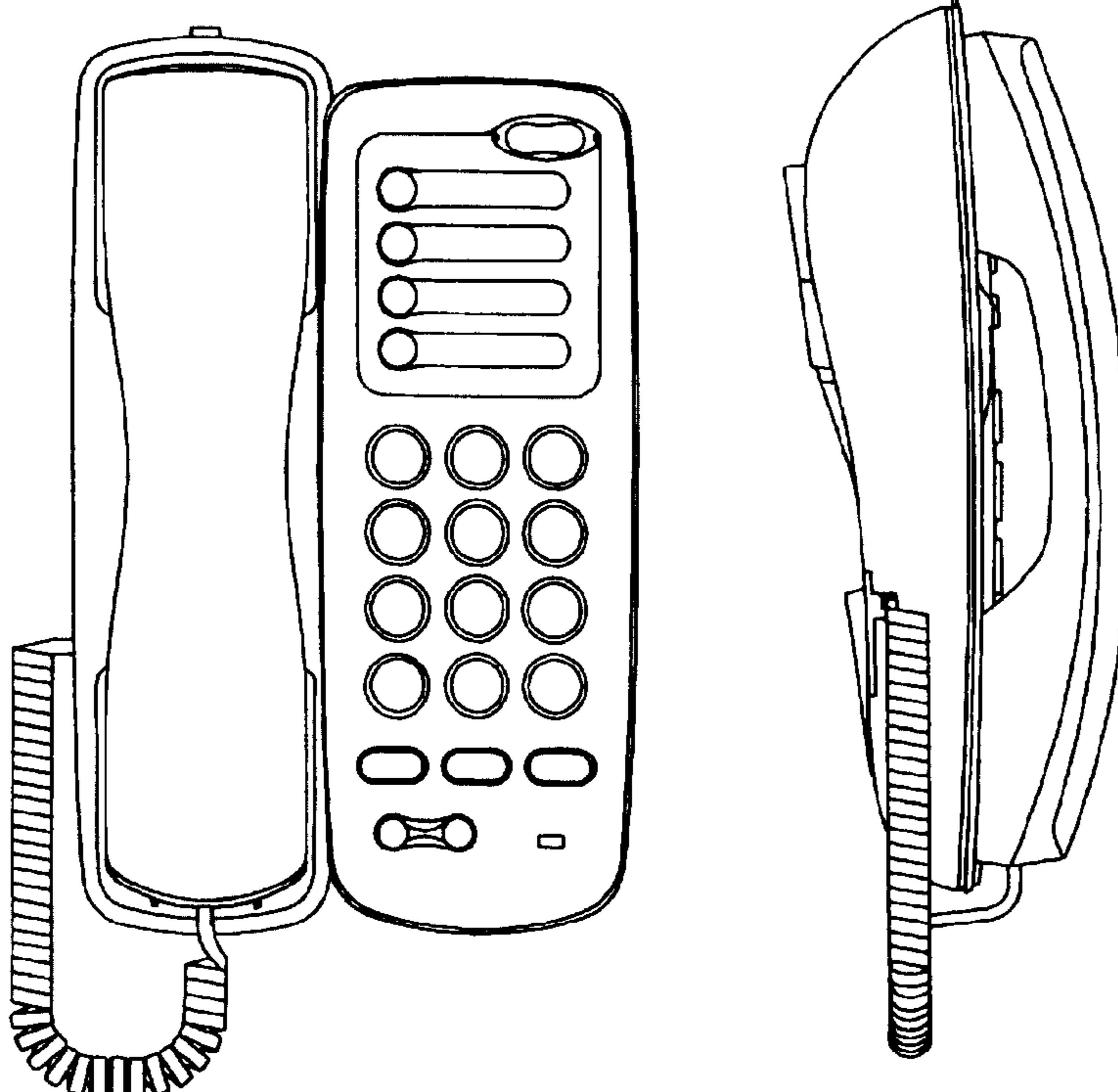


FIG. 1

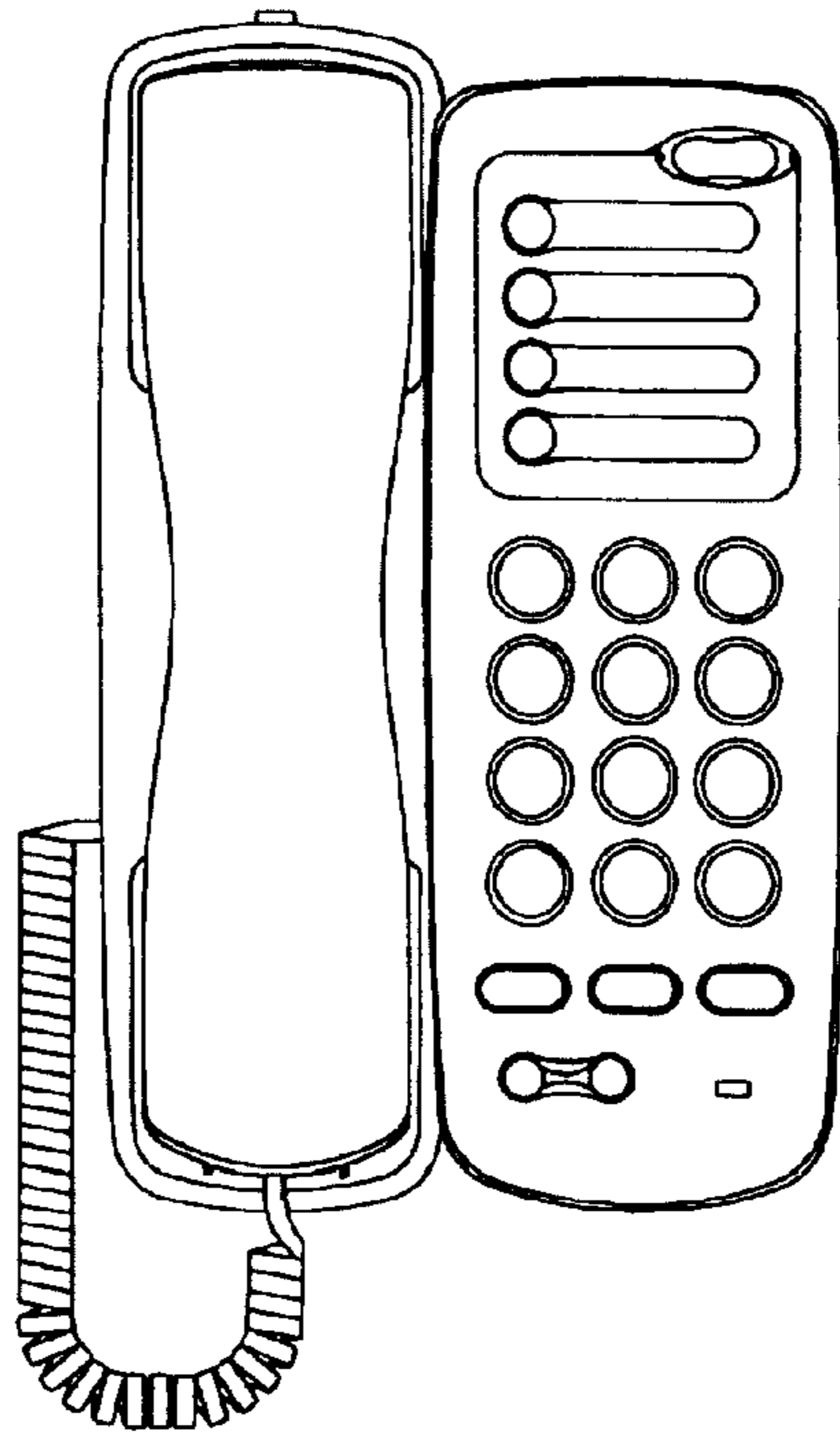


FIG. 2

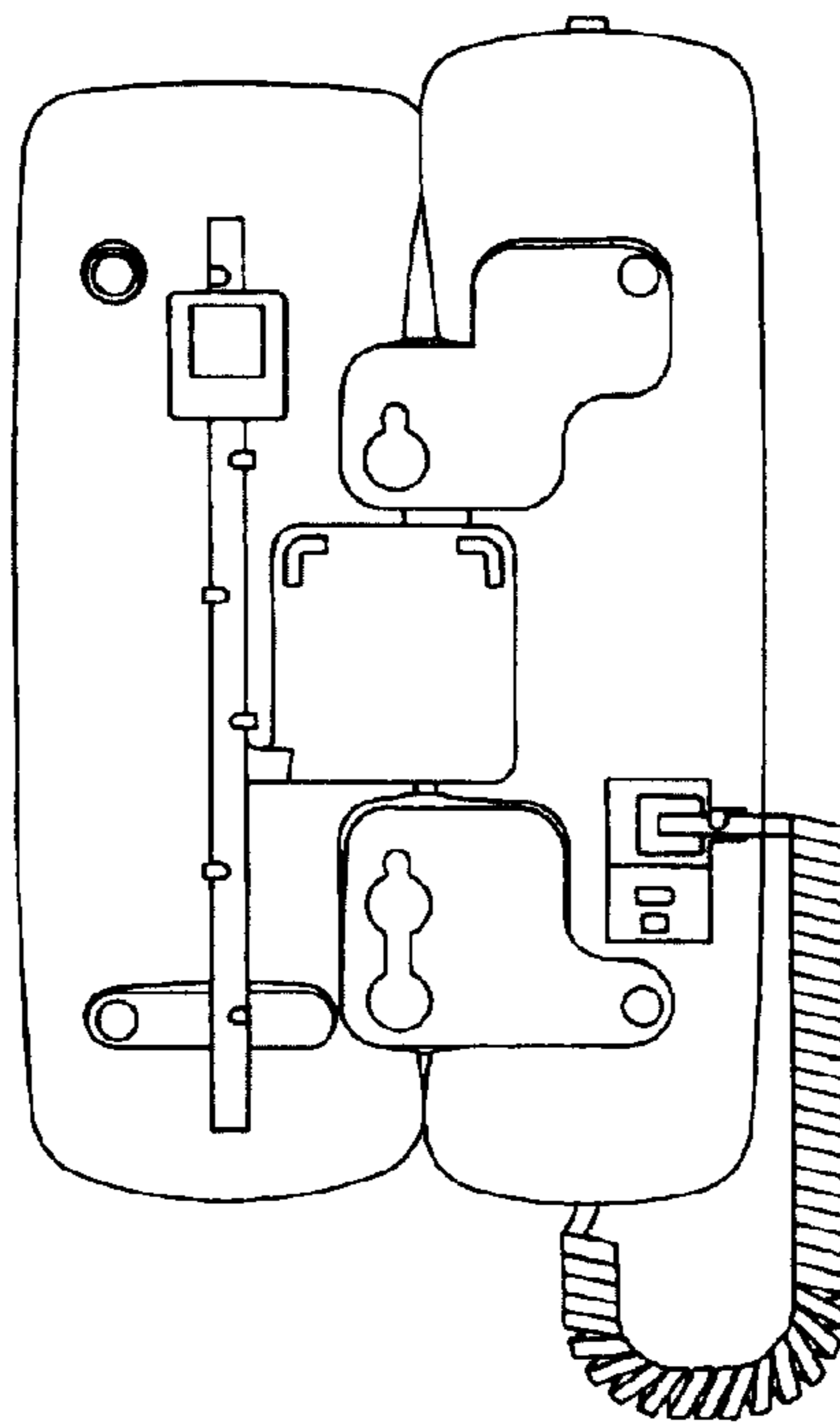


FIG. 3

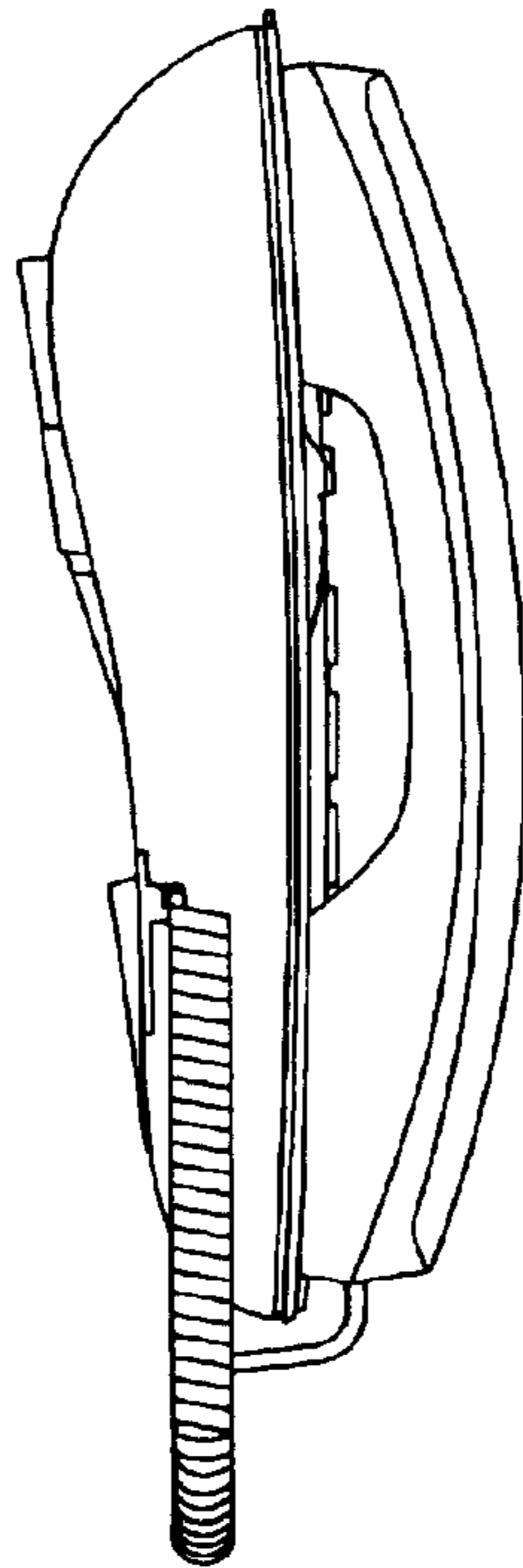


FIG. 4

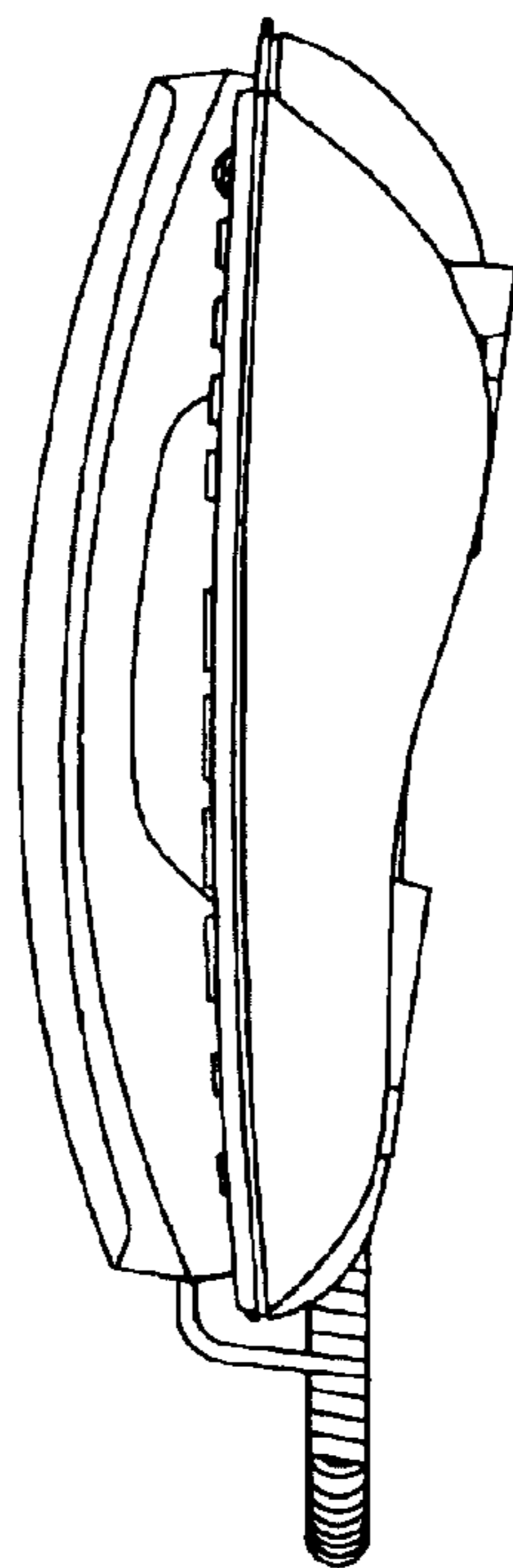


FIG. 5

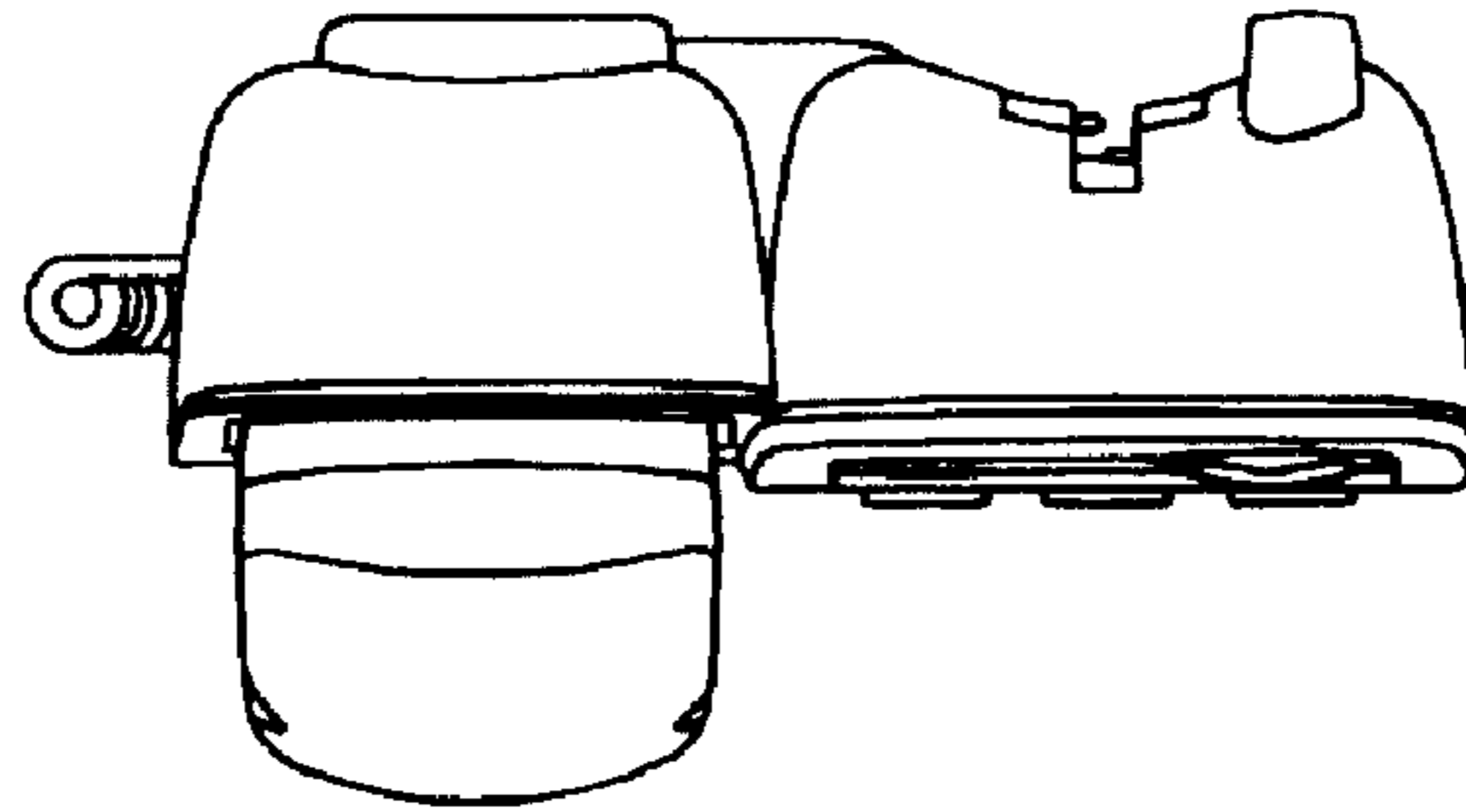


FIG. 6

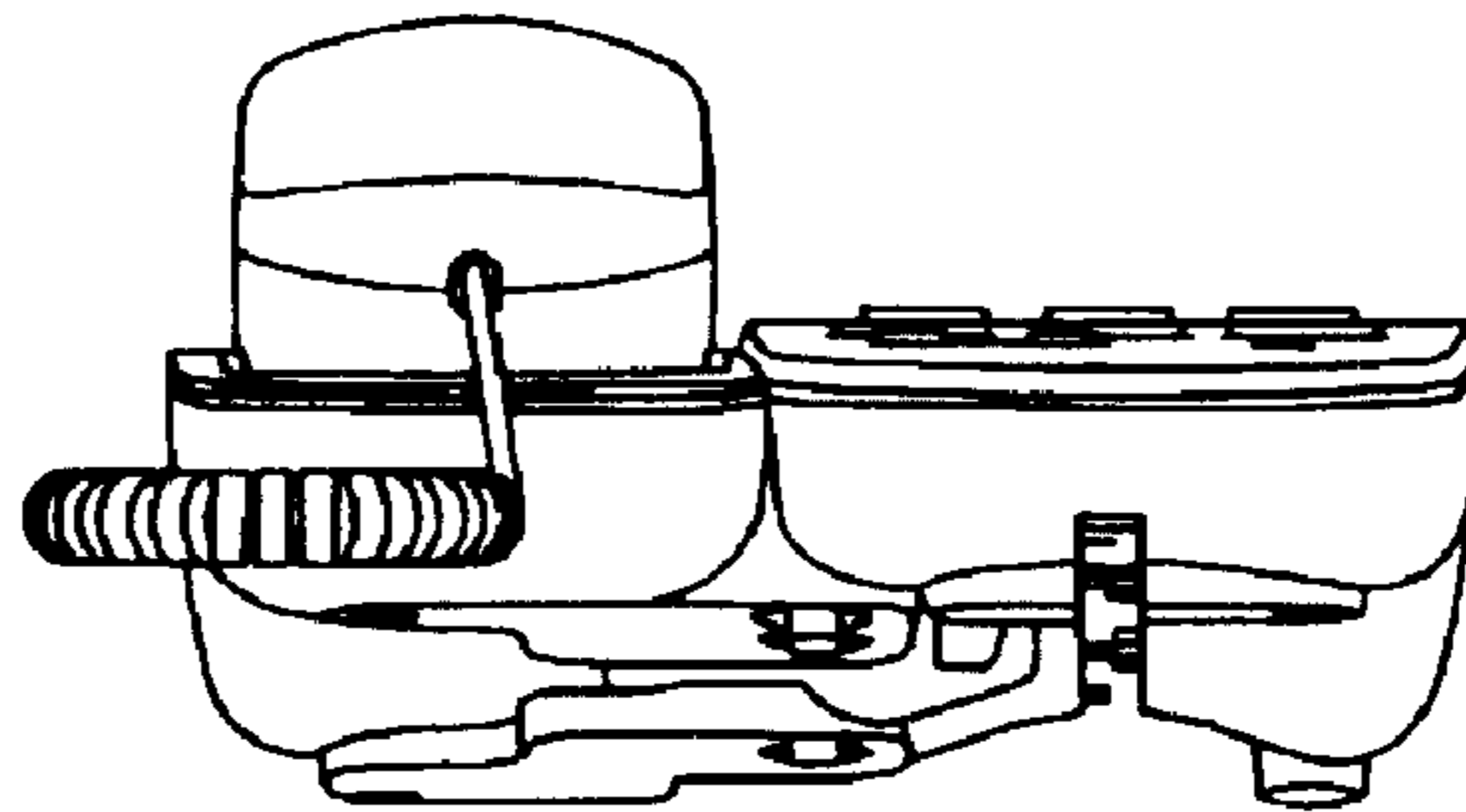


FIG. 7

