

US00D511507S

(12) **United States Design Patent**  
**Chintala et al.**

(10) **Patent No.: US D511,507 S**

(45) **Date of Patent: \*\* Nov. 15, 2005**

(54) **PORTABLE ELECTRONIC DEVICE**

(75) Inventors: **Thomas J. Chintala**, San Diego, CA (US); **Douglas Howard Moe**, Oceanside, CA (US); **Ramin Moallemi**, San Diego, CA (US); **Kimberly Meyer Koro**, San Diego, CA (US); **Gregory Paul Heinzinger**, Del Mar, CA (US); **Joel Gordon Delman**, Chicago, IL (US); **Scott R. Semenik**, Charles, IL (US)

(73) Assignee: **Qualcomm, Inc.**, San Diego, CA (US)

(\*\*) Term: **14 Years**

(21) Appl. No.: **29/197,441**

(22) Filed: **Jan. 14, 2004**

(51) **LOC (8) Cl. .... 14-03**

(52) **U.S. Cl. .... D14/138**

(58) **Field of Search** ..... D14/137, 138, D14/218, 147-148, 247-248, 144, 341-347; 379/433.01-433.13, 419, 434, 428.01-428.04, 420.01-420.04, 440; 455/550.1-90.3; D21/517; D13/168; D18/2, 7; 345/168, 169

(56) **References Cited**

**U.S. PATENT DOCUMENTS**

D356,562 S	*	3/1995	Nuovo	.....	D14/138
D388,431 S	*	12/1997	Takayasu et al.	.....	D14/138
D390,509 S	*	2/1998	Antzinas et al.	.....	D14/138
D391,567 S	*	3/1998	Nagele et al.	.....	D14/138
D402,653 S	*	12/1998	Nuovo et al.	.....	D14/138
6,097,964 A	*	8/2000	Nuovo et al.	.....	455/566
D434,742 S	*	12/2000	Elkins et al.	.....	D14/138
D438,184 S	*	2/2001	Suzuki et al.	.....	D14/138
D439,230 S	*	3/2001	Braxton et al.	.....	D14/138
D440,951 S	*	4/2001	Kolinen	.....	D14/138
D446,509 S	*	8/2001	Chiu	.....	D14/138
D451,079 S	*	11/2001	Ali	.....	D14/138
D454,550 S	*	3/2002	Hayasaka et al.	.....	D14/138
D455,726 S	*	4/2002	Kolinen	.....	D14/138
D456,799 S	*	5/2002	Kolinen	.....	D14/248

D459,325 S	*	6/2002	Nakahara	.....	D14/138
D464,940 S	*	10/2002	Jung	.....	D14/138
D466,487 S	*	12/2002	Wada et al.	.....	D14/138
D466,488 S	*	12/2002	Wada et al.	.....	D14/138
D469,748 S	*	2/2003	Ribeiro et al.	.....	D14/138
D470,467 S	*	2/2003	Maruska et al.	.....	D14/138
D474,455 S	*	5/2003	Arbisi	.....	D14/138
D477,582 S	*	7/2003	Muenschler et al.	.....	D14/147
D479,515 S	*	9/2003	Seo	.....	D14/138
D480,057 S	*	9/2003	Ho-Cheun et al.	.....	D14/138
D480,374 S	*	10/2003	Toor et al.	.....	D14/138
D481,369 S	*	10/2003	Kolinen et al.	.....	D14/138
D484,108 S	*	12/2003	Majanen	.....	D14/138
D484,477 S	*	12/2003	Salmi	.....	D14/138
D485,247 S	*	1/2004	Wang et al.	.....	D14/138
D485,819 S	*	1/2004	Ahlgren	.....	D14/138
D486,808 S	*	2/2004	Aihara	.....	D14/138
D487,066 S	*	2/2004	Gartrell et al.	.....	D14/138

(Continued)

**FOREIGN PATENT DOCUMENTS**

WO DM/058233 \* 12/2001

*Primary Examiner*—Jeffrey Asch

(74) *Attorney, Agent, or Firm*—Phil Wadsworth; Sandip Minhas; Abdollah Katbab

(57) **CLAIM**

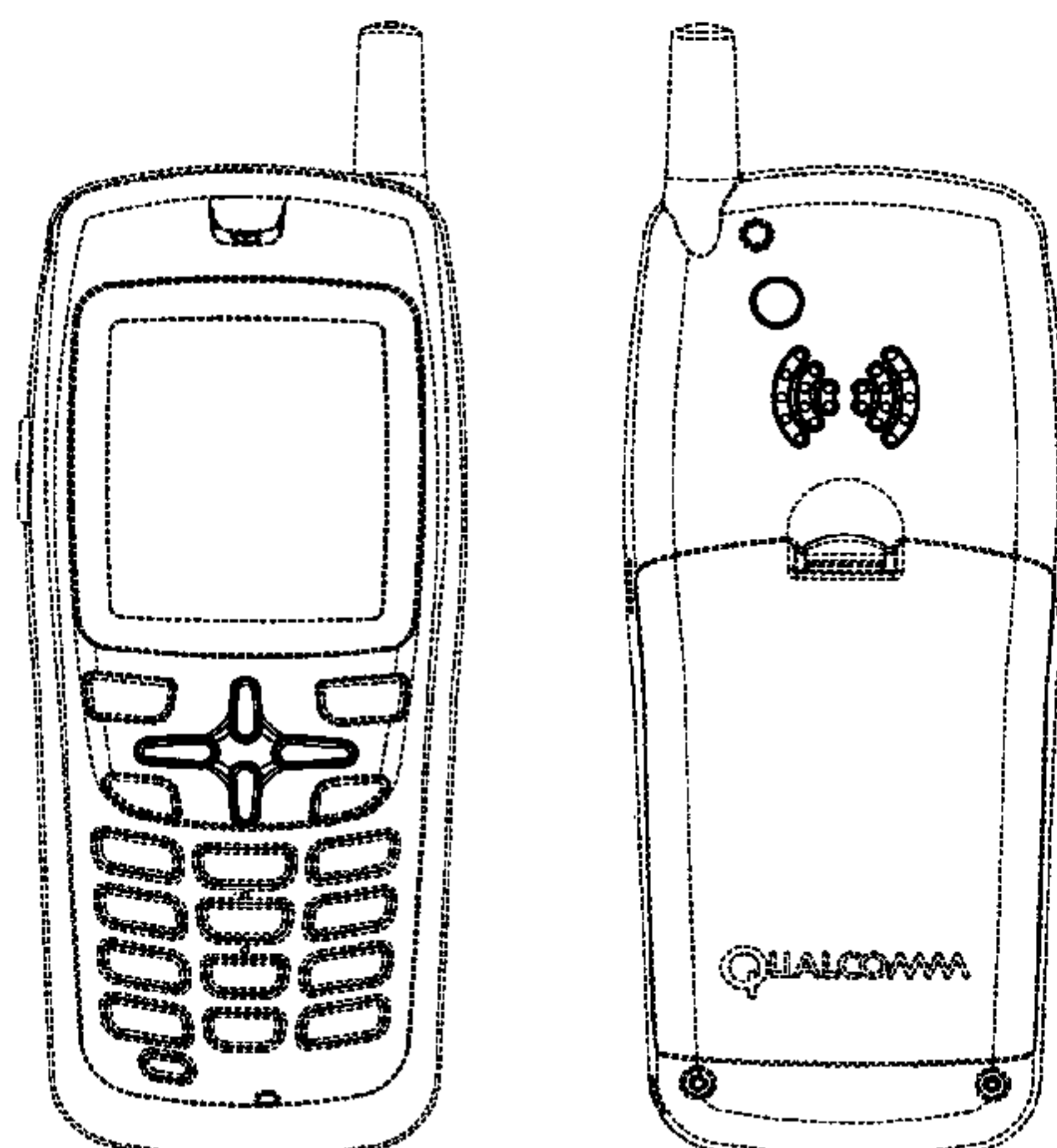
I claim the ornamental design for a portable electronic device, as shown and described.

**DESCRIPTION**

FIG. 1 is a front perspective view of a portable electronic device;  
FIG. 2 is a front elevation view thereof;  
FIG. 3 is a rear perspective view thereof;  
FIG. 4 is a left side elevation view thereof;  
FIG. 5 is a right side elevation view thereof;  
FIG. 6 is a rear elevation view thereof;  
FIG. 7 is a top plan view thereof; and,  
FIG. 8 is a bottom plan view thereof.

The broken lines show portions of the portable phone that form no part of the claimed design.

**1 Claim, 8 Drawing Sheets**



# US D511,507 S

Page 2

---

## U.S. PATENT DOCUMENTS

D490,792 S	*	6/2004	Lee	.....	D14/138	D502,455 S	*	3/2005	Brandis et al.	.....	D14/138
D493,436 S	*	7/2004	Okada et al.	.....	D14/138	6,870,528 B2	*	3/2005	Ichikawa	.....	345/168
D494,949 S	*	8/2004	Arnholt et al.	.....	D14/138	2003/0030624 A1	*	2/2003	Aoyama	.....	345/168
D496,342 S	*	9/2004	Clemens et al.	.....	D14/138	2003/0038787 A1	*	2/2003	Nishiyama	.....	345/169
D498,219 S	*	11/2004	Hamann	.....	D14/138	2003/0153282 A1	*	8/2003	Sun et al.	.....	455/90
D498,221 S	*	11/2004	Schunemann	.....	D14/138	2004/0082367 A1	*	4/2004	Nakanishi et al.	.....	455/566
D498,222 S	*	11/2004	Liang	.....	D14/138						

\* cited by examiner



Fig. 1

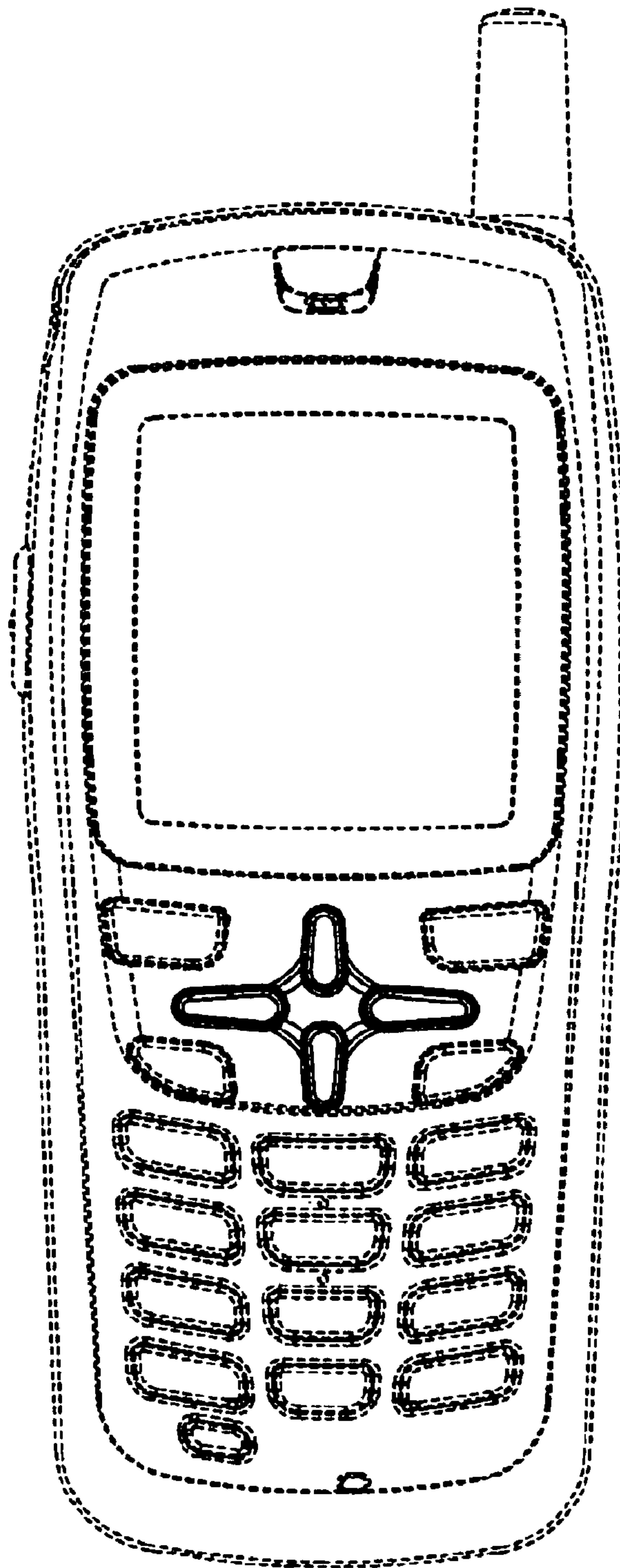


Fig. 2



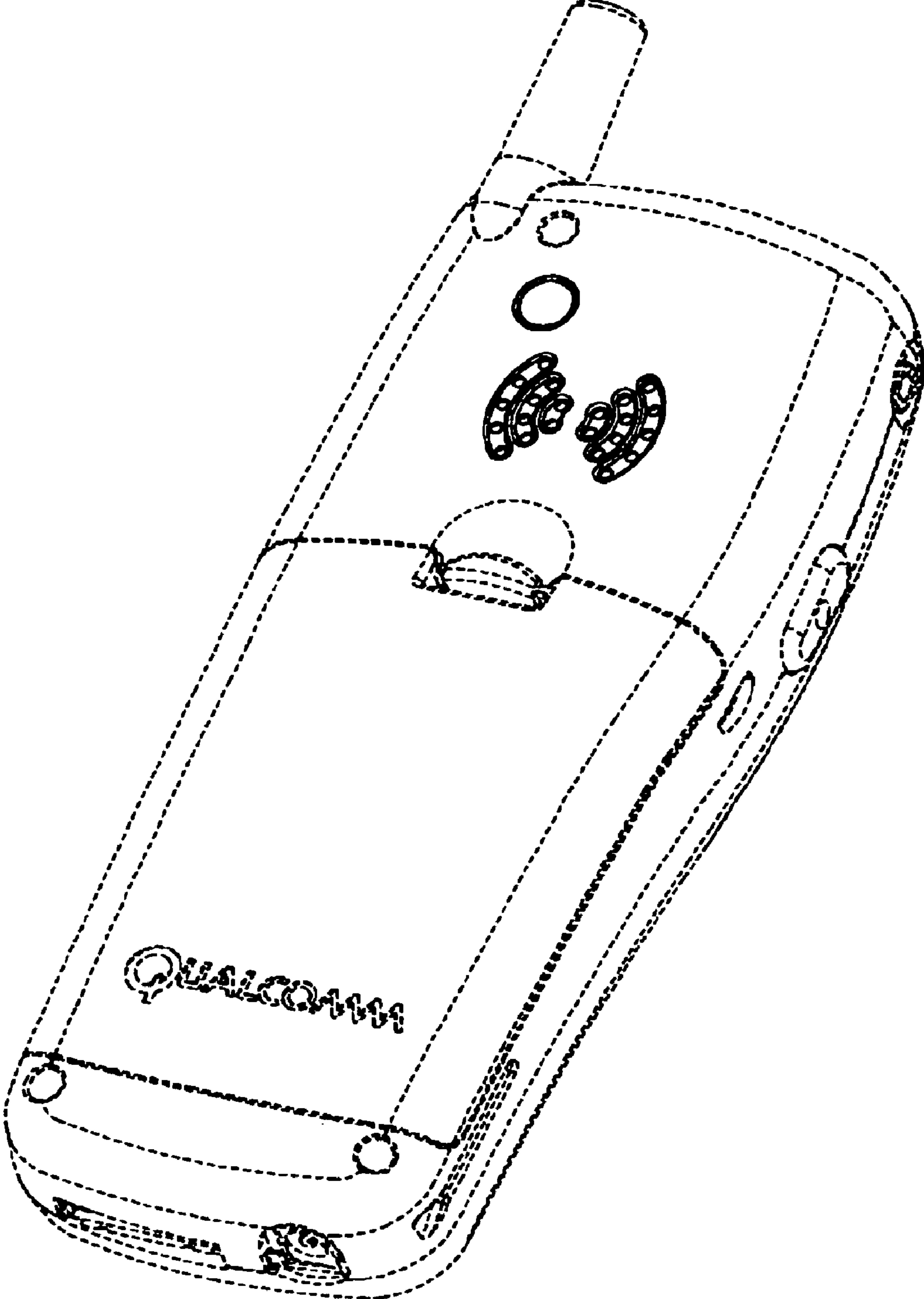


Fig. 3

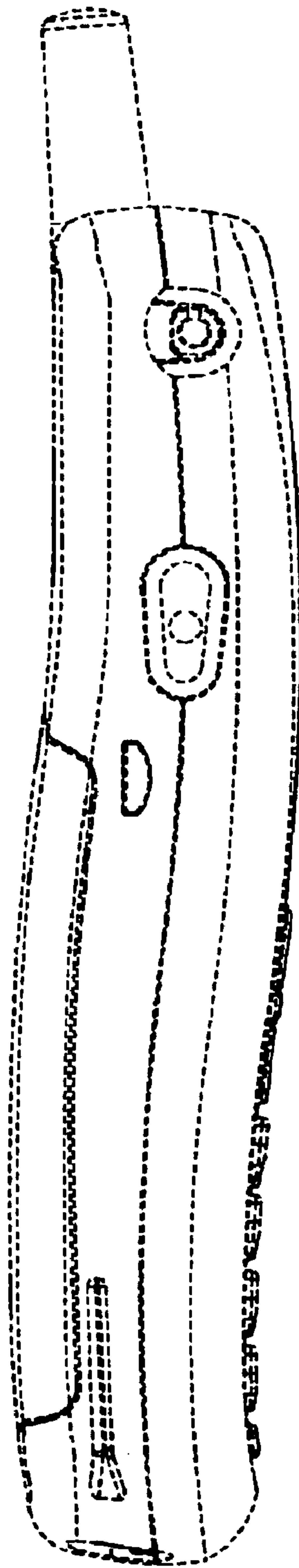


Fig. 4

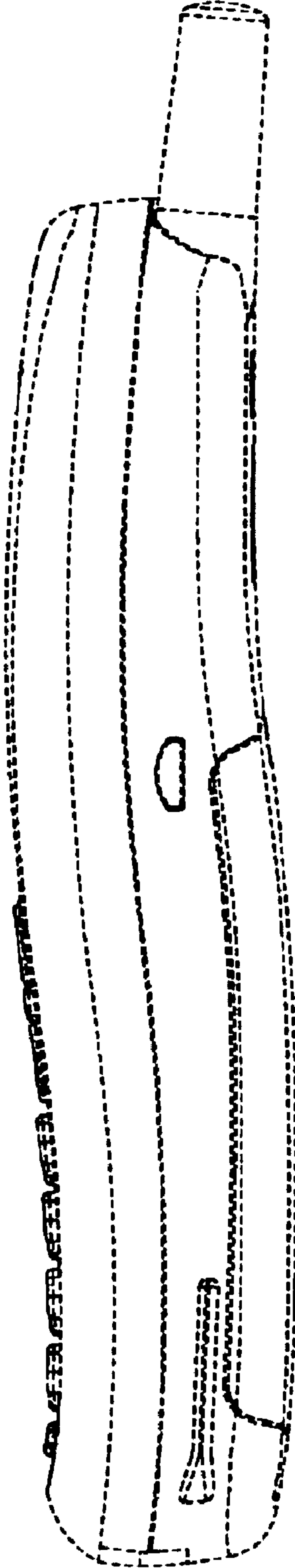


Fig. 5

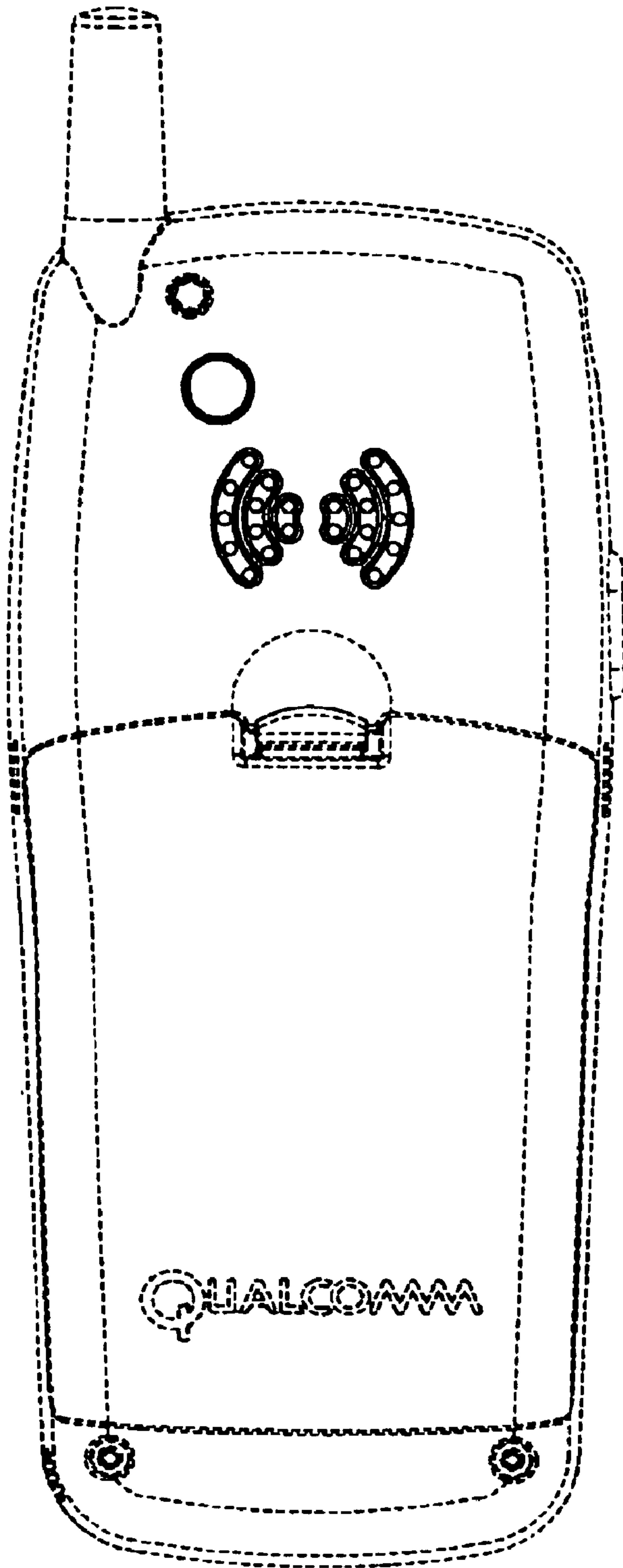


Fig. 6



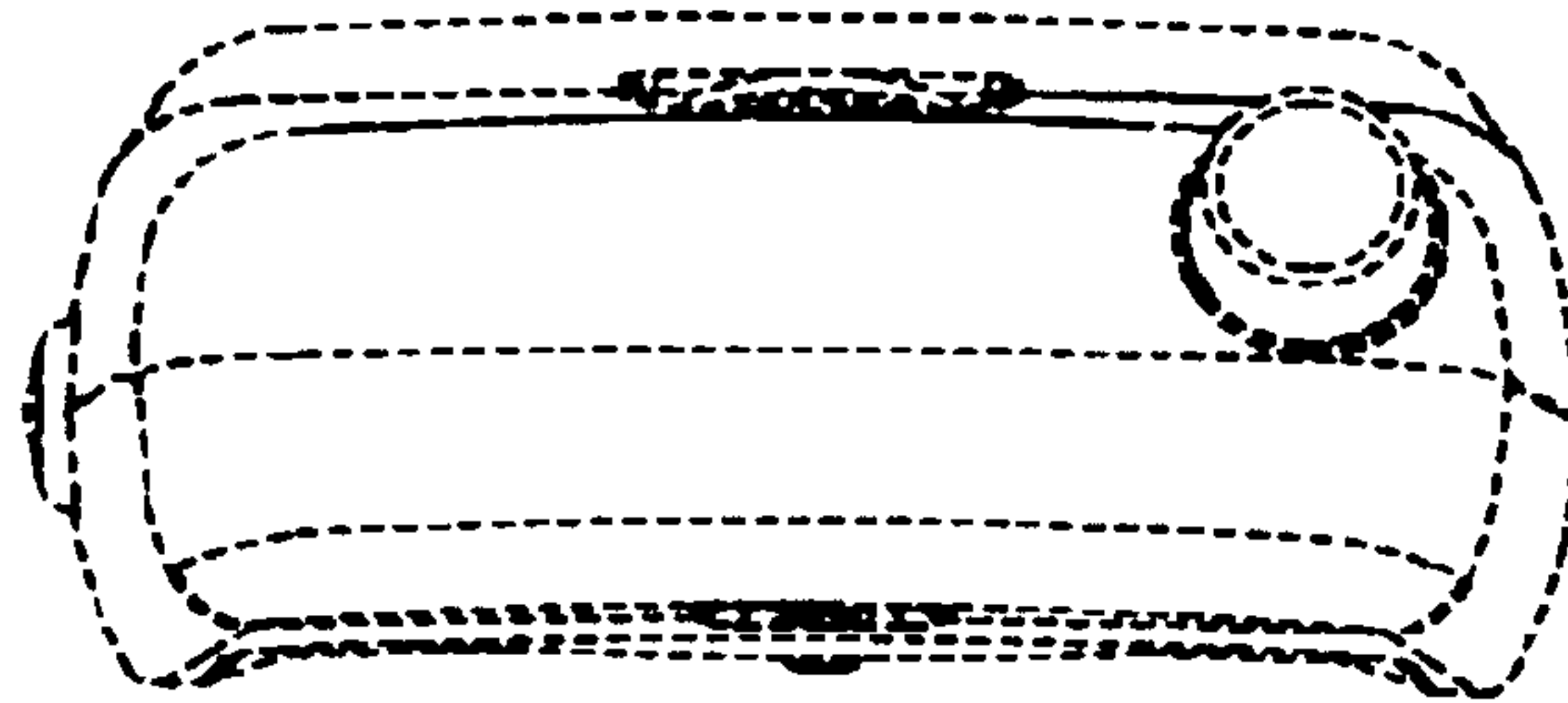


Fig. 7

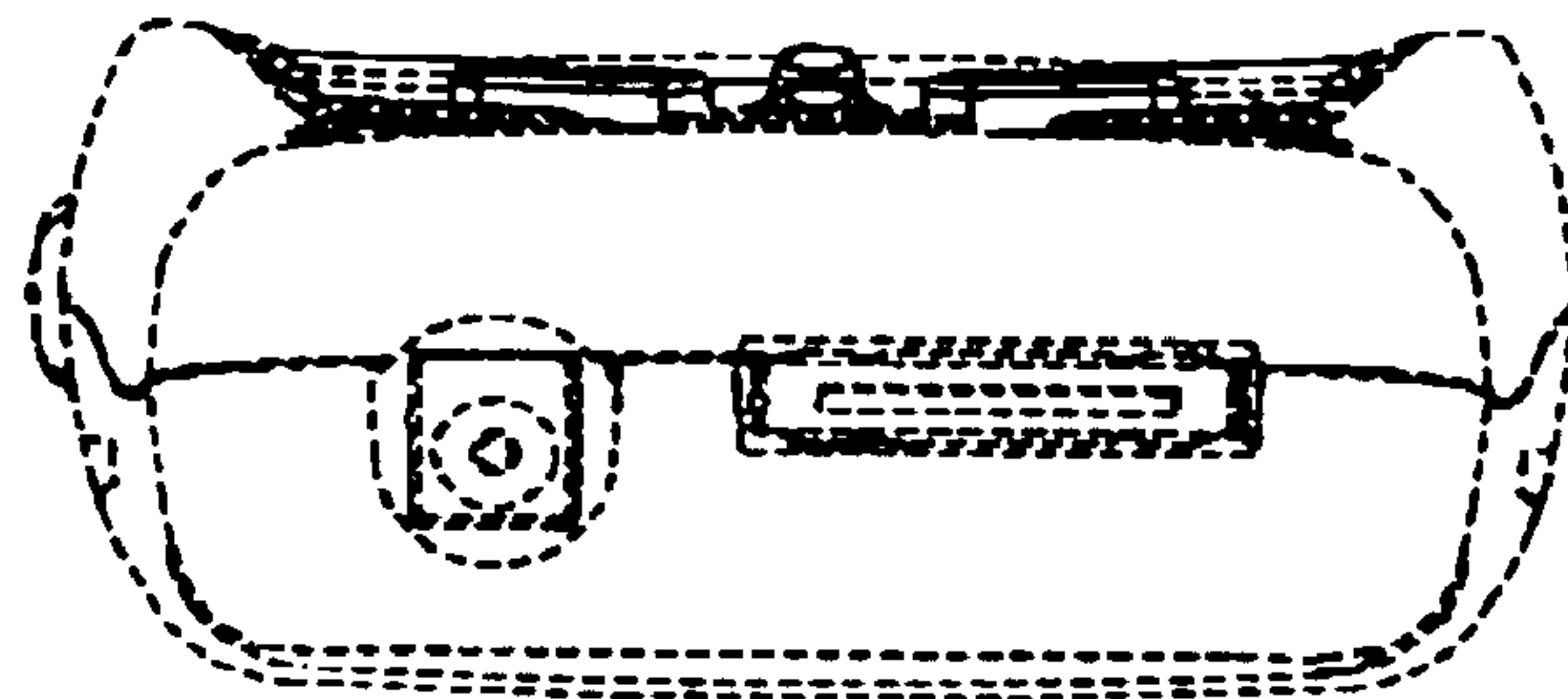


Fig. 8