



US00D511504S

(12) **United States Design Patent**
Sang

(10) **Patent No.: US D511,504 S**

(45) **Date of Patent: ** Nov. 15, 2005**

(54) **SWITCH**

4,461,938 A * 7/1984 Sorenson 200/296
4,988,553 A * 1/1991 Saiki et al. 428/99
5,122,626 A * 6/1992 Shinohara et al. 200/457

(75) **Inventor: Kei Tun Sang, Kowloon (HK)**

* cited by examiner

(73) **Assignee: Merchant Corporation Limited,
Kowloon (HK)**

Primary Examiner—Prabhakar Deshmukh
Assistant Examiner—Selina Sikder

(**) **Term: 14 Years**

(21) **Appl. No.: 29/221,583**

(57) **CLAIM**

(22) **Filed: Jan. 18, 2005**

The ornamental design for a switch, as shown and described.

(30) **Foreign Application Priority Data**

DESCRIPTION

Jul. 10, 2004 (HK) 0412264

FIG. 1 Front view.

(51) **LOC (8) Cl. 13-03**

FIG. 2 Rear view.

(52) **U.S. Cl. D13/171**

FIG. 3 Top view.

(58) **Field of Search D13/171, 174;**

FIG. 4 Bottom view.

200/5 A, 520, 302.2, 314, 317, 333, 341,
345

FIG. 5 Right view.

FIG. 6 Left view.

(56) **References Cited**

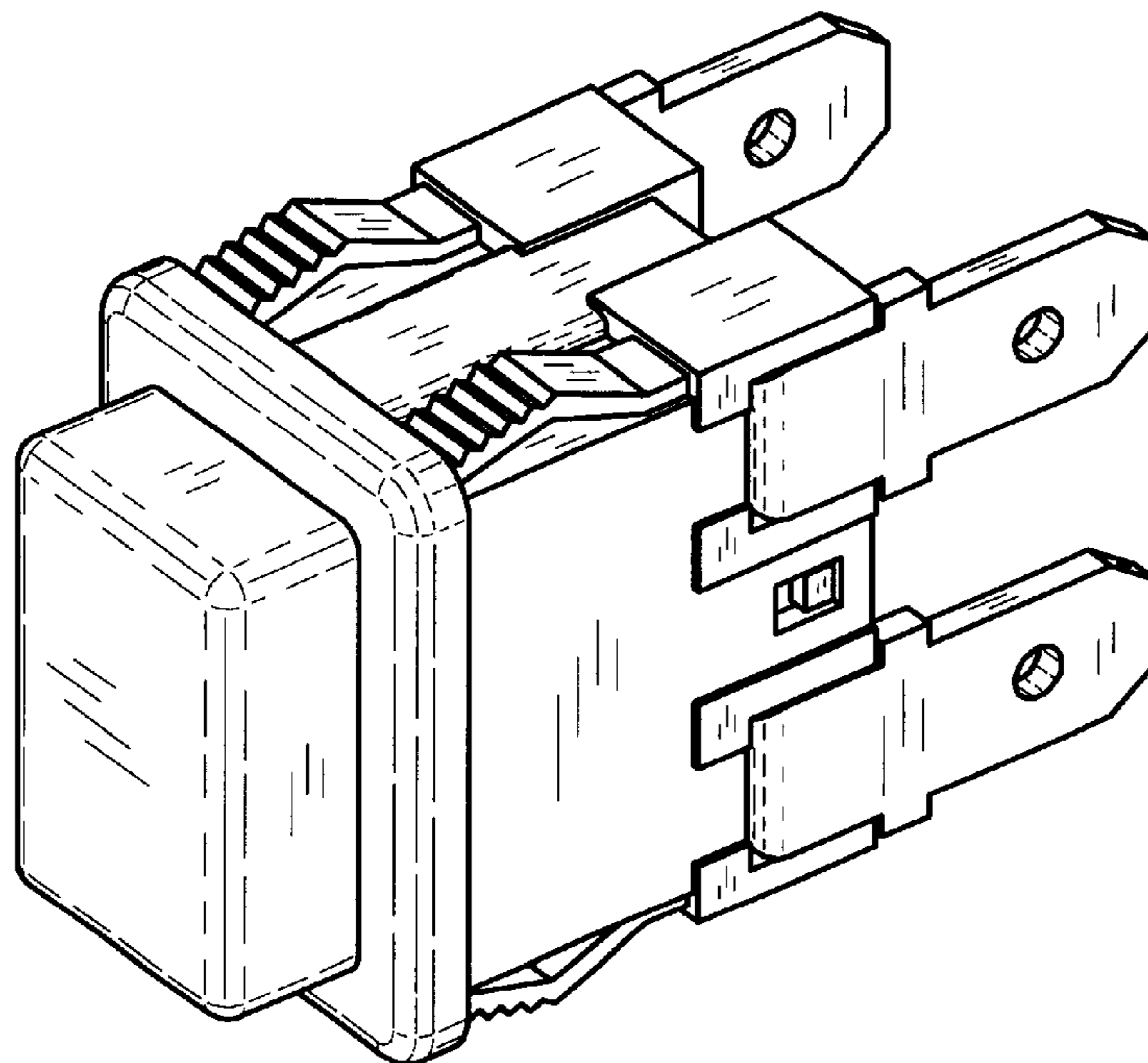
FIG. 7 Perspective view; and,

FIG. 8 Alternative perspective view.

U.S. PATENT DOCUMENTS

4,454,397 A * 6/1984 Kim 200/296

1 Claim, 4 Drawing Sheets



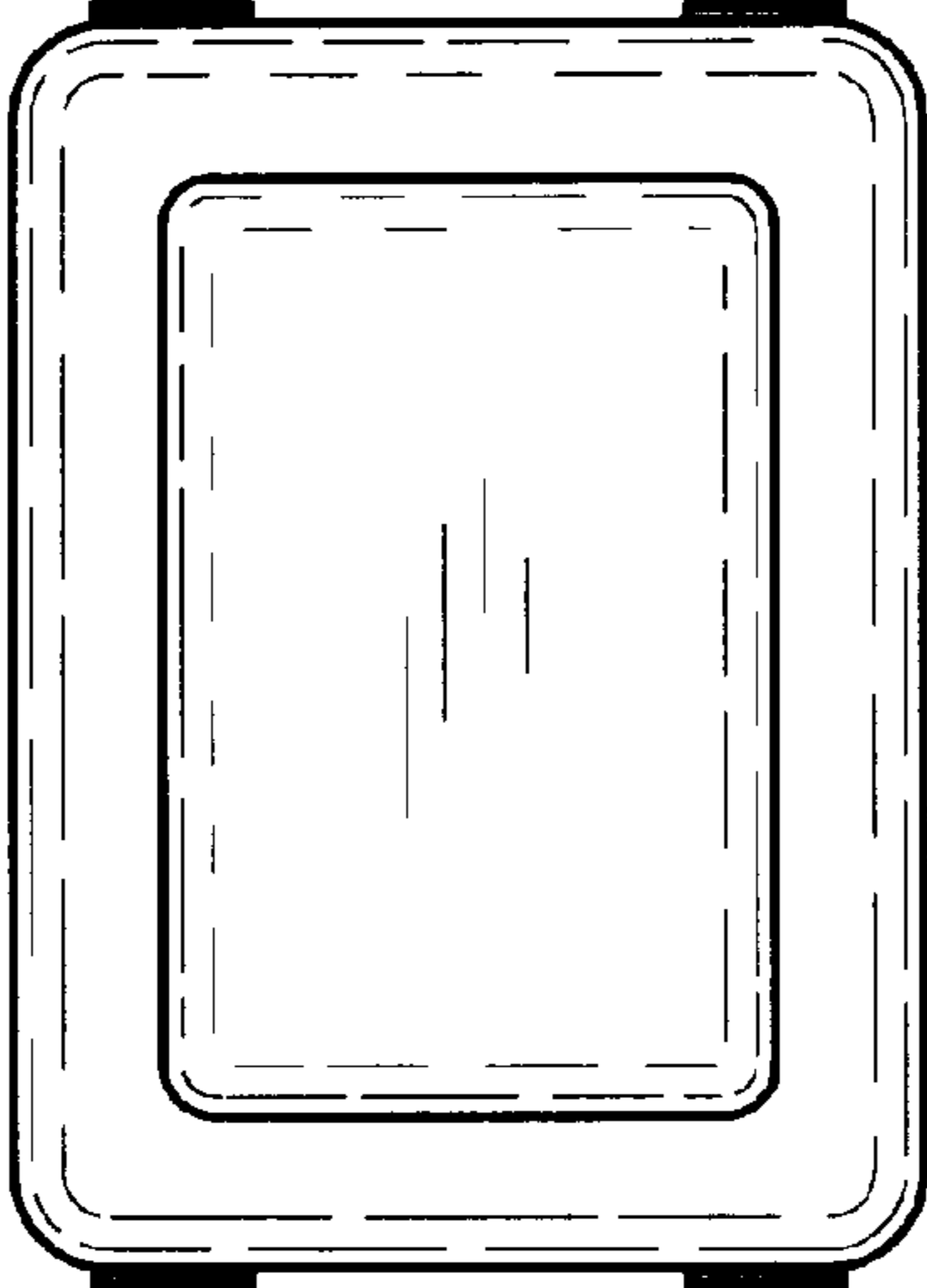


Fig.1

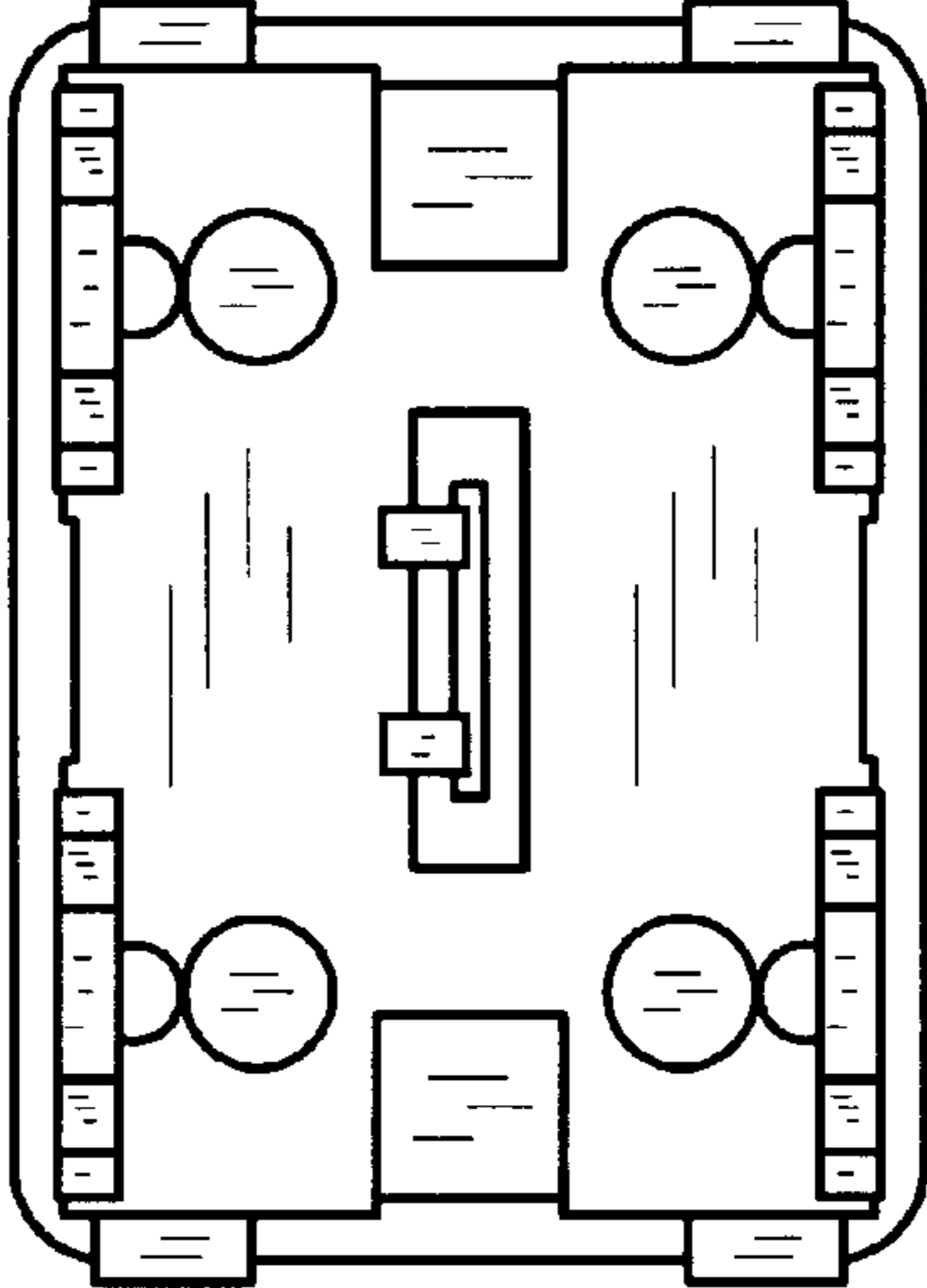


Fig.2

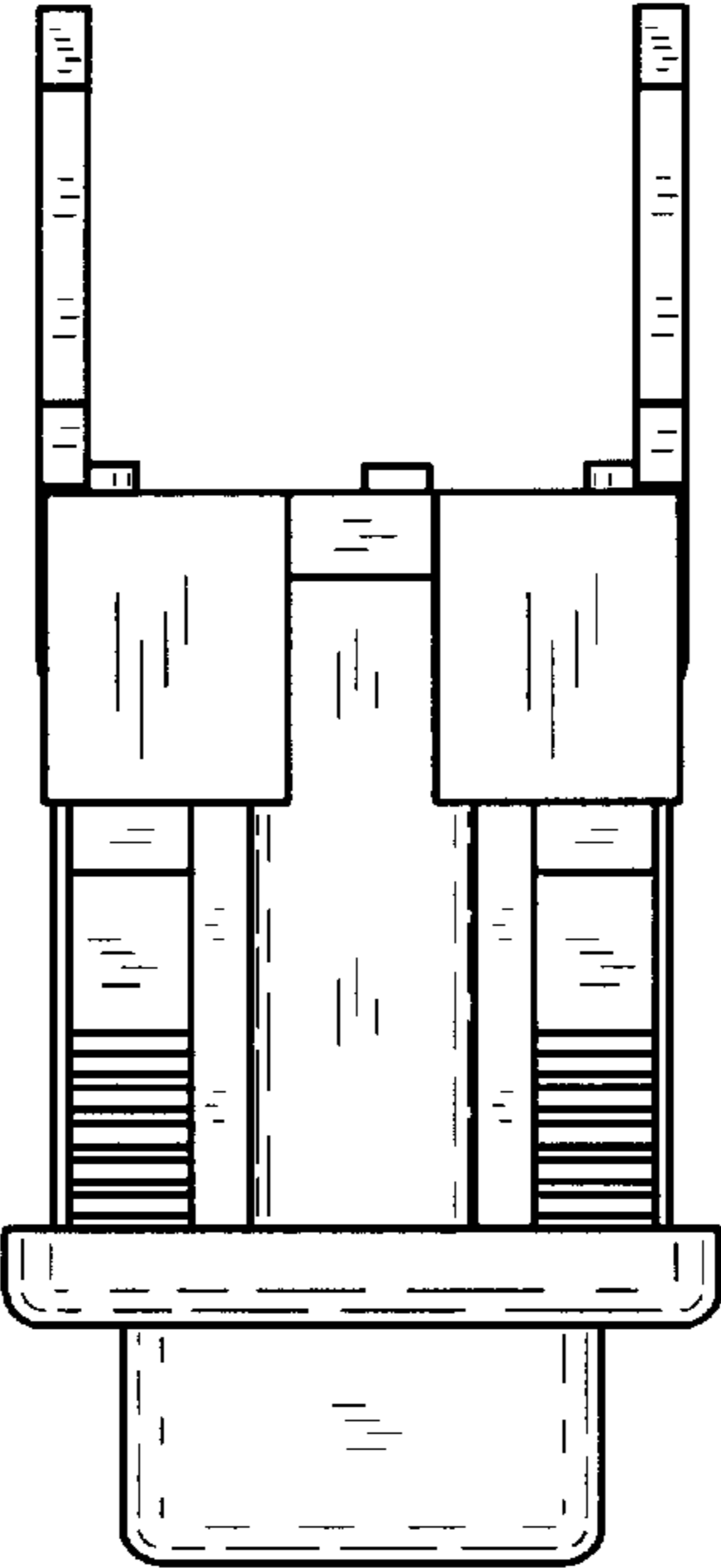


Fig.3

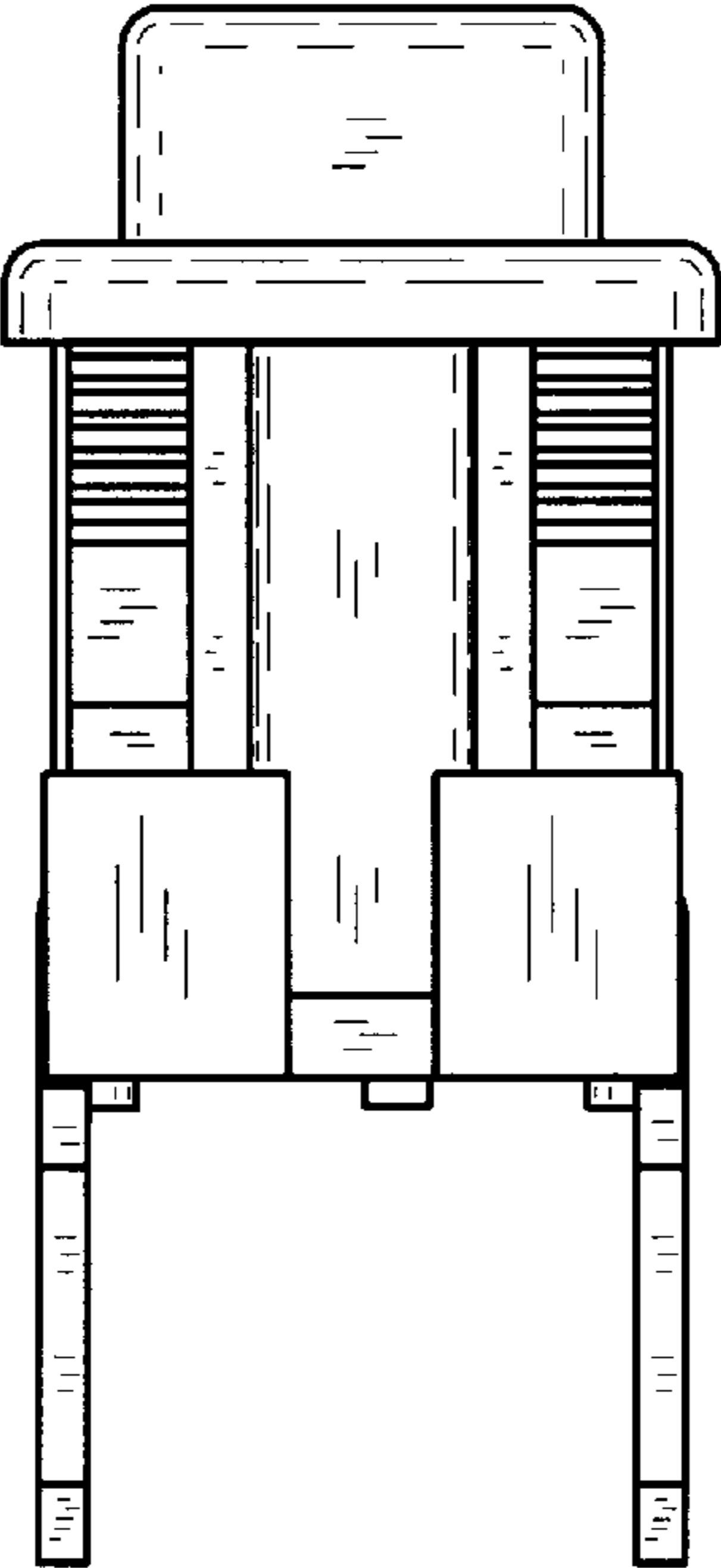


Fig.4

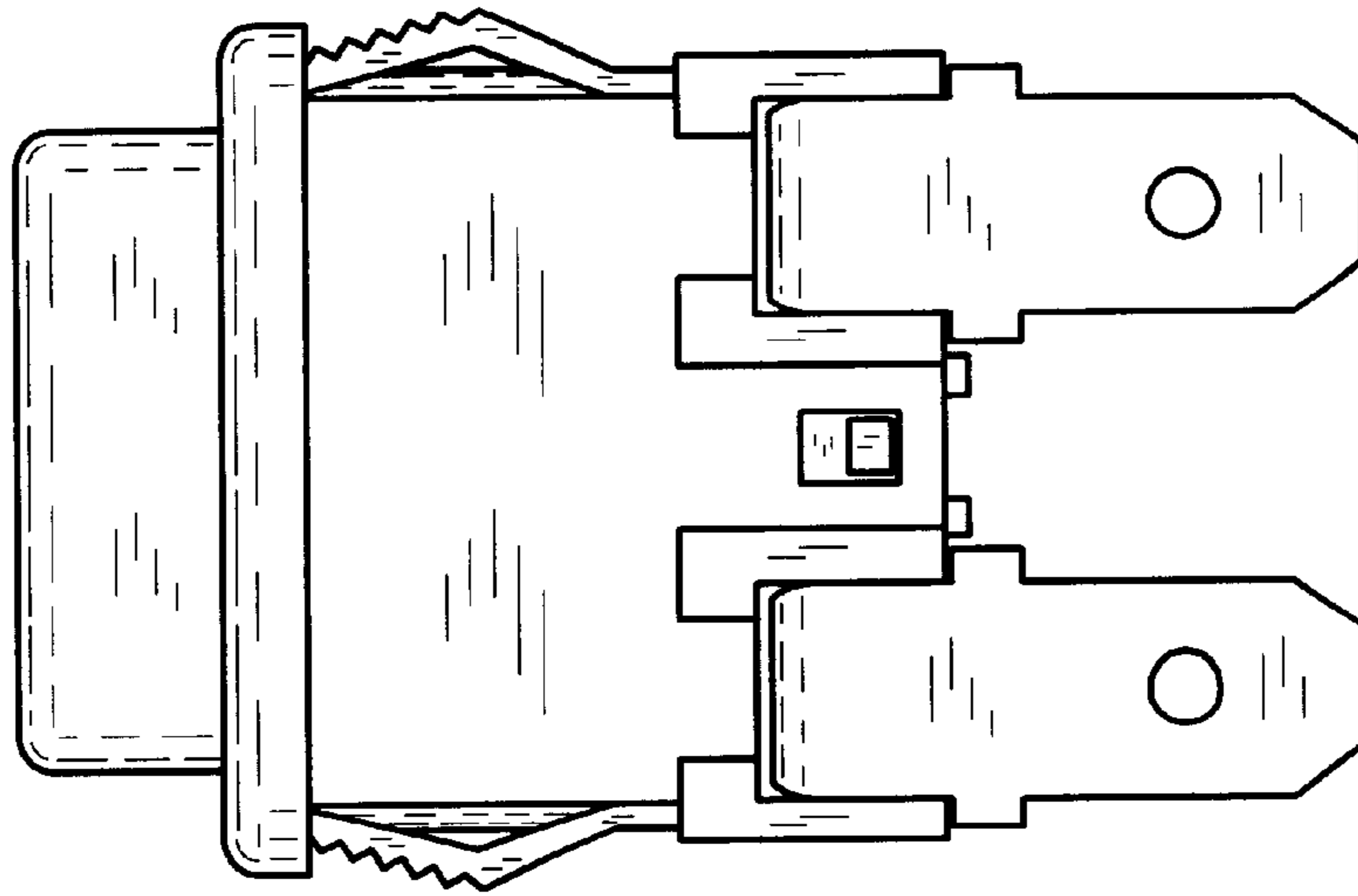


Fig.5

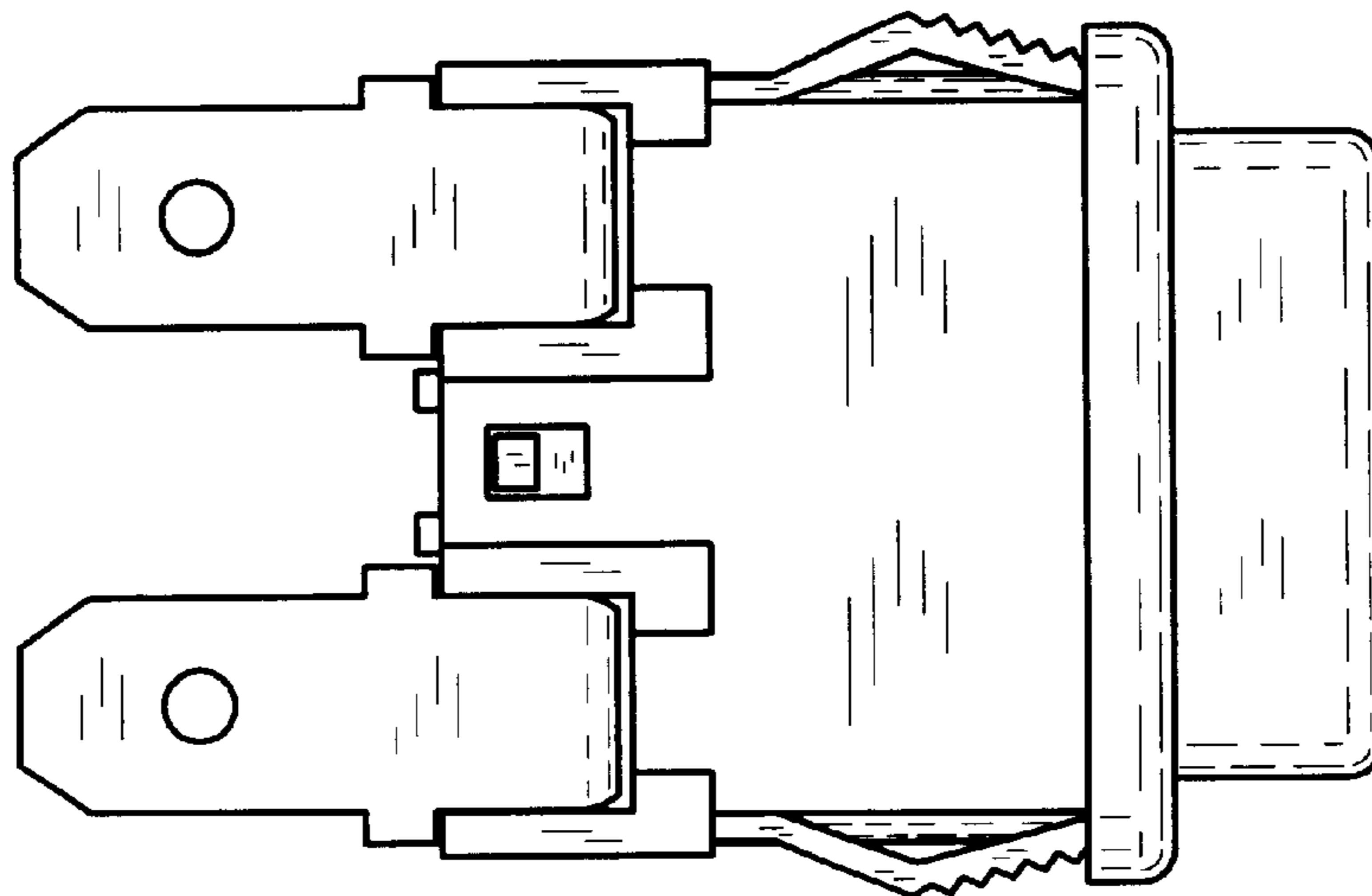


Fig.6

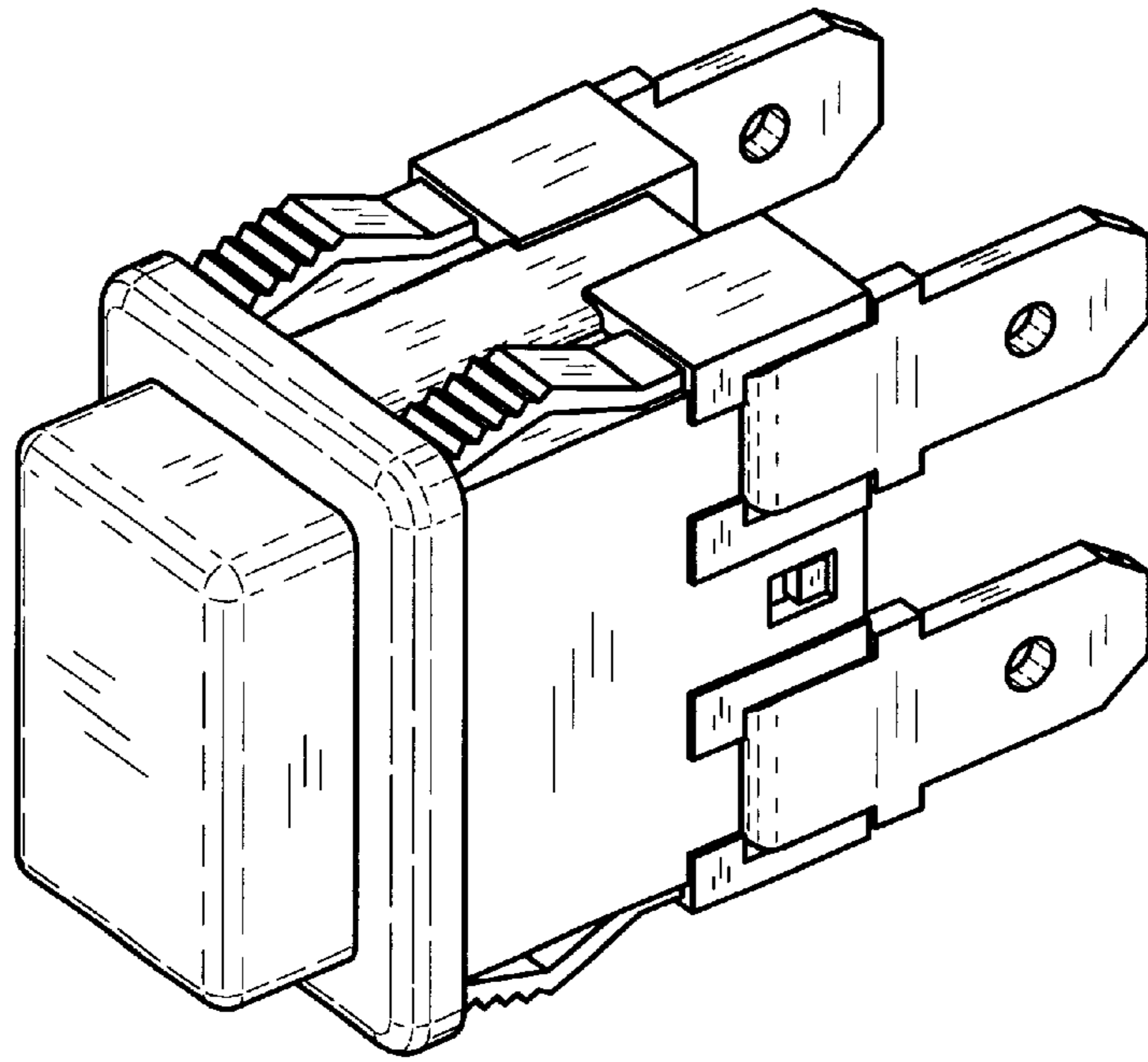


Fig.7

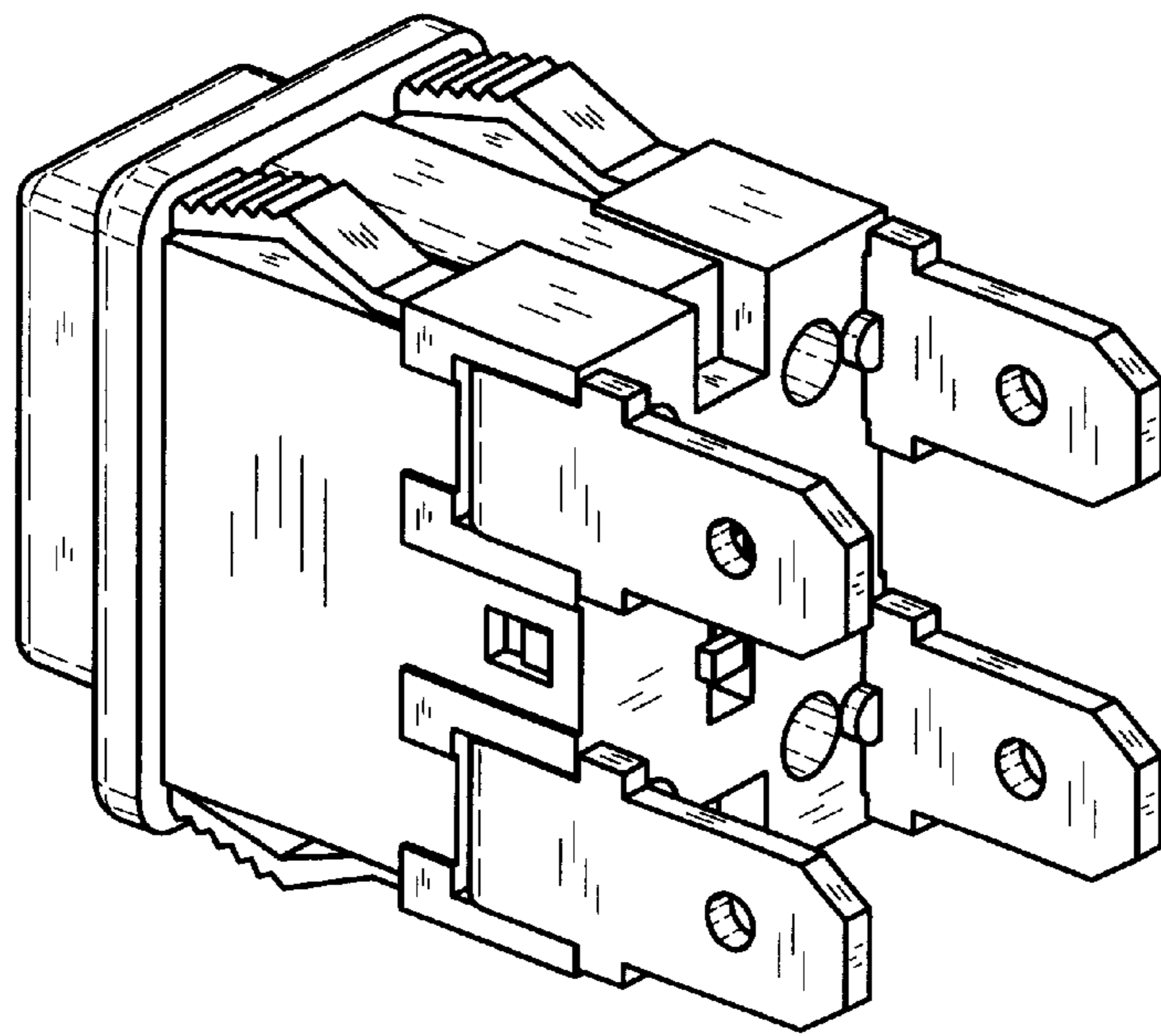


Fig.8