



US00D511499S

(12) **United States Design Patent**
Chung

(10) **Patent No.:** **US D511,499 S**

(45) **Date of Patent:** **** Nov. 15, 2005**

(54) **FILTER NUT**

(75) **Inventor:** **Shun-Ho Chung, Yung Kang (TW)**

(73) **Assignee:** **Soontai Tech Co., Ltd., Tainan (TW)**

(**) **Term:** **14 Years**

(21) **Appl. No.:** **29/197,795**

(22) **Filed:** **Jan. 22, 2004**

(51) **LOC (8) Cl. 13-03**

(52) **U.S. Cl. D13/154**

(58) **Field of Search D13/151, 154;**
D23/262; 333/185; 439/578, 583, 584;
D8/382, 387, 397, 399

(56) **References Cited**

U.S. PATENT DOCUMENTS

D208,428 S	*	8/1967	Holliday	D8/397
D268,565 S	*	4/1983	Mortus	D8/397
D372,857 S	*	8/1996	Hirai	D8/387
D374,814 S	*	10/1996	Saito	D8/387
D418,397 S	*	1/2000	Sasa	D8/382
D440,149 S	*	4/2001	Miyata	D8/397
D449,515 S	*	10/2001	Sato	D8/397
D457,054 S	*	5/2002	Pamer et al.	D8/397

D459,207 S	*	6/2002	Miyata	D8/397
D464,255 S	*	10/2002	Hundley	D8/399
D469,345 S	*	1/2003	Berry et al.	D8/397

* cited by examiner

Primary Examiner—Antoine Duval Davis

Assistant Examiner—Cynthia M. Chin

(74) *Attorney, Agent, or Firm*—Rosenberg, Klein & Lee

(57) **CLAIM**

The ornamental design for a filter nut, as shown and described.

DESCRIPTION

FIG. 1 is a perspective view of a filter nut showing my new design;

FIG. 2 is a front elevational view thereof;

FIG. 3 is a rear elevational view thereof;

FIG. 4 is a left side elevational view thereof;

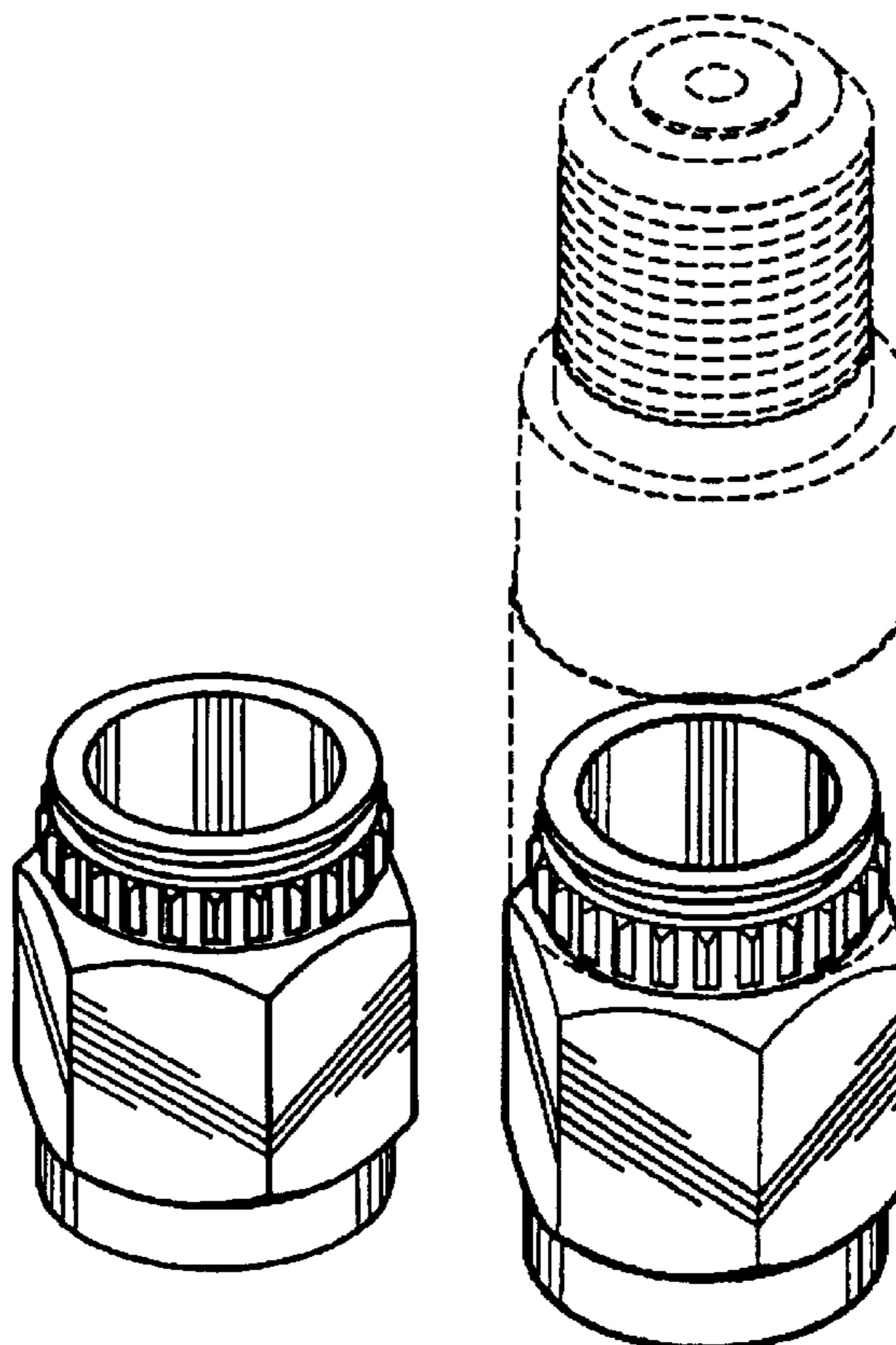
FIG. 5 is a right side elevational view thereof;

FIG. 6 is a top plan view thereof; and,

FIG. 7 is a bottom plan view thereof; and,

FIG. 8 is a perspective view thereof, wherein the broken line showing of the filter is for illustrative purposes, and forms no part of the claimed design.

1 Claim, 2 Drawing Sheets



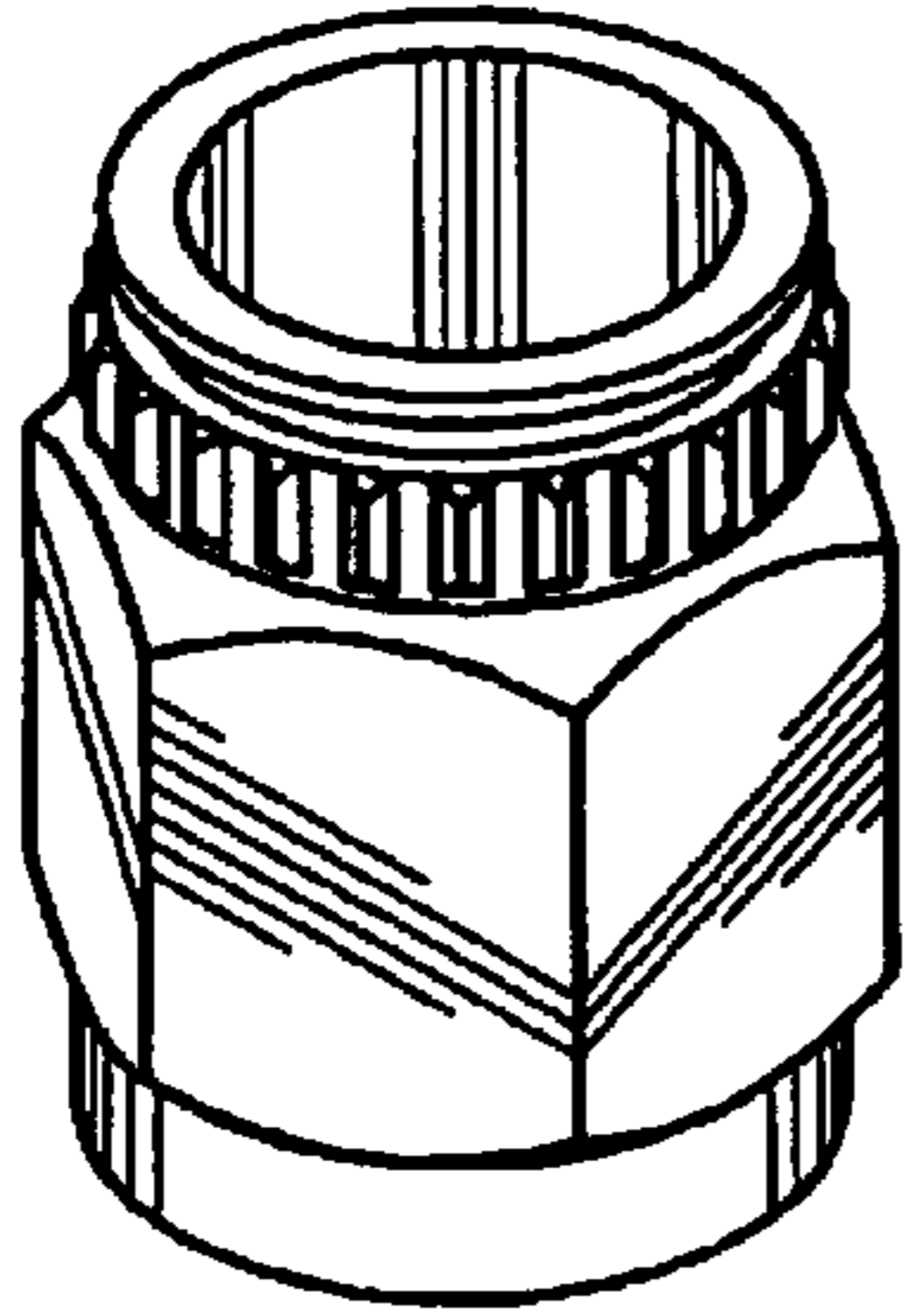


FIG. 1

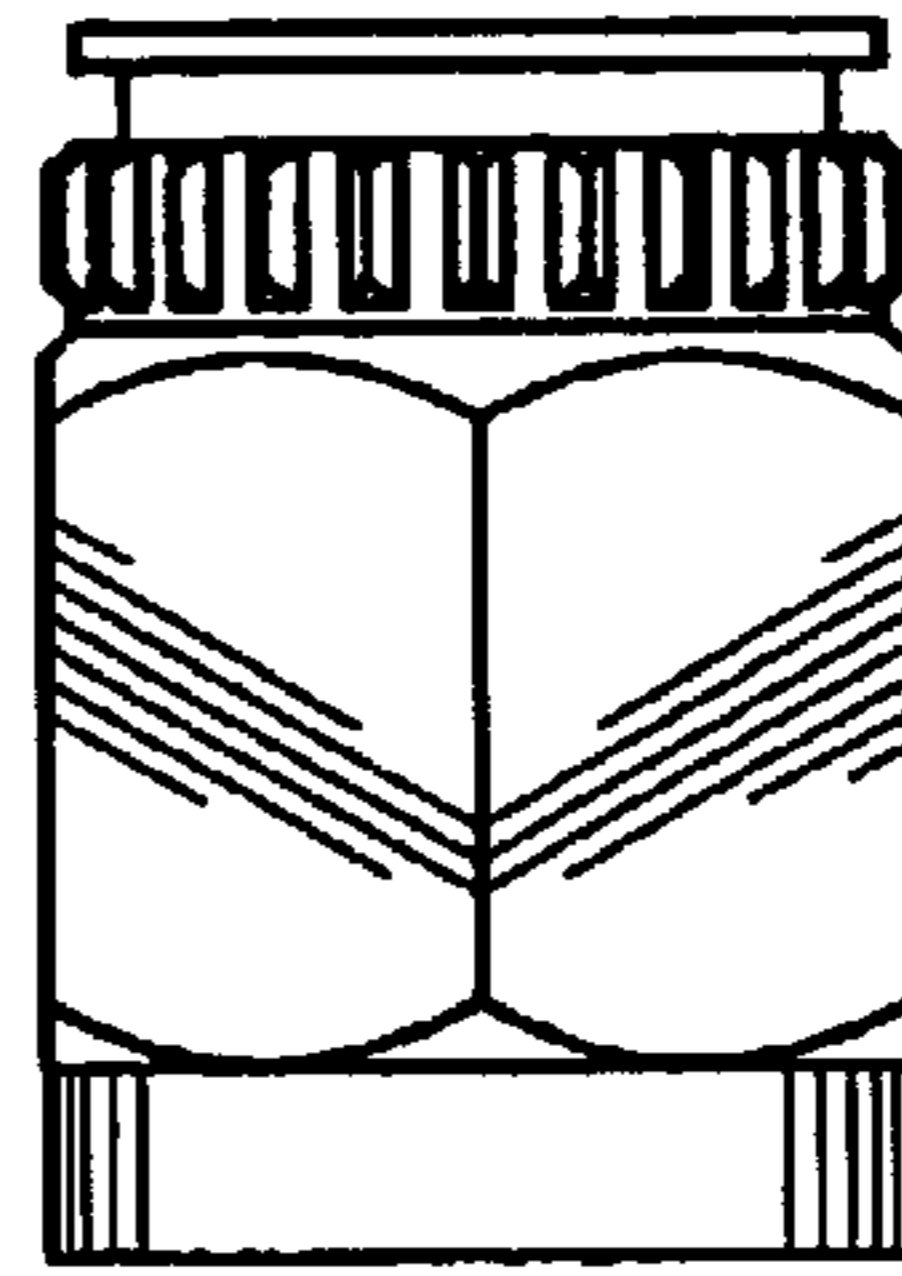


FIG. 2

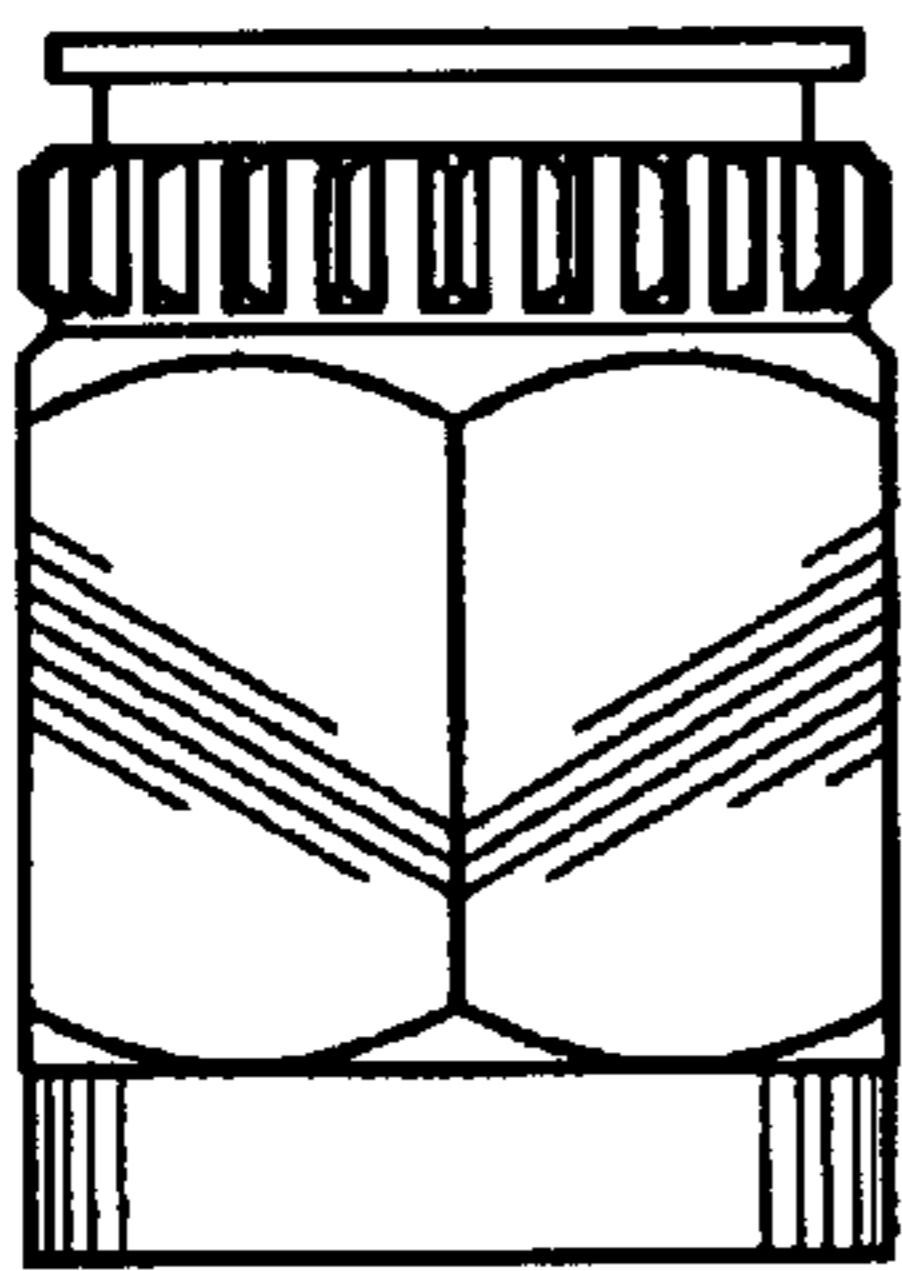


FIG. 3

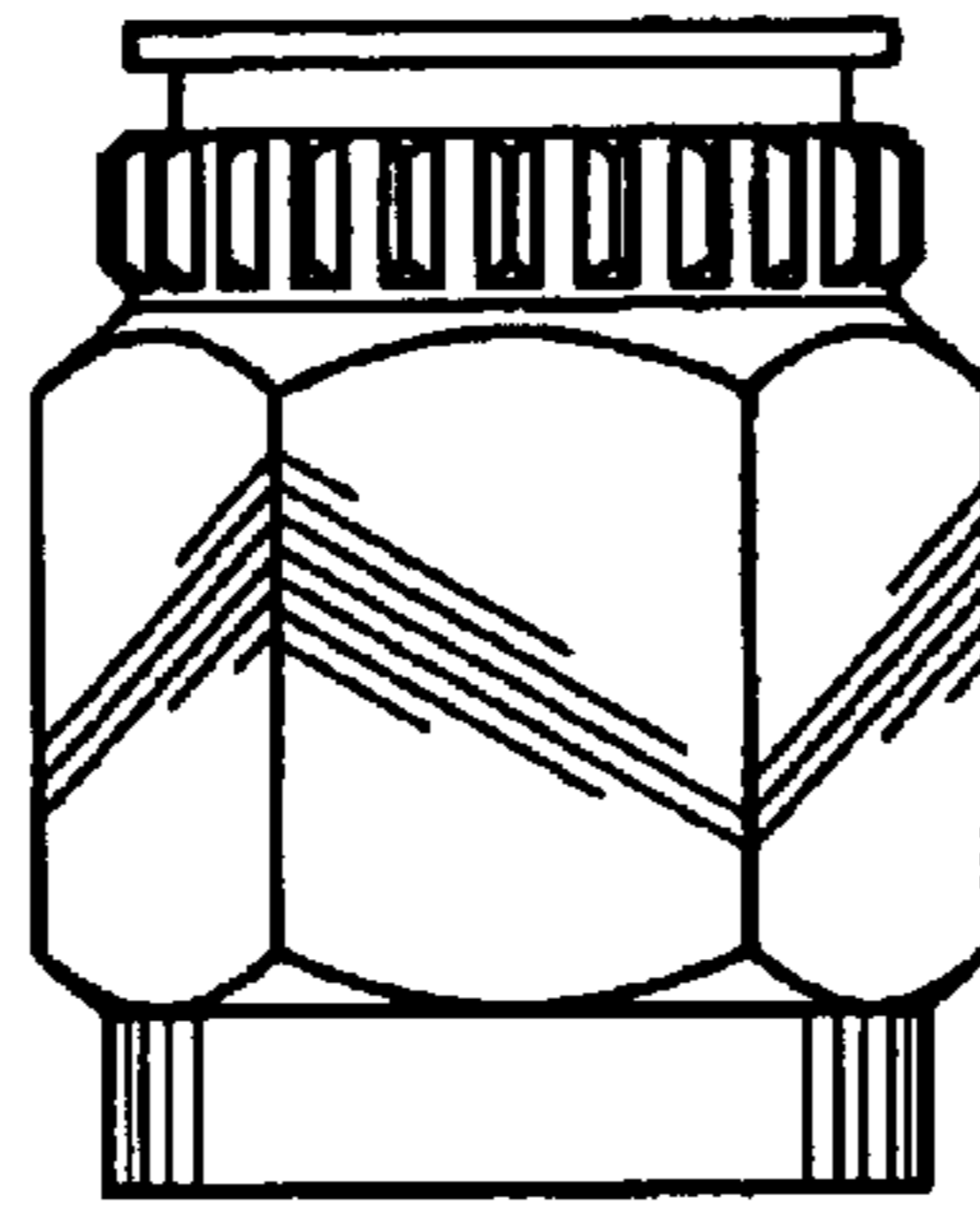


FIG. 4

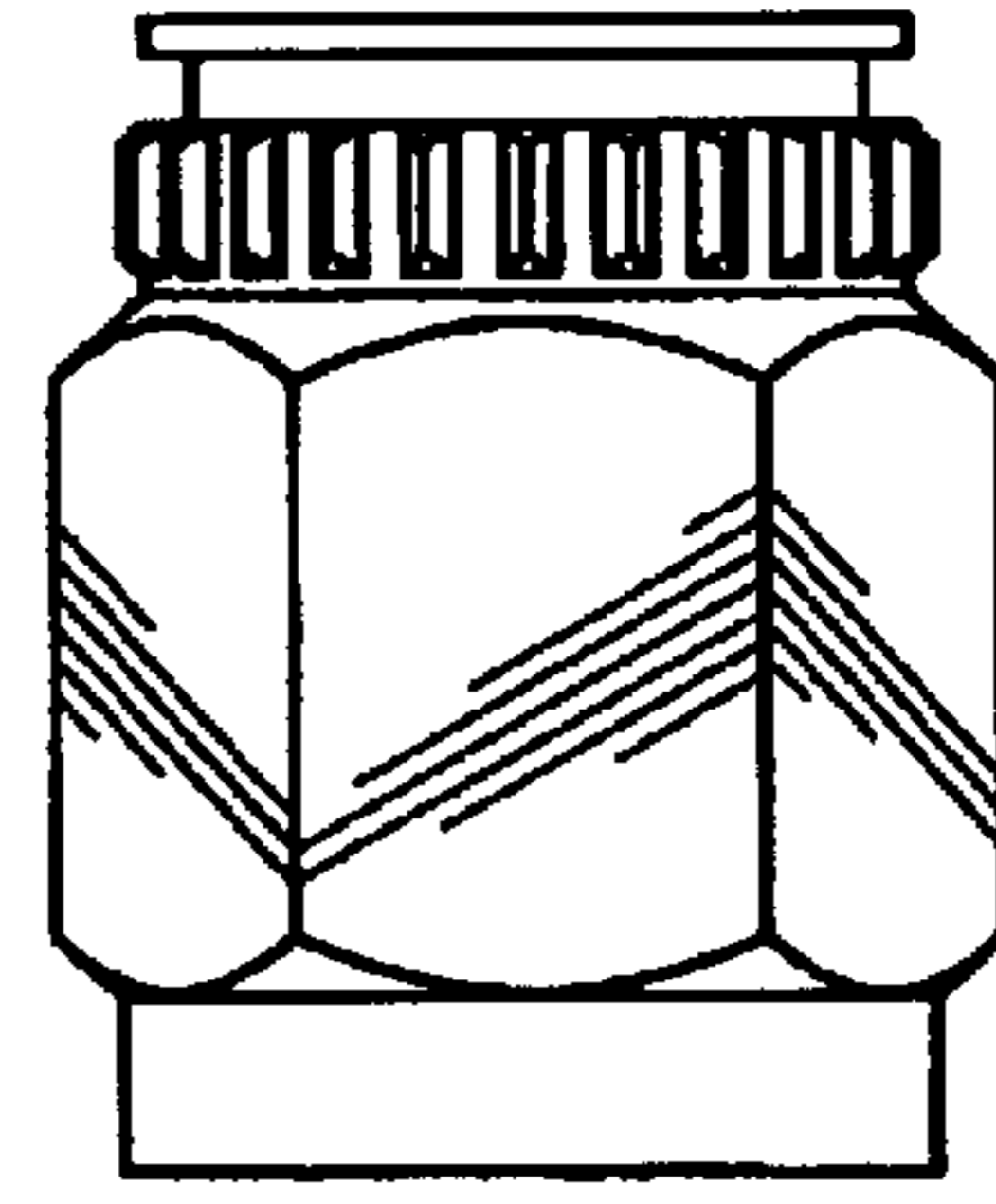


FIG. 5

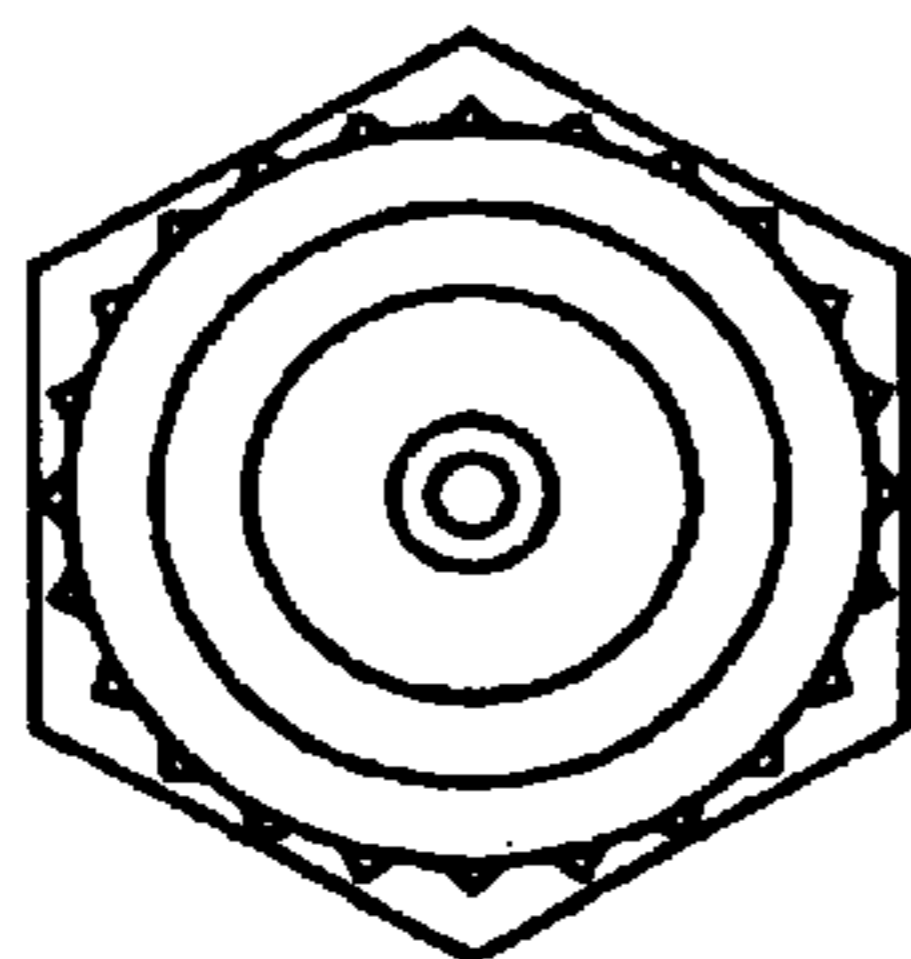


FIG. 6

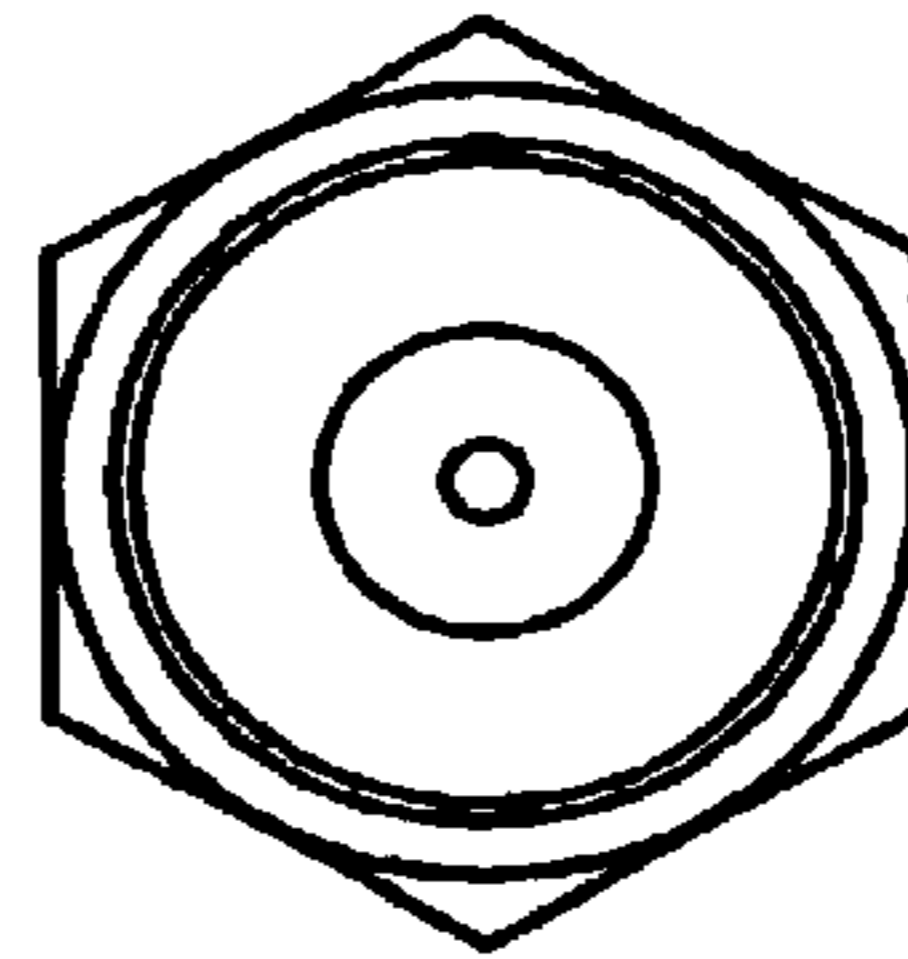


FIG. 7

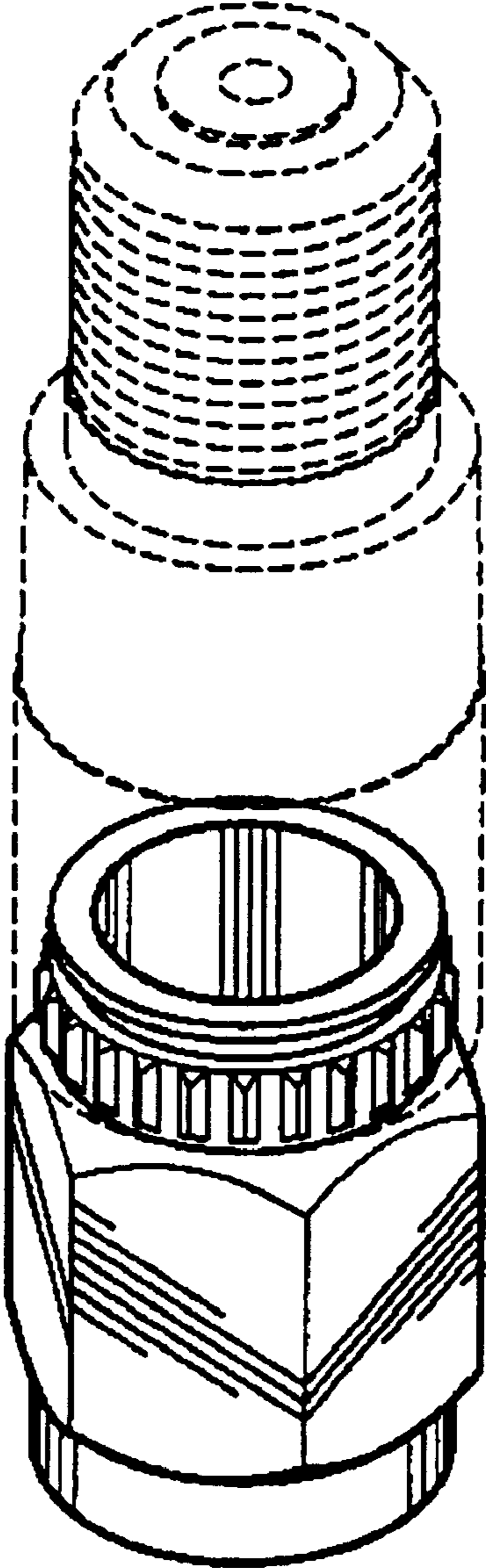


FIG. 8