



US00D511497S

(12) **United States Design Patent** (10) **Patent No.:** **US D511,497 S**
Murphy et al. (45) **Date of Patent:** **** Nov. 15, 2005**

(54) **COAXIAL CONNECTOR**

(75) Inventors: **Kathryn M. R. Murphy**, Paradise Valley, AZ (US); **Donald Andrew Burris**, Peoria, AZ (US); **James David Johnson**, Phoenix, AZ (US); **William Frederick McDade**, Glendale, AZ (US)

(73) Assignee: **Corning Gilbert, Inc.**, Glendale, AZ (US)

(**) Term: **14 Years**

(21) Appl. No.: **29/216,908**

(22) Filed: **Nov. 9, 2004**

(51) **LOC (8) Cl.** **13-03**

(52) **U.S. Cl.** **D13/151**

(58) **Field of Search** D13/133, 149, D13/151, 154, 184, 199; 439/13, 20, 22, 135, 246, 306, 480, 476.1, 578, 583-585, 805

(56) **References Cited**

U.S. PATENT DOCUMENTS

3,104,145	A	*	9/1963	Somerset	439/584
3,320,575	A	*	5/1967	Brown et al.	439/584
3,587,033	A	*	6/1971	Brorein et al.	439/322
4,059,330	A	*	11/1977	Shirey	439/578
4,213,664	A	*	7/1980	McClenan	439/95
D355,641	S	*	2/1995	Down	D13/151
D440,539	S	*	4/2001	Montena	D13/133
D440,939	S	*	4/2001	Montena	D13/133
D476,957	S	*	7/2003	Chudoba et al.	D13/151

* cited by examiner

Primary Examiner—Stella Reid
Assistant Examiner—Daniel Bui

(74) *Attorney, Agent, or Firm*—Cahill, von Hellens & Glazer, P.L.C.

(57) **CLAIM**

The ornamental design for a coaxial connector, as shown and described.

DESCRIPTION

Design patent application Ser. No. 29/216,938 filed concurrently herewith, entitled “Coaxial Connector;” naming James David Johnson, et al. as the inventors, commonly assigned to Corning Gilbert Inc.; Design patent application Ser. No. 29/216,920 filed concurrently herewith, entitled “Coaxial Connector;” naming William Frederick McDade, et al. as the inventors, commonly assigned to Corning Gilbert Inc.; and Design patent application Ser. No. 29/216,935 filed concurrently herewith, entitled “Coaxial Connector;” naming Kathryn M.R. Murphy, et al. as the inventors, commonly assigned to Corning Gilbert Inc.

FIG. 1 is a top, side and, front perspective view of a coaxial connector showing our new design;

FIG. 2 is a bottom, side and rear perspective view thereof;

FIG. 3 is a top plan view thereof;

FIG. 4 is a right side elevational view thereof;

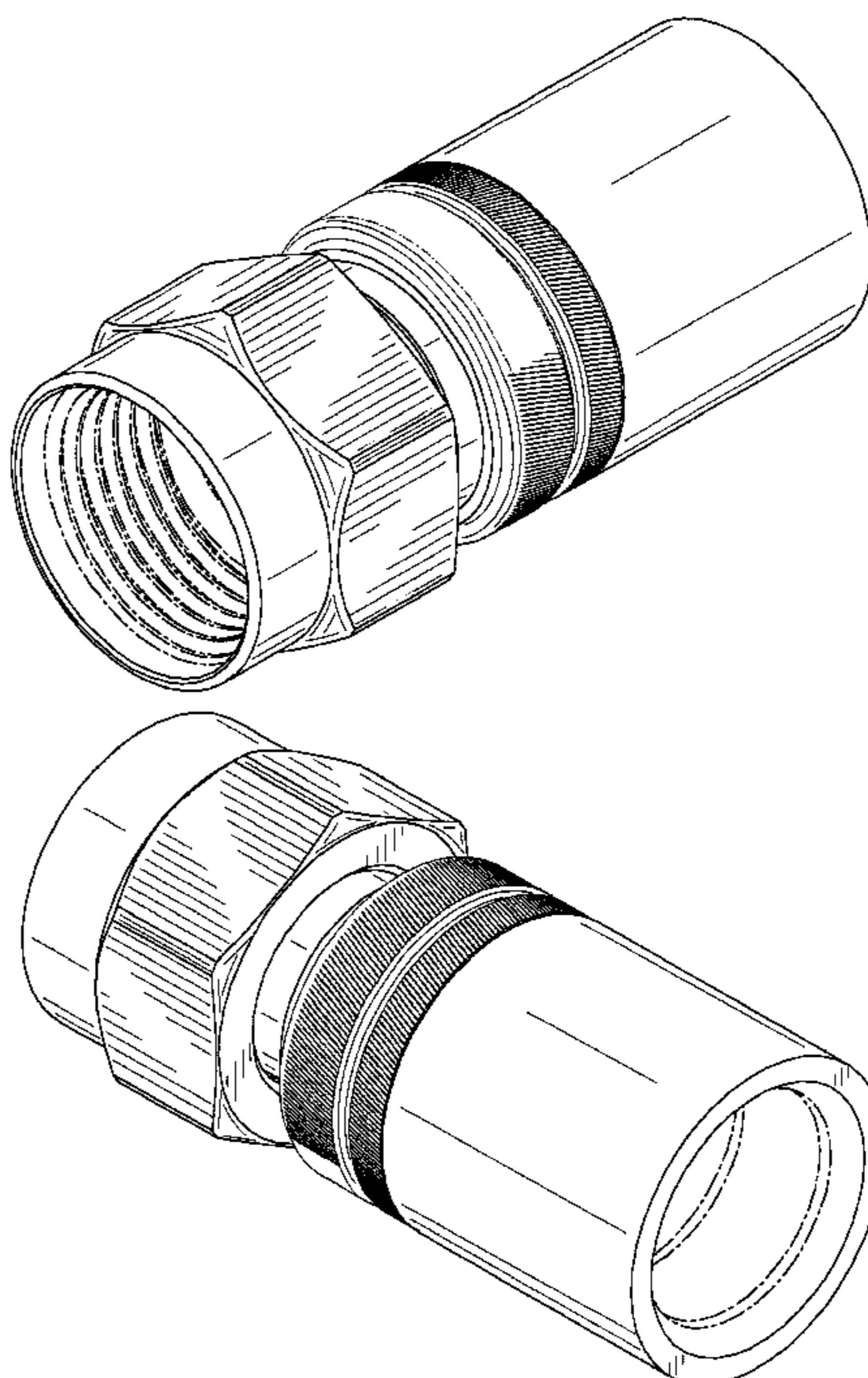
FIG. 5 is a bottom plan view thereof;

FIG. 6 is a front end view thereof; and,

FIG. 7 is a rear end view thereof.

The purpose of broken lines in the drawing, including broken lines internal to the coaxial connector, merely illustrate environmental structure of boundaries that form no part of the design to be patented via the present application.

1 Claim, 6 Drawing Sheets



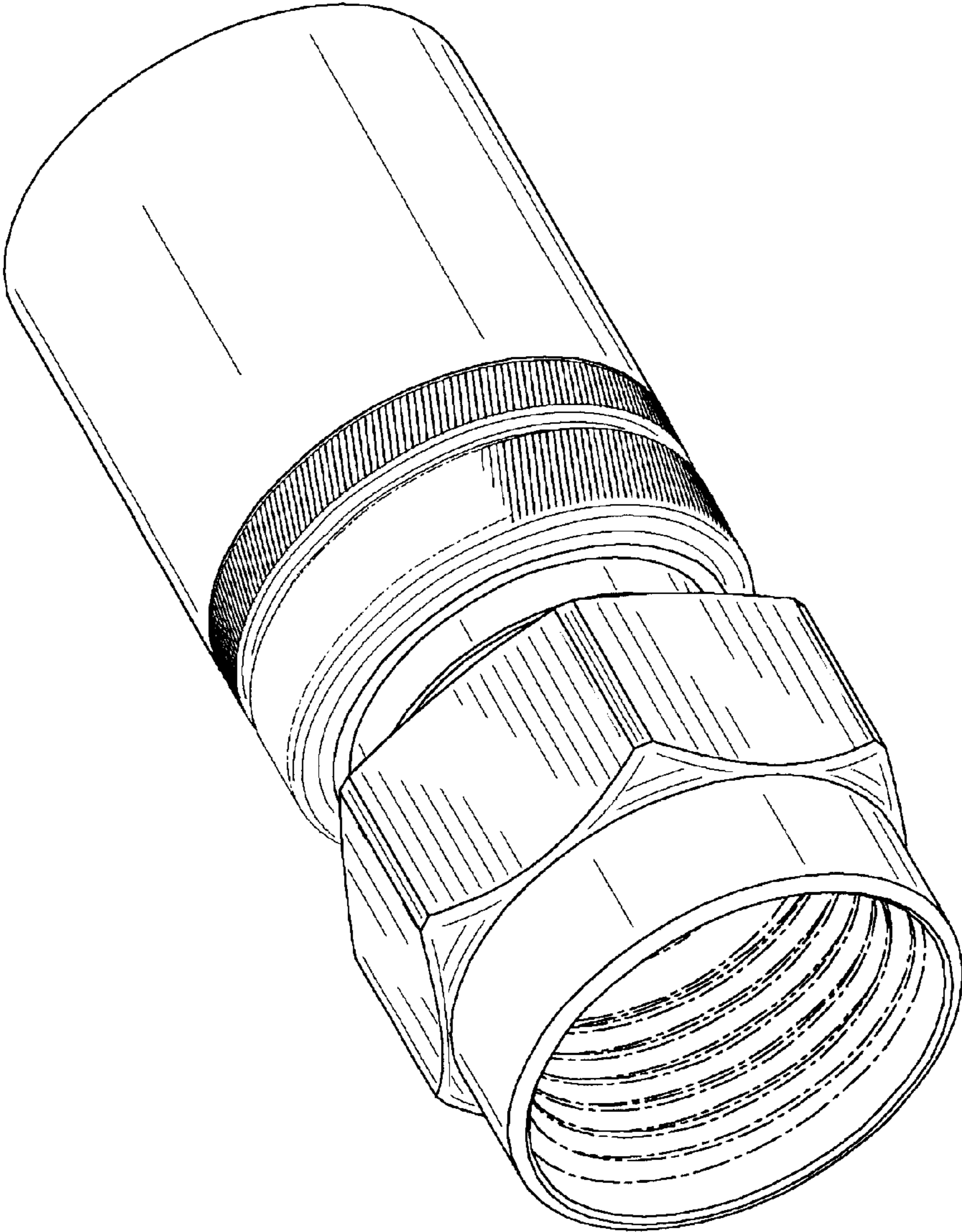


FIG. 1

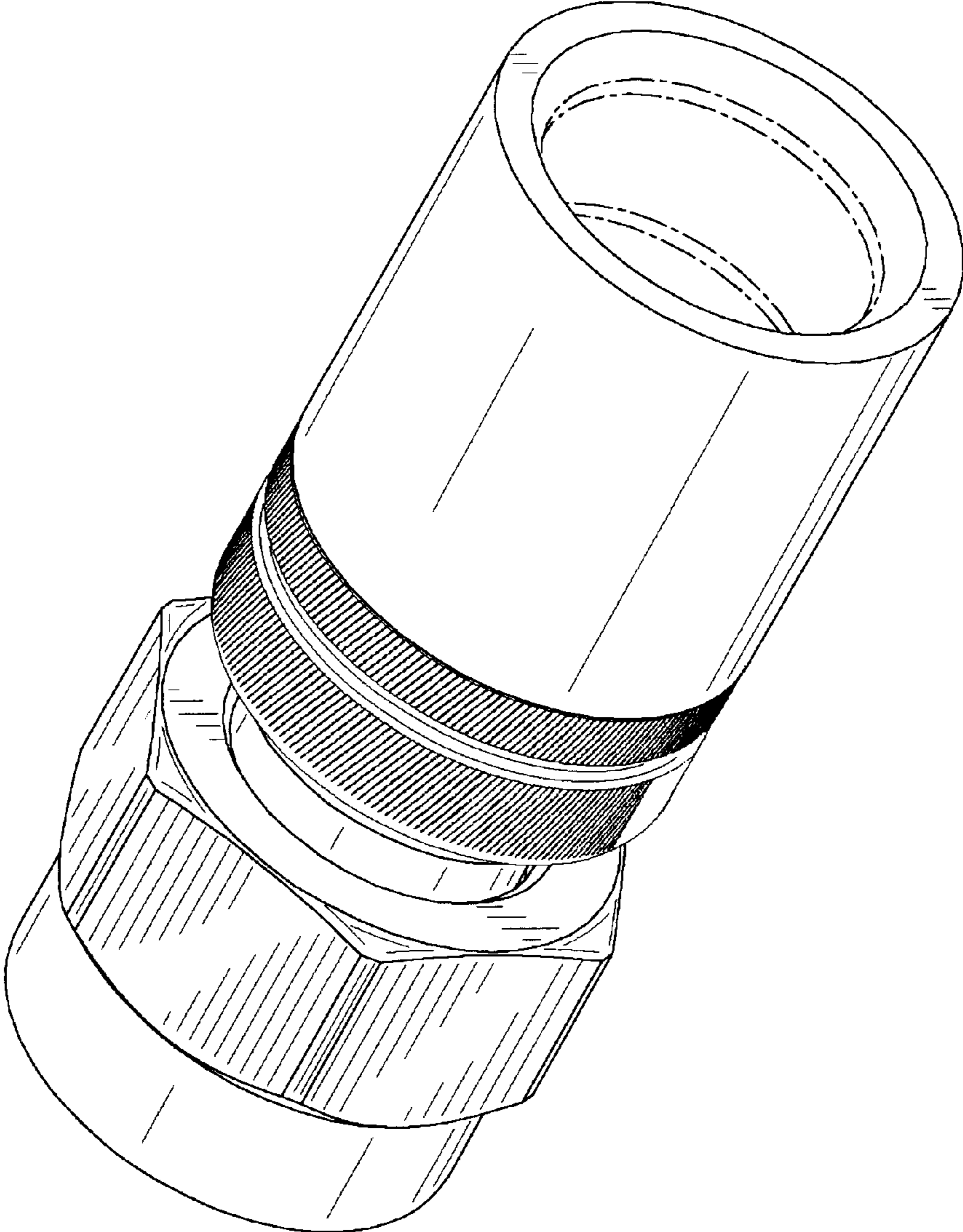


FIG. 2

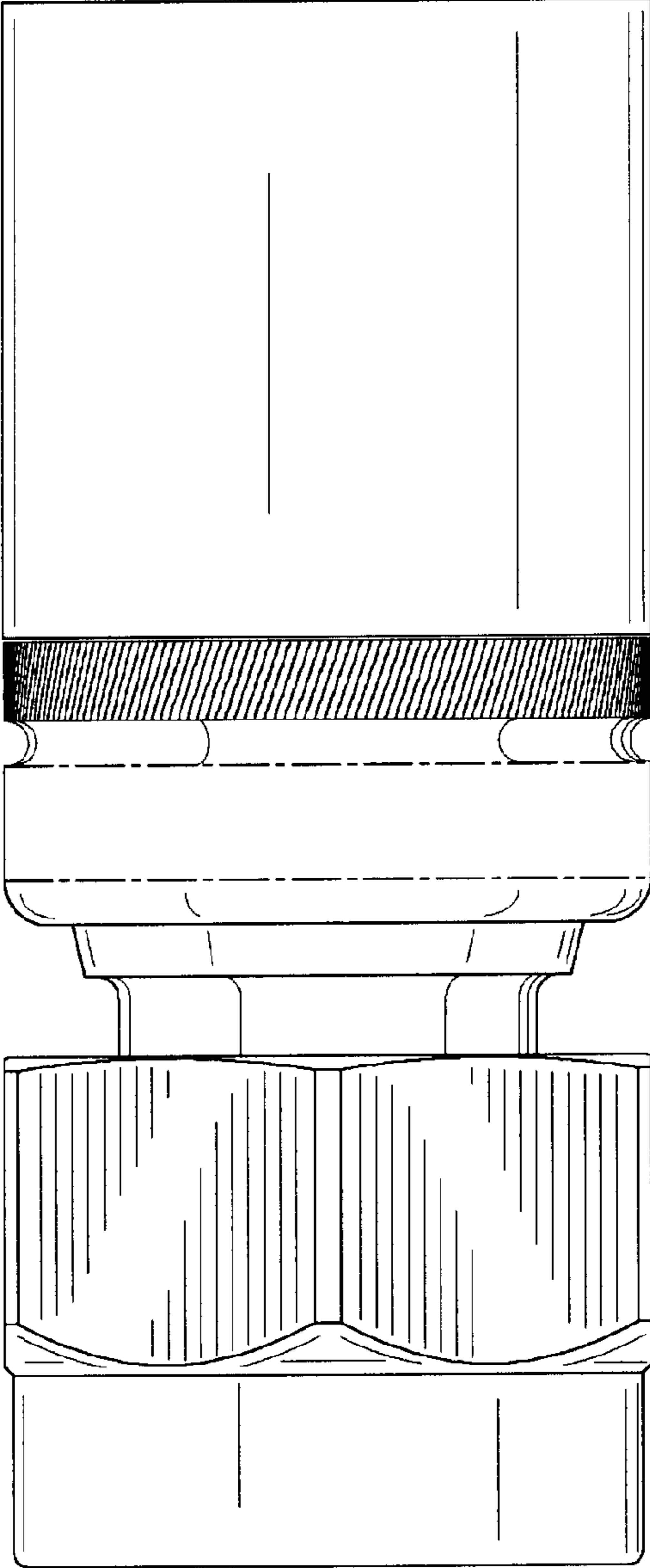


FIG. 3

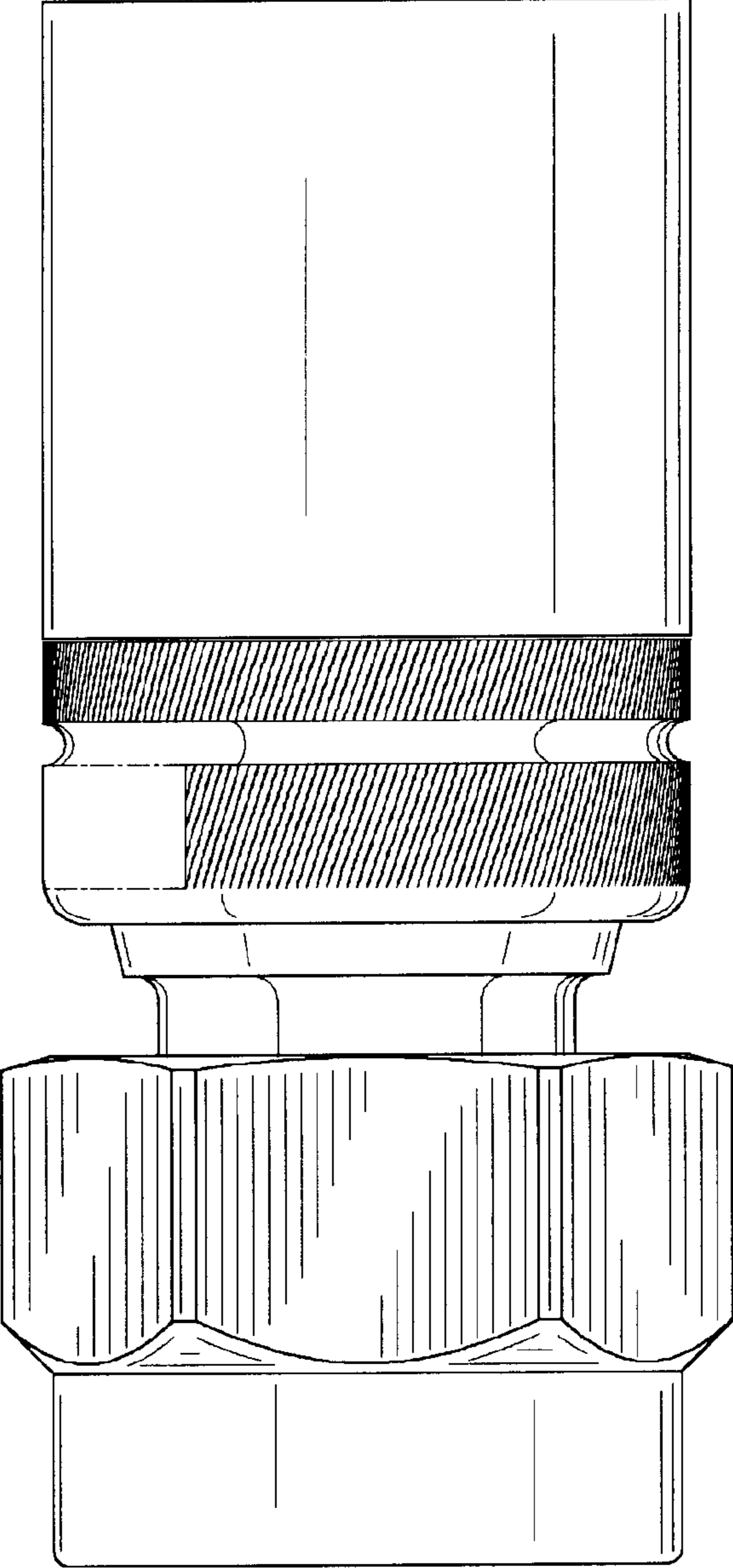


FIG. 4

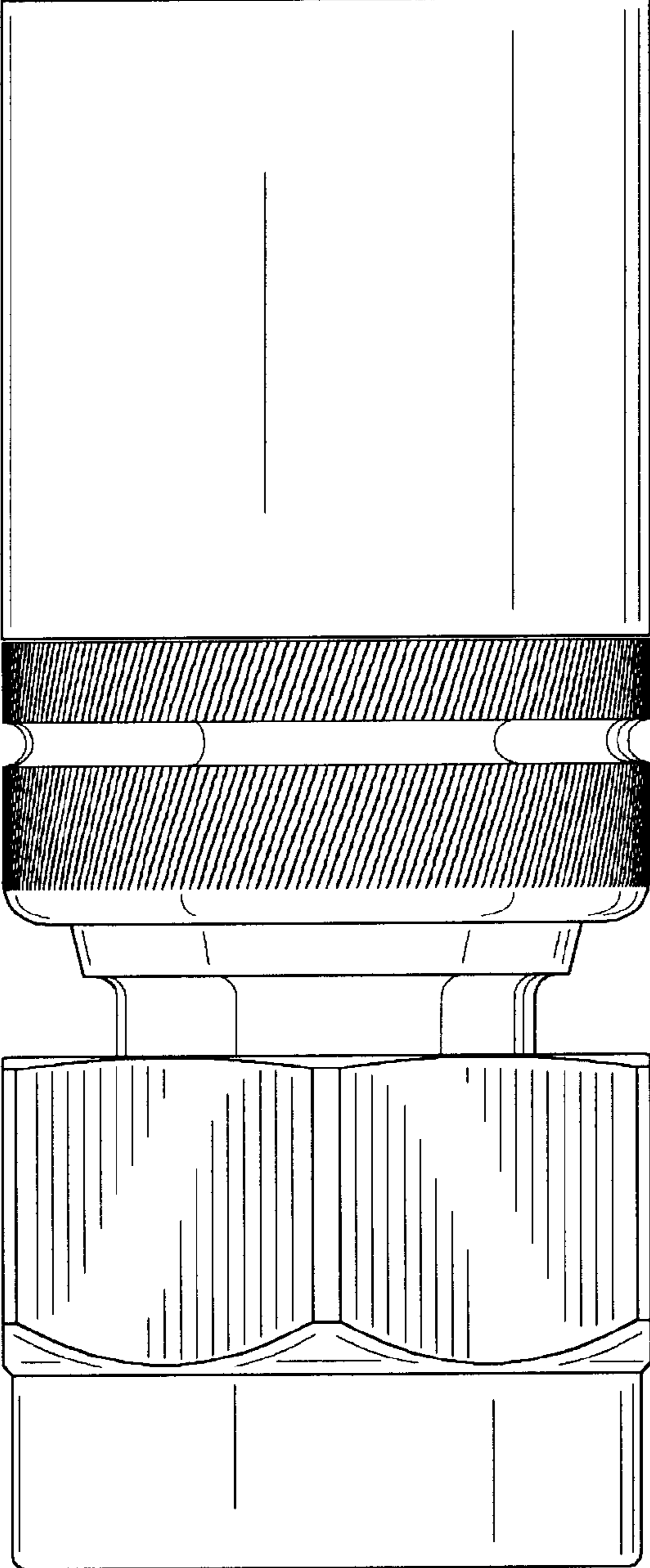


FIG. 5

FIG. 7

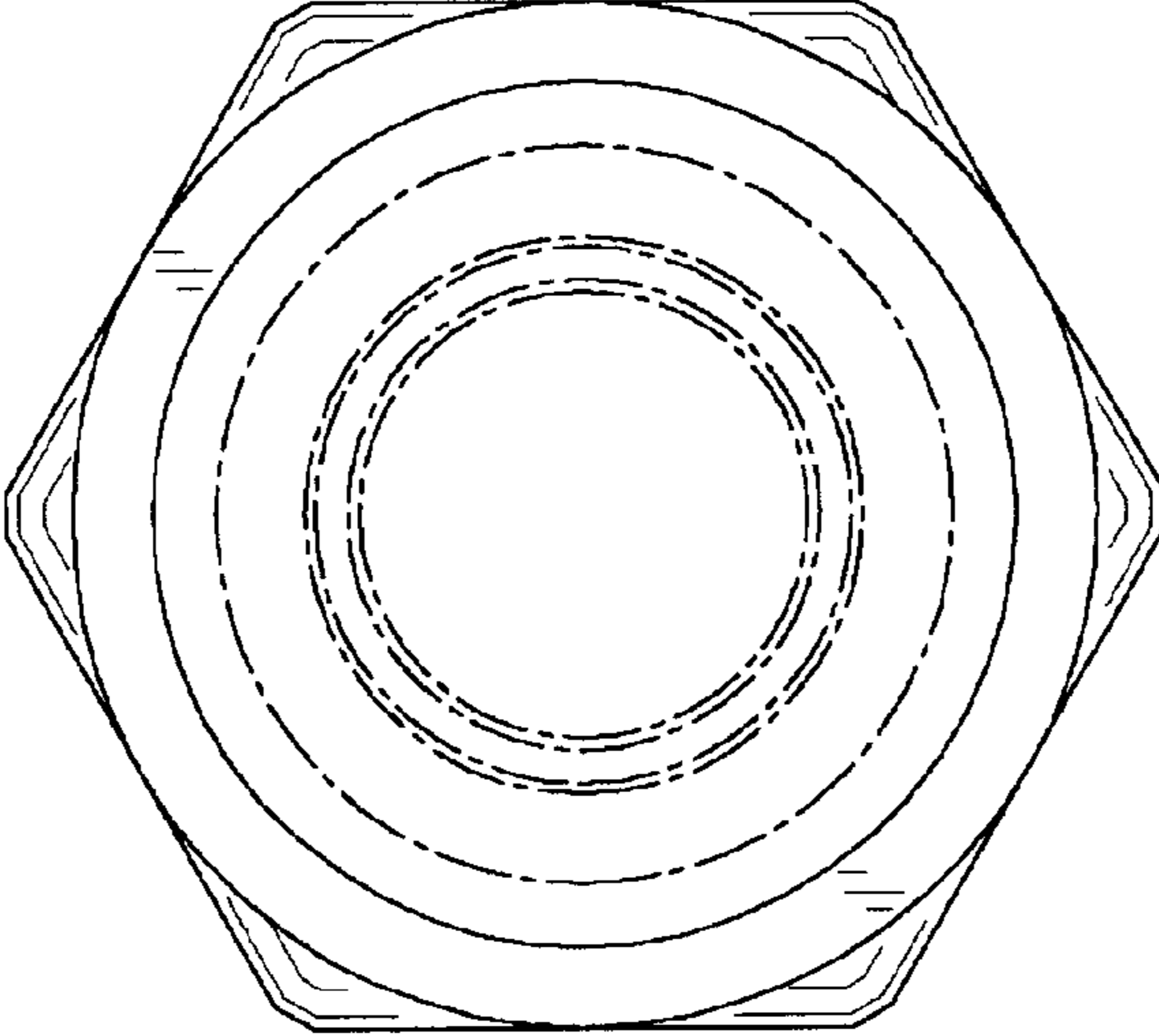


FIG. 6

