

US00D511495S

(12) **United States Design Patent** (10) **Patent No.:** **US D511,495 S**
Okubo et al. (45) **Date of Patent:** **** Nov. 15, 2005**

(54) **WIND POWER GENERATOR**

(75) Inventors: **Kazuo Okubo, Ise (JP); Kazumichi Kato, Ise (JP); Toshio Miki, Ise (JP); Hiroo Mike, Ise (JP); Junichi Kurokawa, Ise (JP)**

(73) Assignee: **Shinko Electric Co., Ltd. (JP)**

(**) Term: **14 Years**

(21) Appl. No.: **29/201,606**

(22) Filed: **Mar. 18, 2004**

(30) **Foreign Application Priority Data**

Sep. 25, 2003 (JP) 2003-027971

(51) **LOC (8) Cl.** **13-01**

(52) **U.S. Cl.** **D13/115**

(58) **Field of Search** D13/110-118, D13/184, 199; 290/43-44, 52-55; 415/2.1, 3.1, 122.1, 209.1; 416/176-177

(56) **References Cited**

U.S. PATENT DOCUMENTS

D122,433 S * 9/1940 Edens D15/1
3,918,839 A * 11/1975 Blackwell et al. 416/175

4,247,253 A * 1/1981 Seki et al. 416/44
5,289,041 A * 2/1994 Holley 290/44
5,336,933 A * 8/1994 Ernster 290/55
6,379,115 B1 * 4/2002 Hirai 416/17
2005/0019151 A1 * 1/2005 Bezemer 415/4.4

* cited by examiner

Primary Examiner—Stella Reid

Assistant Examiner—Daniel Bui

(74) *Attorney, Agent, or Firm*—Steptoe & Johnson LLP

(57) **CLAIM**

The ornamental design for a wind power generator, as shown and described.

DESCRIPTION

FIG. 1 is a perspective view of a wind power generator. FIG. 2 is a front elevation view thereof. FIG. 3 is a rear elevation view thereof. FIG. 4 is a top plan view thereof. FIG. 5 is a bottom plan view thereof. FIG. 6 is a left side elevation view thereof. FIG. 7 is a right side elevation view thereof; and, FIG. 8 is an enlarged cross-sectional view of line A—A taking along line 8—8 in FIG. 2.

1 Claim, 8 Drawing Sheets

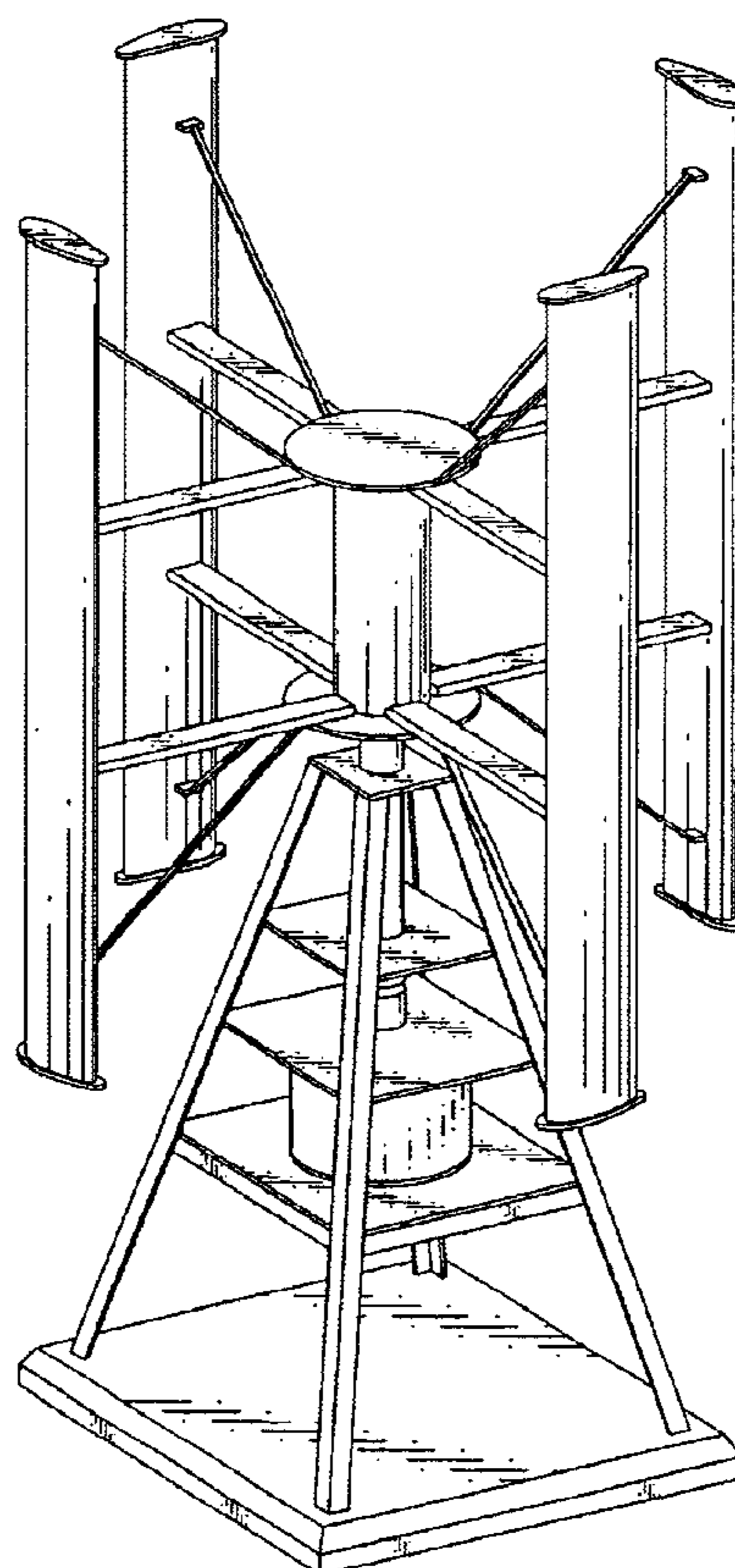


FIG. 1

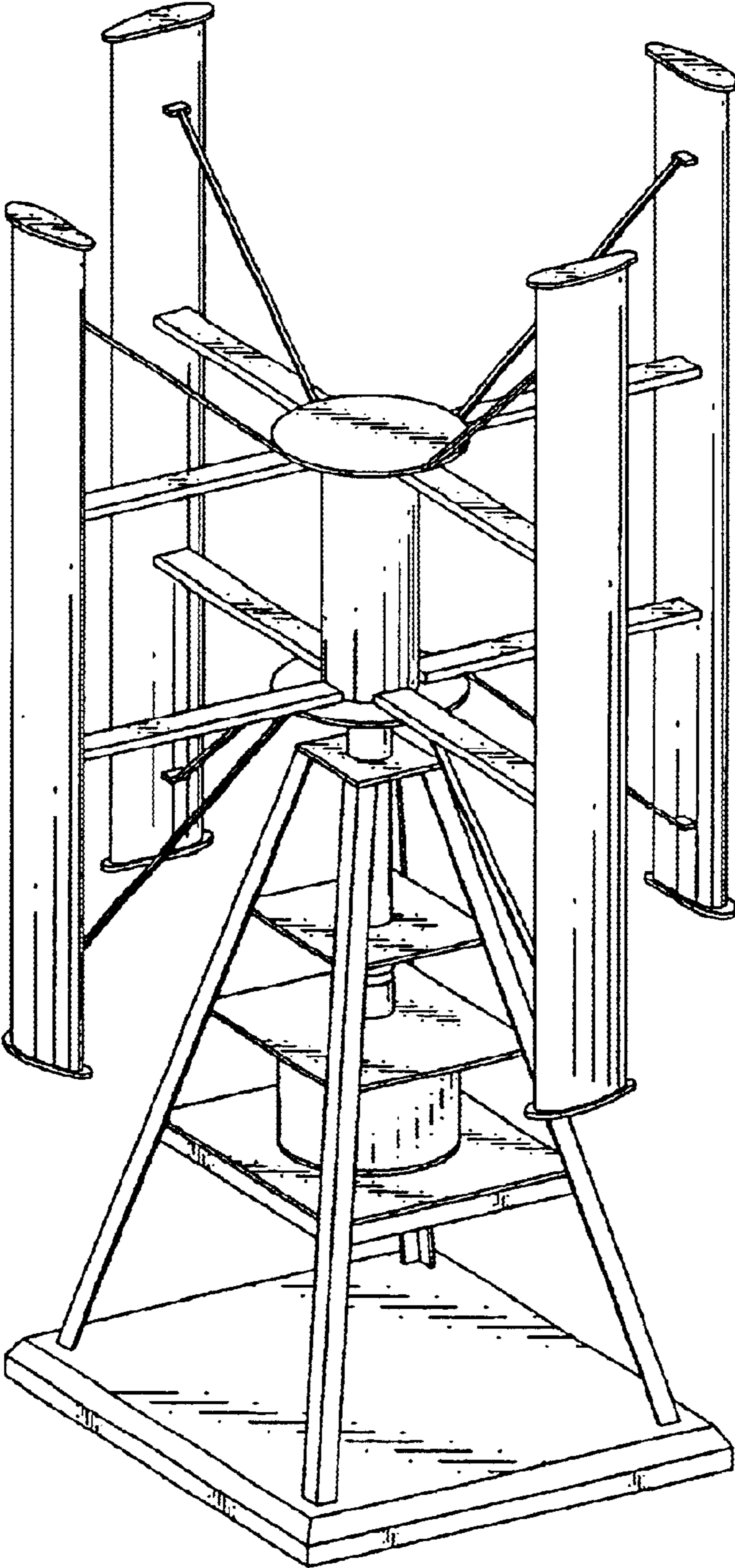


FIG. 2

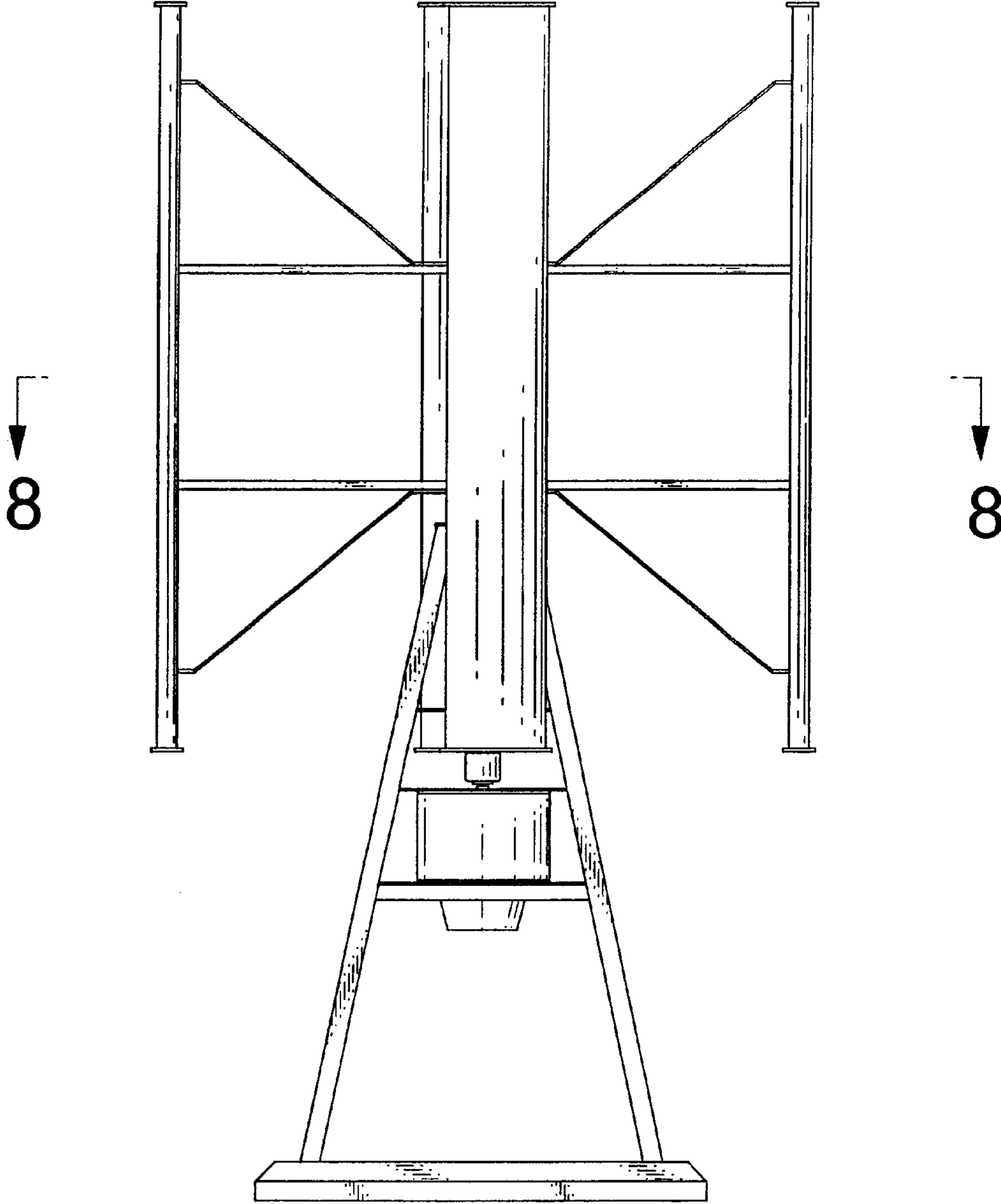


FIG. 3

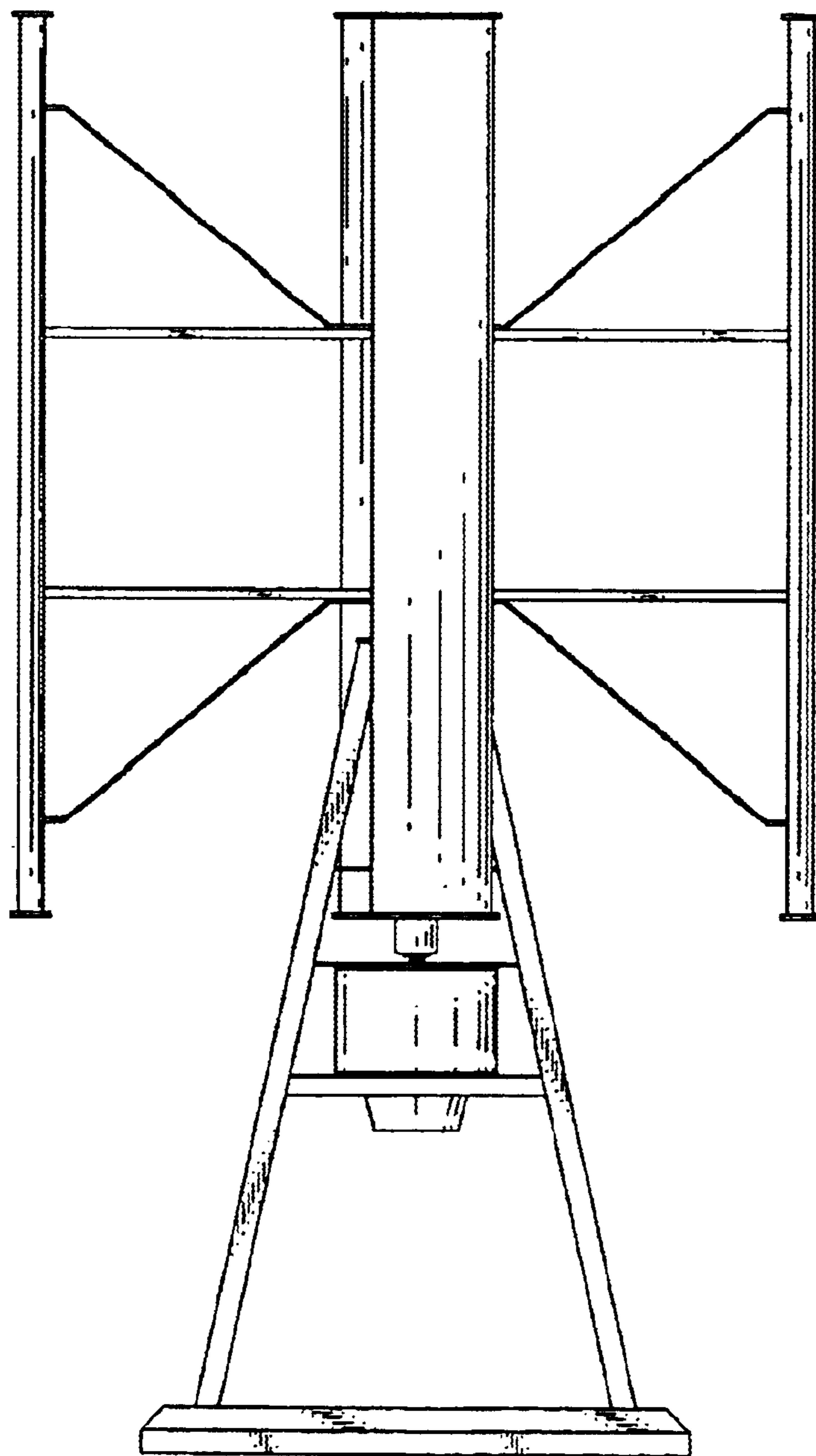


FIG. 4

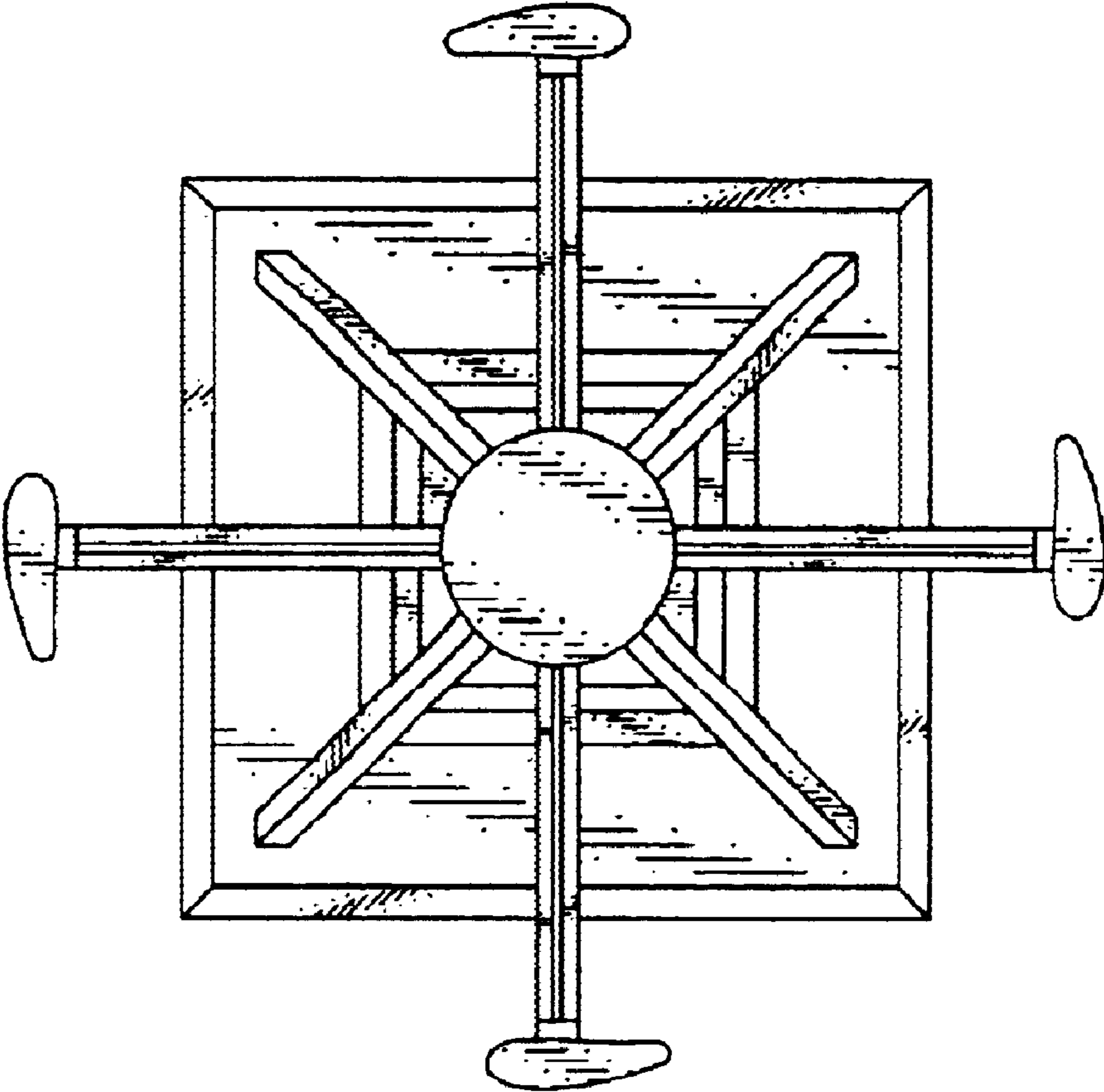


FIG. 5

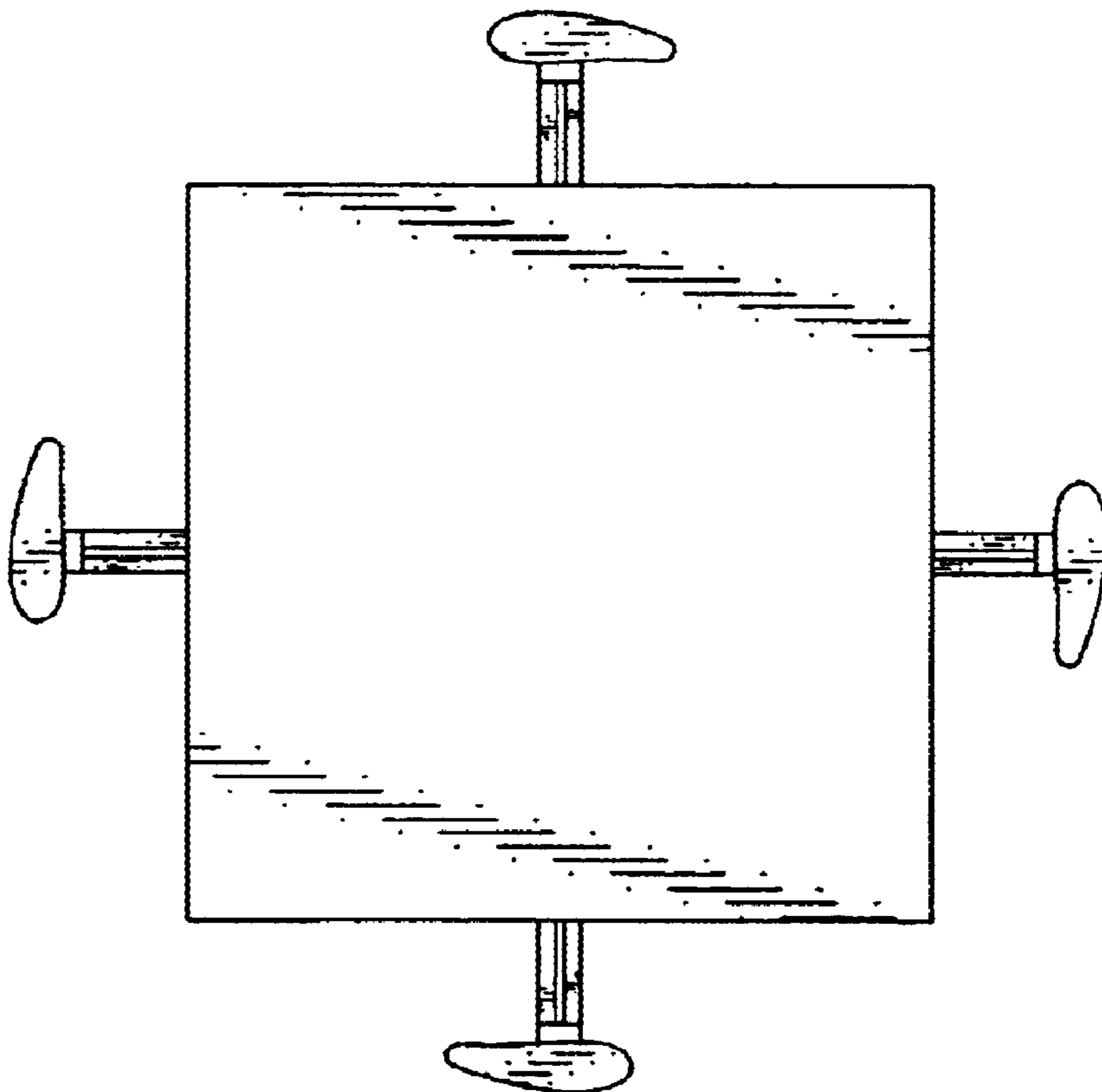


FIG. 6

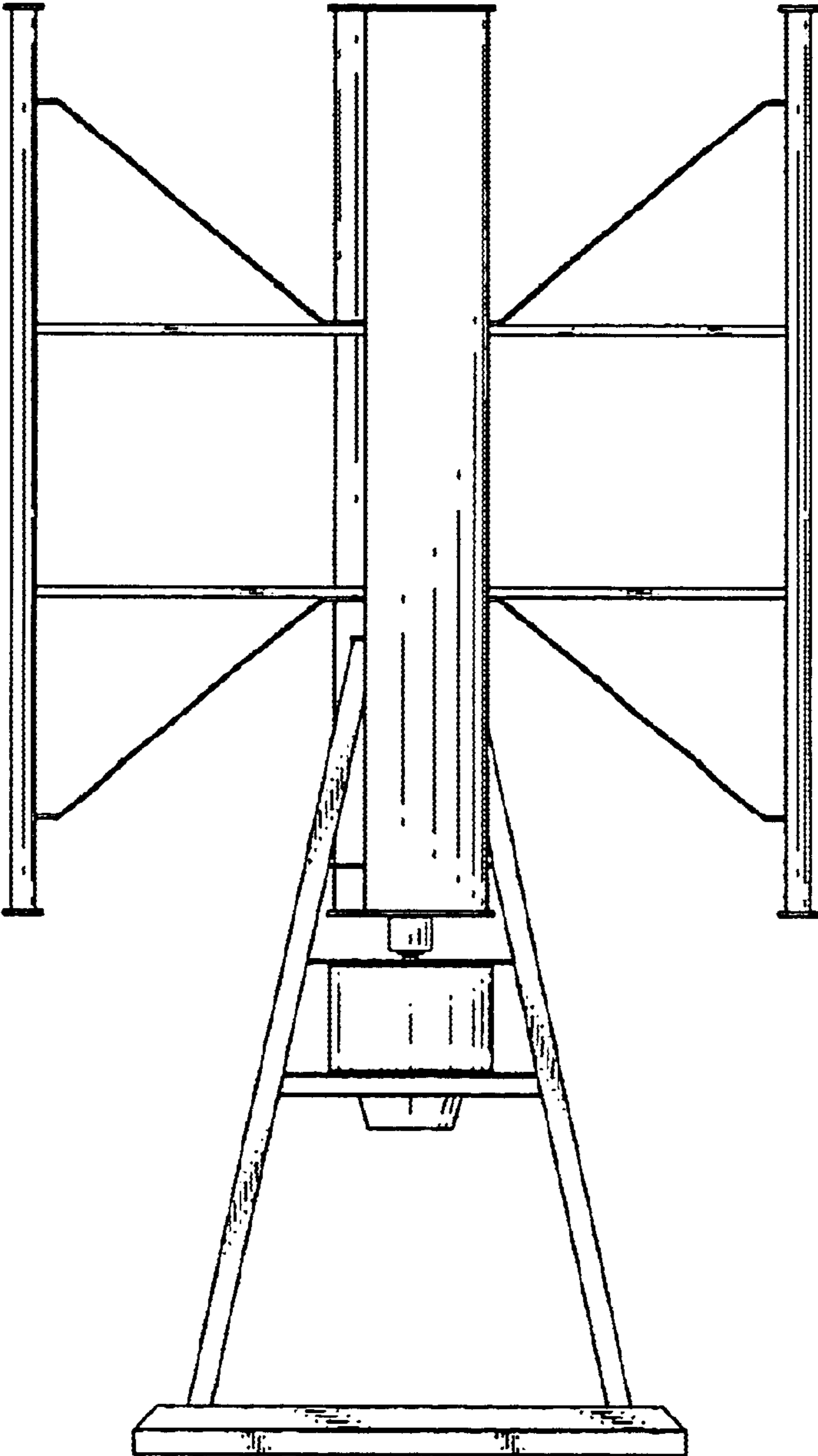


FIG. 7

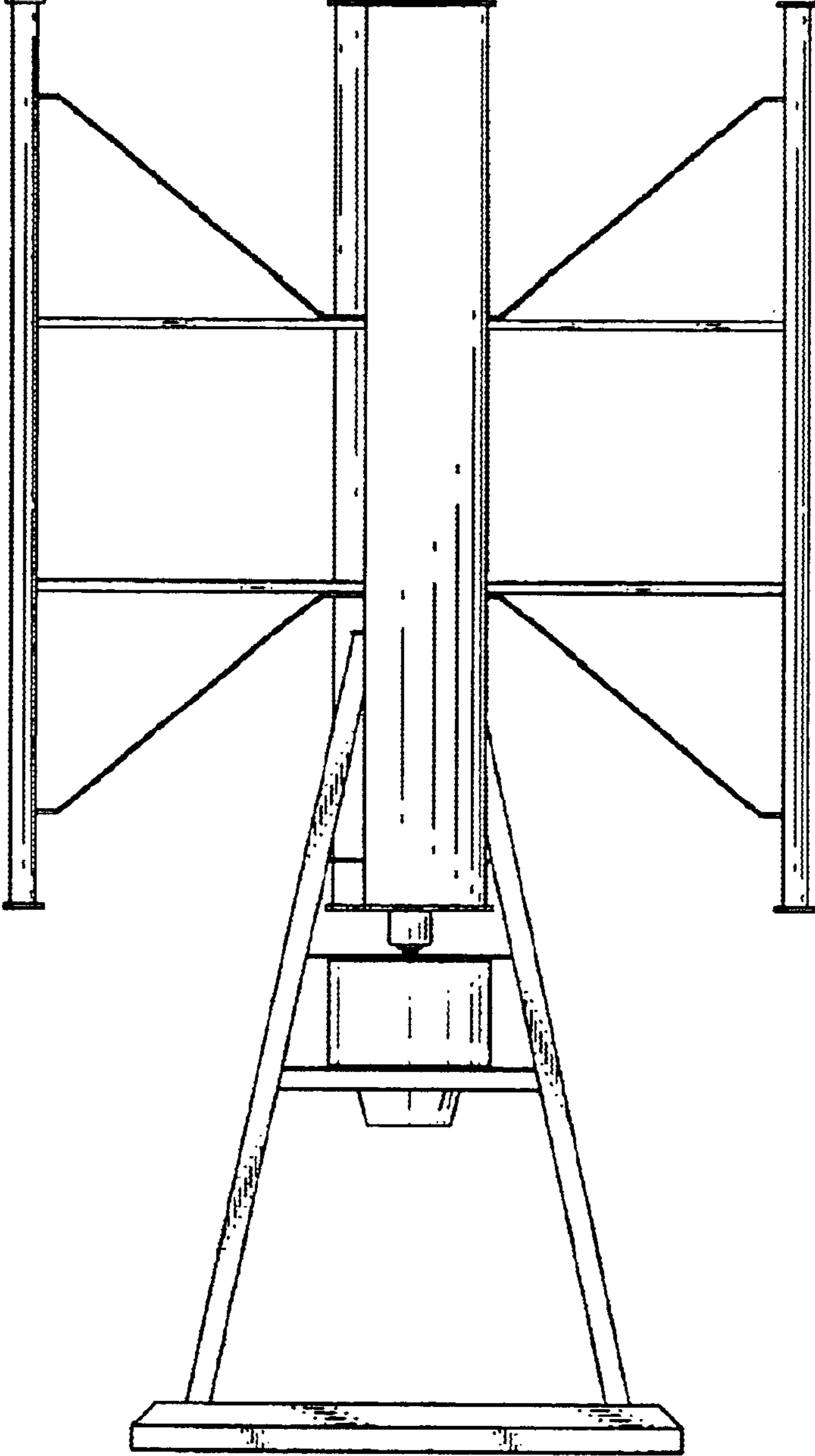


FIG. 8

