



US00D511491S

(12) **United States Design Patent**
Hriscu et al.

(10) **Patent No.:** **US D511,491 S**

(45) **Date of Patent:** **** Nov. 15, 2005**

(54) **PORTABLE BATTERY JUMPER/CHARGER**

(75) Inventors: **Marius George Hriscu**, Vancouver (CA); **Timothy Donald Attridge**, West Vancouver (CA); **Tony Ziccardi**, Vancouver (CA); **Lawrence C. Neill**, Vancouver (CA); **Neena Rahemtulla**, Vancouver (CA); **Alexander Jeffrey Feldman**, Vancouver (CA); **Matthew Sean Kuzminski**, Vancouver (CA); **Robbie Gordon Roberts**, New Westminster (CA); **John Hung**, North Vancouver (CA); **Peter Tai Kwong Cheung**, Richmond (CA)

(73) Assignee: **Xantrex International**, St. Michael (BB)

(**) Term: **14 Years**

(21) Appl. No.: **29/206,894**

(22) Filed: **Jun. 7, 2004**

(51) **LOC (8) Cl.** **13-02**

(52) **U.S. Cl.** **D13/107**

(58) **Field of Search** D3/282; D13/106-108, D13/110; D14/251, 253; 307/64, 66, 150; 320/104, 105, 107-116, 132

(56) **References Cited**

U.S. PATENT DOCUMENTS

D420,324 S * 2/2000 Wan D13/107
6,215,273 B1 * 4/2001 Shy 320/105
D444,125 S * 6/2001 Shy D13/110
D462,320 S * 9/2002 Krieger et al. D13/107

D475,966 S * 6/2003 Chunn et al. D13/108
D482,869 S * 12/2003 Chen D3/282
D483,326 S * 12/2003 Krieger et al. D13/107
D486,446 S * 2/2004 Hriscu et al. D13/110
D491,139 S * 6/2004 Krieger et al. D13/107
D491,140 S * 6/2004 Krieger et al. D13/107
D491,141 S * 6/2004 Krieger et al. D13/107
D493,421 S * 7/2004 Krieger et al. D13/107
D493,770 S * 8/2004 Krieger et al. D13/107

OTHER PUBLICATIONS

3 sheets of drawings FORM³, Xantrex Technology Inc., Power Pack Concepts 02.11.13.

* cited by examiner

Primary Examiner—Alan P. Douglas
Assistant Examiner—Rosemary Tarca

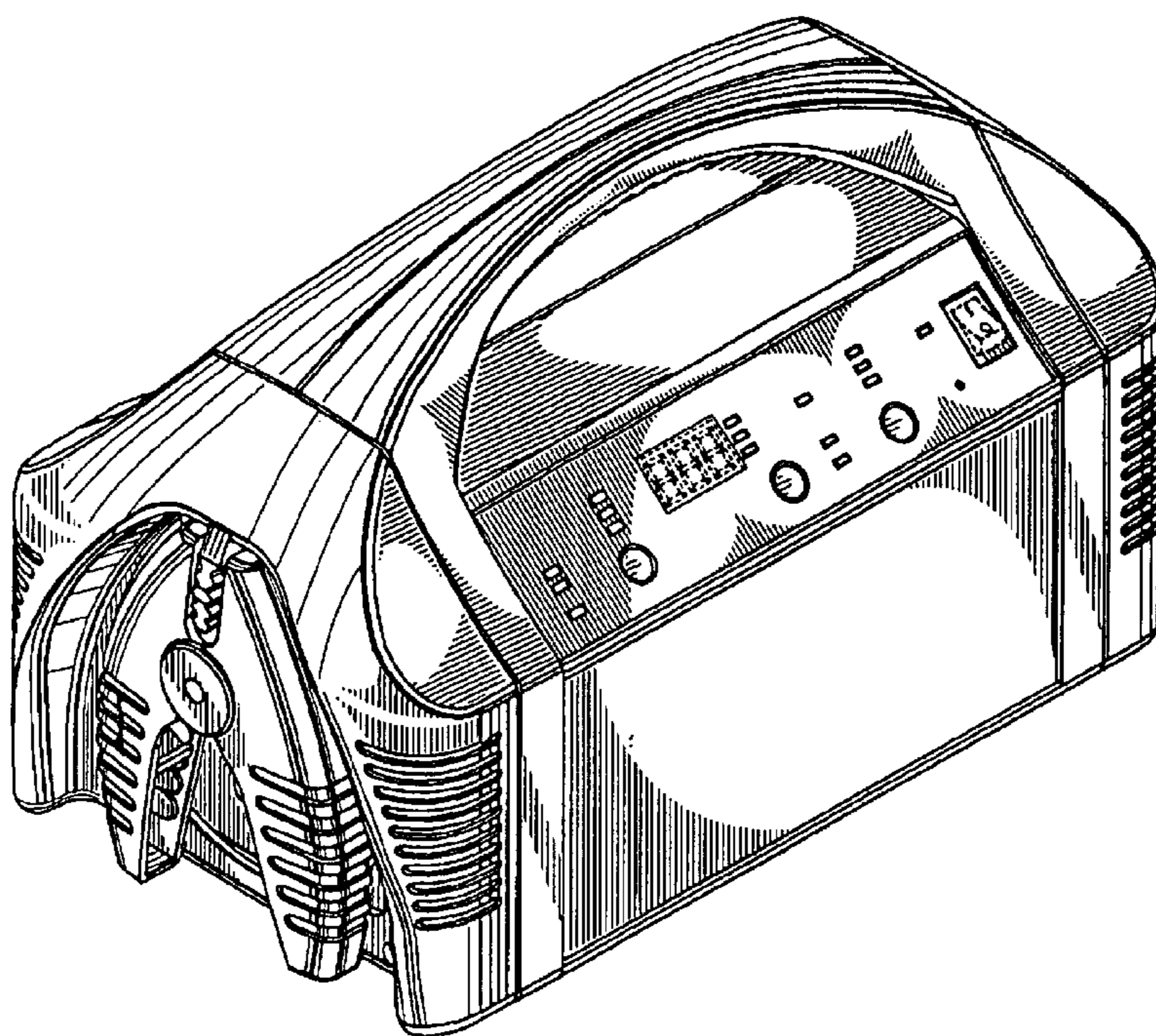
(57) **CLAIM**

The ornamental design for portable battery jumper/charger, as shown and described.

DESCRIPTION

FIG. 1 is a top perspective view of a portable battery jumper/charger showing our new design; FIG. 2 is a top plan view thereof; FIG. 3 is a front elevational view thereof; FIG. 4 is a bottom plan view thereof; FIG. 5 is a rear elevational view thereof; FIG. 6 is a left side elevational view thereof; and, FIG. 7 is a right side elevational view thereof. The broken lines displayed in the figures depict environmental structure for illustrative purposes only and form no part of the claimed design.

1 Claim, 4 Drawing Sheets



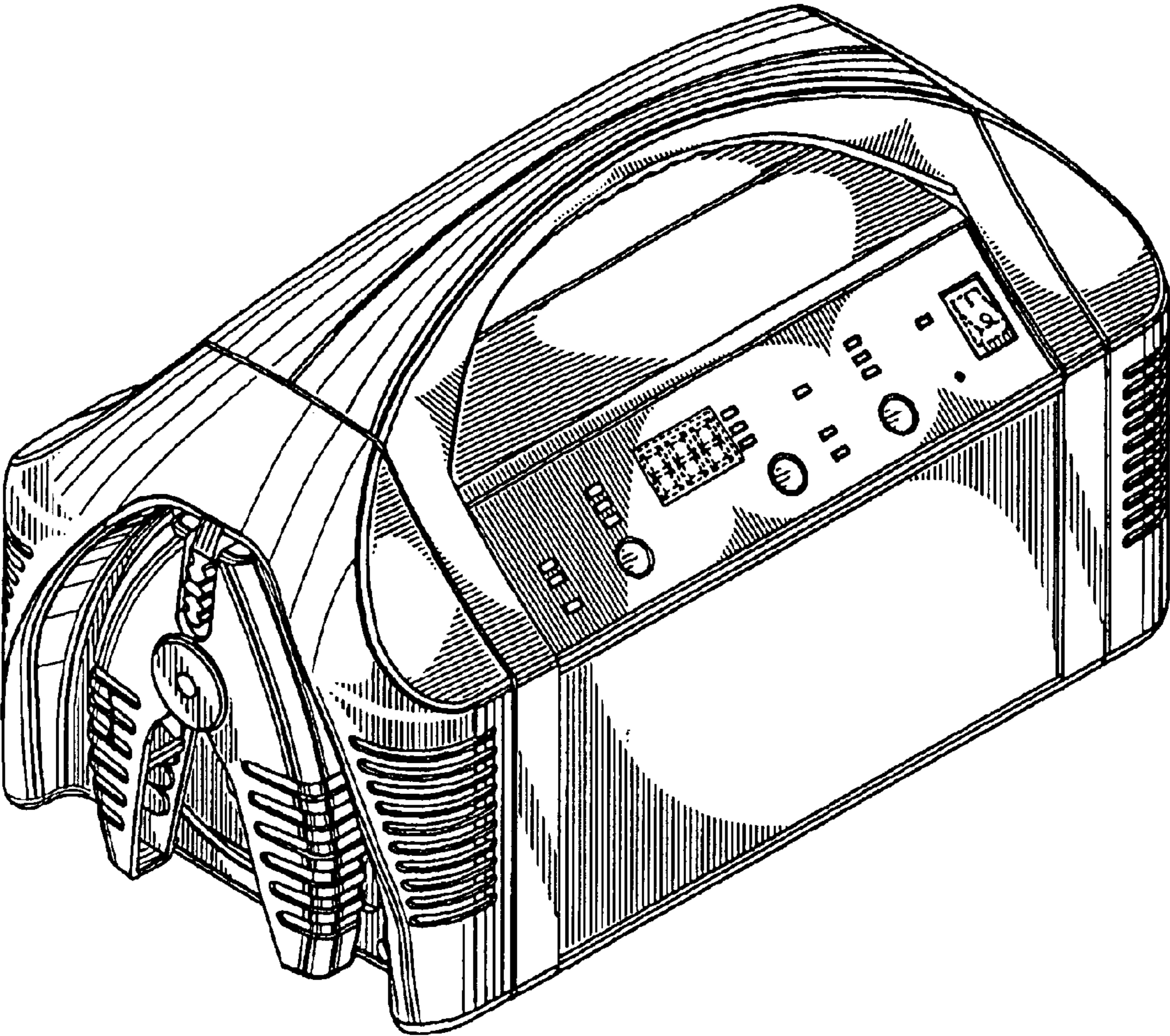


FIG. 1

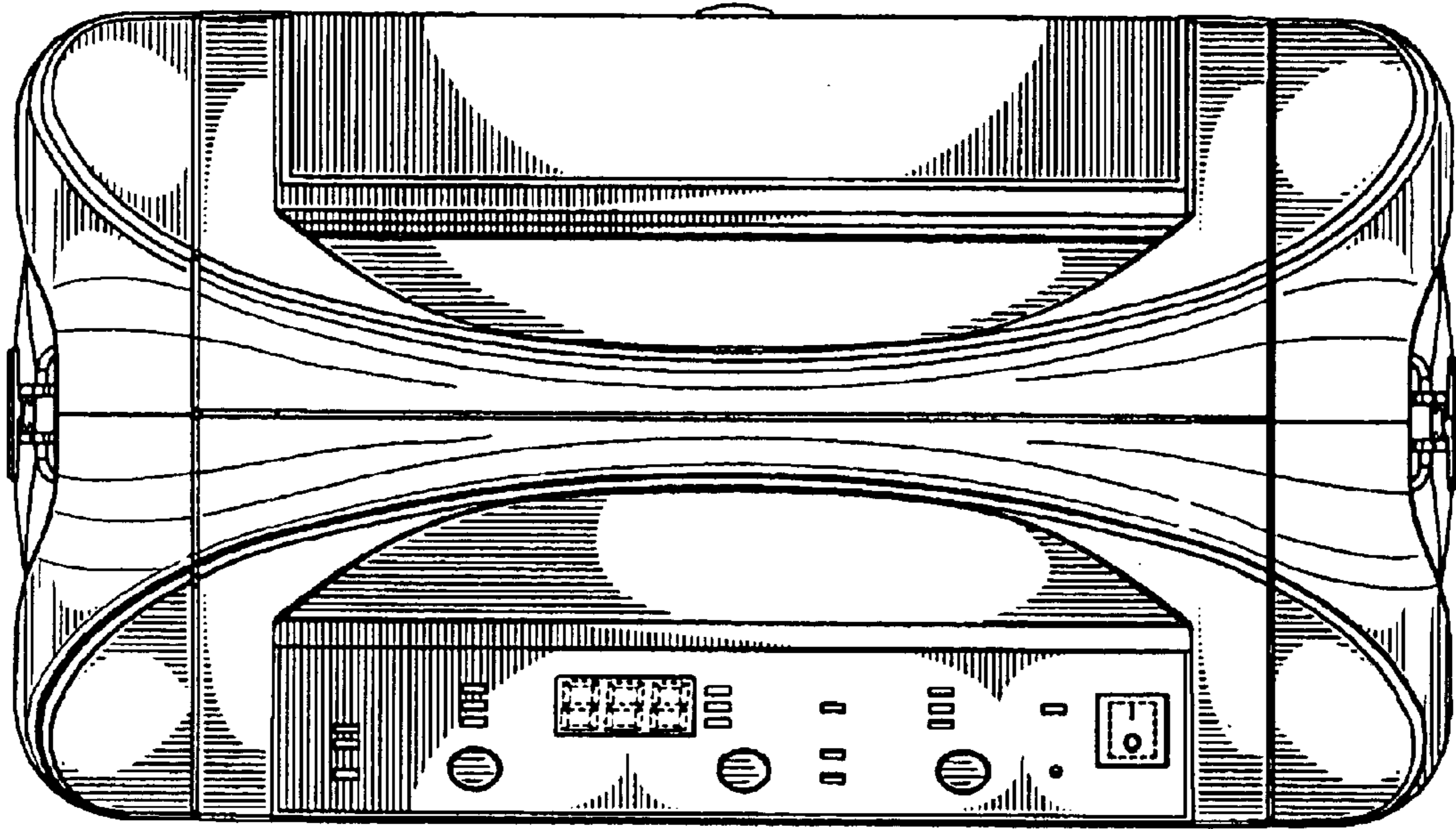


FIG. 2

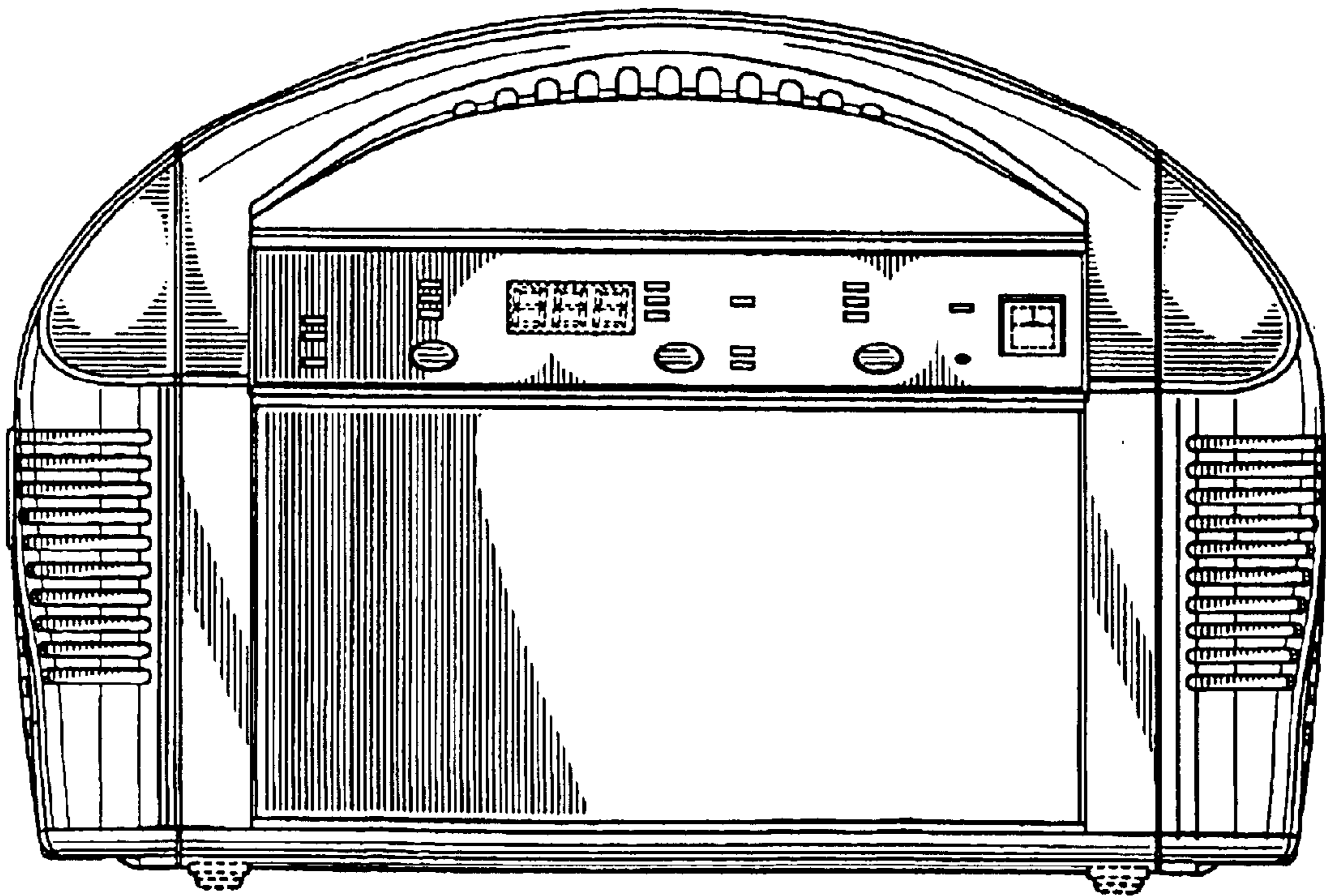


FIG. 3

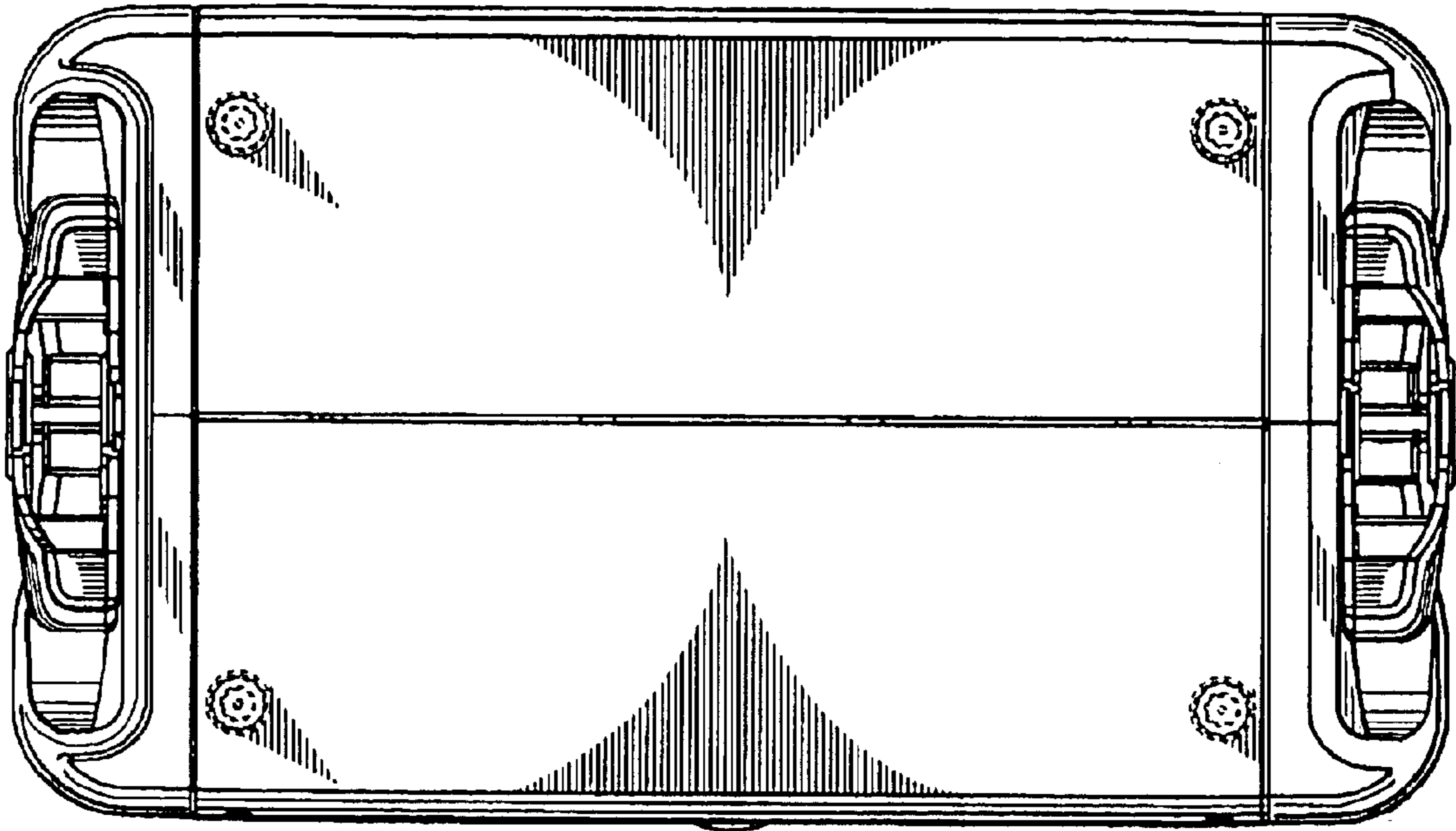


FIG. 4

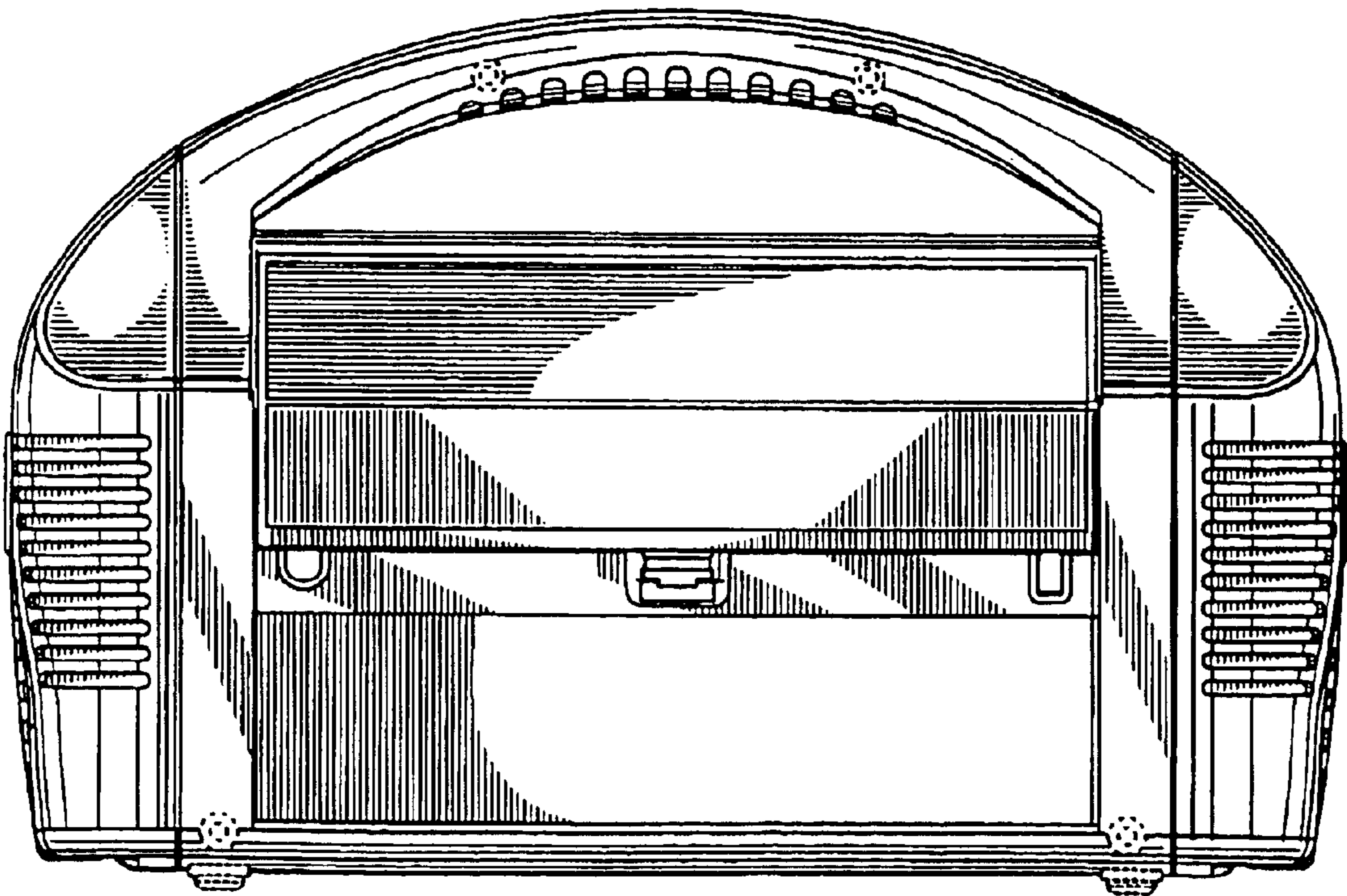


FIG. 5

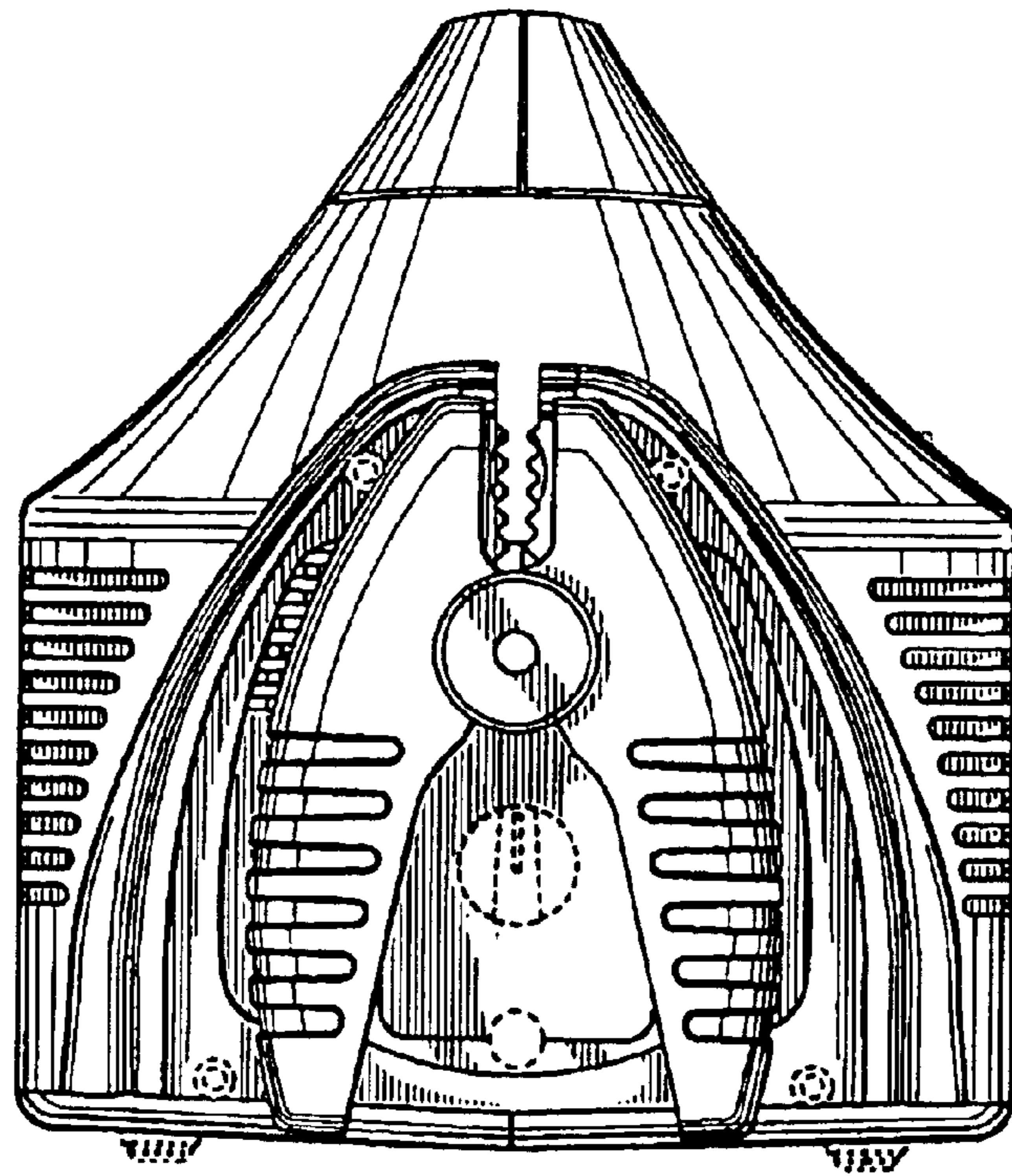


FIG. 6

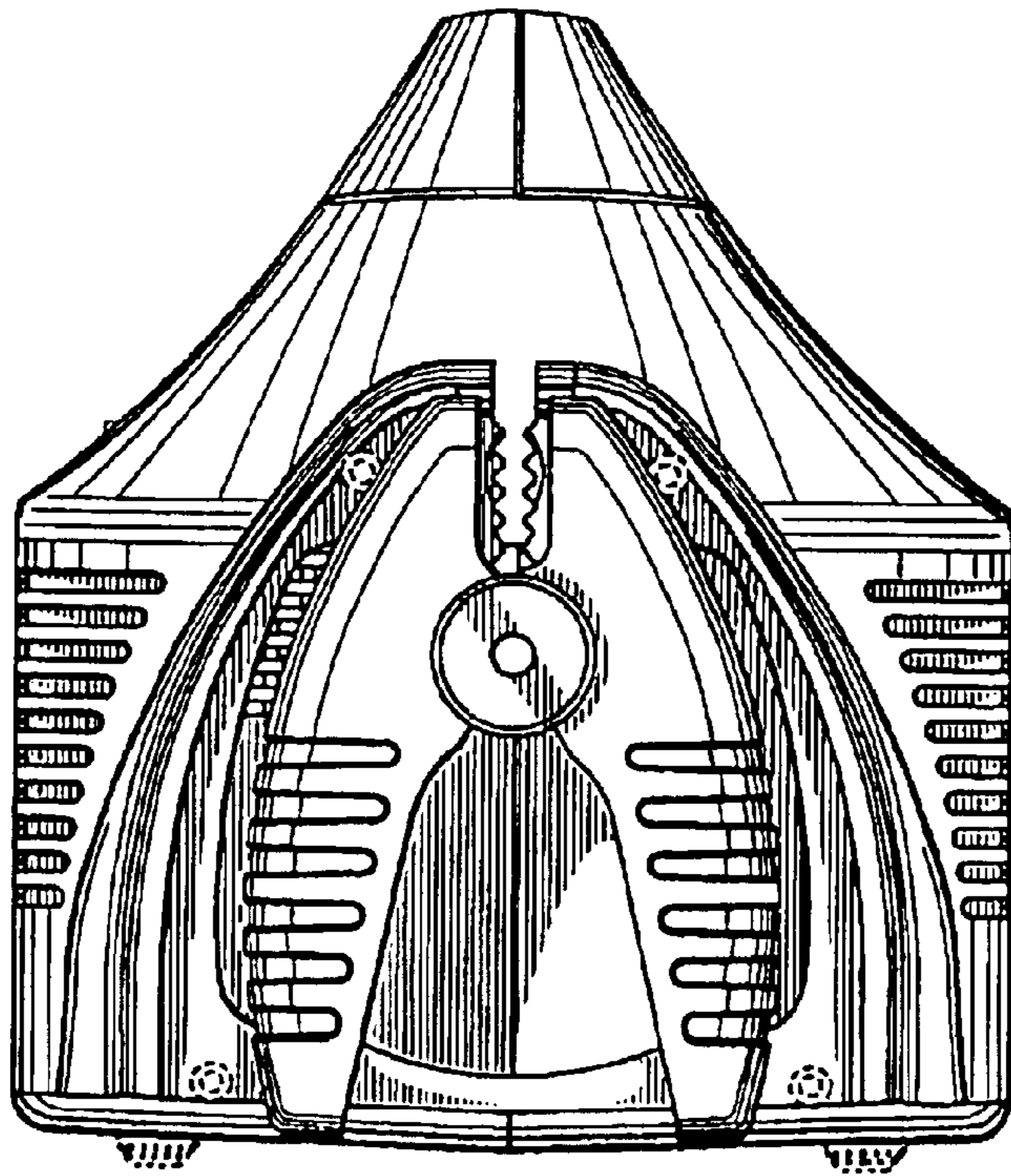


FIG. 7