



US00D511480S

(12) **United States Design Patent** (10) **Patent No.:** **US D511,480 S**
Buchman (45) **Date of Patent:** **** Nov. 15, 2005**

(54) **SLIDER DEVICE FOR RESEALABLE CLOSURE**

D480,988 S 10/2003 Buchman D11/221

* cited by examiner

(75) Inventor: **James E. Buchman**, Hortonville, WI (US)

Primary Examiner—Ralf Seifert

(73) Assignee: **Reynolds Consumer Products, Inc.**, Richmond, VA (US)

(74) *Attorney, Agent, or Firm*—Tracey D. Beiriger; Eckert Seamans Cherin & Mellot, LLC

(**) Term: **14 Years**

(57) **CLAIM**

The ornamental design of a slider device for resealable closure, as shown and described.

(21) Appl. No.: **29/211,930**

DESCRIPTION

(22) Filed: **Aug. 23, 2004**

(51) **LOC (8) Cl.** **02-07**

(52) **U.S. Cl.** **D11/221**

(58) **Field of Search** D11/200, 201, D11/221; 24/415–417, 419, 421, 427–431, 381–382, 385, 387, 433; 384/64

FIG. 1 is a top perspective view of a slider device for a resealable closure in accordance with the present invention; FIG. 2 is a bottom perspective view of the slider device; FIG. 3 is a right end elevational view of the slider device; FIG. 4 is a left end elevational view of the slider device; FIG. 5 is a front side elevation view of the slider device shown in FIG. 1; FIG. 6 is a rear side elevation view of the slider device shown in FIG. 1; FIG. 7 is a top plan view of the slider device; and, FIG. 8 is a bottom plan view of the slider device.

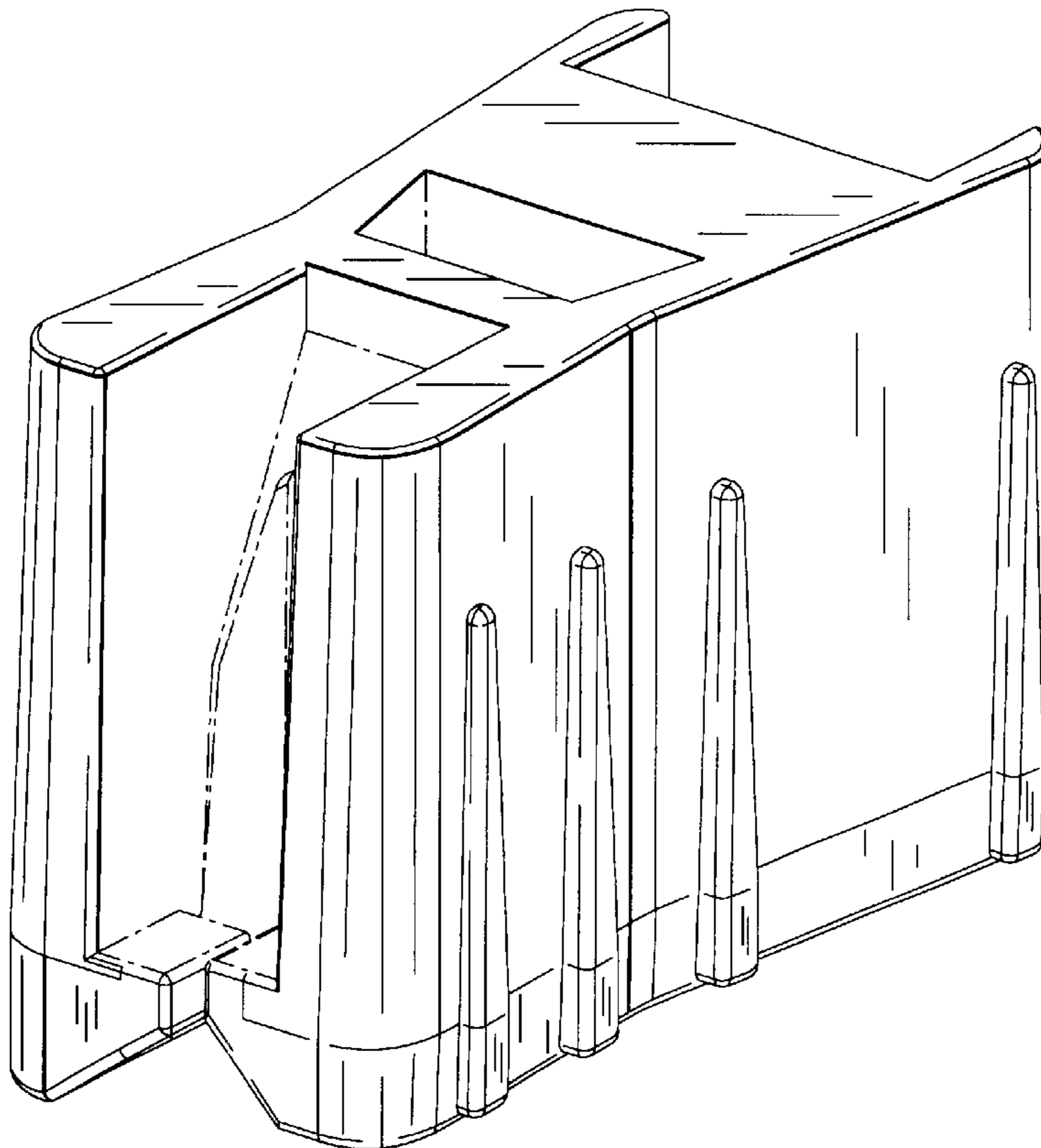
The phantom lines shown in FIGS. 1–8 show the remaining portions of the slider device and are for illustrative purposes only and form no part of the claimed design.

(56) **References Cited**

U.S. PATENT DOCUMENTS

- D325,547 S * 4/1992 Saito et al. D11/221
- 5,775,812 A * 7/1998 St. Phillips et al. 383/5
- 5,924,173 A * 7/1999 Dobreski et al. 24/400
- D434,345 S * 11/2000 Tomic D11/221
- 6,419,391 B2 * 7/2002 Thomas 383/5
- D469,721 S * 2/2003 Buchman D11/221
- 6,611,996 B2 * 9/2003 Blythe et al. 24/399

1 Claim, 5 Drawing Sheets



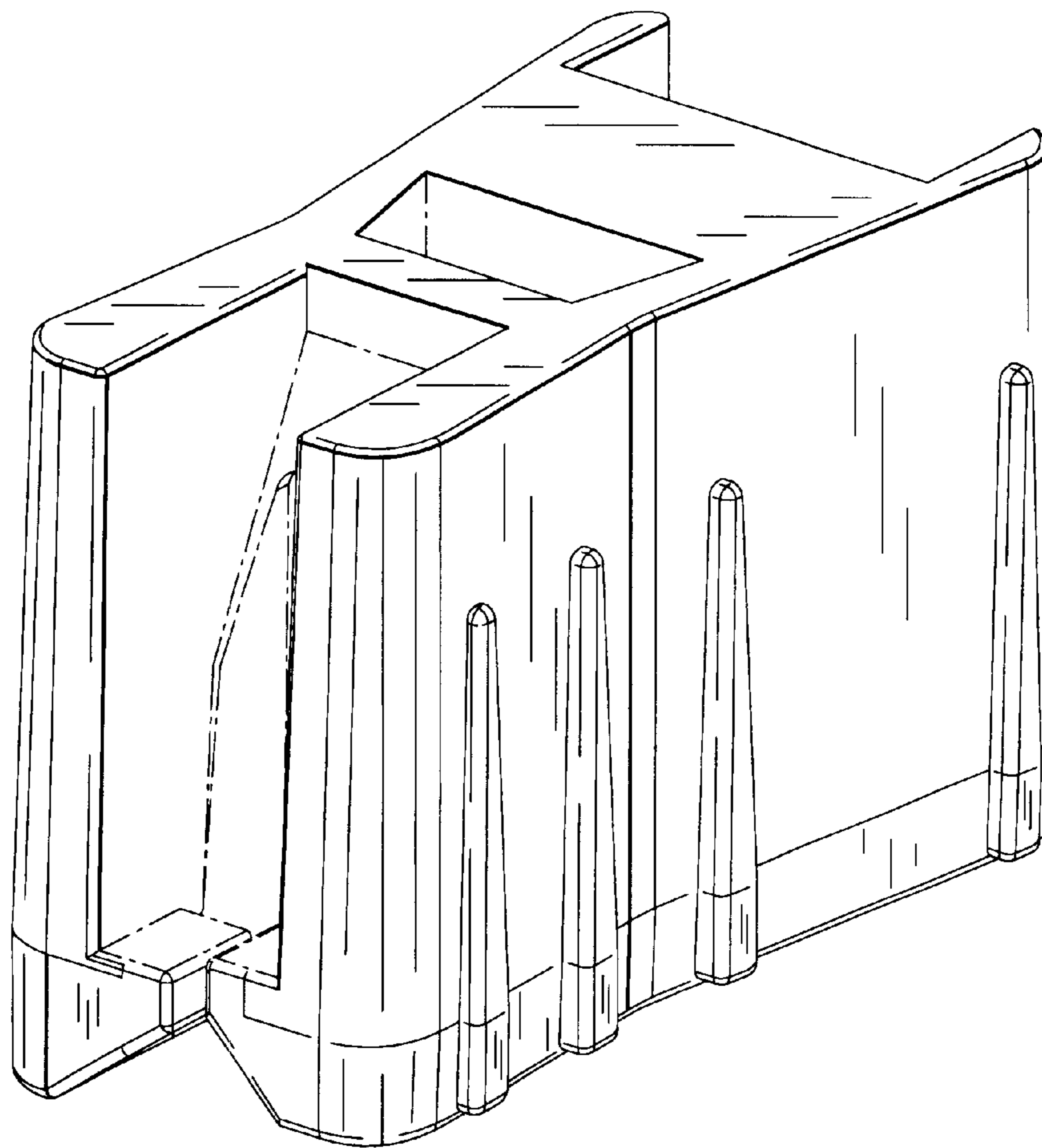


FIG. 1

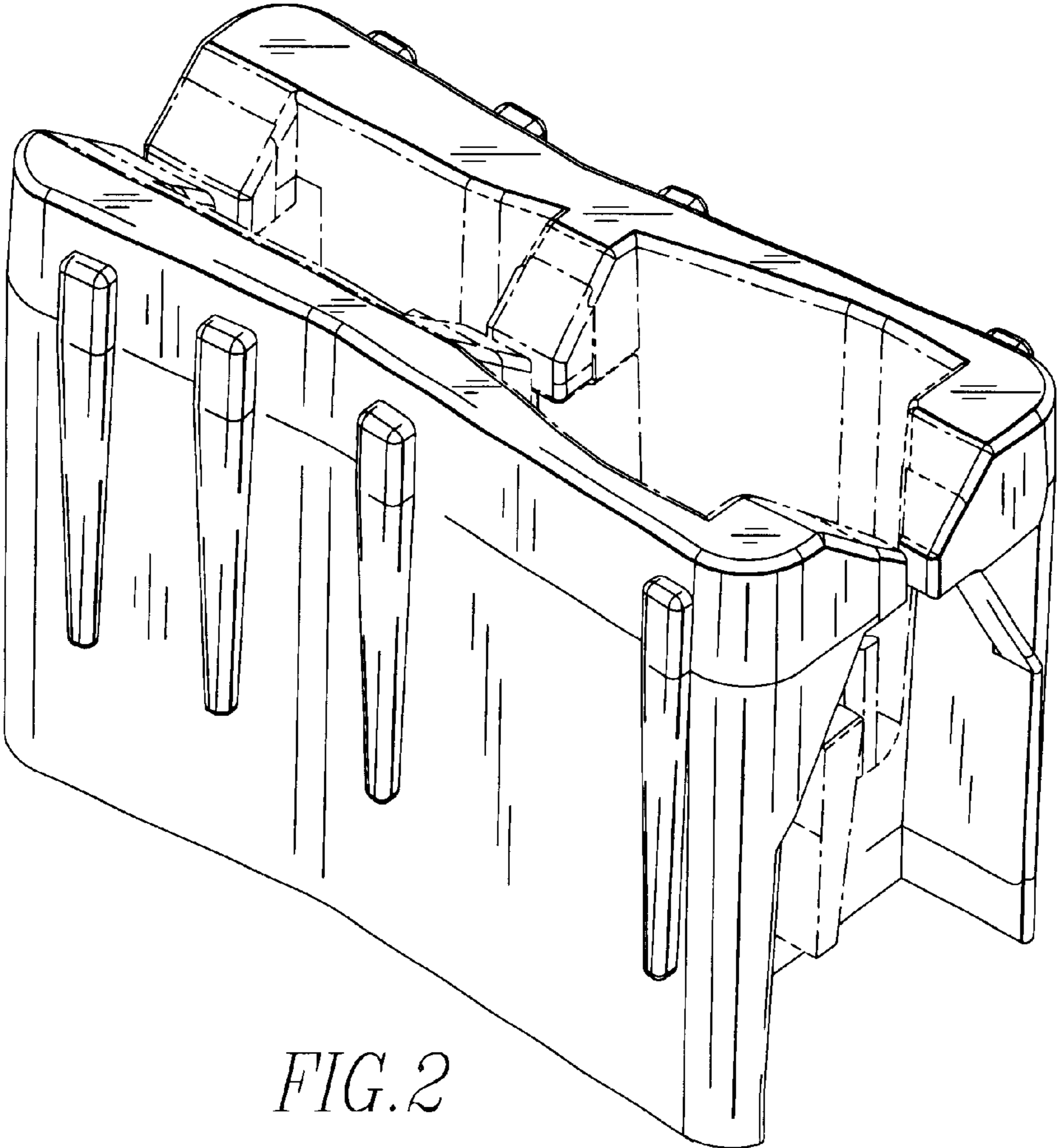


FIG. 2

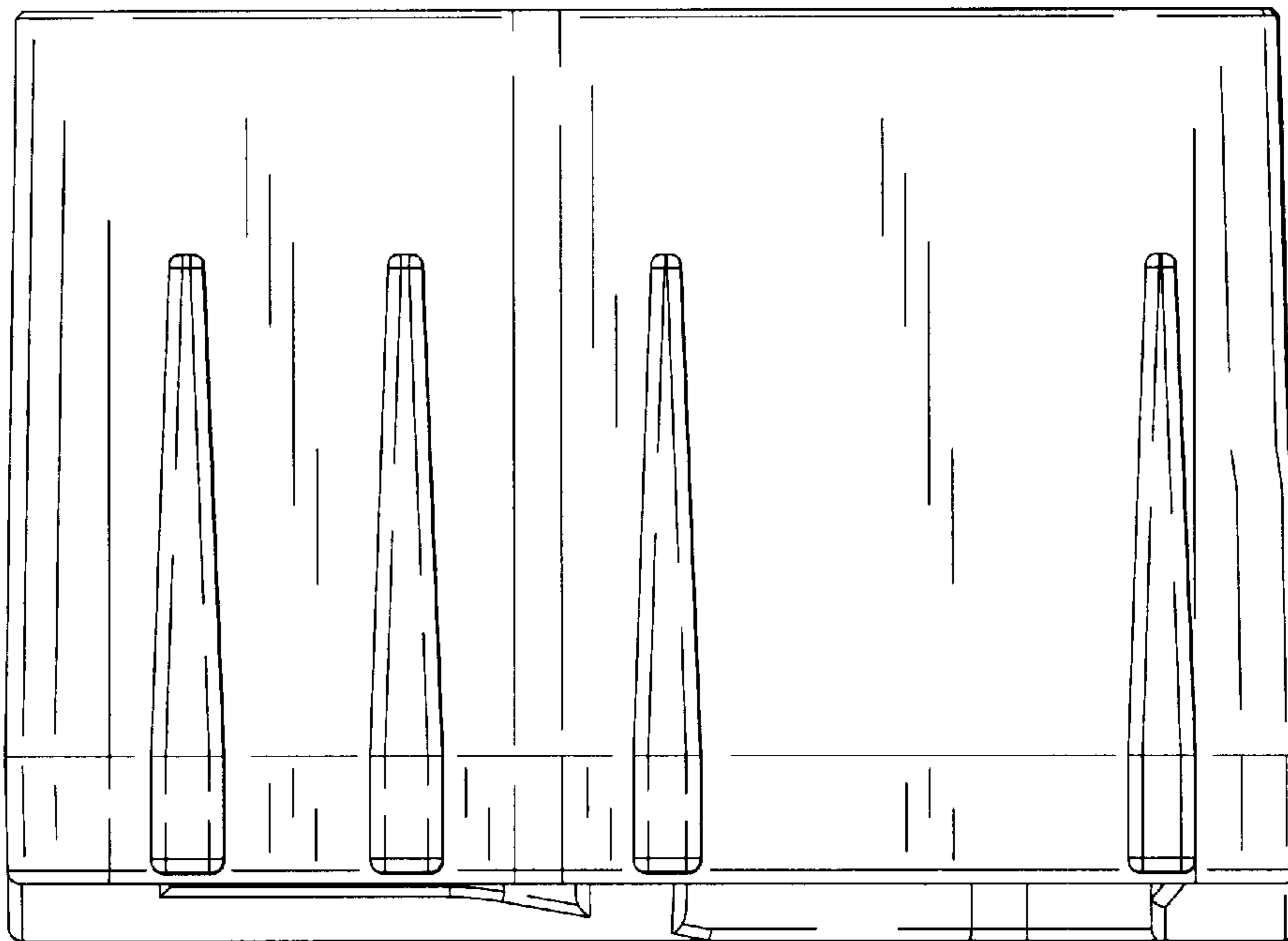


FIG. 3

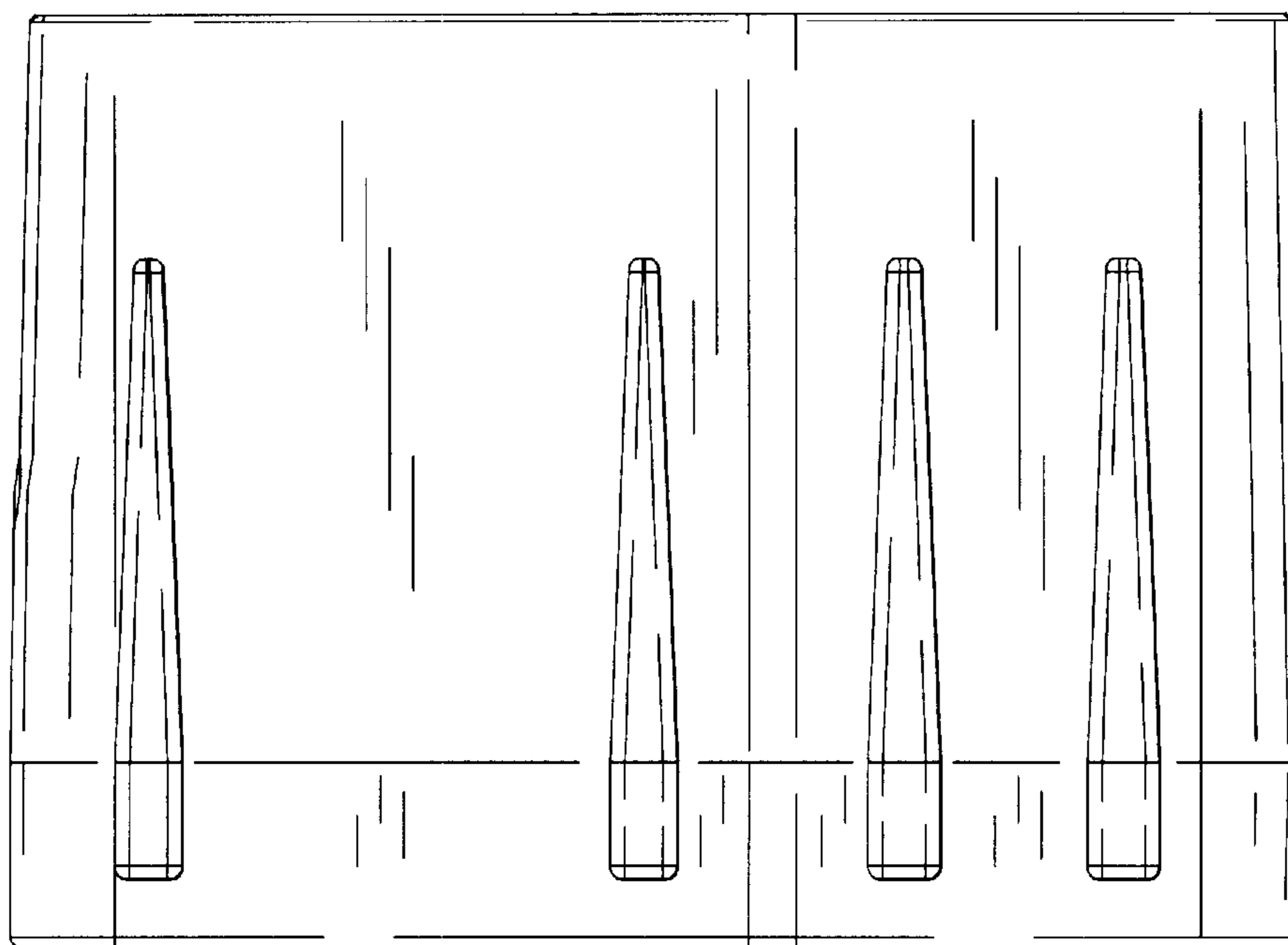


FIG. 4

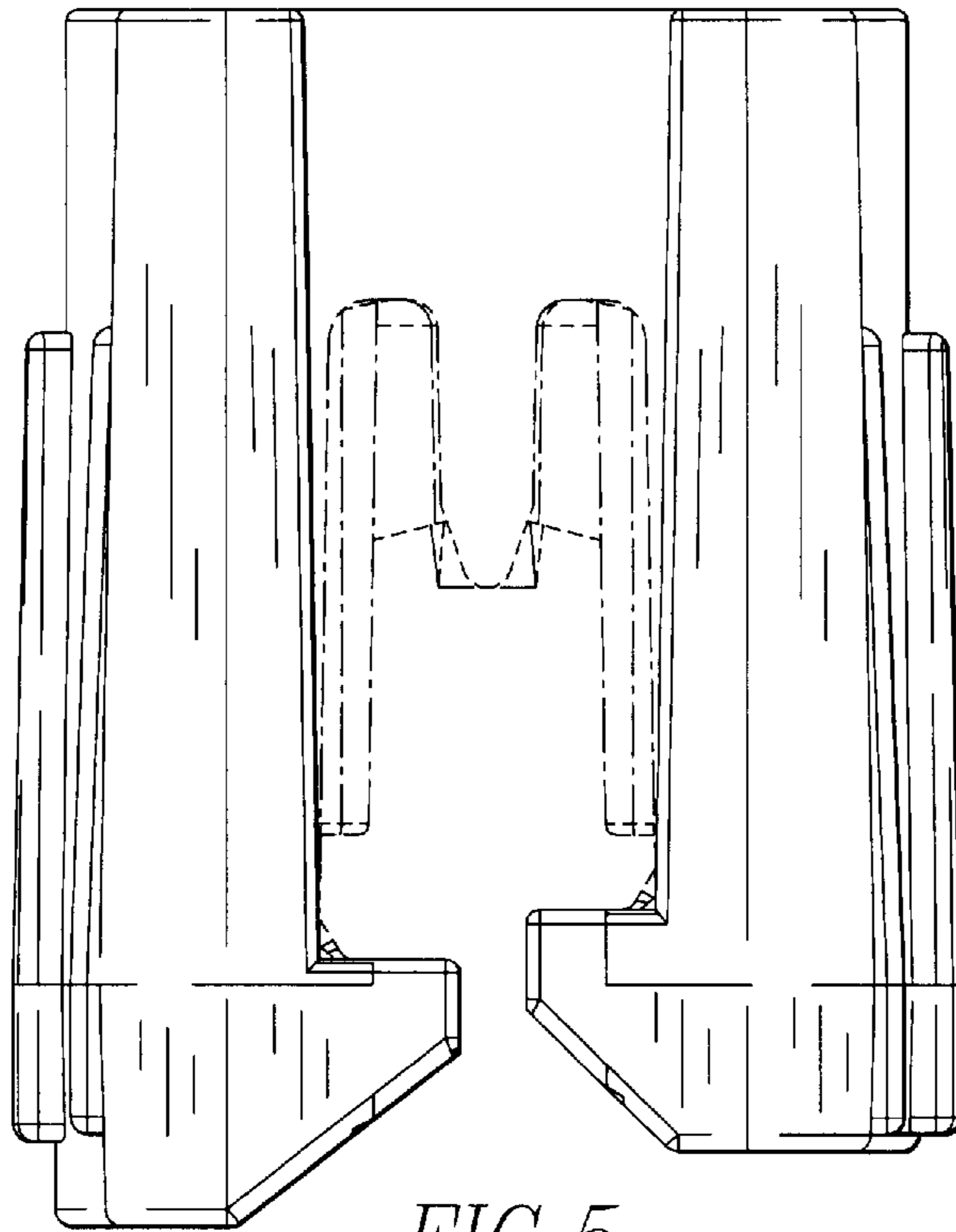


FIG. 5

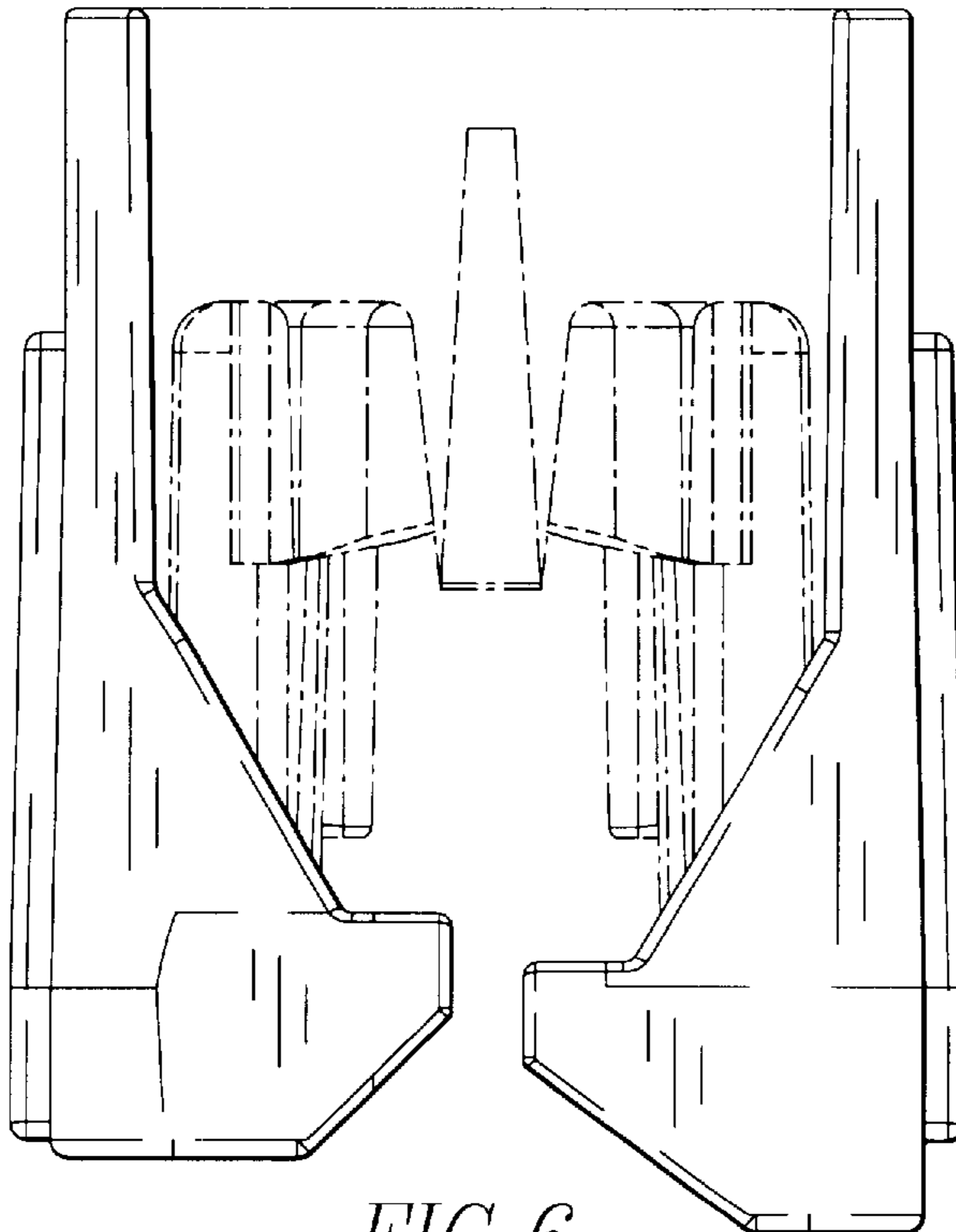


FIG. 6

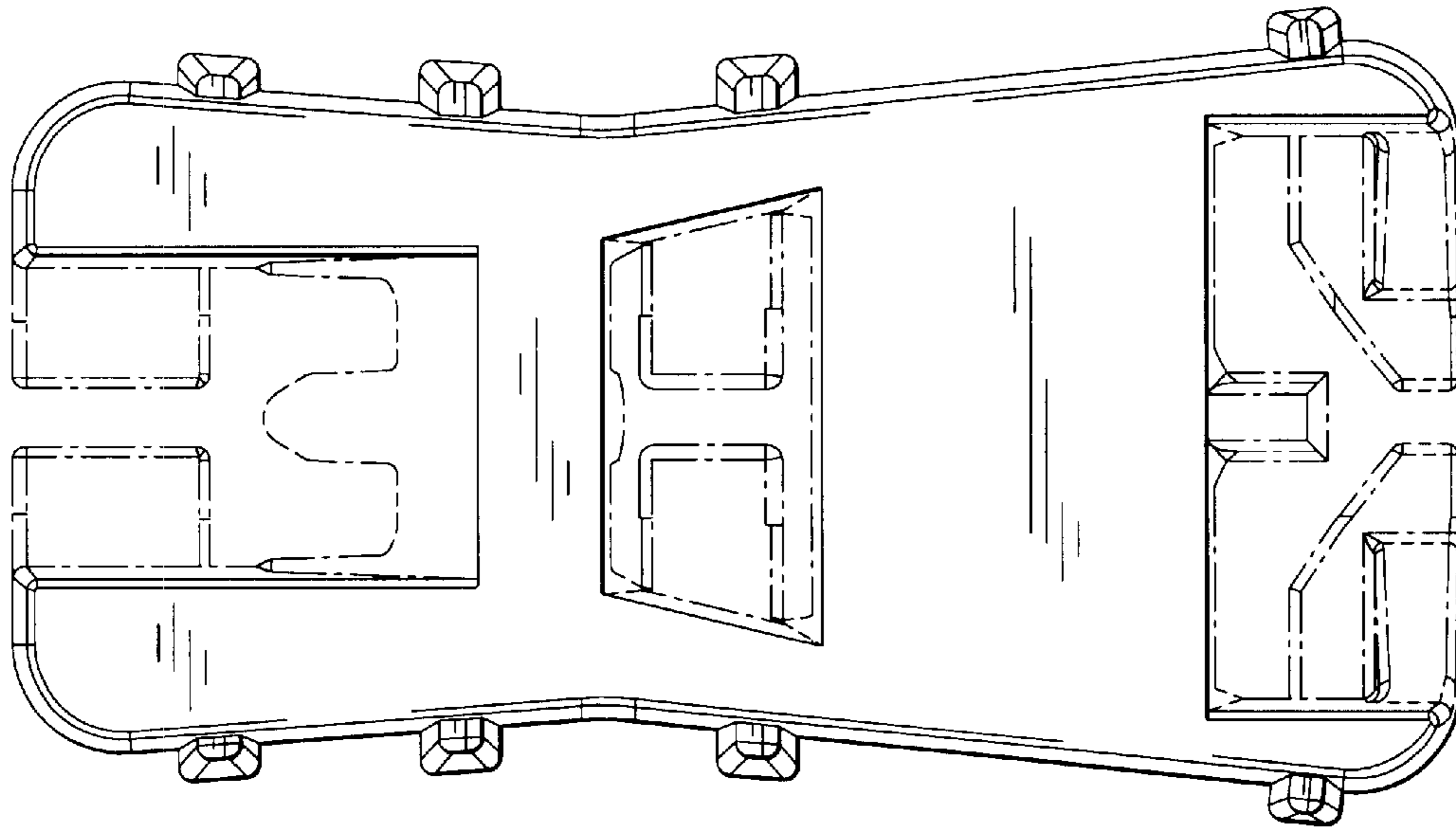


FIG. 7

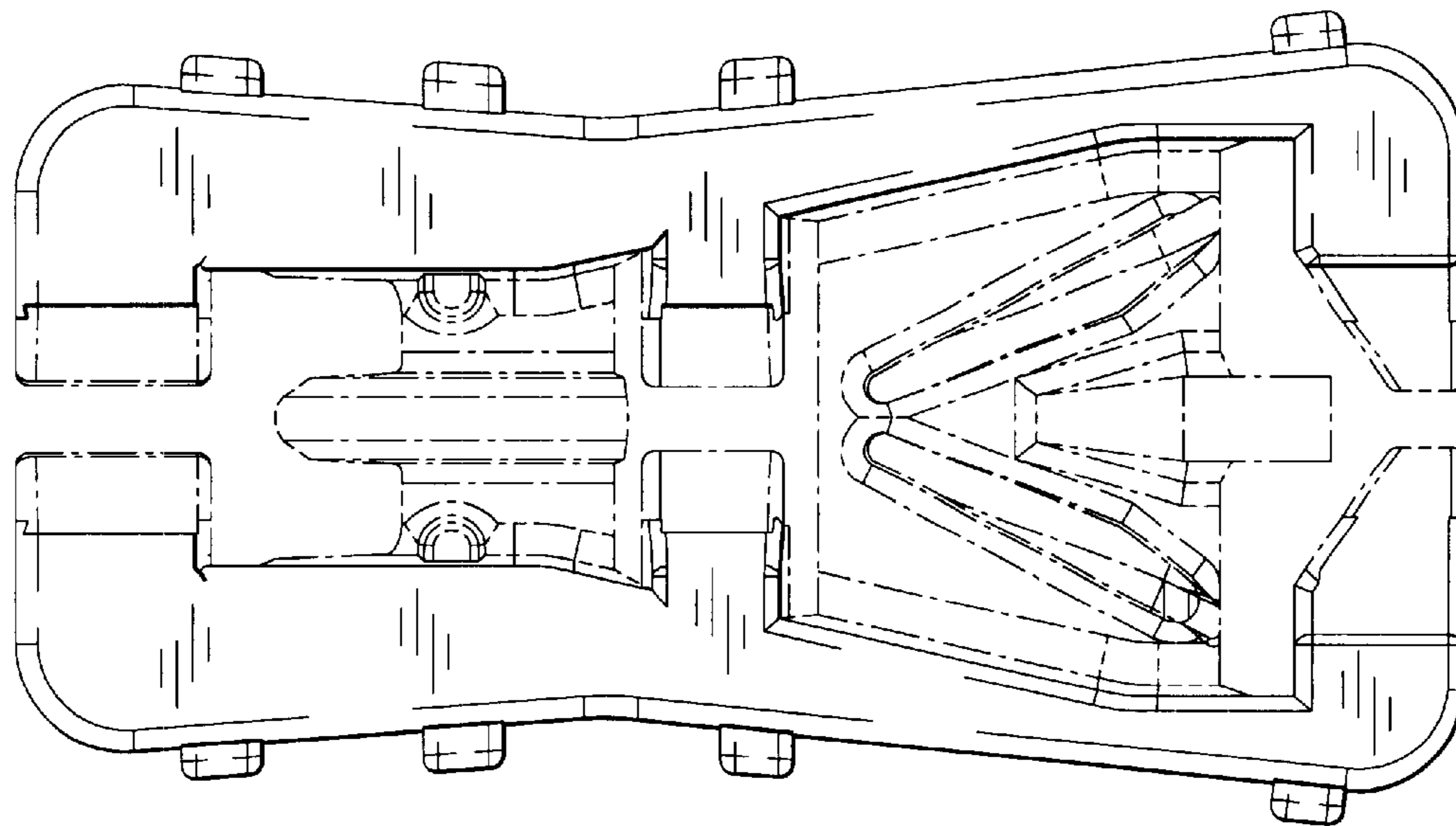


FIG. 8