

US00D511471S

(12) **United States Design Patent**
Cox

(10) **Patent No.:** **US D511,471 S**

(45) **Date of Patent:** **** Nov. 15, 2005**

(54) **TURKEY CALL**

(76) **Inventor:** **Randall Cox**, 317 DayLily Dr.,
Lexington, SC (US) 29072

(**) **Term:** **14 Years**

(21) **Appl. No.:** **29/200,631**

(22) **Filed:** **Mar. 2, 2004**

(51) **LOC (8) Cl.** **10-05**

(52) **U.S. Cl.** **D10/116**

(58) **Field of Search** D10/119, 116;
446/421, 418, 404, 397; 84/410; 43/1

(56) **References Cited**

U.S. PATENT DOCUMENTS

2,511,403	A	*	6/1950	Fleener	446/397
D231,927	S	*	6/1974	Shoemaker	D10/119
4,422,262	A	*	12/1983	Moss	446/397
4,664,641	A	*	5/1987	Hearn et al.	446/397
4,846,753	A	*	7/1989	Langston	446/397
4,932,920	A	*	6/1990	Hearn	446/397
4,941,858	A	*	7/1990	Adams	446/397
5,484,319	A	*	1/1996	Bathey	446/397
5,830,036	A	*	11/1998	Richardson	446/397
D415,054	S	*	10/1999	Foster et al.	D10/119

6,168,493	B1	*	1/2001	Kirby	446/418
D472,176	S	*	3/2003	Atkinson	D10/116
D487,876	S	*	3/2004	Atkinson	D10/116

* cited by examiner

Primary Examiner—Cathron C. Brooks

Assistant Examiner—Austin Murphy

(74) *Attorney, Agent, or Firm*—Sara A. Centioni; Michael
A. Mann; Nexsen Pruet Adams Kleemeir, LLC

(57) **CLAIM**

I claim the ornamental design for a turkey call, as shown and described.

DESCRIPTION

FIG. 1 is an exploded front perspective view of the turkey call;

FIG. 2 is a front perspective view thereof;

FIG. 3 is a top view thereof;

FIG. 4 is a side view thereof;

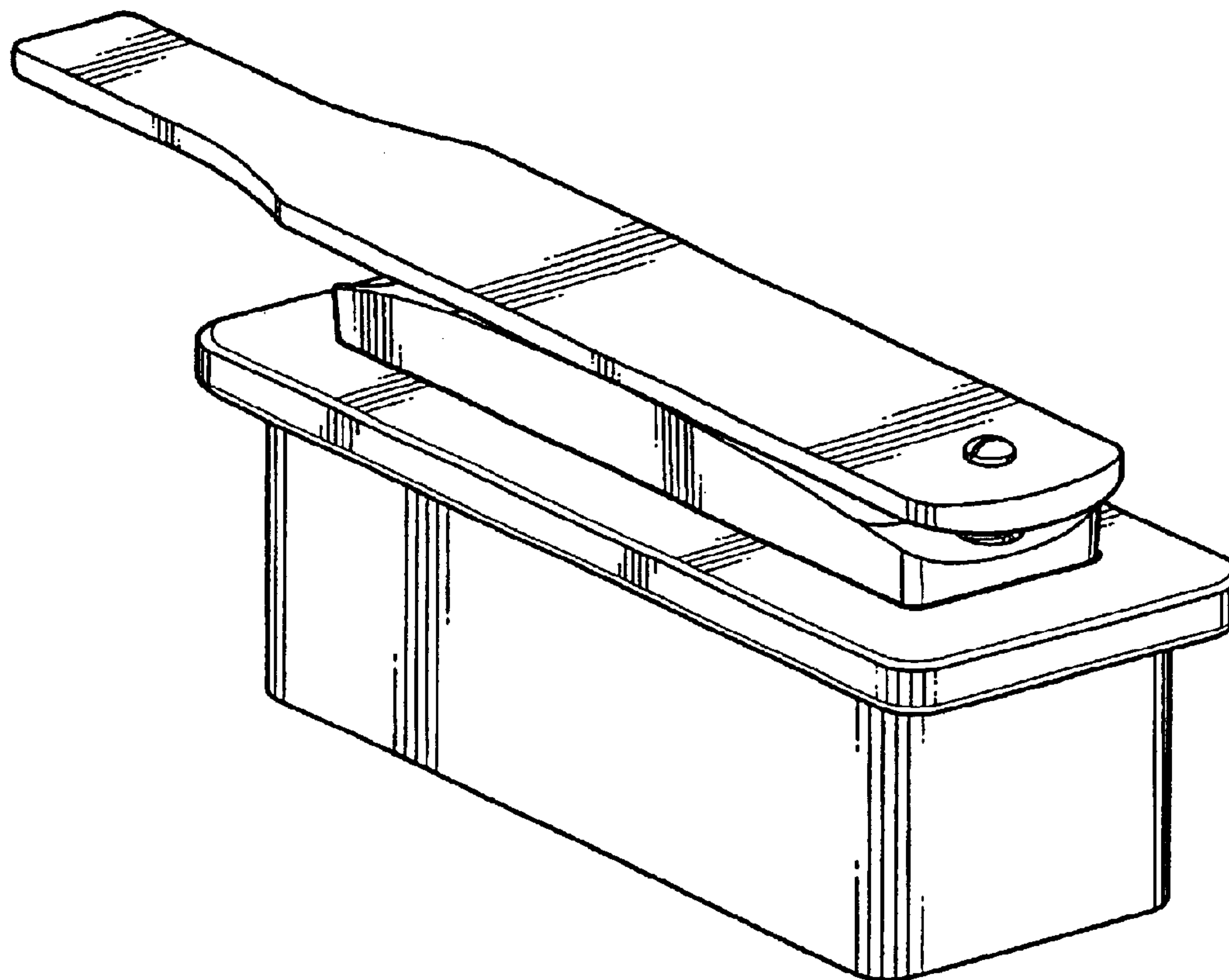
FIG. 5 is a side cross-sectional view thereof;

FIG. 6 is a bottom view thereof;

FIG. 7 is a front view thereof; and,

FIG. 8 is a back view thereof.

1 Claim, 4 Drawing Sheets



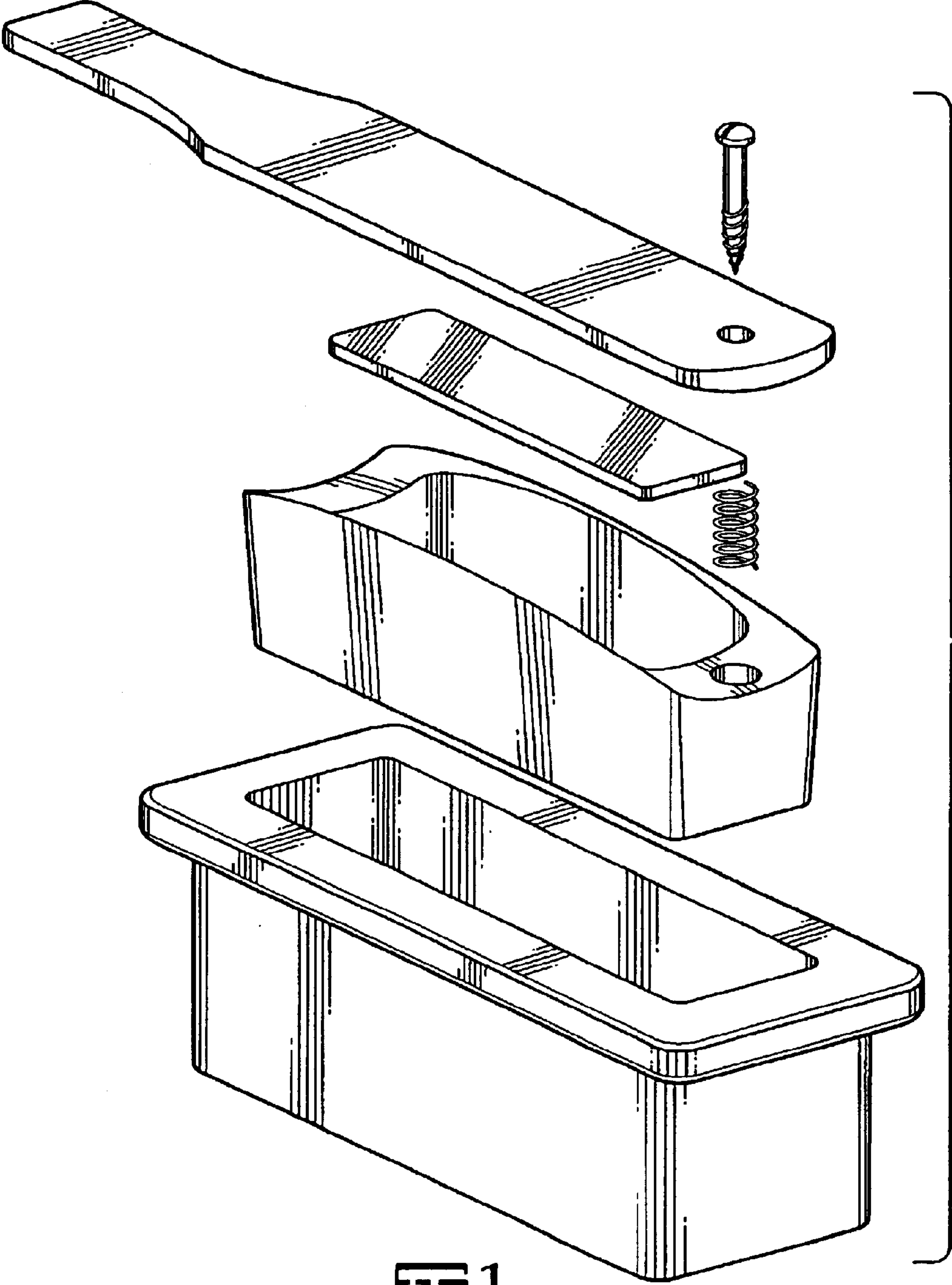


FIG. 1

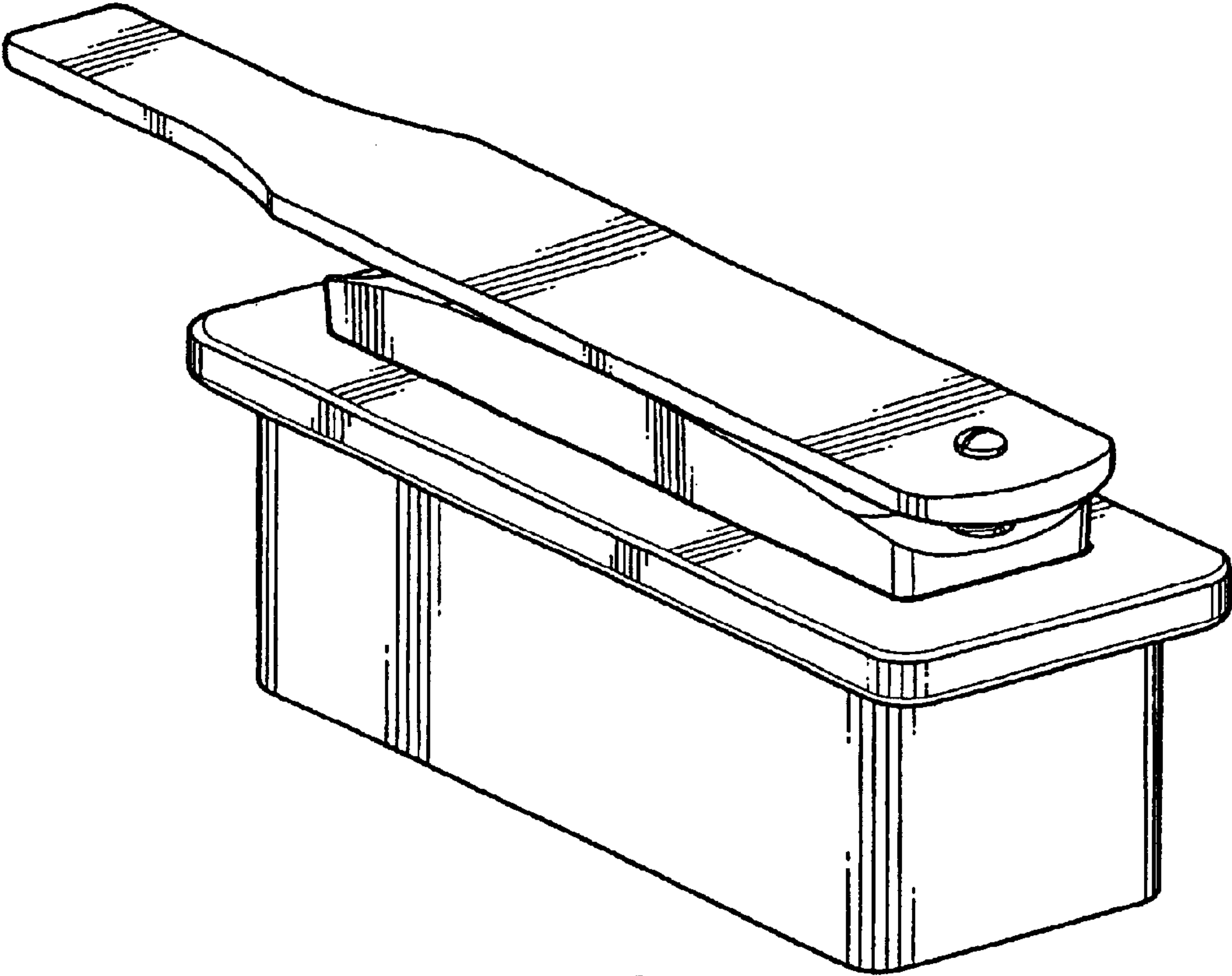
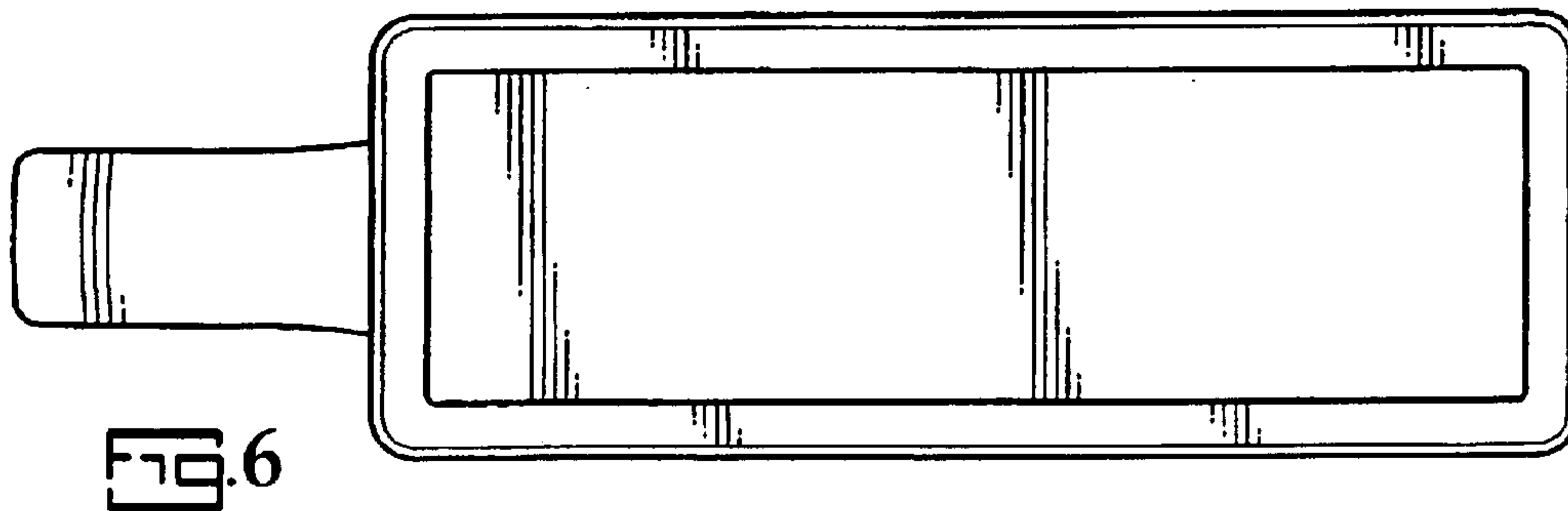
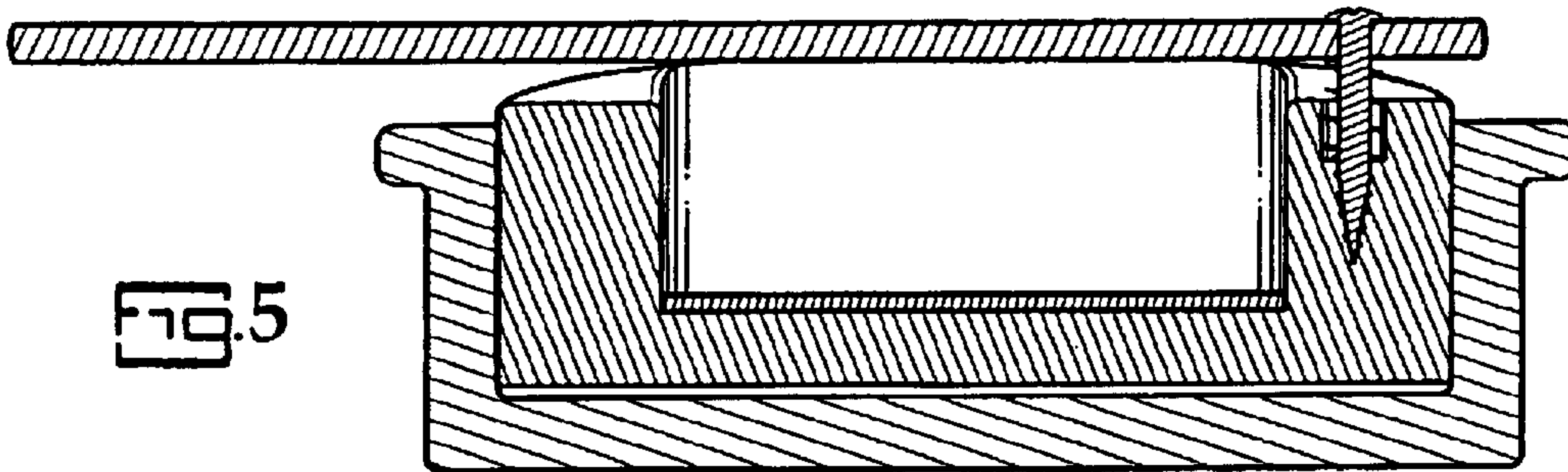
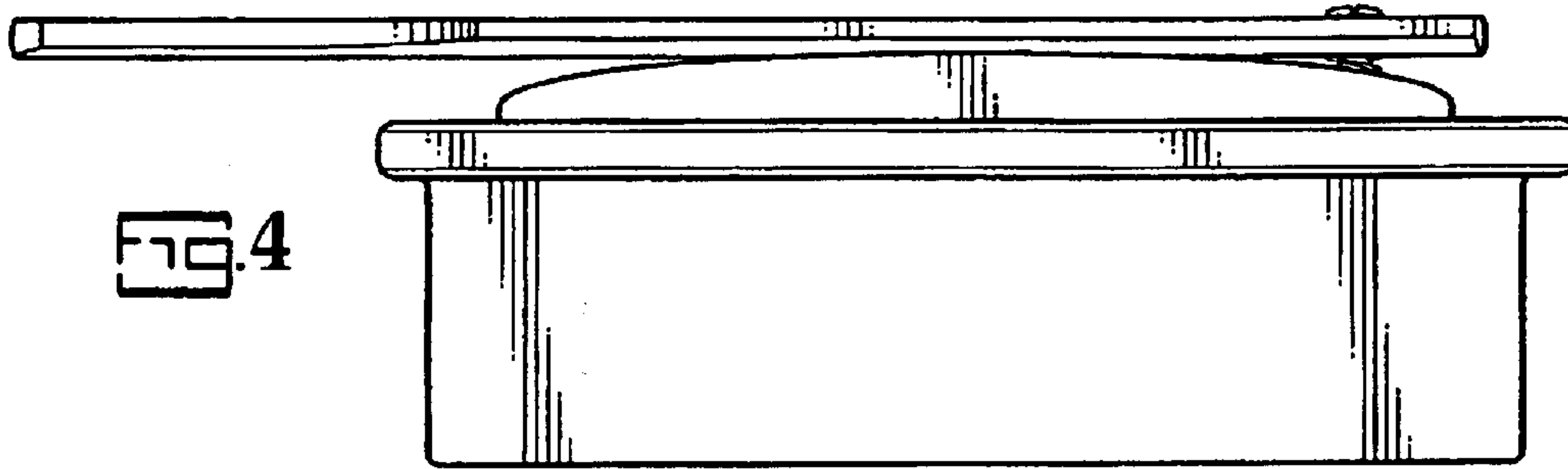
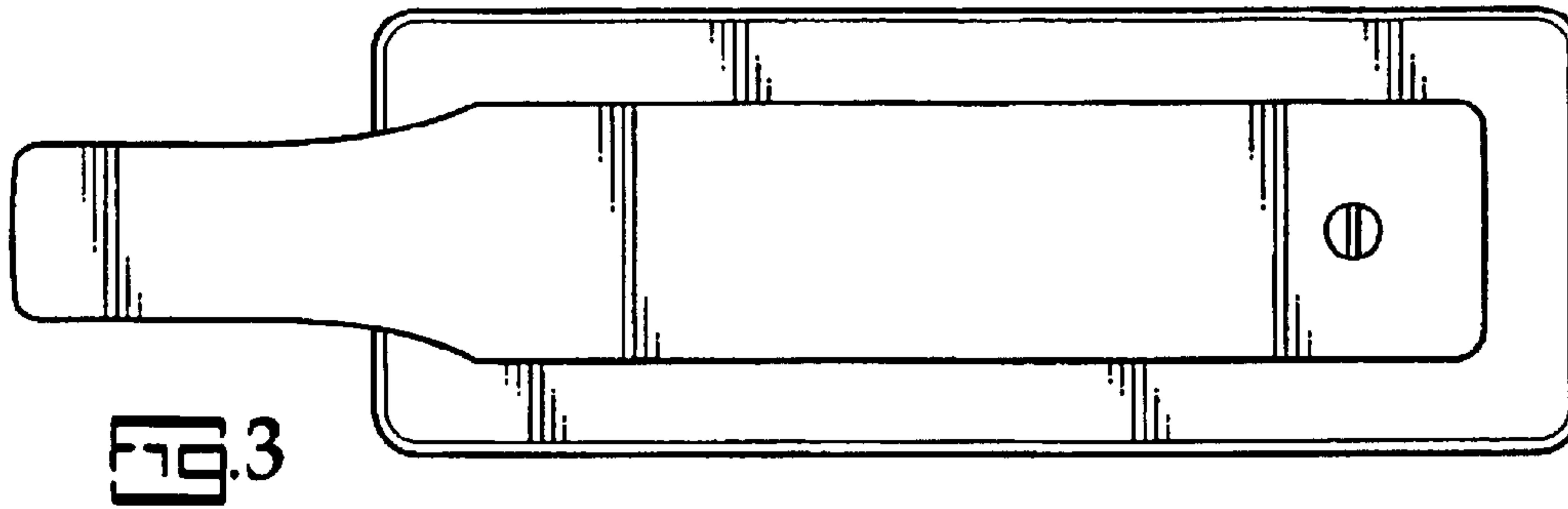


FIG. 2



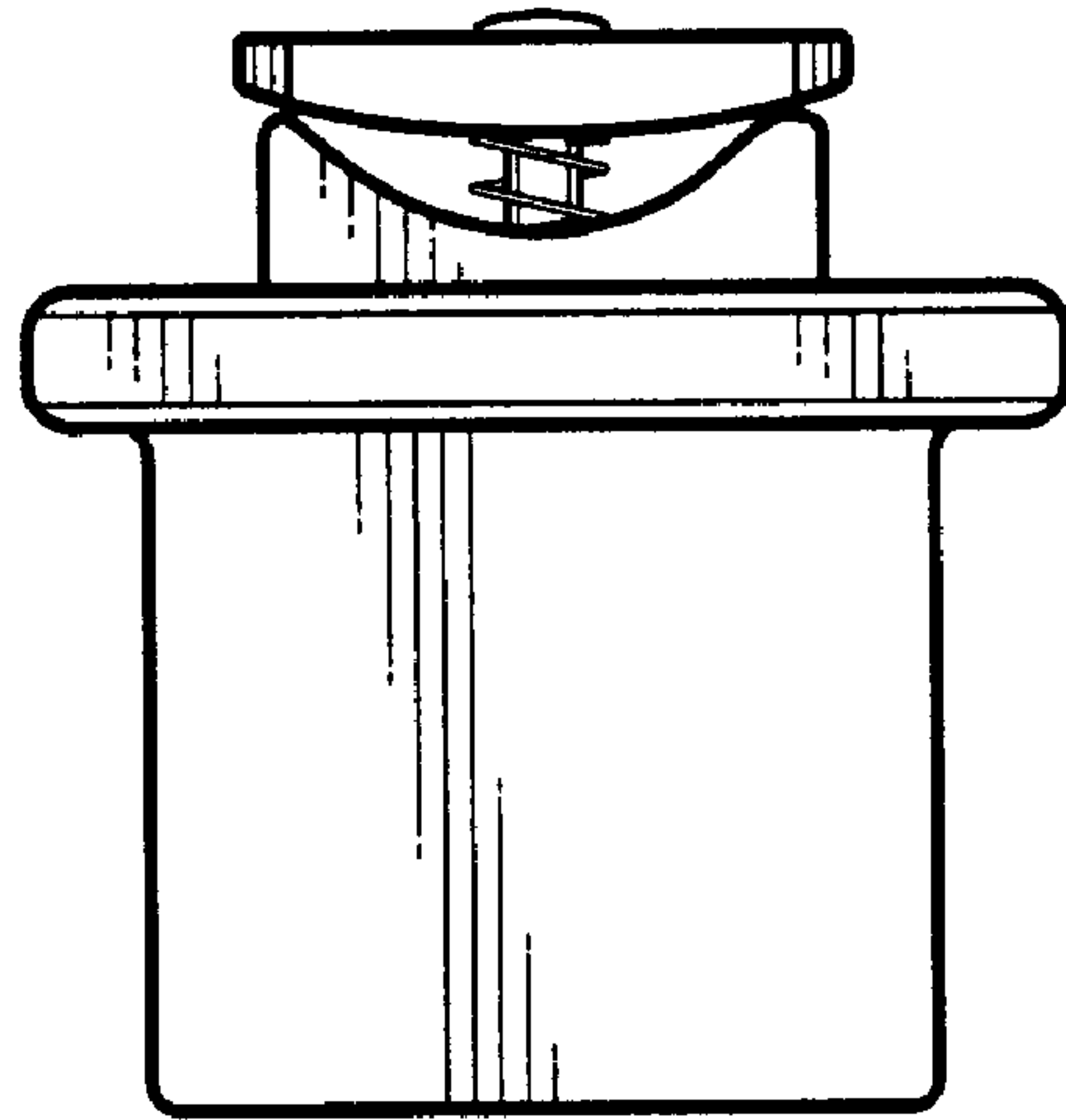


FIG. 7

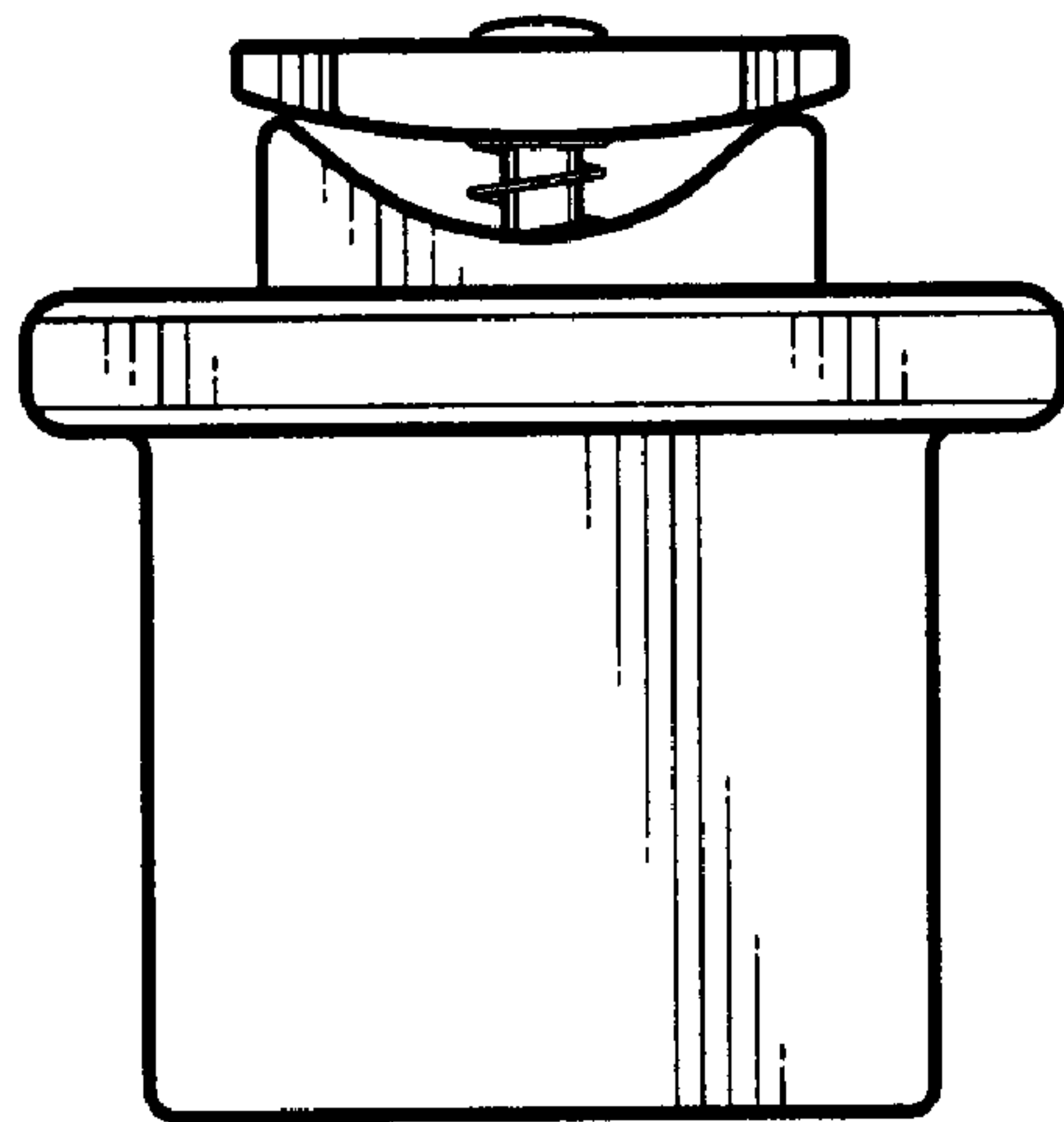


FIG. 8