



US00D511469S

(12) **United States Design Patent**  
**Aromin**

(10) **Patent No.:** **US D511,469 S**

(45) **Date of Patent:** **\*\* Nov. 15, 2005**

(54) **LEAKAGE CURRENT DETECTION INTERRUPTER PLUG**

5,862,029 A \* 1/1999 Nicol ..... 361/42  
6,693,779 B2 \* 2/2004 DiSalvo ..... 361/42

(75) Inventor: **Victor V. Aromin**, West Warwick, RI (US)

\* cited by examiner

*Primary Examiner*—Antoine D. Davis

(73) Assignee: **Tower Manufacturing Corporation**, Providence, RI (US)

(57) **CLAIM**

The ornamental design for a leakage current detection interrupter plug, as shown and described.

(\*\*) Term: **14 Years**

**DESCRIPTION**

(21) Appl. No.: **29/213,876**

FIG. 1 is a perspective view taken from the side of a leakage current detection interrupter plug showing my new design; FIG. 2 is a bottom view of the leakage current detection interrupter plug shown in FIG. 1; FIG. 3 is a top view of the leakage current detection interrupter plug shown in FIG. 1; FIG. 4 is a left side view of the leakage current detection interrupter plug shown in FIG. 1; FIG. 5 is a right side view of the leakage current detection interrupter plug shown in FIG. 1; FIG. 6 is a front view of the leakage current detection interrupter plug shown in FIG. 1; and, FIG. 7 is a rear view of the leakage current detection interrupter plug shown in FIG. 1.

(22) Filed: **Sep. 23, 2004**

(51) **LOC (8) Cl.** ..... **10-04**

(52) **U.S. Cl.** ..... **D10/75; D10/78**

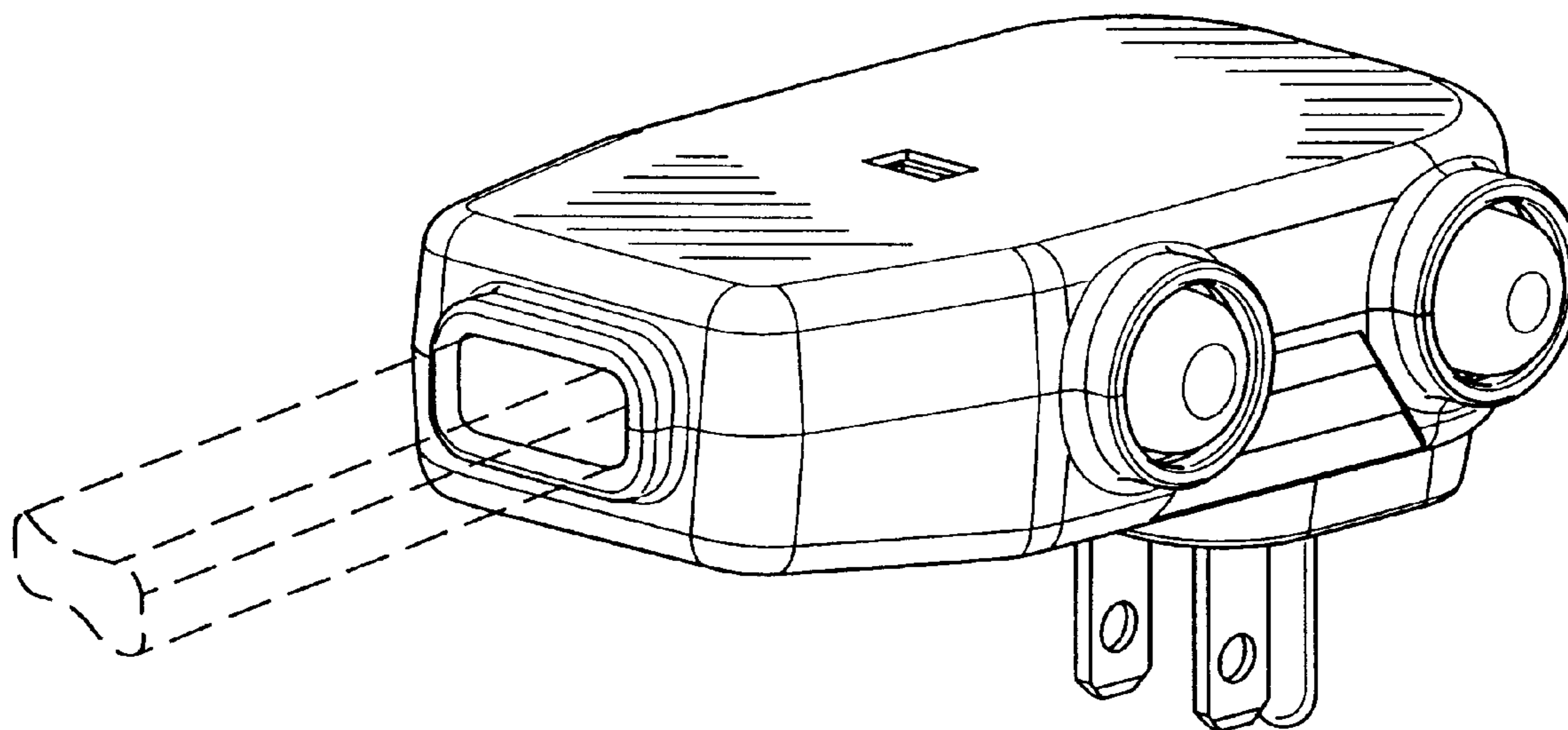
(58) **Field of Search** ..... D10/75, 78; 361/61, 361/42-50

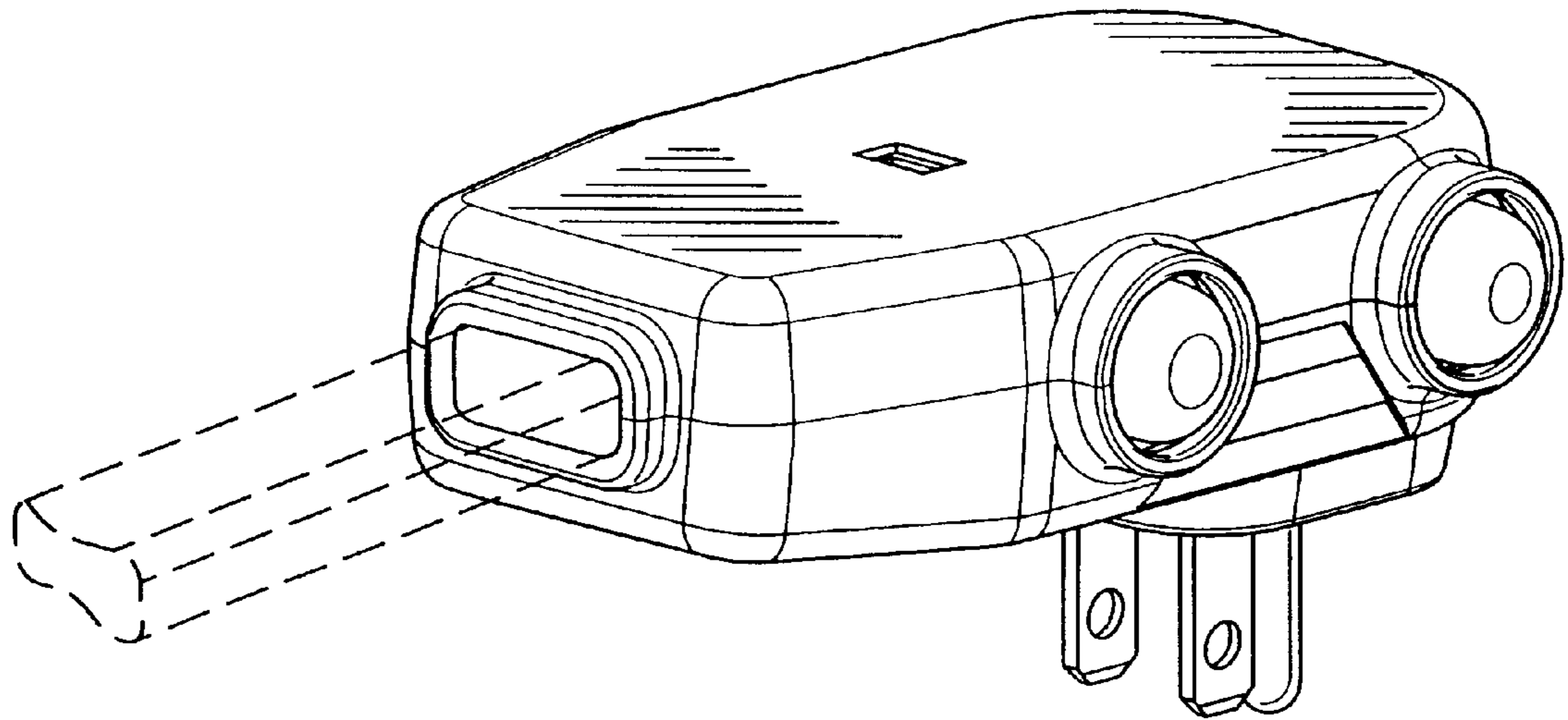
(56) **References Cited**

**U.S. PATENT DOCUMENTS**

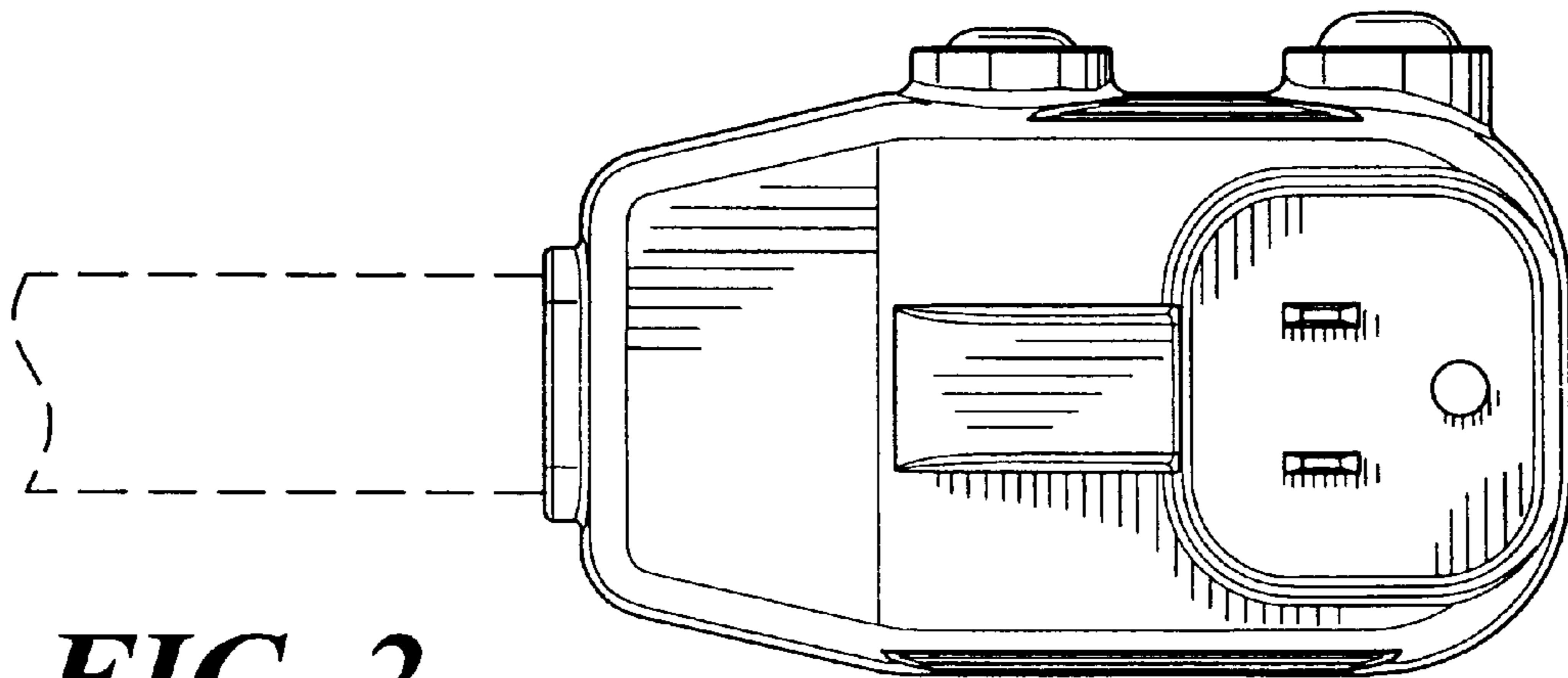
5,148,344 A	*	9/1992	Rao et al.	.....	361/42
5,305,173 A	*	4/1994	Kakuta et al.	.....	361/45
D352,667 S	*	11/1994	Chen	.....	D10/75
D363,680 S	*	10/1995	Shan	.....	D10/75
D364,826 S	*	12/1995	Wu	.....	D10/75
5,644,464 A	*	7/1997	Zhou	.....	361/42
5,661,623 A	*	8/1997	McDonald et al.	.....	361/42

**1 Claim, 2 Drawing Sheets**

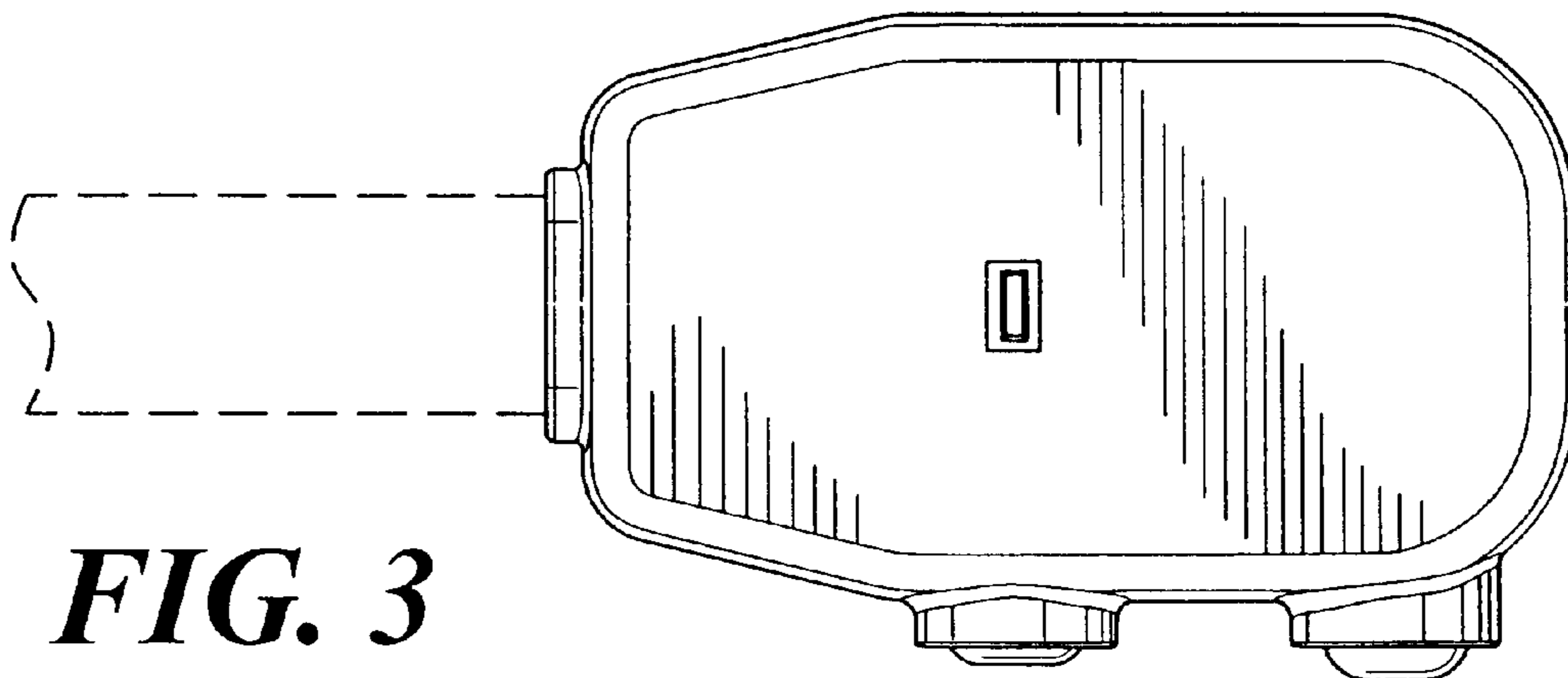




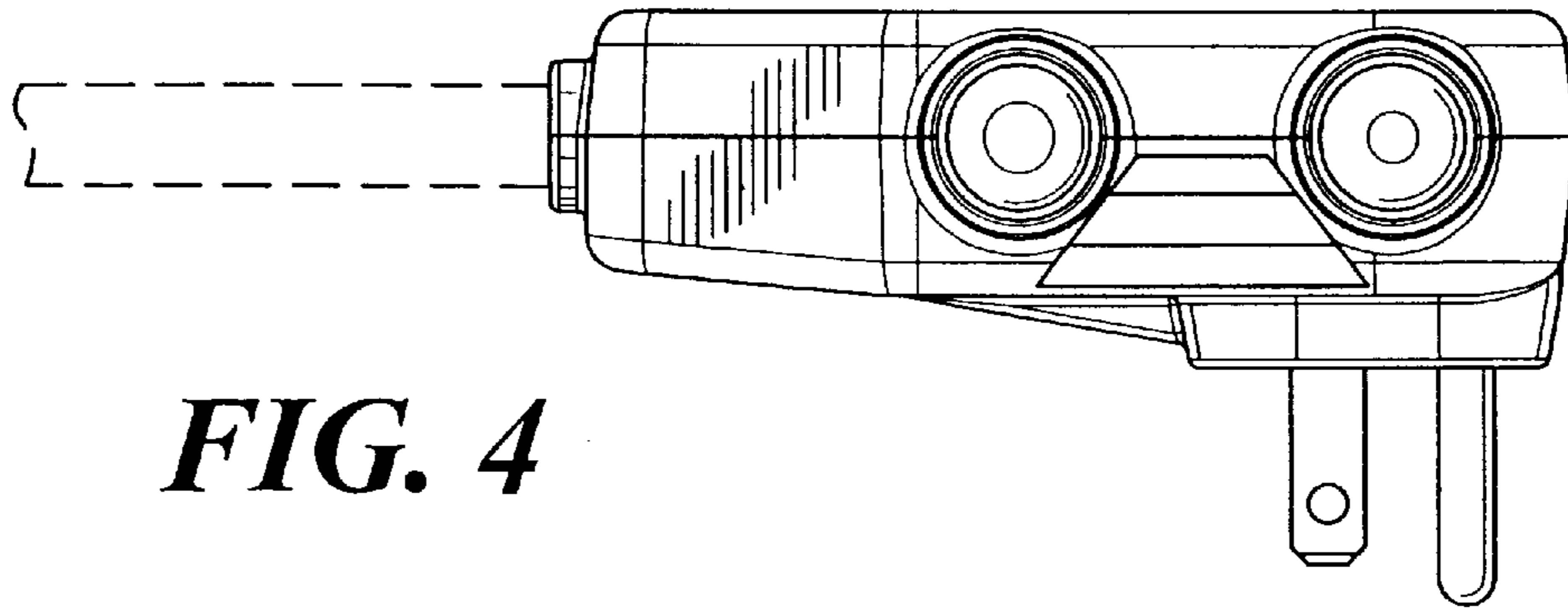
**FIG. 1**



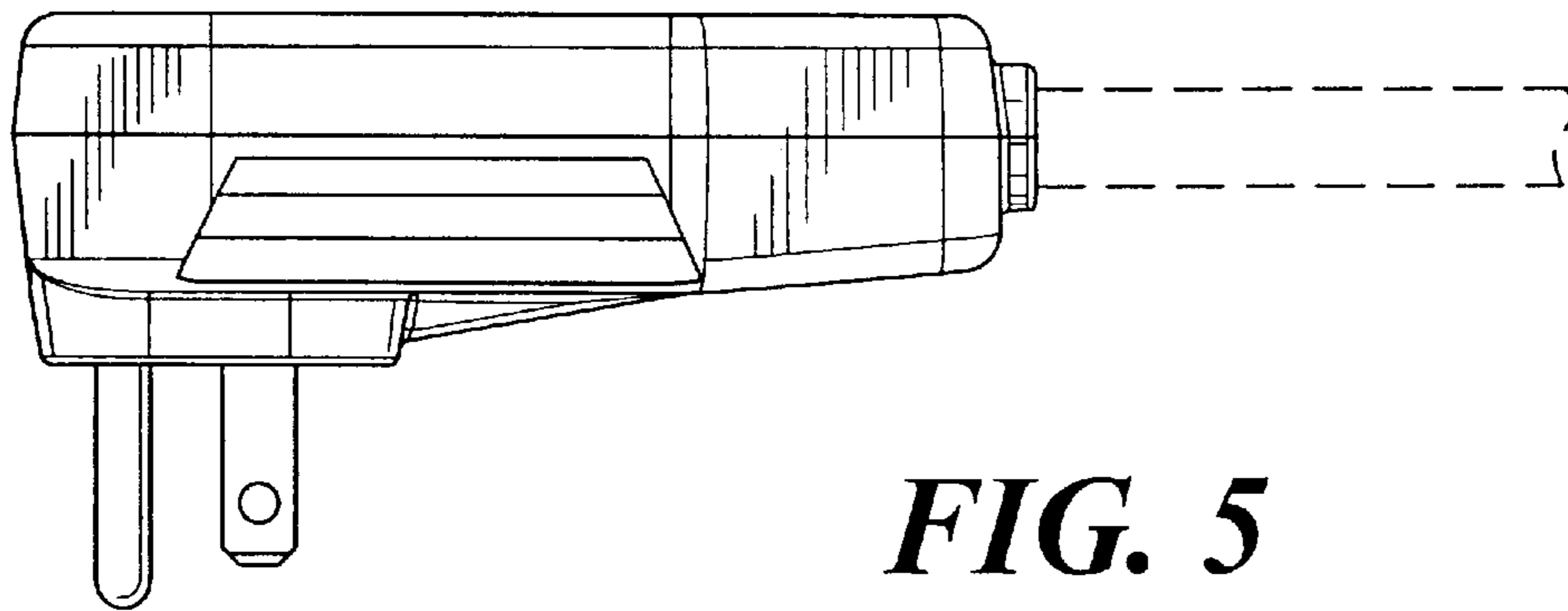
**FIG. 2**



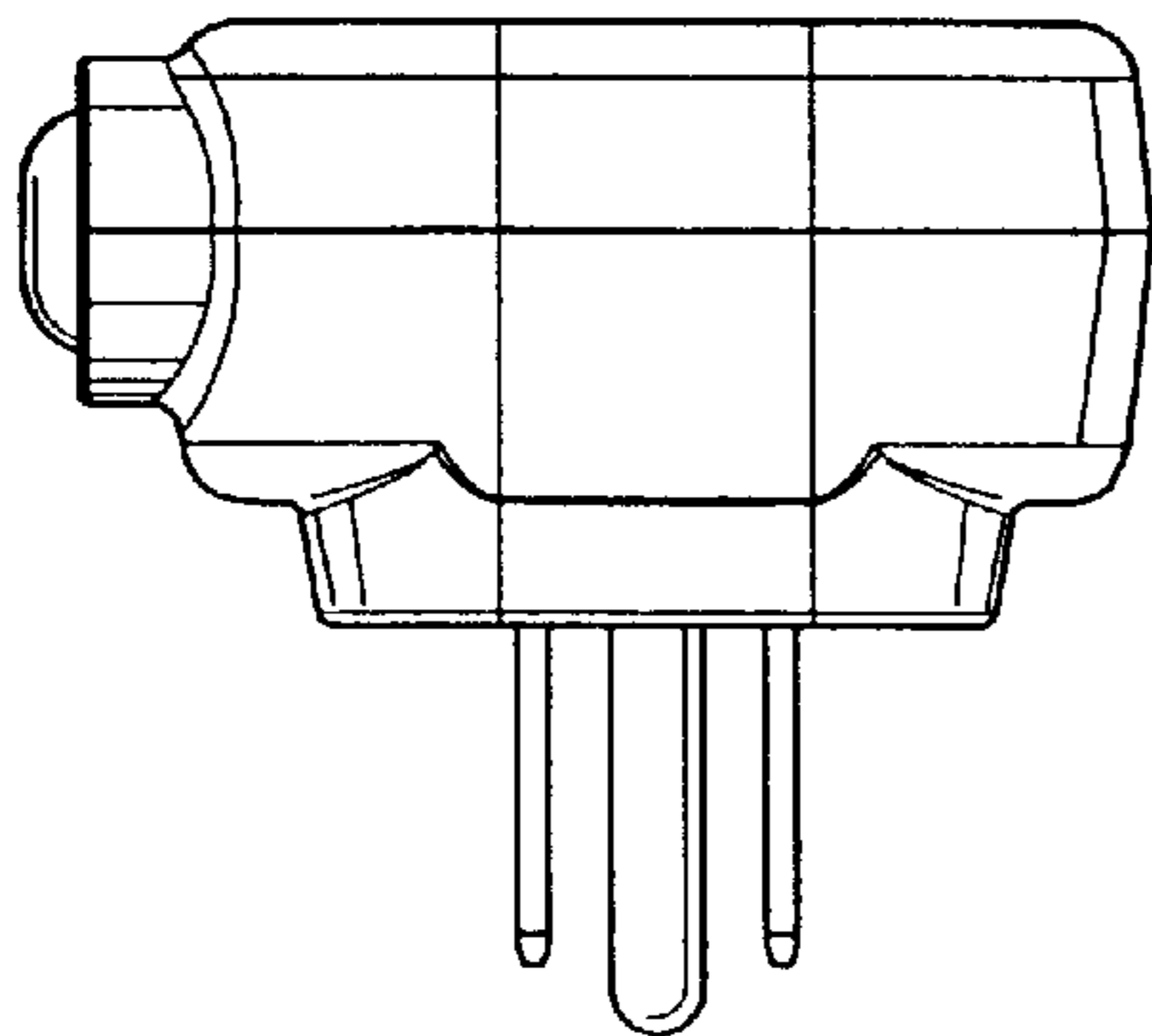
**FIG. 3**



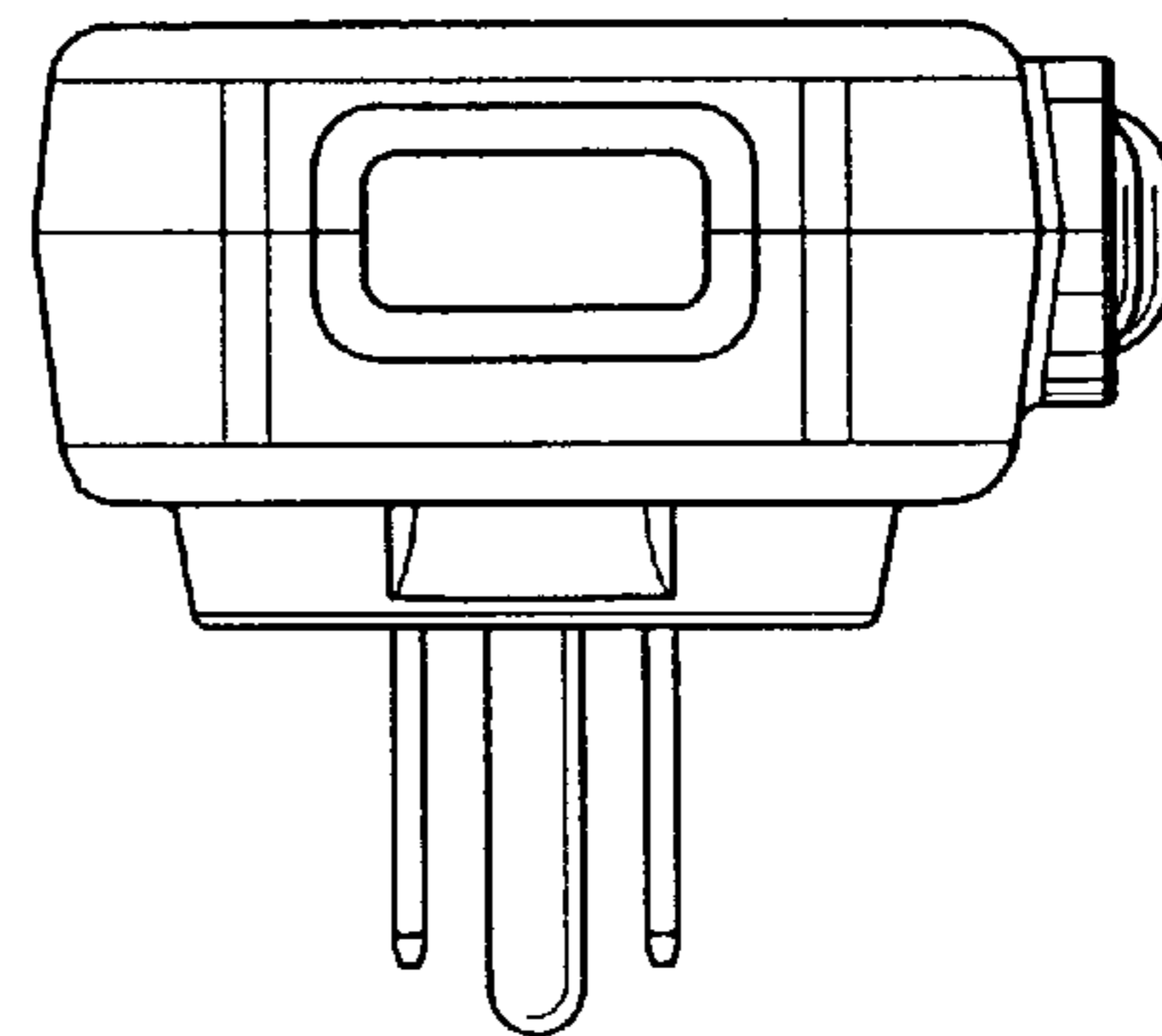
**FIG. 4**



**FIG. 5**



**FIG. 6**



**FIG. 7**