



US00D511464S

(12) **United States Design Patent** (10) **Patent No.:** **US D511,464 S**
Py et al. (45) **Date of Patent:** **** Nov. 15, 2005**

(54) **VALVE FOR A TUBE**
(75) Inventors: **Daniel Py**, Stamford, CT (US);
Norbert M. Assion, Shelton, CT (US);
Julian V. Chan, Spring Valley, NY
(US); **Giovanni Rodriguez**, Stamford,
CT (US)
(73) Assignee: **Medical Instill Technologies, Inc.**,
New Milford, CT (US)
(**) Term: **14 Years**
(21) Appl. No.: **29/199,062**
(22) Filed: **Feb. 9, 2004**
(51) **LOC (8) Cl.** **09-01**
(52) **U.S. Cl.** **D9/695; D9/442**
(58) **Field of Search** D9/544, 695, 696,
D9/697, 698, 699, 442, 521, 727, 728,
711, 729; 222/94, 105, 107, 192, 181.2;
D28/76, 82, 129; D24/111, 112, 88, 114,
118, 207, 224; 220/DIG. 7, 92, 201, 202,
203.5

4,978,036 A 12/1990 Burd 222/207
5,033,647 A 7/1991 Smith et al. 222/94
5,083,416 A 1/1992 Schneider et al. 53/489
D325,339 S * 4/1992 Jones D9/697
5,108,007 A 4/1992 Smith et al. 222/95
5,178,300 A 1/1993 Haviv et al. 222/95
5,197,638 A 3/1993 Wood 222/212
5,226,568 A 7/1993 Newton et al. 222/212
5,318,204 A 6/1994 Davis et al. 222/95
5,320,256 A 6/1994 Wood 222/212
5,320,845 A 6/1994 Py 424/427
5,332,121 A 7/1994 Schmidt et al. 222/95
D350,065 S * 8/1994 Edge et al. D9/697
5,339,972 A 8/1994 Crosnier et al. 215/320
D353,539 S * 12/1994 Linner D9/447
D356,026 S * 3/1995 Iaia et al. D9/697
D358,760 S * 5/1995 Sherman et al. D9/697
5,416,303 A 5/1995 Grooms et al. 219/633
5,489,026 A 2/1996 D'Aloia 206/570

(Continued)

FOREIGN PATENT DOCUMENTS

EP 0649795 B1 6/1999 47/20
EP 0673852 B1 2/2000 47/20

Primary Examiner—Stella Reid
Assistant Examiner—Jean E. McCormick
(74) *Attorney, Agent, or Firm*—McCarter & English, LLP

(56) **References Cited**

U.S. PATENT DOCUMENTS

D99,424 S * 4/1936 Vaulchier D9/697
2,128,035 A 8/1938 Boetel 221/60
D188,397 S * 7/1960 Hulsh D4/114
3,412,910 A 11/1968 Hahn 222/494
3,648,903 A 3/1972 Marchant 222/212
3,669,323 A 6/1972 Harker et al. 222/490
3,963,814 A 6/1976 Cospen et al. 264/23
4,002,516 A 1/1977 Gaborieau et al. 156/69
4,102,476 A 7/1978 Loeffler 222/209
4,141,474 A 2/1979 Nilson 222/493
4,513,891 A 4/1985 Hain et al. 222/213
4,699,300 A 10/1987 Blake 222/494
4,737,148 A 4/1988 Blake 604/126
4,739,906 A 4/1988 LoTurco 222/153
4,842,165 A 6/1989 Van Coney 222/95
4,895,279 A 1/1990 Schultz 222/321
4,923,480 A 5/1990 Monestere 8/507
4,949,877 A 8/1990 Hanna et al. 222/341

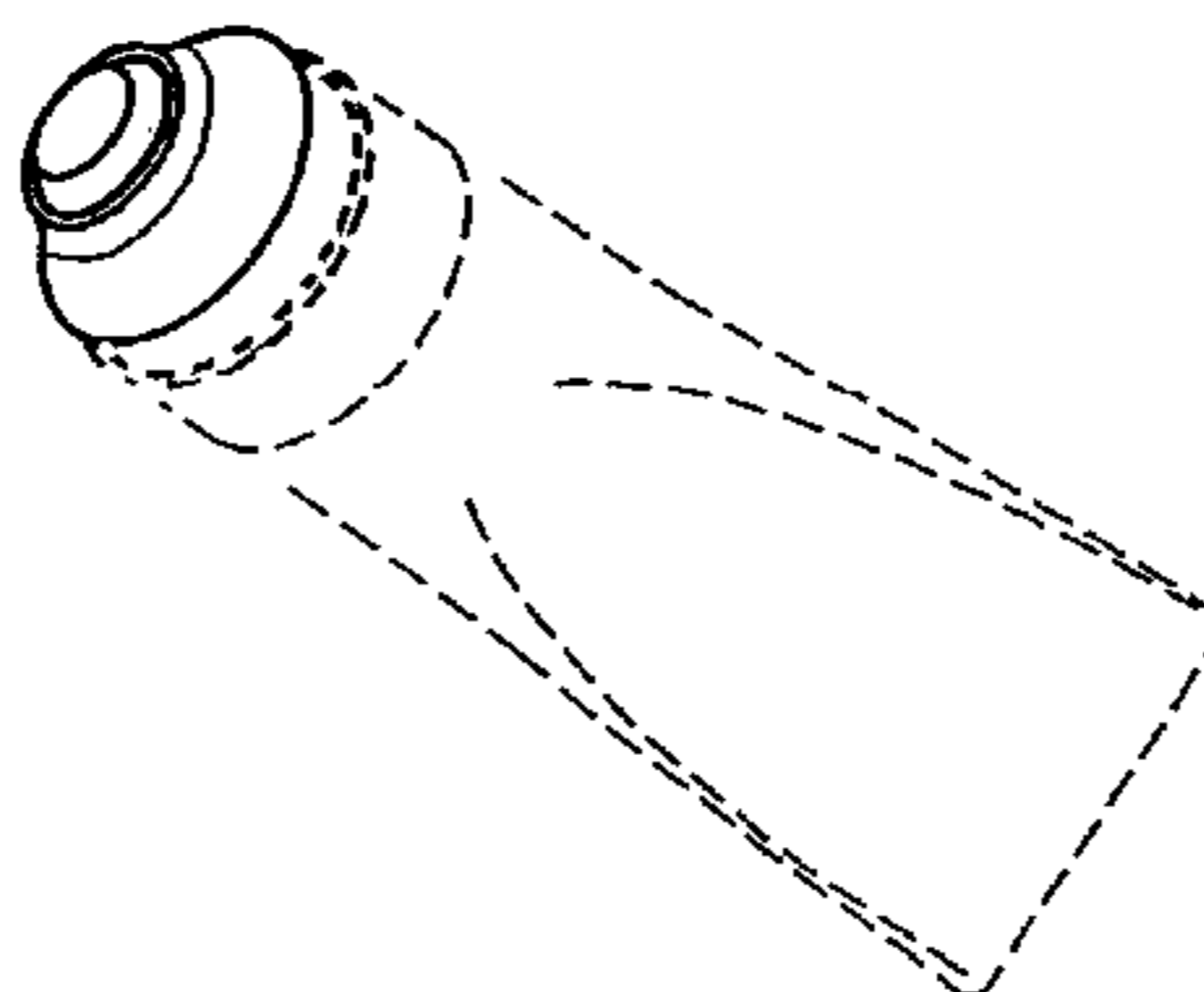
(57) **CLAIM**

The ornamental design for a valve for a tube, as shown and described.

DESCRIPTION

FIG. 1 is a perspective view of a valve for a tube showing our new design.
FIG. 2 is a side elevational view thereof, the opposite side elevational view being identical.
FIG. 3 is a top plan view thereof, the bottom plan view being identical.
FIG. 4 is a front end elevational view thereof; and,
FIG. 5 is a rear elevational view thereof.
The broken lines in the figures show boundaries of the invention and form no part of the claimed design.

1 Claim, 3 Drawing Sheets

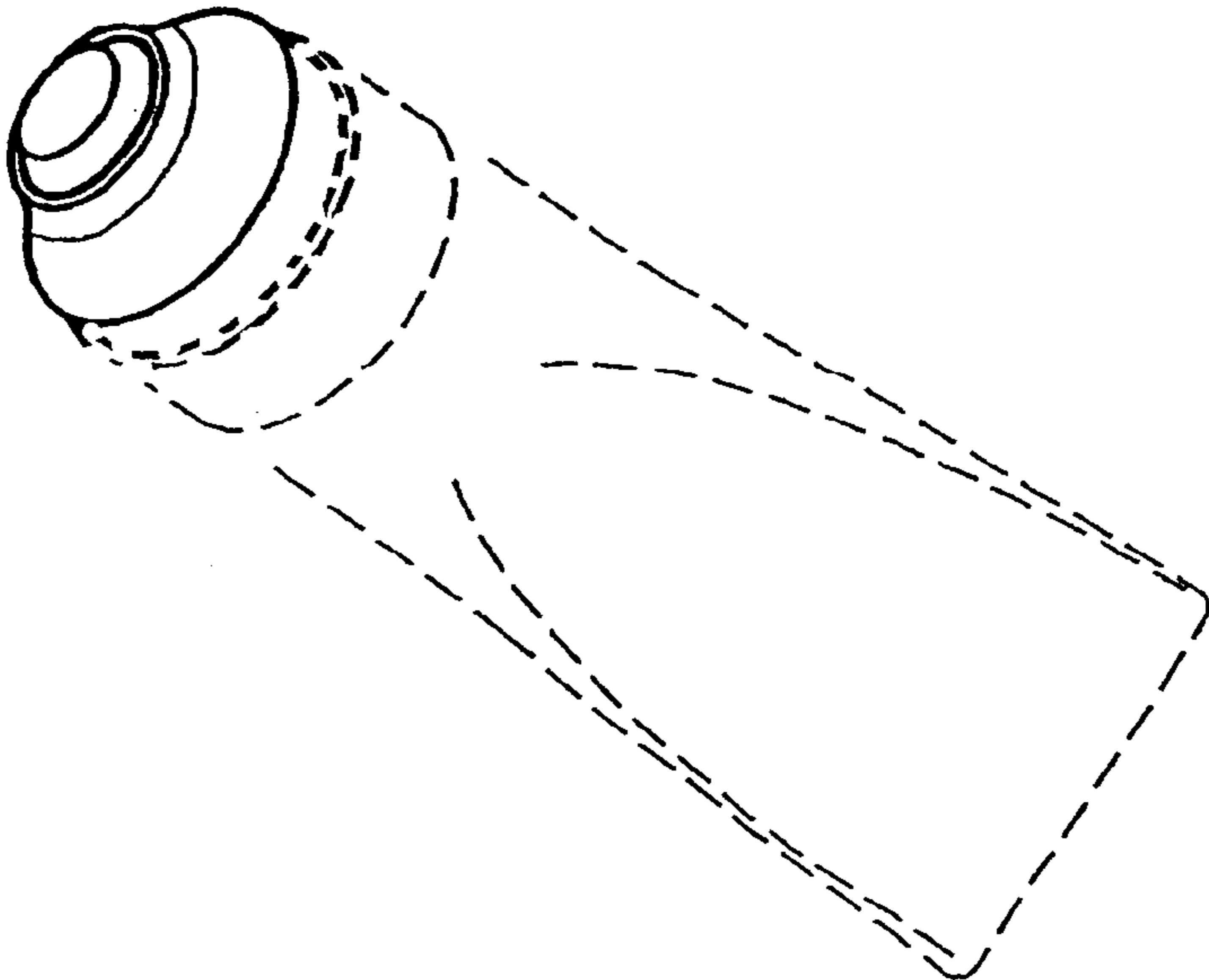


U.S. PATENT DOCUMENTS

5,489,027 A	2/1996	Goerigk	206/570	6,062,437 A	5/2000	Mascitelli	222/212
5,497,910 A	3/1996	Meadows et al.	222/95	6,071,523 A *	6/2000	Mehta et al.	424/400
5,556,678 A	9/1996	Jupin et al.	428/36.6	6,083,450 A	7/2000	Safian	264/515
5,564,596 A	10/1996	Meadows et al.	222/94	D429,146 S *	8/2000	Thibiant et al.	D9/697
5,582,328 A *	12/1996	Brown	222/23	6,145,707 A	11/2000	Baudin	222/189.09
5,582,330 A	12/1996	Iba	222/212	6,170,705 B1	1/2001	Schneider et al.	222/92
5,609,273 A	3/1997	Firestone et al.	222/215	6,202,901 B1	3/2001	Gerber et al.	222/494
5,664,704 A	9/1997	Meadows et al.	222/209	6,254,579 B1	7/2001	Cogger et al.	604/298
5,692,651 A	12/1997	Fuchs	222/494	6,267,768 B1	7/2001	Deacon et al.	606/107
5,718,334 A	2/1998	Demel	206/438	6,283,976 B1	9/2001	Portney	606/107
5,727,892 A	3/1998	Baudin	401/263	6,301,767 B1	10/2001	Granger et al.	29/469.5
5,730,322 A	3/1998	Iba et al.	222/42	6,306,423 B1	10/2001	Donovan et al.	424/423
5,743,441 A	4/1998	Baudin et al.	222/212	6,312,708 B1	11/2001	Donovan	424/423
5,759,218 A	6/1998	Martin et al.	55/385.1	6,325,253 B1	12/2001	Robinson	222/212
5,799,837 A	9/1998	Firestone et al.	222/215	6,351,924 B1	3/2002	Gustafsson et al.	53/425
5,823,397 A	10/1998	Gil	222/181.3	6,383,509 B1	5/2002	Donovan et al.	424/423
D401,138 S *	11/1998	Rosen et al.	D9/697	6,386,395 B1	5/2002	Lunghetti	222/213
5,855,302 A	1/1999	Fisscher	222/207	D459,212 S *	6/2002	Gobe	D9/697
5,899,624 A	5/1999	Thompson	401/206	6,428,545 B2	8/2002	Portney	606/107
5,921,989 A	7/1999	Deacon et al.	606/107	6,446,844 B1	9/2002	Gross	222/494
5,934,500 A	8/1999	Cogger et al.	220/495.06	6,450,994 B1	9/2002	Boyles et al.	604/294
6,050,444 A	4/2000	Sugg	220/707	2002/0047023 A1 *	4/2002	Haglund et al.	222/107
6,053,370 A	4/2000	Ludbrook et al.	222/207				

* cited by examiner

FIG. 1



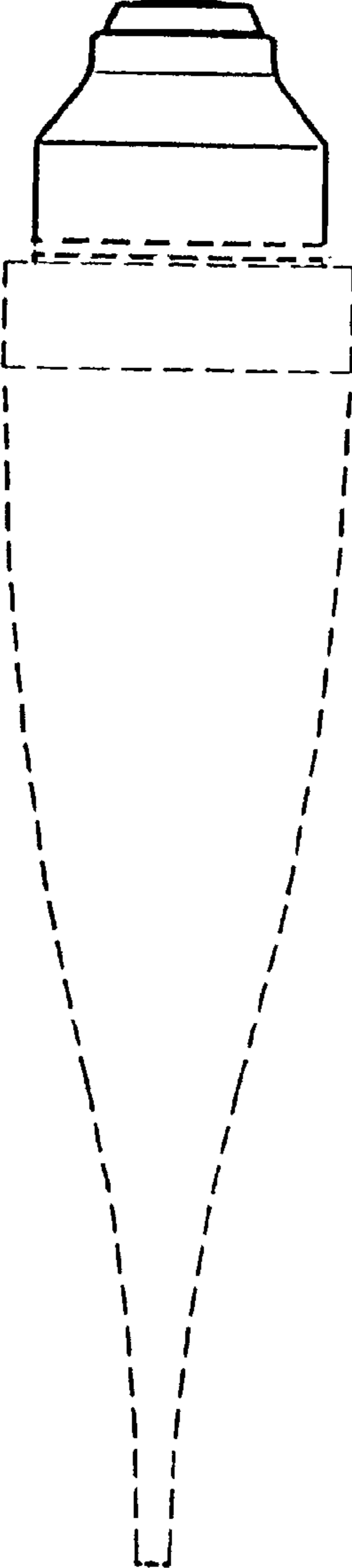


FIG. 2

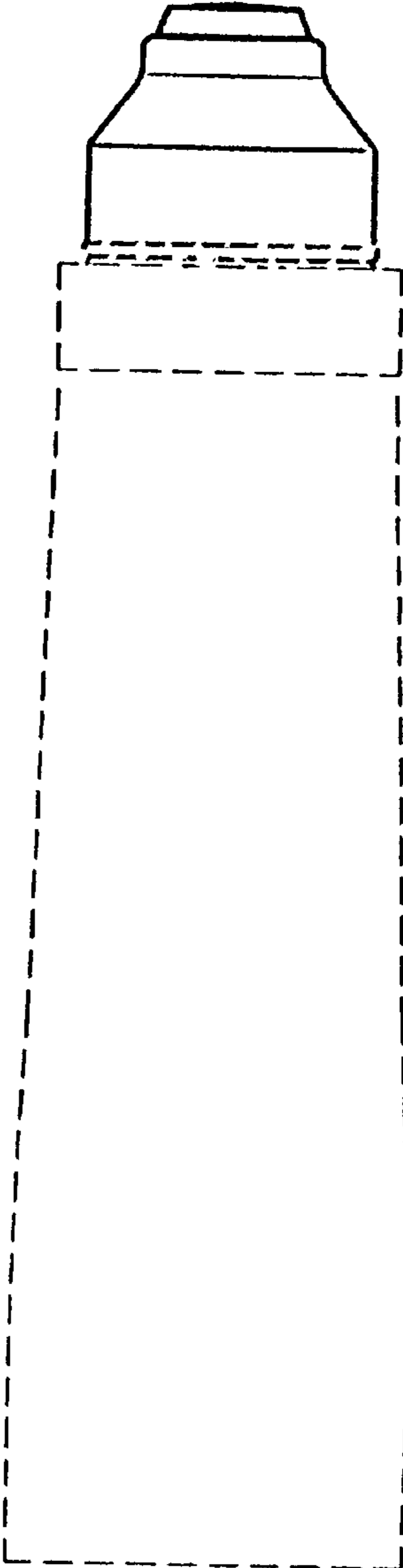


FIG. 3

FIG. 4

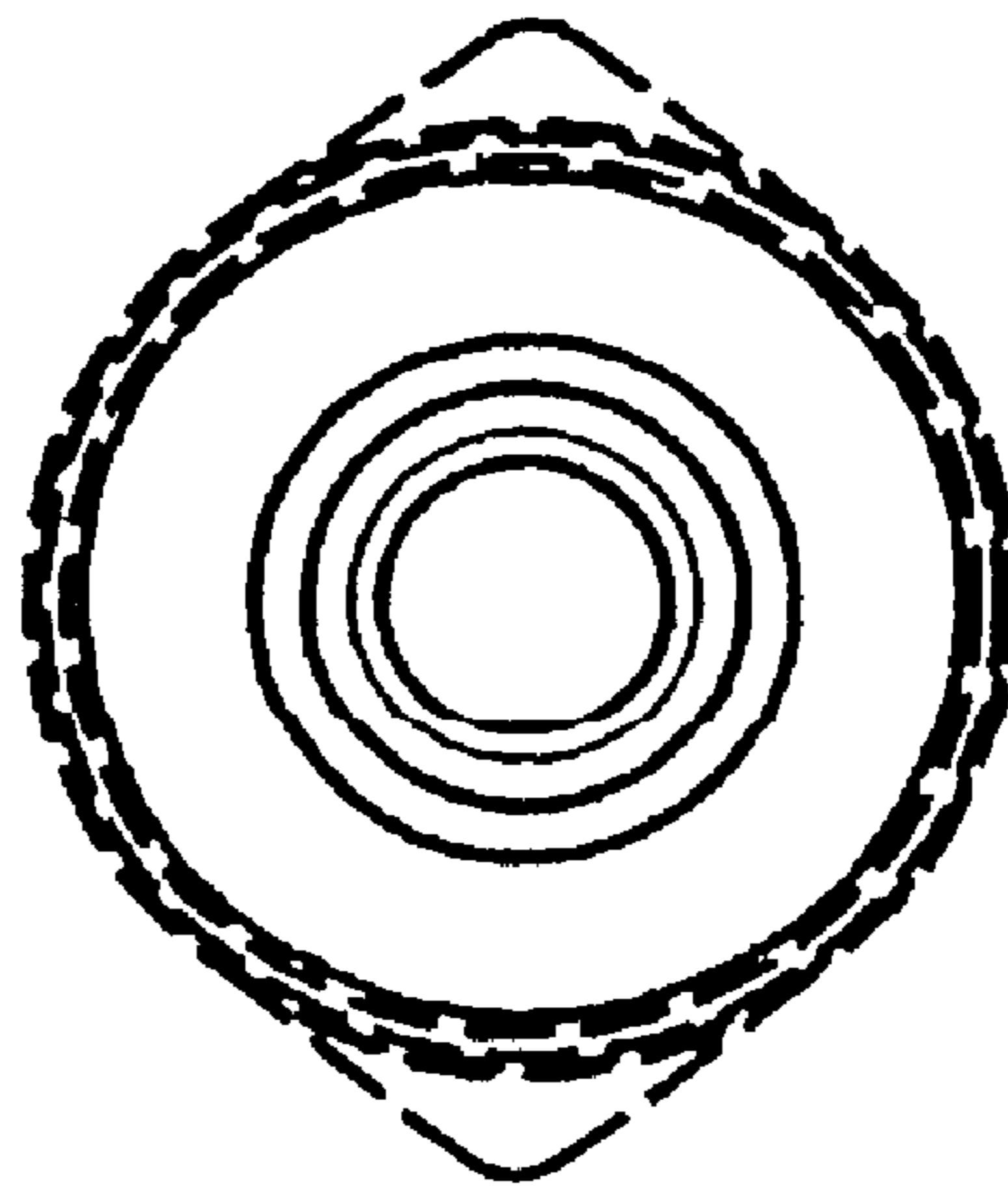


FIG. 5

