



US00D511458S

(12) **United States Design Patent**
Dunwoody et al.

(10) **Patent No.: US D511,458 S**
(45) **Date of Patent: ** Nov. 15, 2005**

(54) **CAN WITH CLOSURES**
(75) Inventors: **Paul Robert Dunwoody**, Wantage (GB); **Philip Alan Marriott**, Wantage (GB); **Sudesh Kumar Nayar**, Swindon (GB)

D409,945 S * 5/1999 Hensen D11/152
D409,946 S * 5/1999 Hensen D11/152
D426,160 S * 6/2000 Lindsay et al. D9/500
D429,150 S * 8/2000 Lindsay et al. D9/425
D439,517 S * 3/2001 Lindsay et al. D9/500
D445,677 S * 7/2001 Lindsay et al. D9/429
D491,019 S * 6/2004 Marsden et al. D7/523

(73) Assignee: **Crown Cork & Seal Technologies Corporation**, Alsip, IL (US)

* cited by examiner

(**) Term: **14 Years**

Primary Examiner—Stella Reid
Assistant Examiner—Shanda C. Hill

(21) Appl. No.: **29/204,015**

(74) *Attorney, Agent, or Firm*—Diller, Ramik & Wight

(22) Filed: **Apr. 23, 2004**

(57) **CLAIM**

(30) **Foreign Application Priority Data**

The ornamental design for a can with closures, as shown and described.

Oct. 23, 2003 (EP) 000095732

DESCRIPTION

(51) **LOC (8) Cl.** **09-01**
(52) **U.S. Cl.** **D9/500**
(58) **Field of Search** D9/500–504, 513, D9/516, 529, 549, 414, 424, 425, 428; D7/523, 584, 602; D11/152; 215/200, 208, 213, 224, 241, 242, 253, 254, 274, 316, 386, 387, 392

FIG. 1 is a side elevational view of a can with closures showing our new design without the closures attached to each end;
FIG. 2 is a top perspective view thereof;
FIG. 3 is a bottom perspective view thereof;
FIG. 4 is a side elevational view of a can with closures with a closure attached to each end;
FIG. 5 is a top perspective view thereof; and,
FIG. 6 is a bottom perspective view thereof.
The broken line portion of the disclosure is for illustrative purposes only and forms no part of the claimed design.

(56) **References Cited**

U.S. PATENT DOCUMENTS

D234,180 S * 1/1975 Dart et al. D7/584
D248,006 S * 5/1978 Christian D7/584

1 Claim, 2 Drawing Sheets

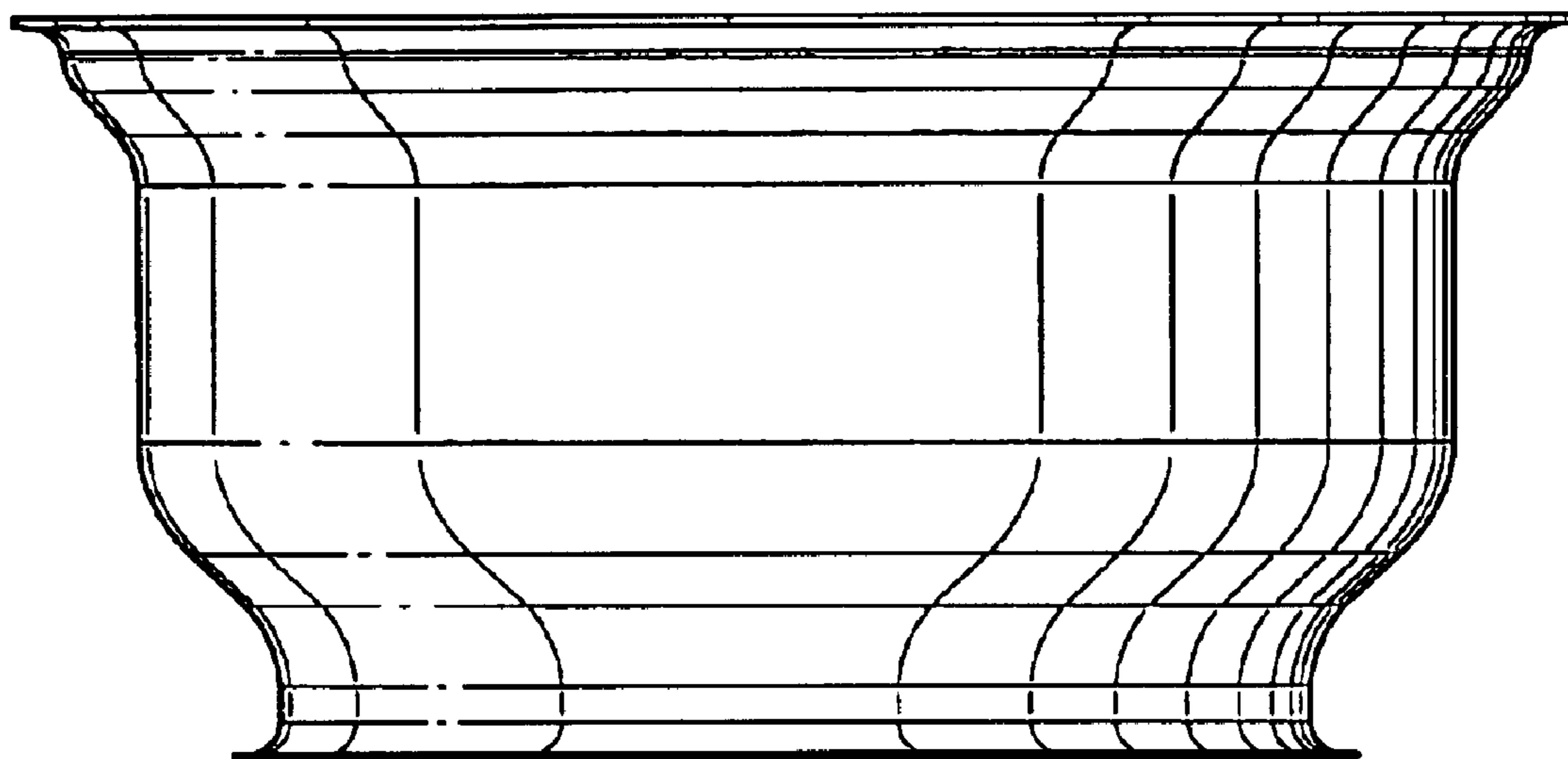


FIG.1

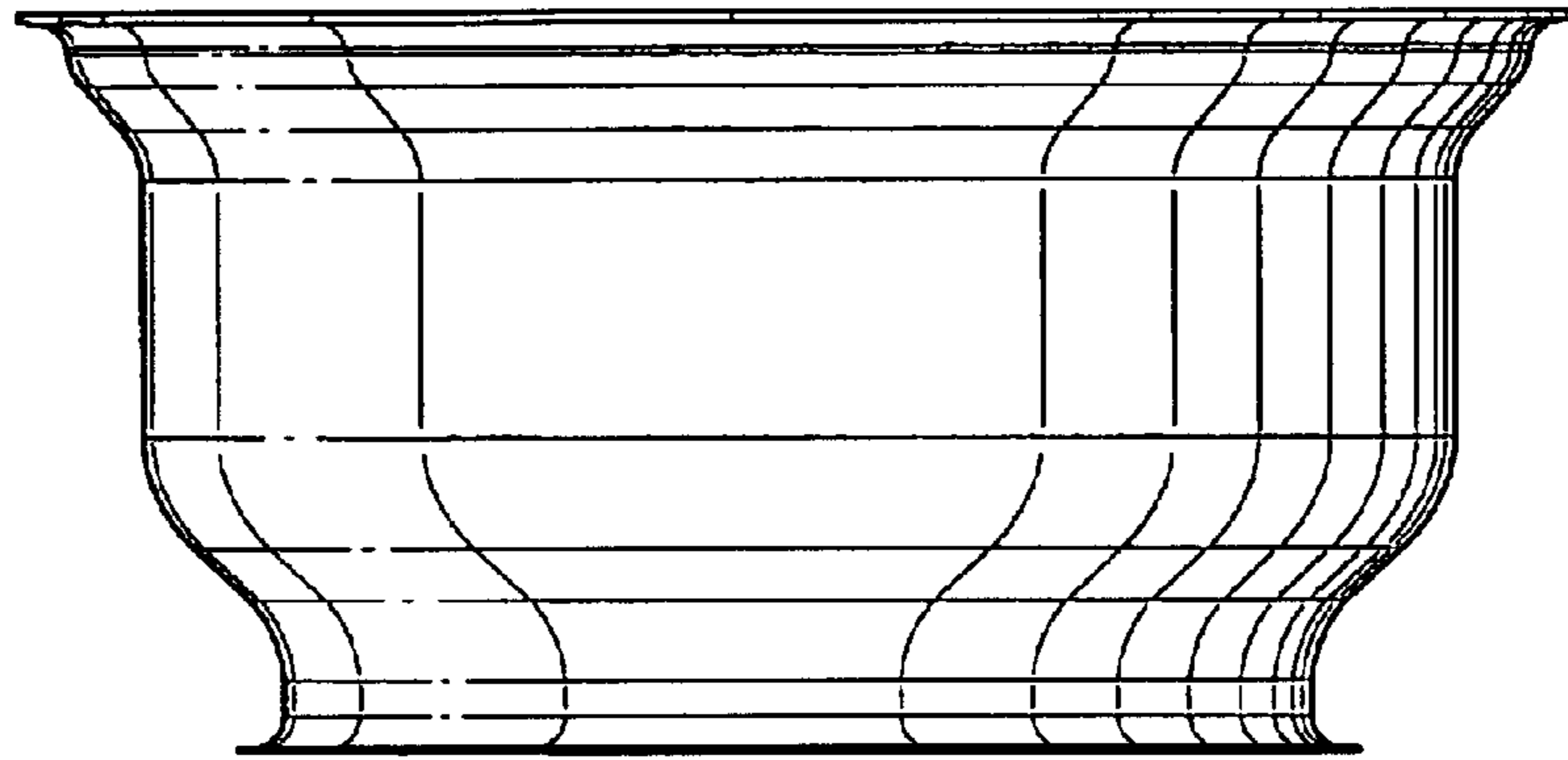


FIG.2

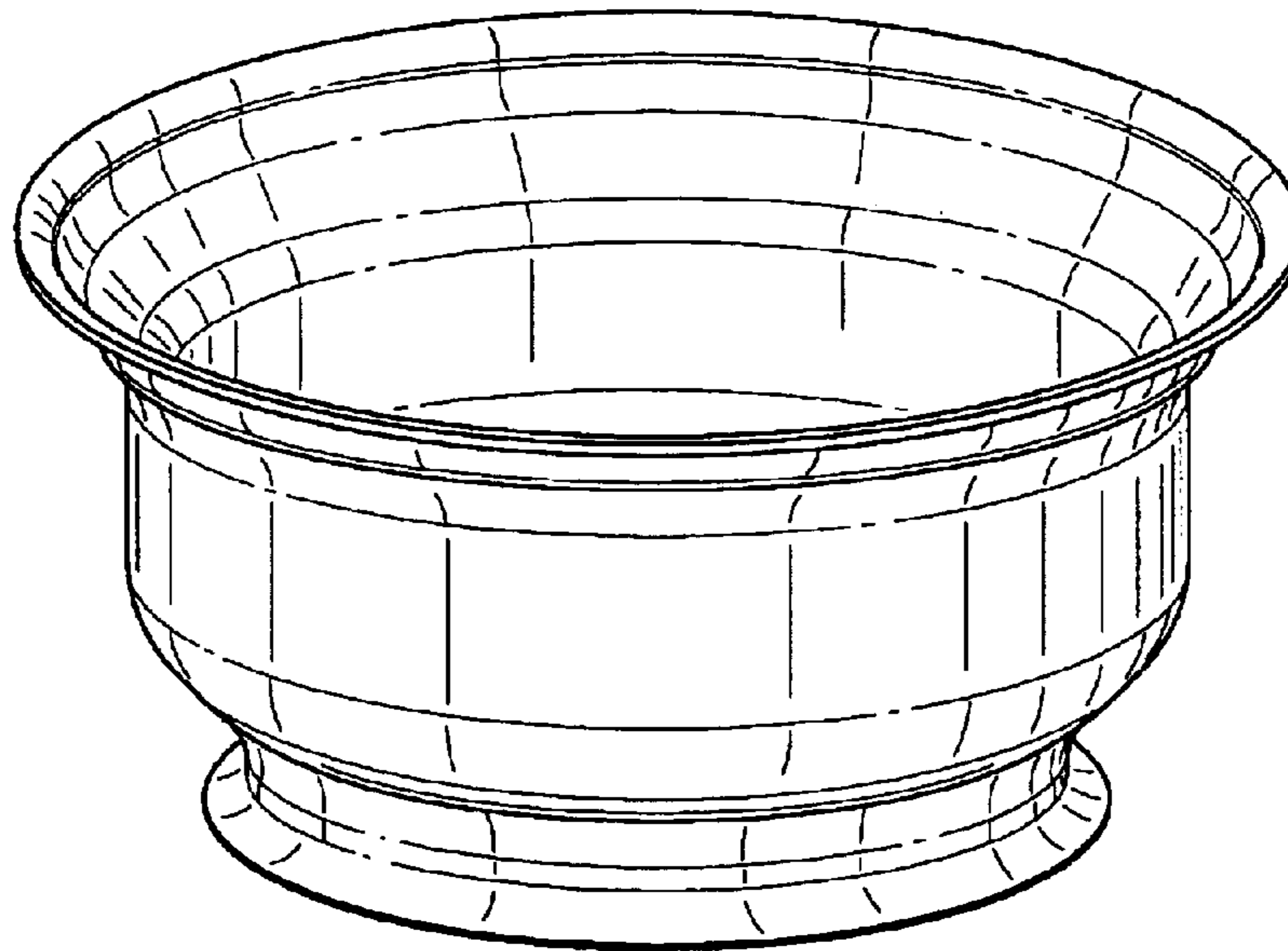


FIG.3

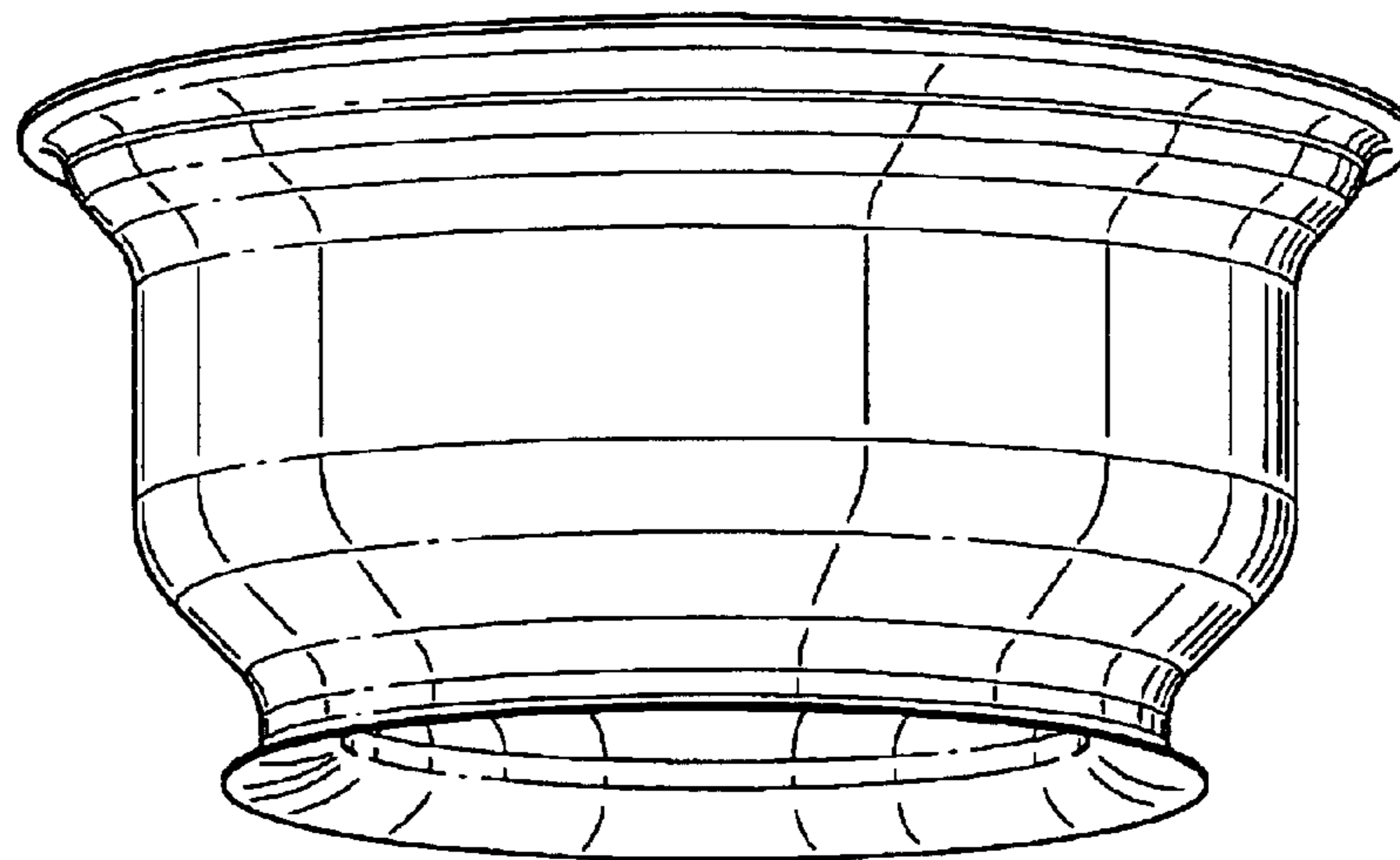


FIG.4

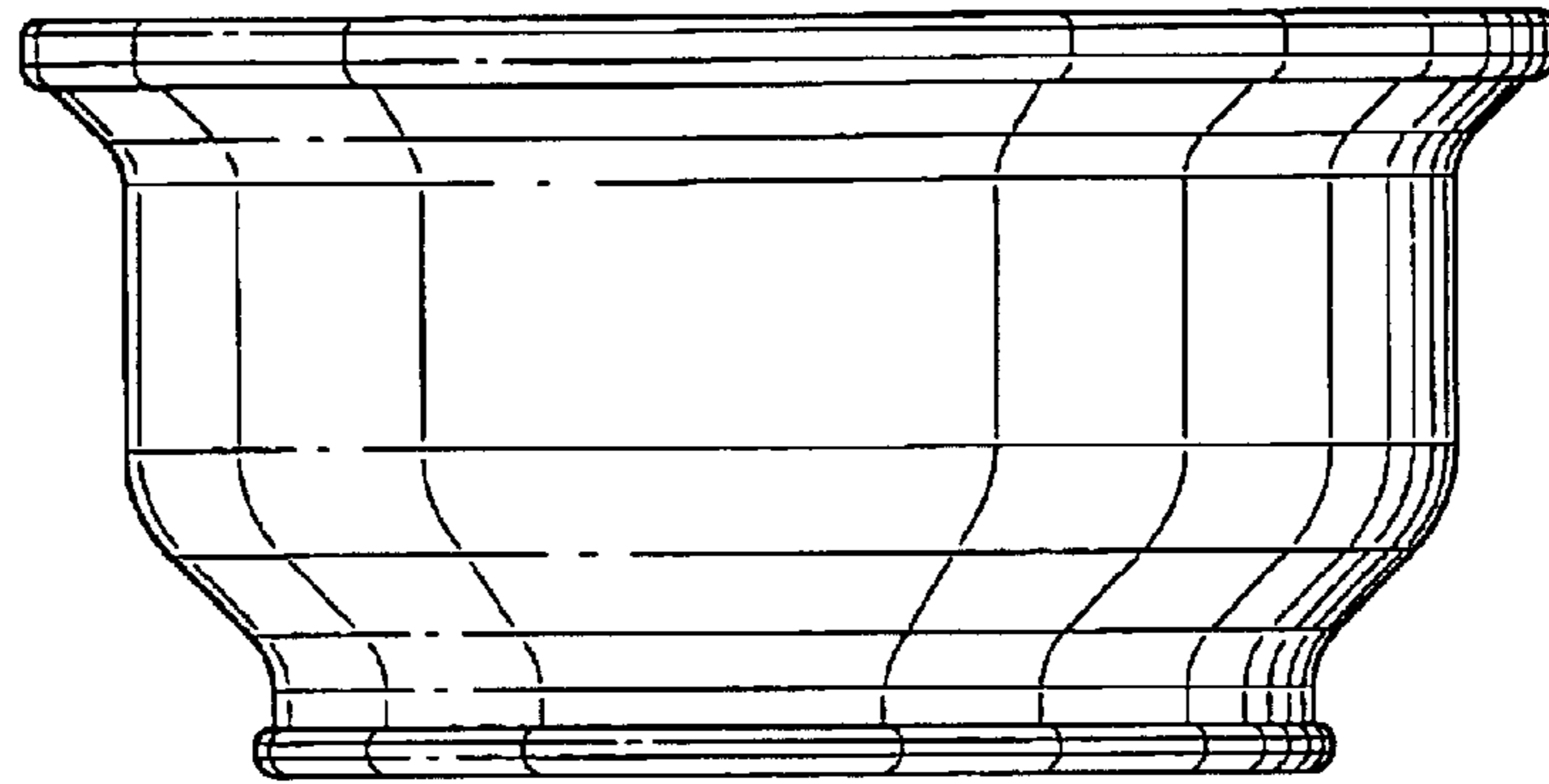


FIG.5

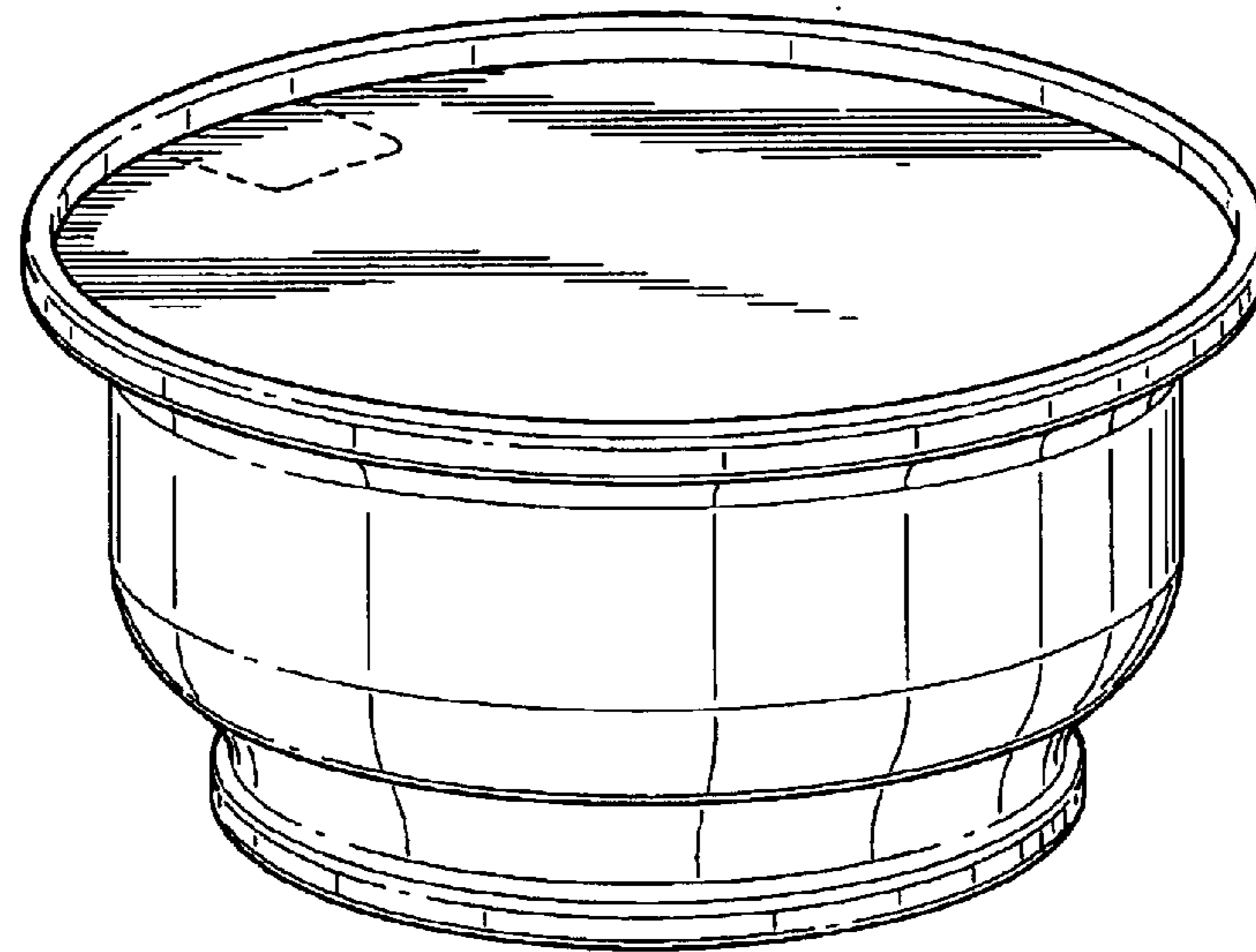


FIG.6

