



US00D511453S

(12) **United States Design Patent**  
**Georgeson et al.**

(10) **Patent No.: US D511,453 S**  
(45) **Date of Patent: \*\* Nov. 15, 2005**

(54) **CT PHANTOM HOUSING**  
(75) Inventors: **Gary E. Georgeson**, Federal Way, WA (US); **James M. Nelson**, Sumner, WA (US); **Richard H. Bossi**, Renton, WA (US); **Dan Wright**, Mercer Island, WA (US); **Bob Carlsen**, Kent, WA (US)

(73) Assignee: **The Boeing Company**, Chicago, IL (US)

(\*\*) Term: **14 Years**

(21) Appl. No.: **29/191,759**

(22) Filed: **Oct. 14, 2003**

(51) **LOC (8) Cl.** ..... **09-03**

(52) **U.S. Cl.** ..... **D9/430**

(58) **Field of Search** ..... D9/430, 737, 414, D9/424, 431; 378/207, 210; 206/242; 250/252.1; 73/1.86; 436/8

(56) **References Cited**

**U.S. PATENT DOCUMENTS**

4,331,021 A \* 5/1982 Lopez et al. .... 73/1.86  
4,453,408 A \* 6/1984 Clayman ..... 73/1.86  
4,613,754 A \* 9/1986 Vinegar et al. .... 250/252.1  
5,227,627 A \* 7/1993 Gamarnik et al. .... 250/252.1

5,487,468 A \* 1/1996 Sheahan ..... 206/242  
6,190,915 B1 \* 2/2001 Madsen et al. .... 436/8  
D463,272 S \* 9/2002 Kellar ..... D9/431  
D470,049 S \* 2/2003 Gray, III ..... D9/430  
D477,219 S \* 7/2003 Waterhouse et al. .... D9/430  
6,831,269 B2 \* 12/2004 Zyromski ..... 250/252.1

\* cited by examiner

*Primary Examiner*—Stella Reid

*Assistant Examiner*—Mark A. Goodwin

(74) *Attorney, Agent, or Firm*—John A. Artz; Artz & Artz, P.C.

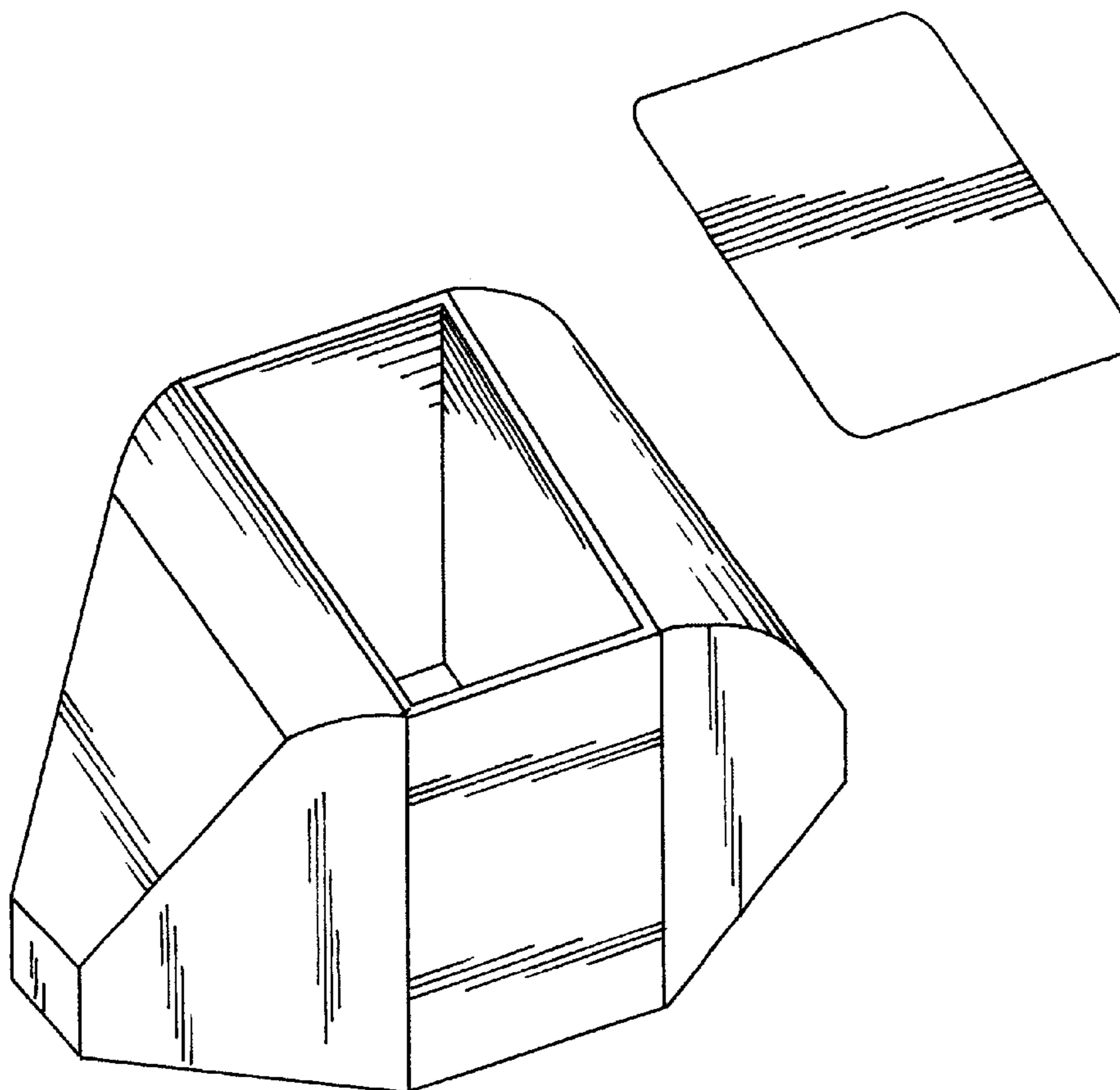
(57) **CLAIM**

The ornamental design for a CT phantom housing, as shown and described.

**DESCRIPTION**

FIG. 1 is a perspective view of the CT phantom housing; FIG. 2 is a side view of the CT phantom housing; FIG. 3 is a top view of the CT phantom housing; FIG. 4 is a first end view of the CT phantom housing, with the opposite end view being a mirror image thereof; FIG. 5 is a bottom plan view of the CT phantom housing; and, FIG. 6 is an exploded perspective view of the CT phantom housing.

**1 Claim, 2 Drawing Sheets**



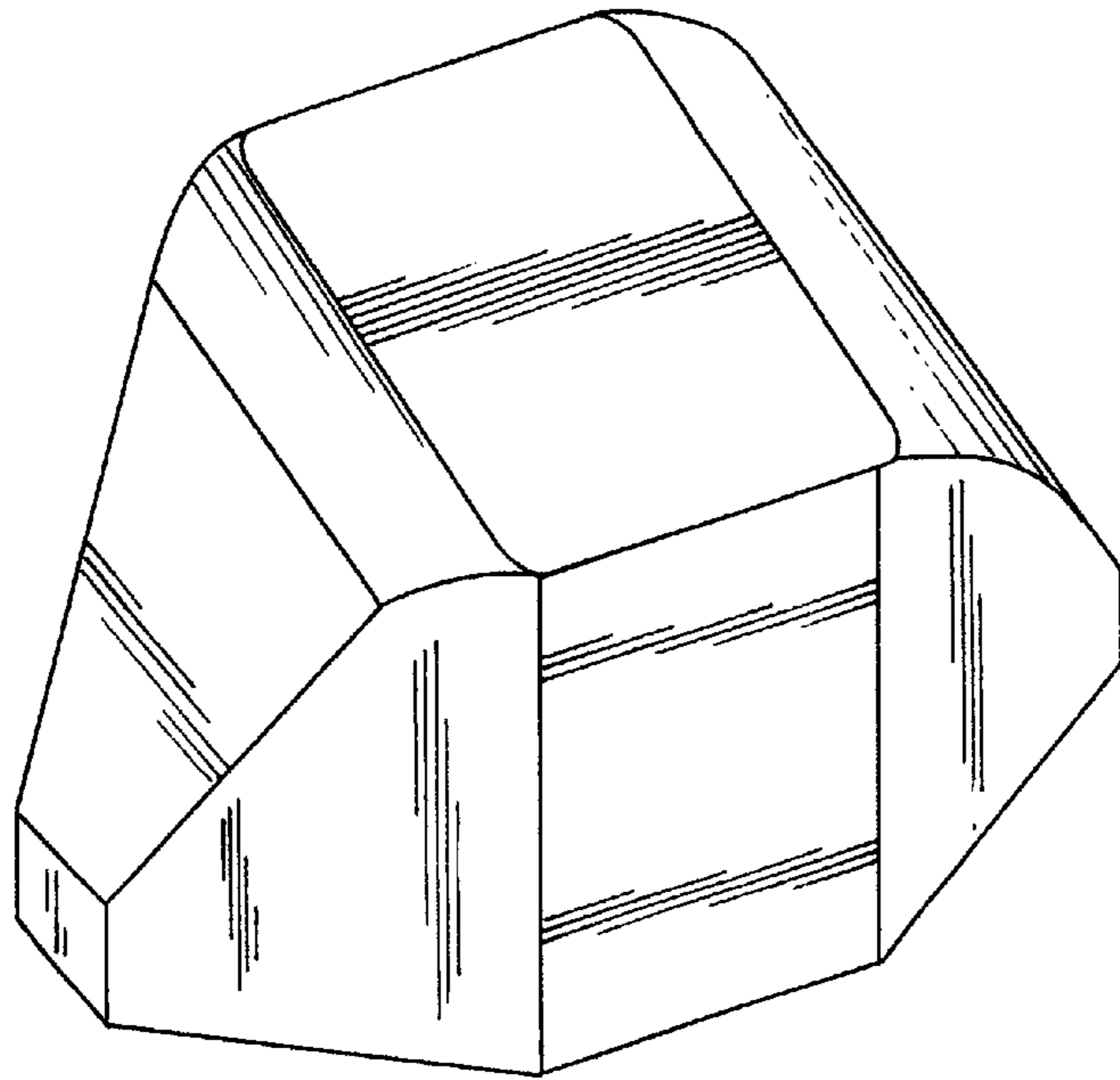


FIG. 1

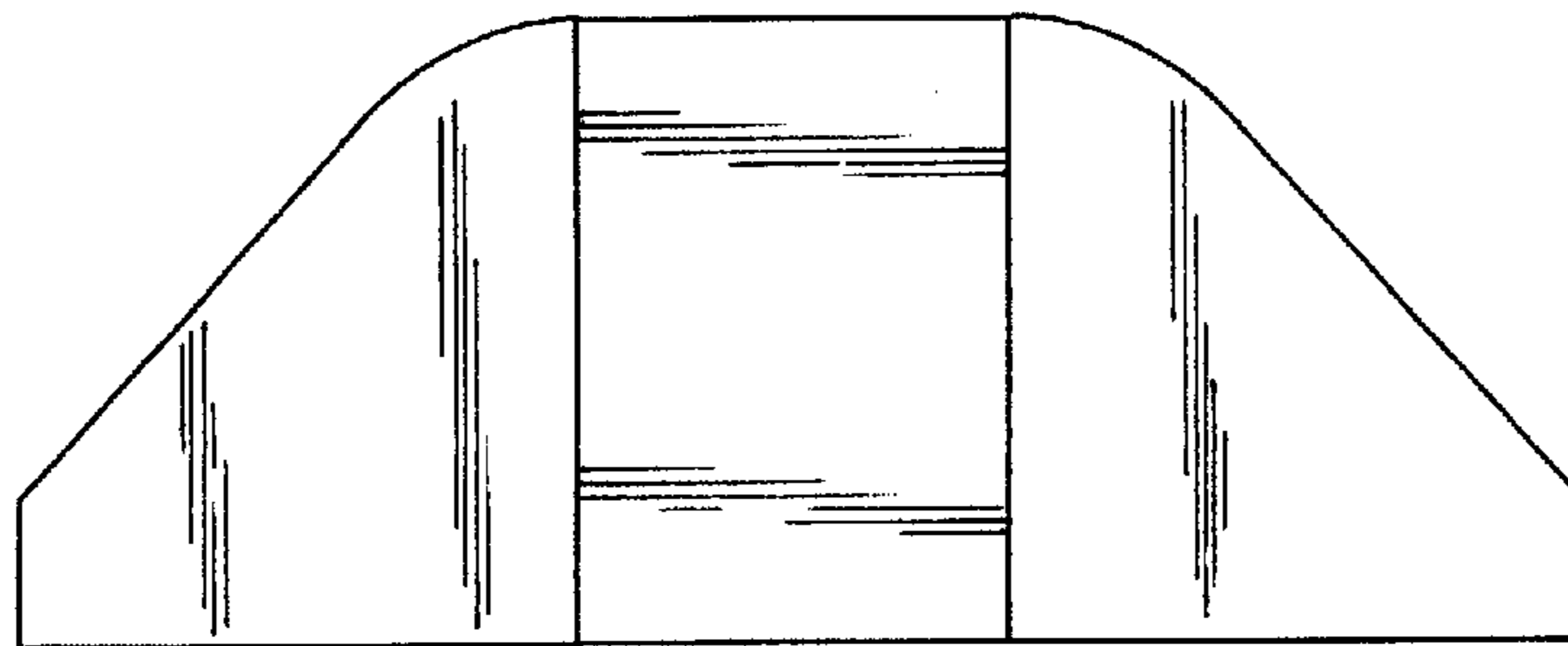


FIG. 2

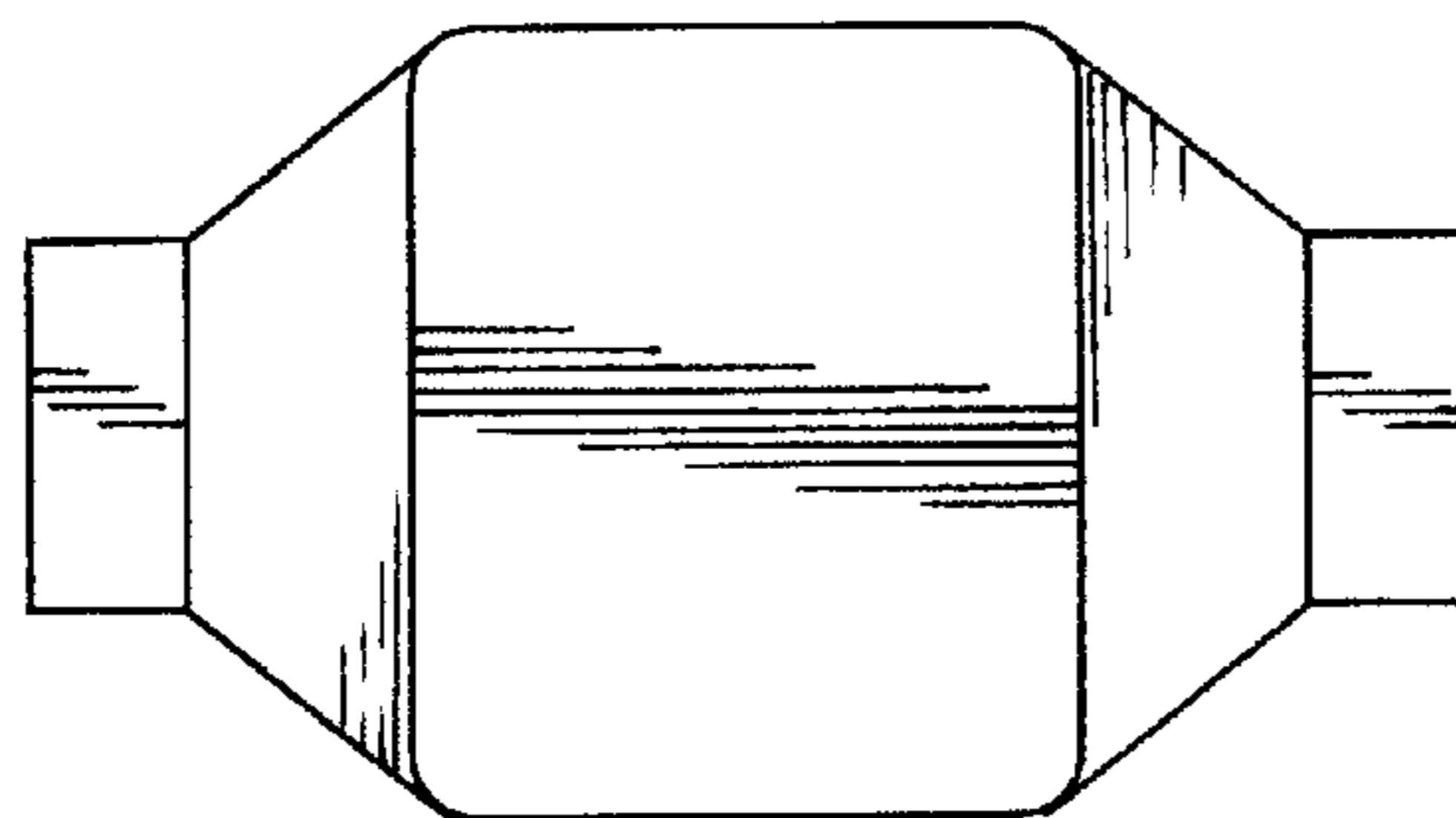


FIG. 3

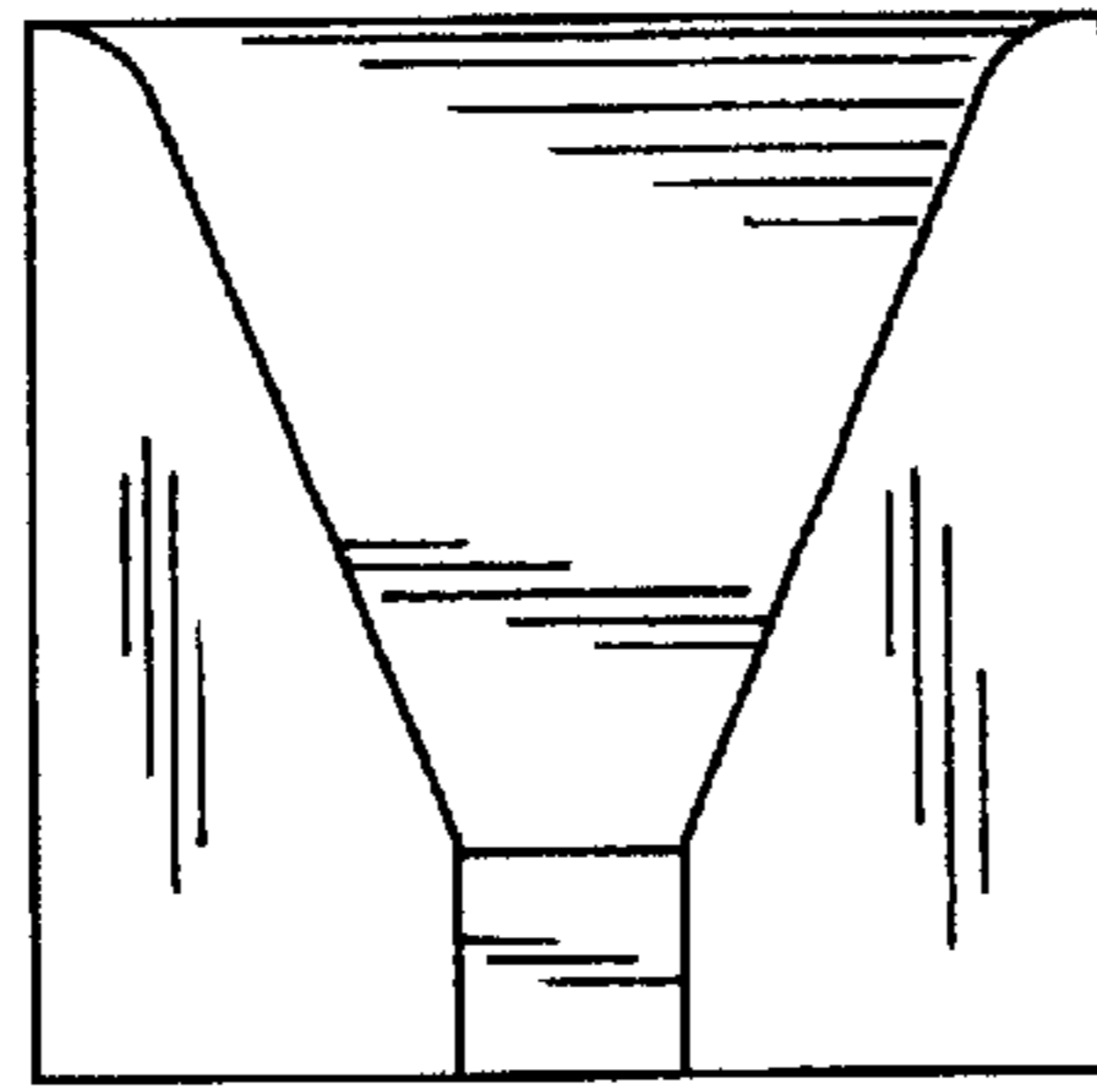


FIG.4

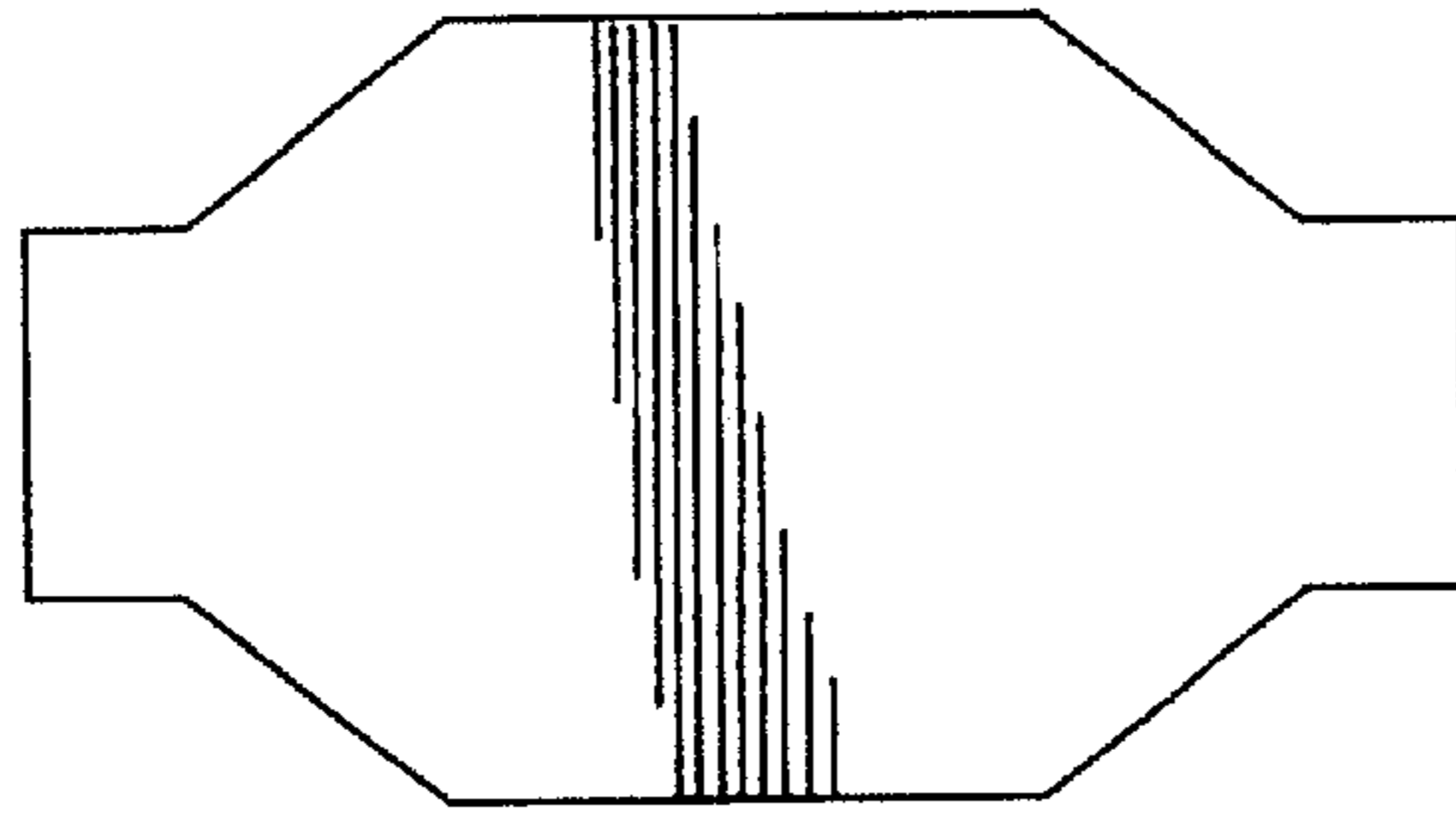


FIG.5

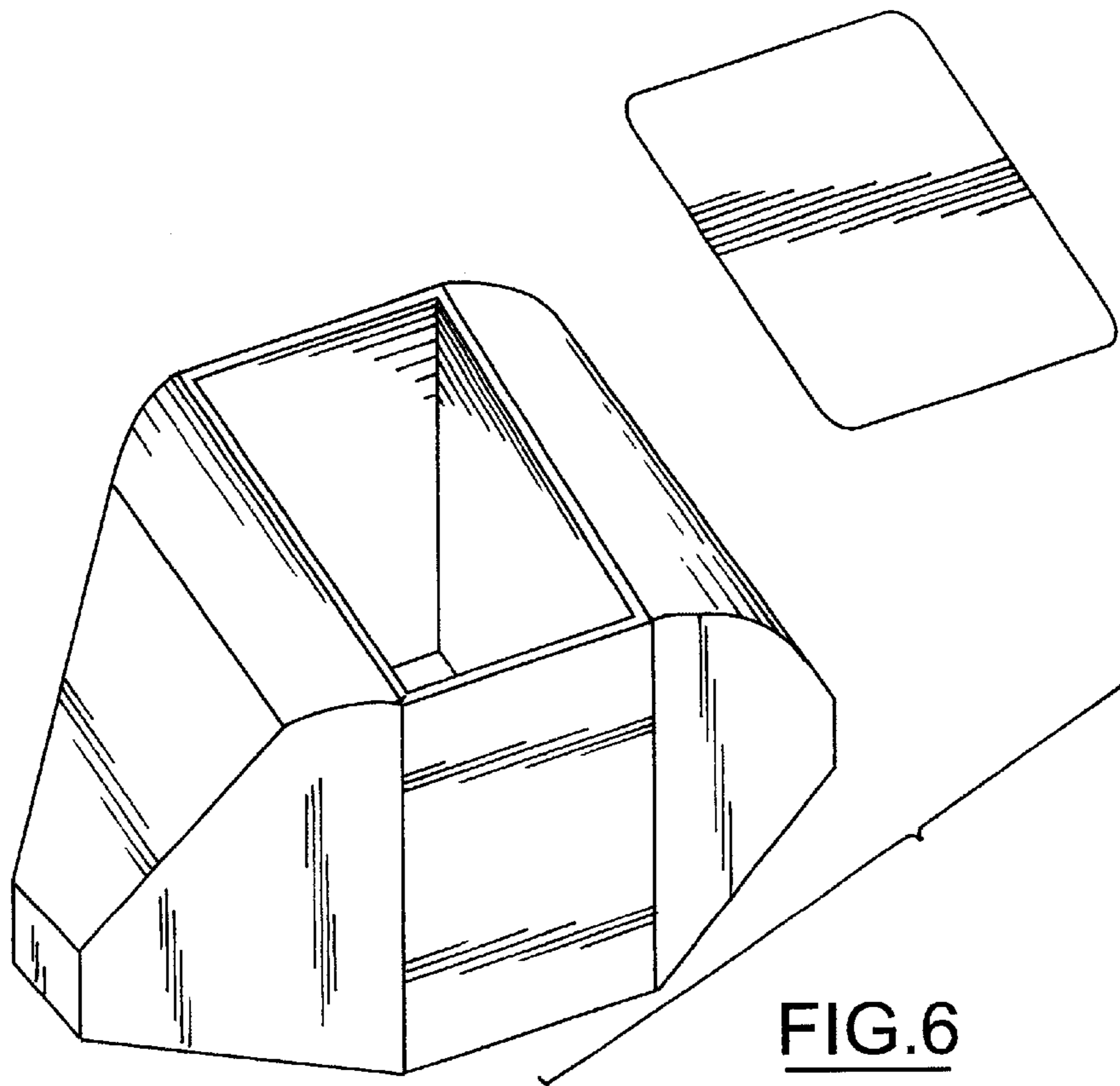


FIG.6