



US00D511445S

(12) **United States Design Patent**
Childs et al.

(10) **Patent No.:** **US D511,445 S**

(45) **Date of Patent:** **** Nov. 15, 2005**

(54) **LONG GUN ASSEMBLY**

(75) Inventors: **Larry C. Childs**, Cotati, CA (US);
Danny Rumrill, 4870 Carriage La.,
Santa Rosa, CA (US) 94931

(73) Assignee: **Danny Rumrill**, Santa Rosa, CA (US)

(**) Term: **14 Years**

(21) Appl. No.: **29/186,853**

(22) Filed: **Jul. 23, 2003**

(51) **LOC (8) Cl.** **08-05**

(52) **U.S. Cl.** **D8/14.1**

(58) **Field of Search** D8/14.1; 222/82-83,
222/391

(56) **References Cited**

U.S. PATENT DOCUMENTS

D354,208 S	*	1/1995	Vega	D8/14.1
D363,405 S	*	10/1995	Elliott, Sr.	D7/669
D388,672 S	*	1/1998	Kelders et al.	D8/14.1
D413,235 S	*	8/1999	Hwang	D8/14.1
D429,451 S	*	8/2000	Taylor	D8/14.1
D455,619 S	*	4/2002	Chang	D8/14.1

* cited by examiner

Primary Examiner—Holly H. Baynham

(74) *Attorney, Agent, or Firm*—William B. Ritchie

(57) **CLAIM**

The ornamental design for a long gun assembly, as shown and described.

DESCRIPTION

FIG. 1 is a perspective view of the long gun assembly in accordance with our new design, taken from the upper forward right-hand corner thereof;

FIG. 2 is a right-side elevational view of the long gun assembly of FIG. 1;

FIG. 3 is a left-side elevational view of the long gun assembly of FIG. 1;

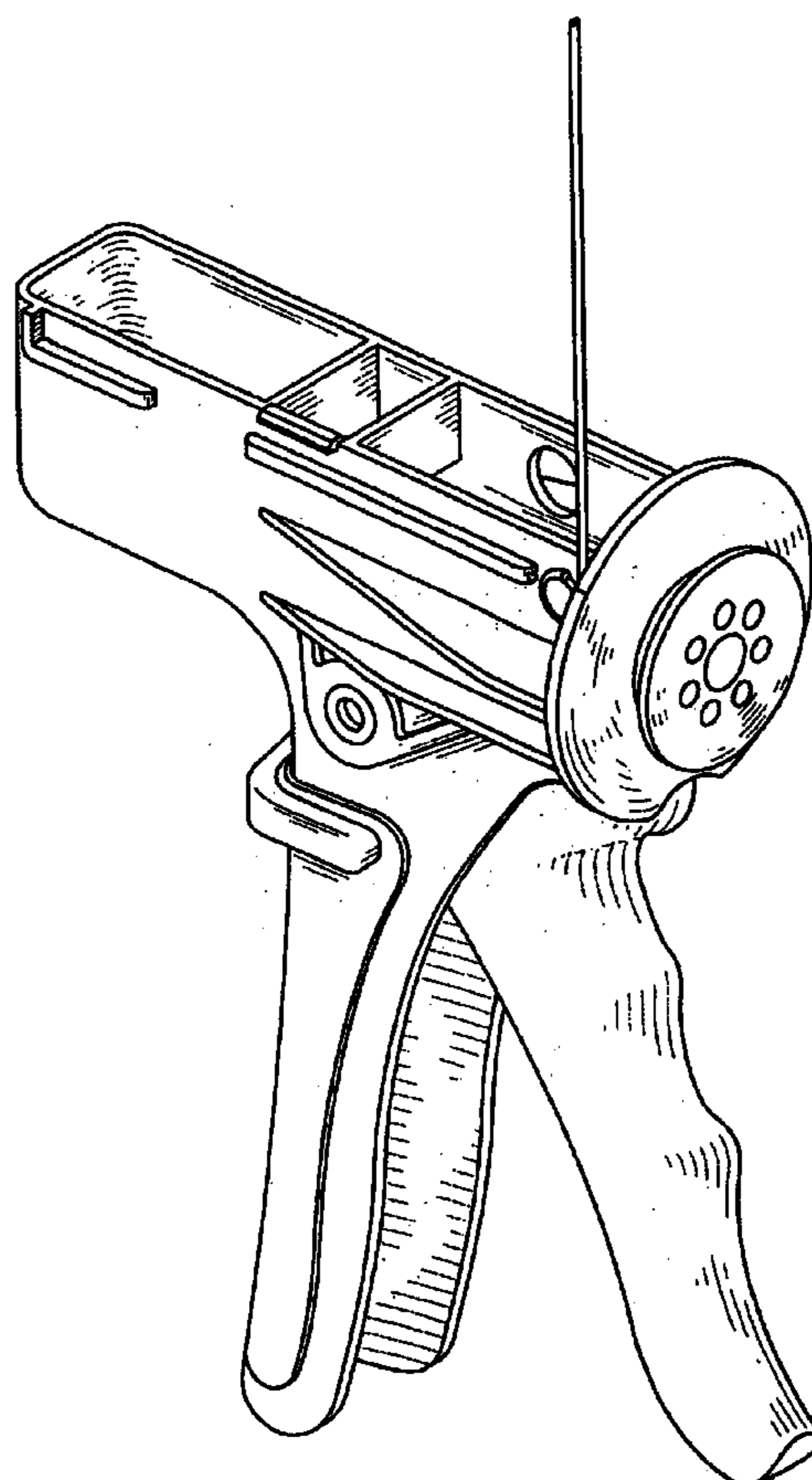
FIG. 4 is a rear elevational view of the long gun assembly of FIG. 1;

FIG. 5 is a front elevational view of the long gun assembly of FIG. 1;

FIG. 6 is a top plan view of the long gun assembly of FIG. 1; and,

FIG. 7 is a bottom view of the long gun assembly of FIG. 1.

1 Claim, 5 Drawing Sheets



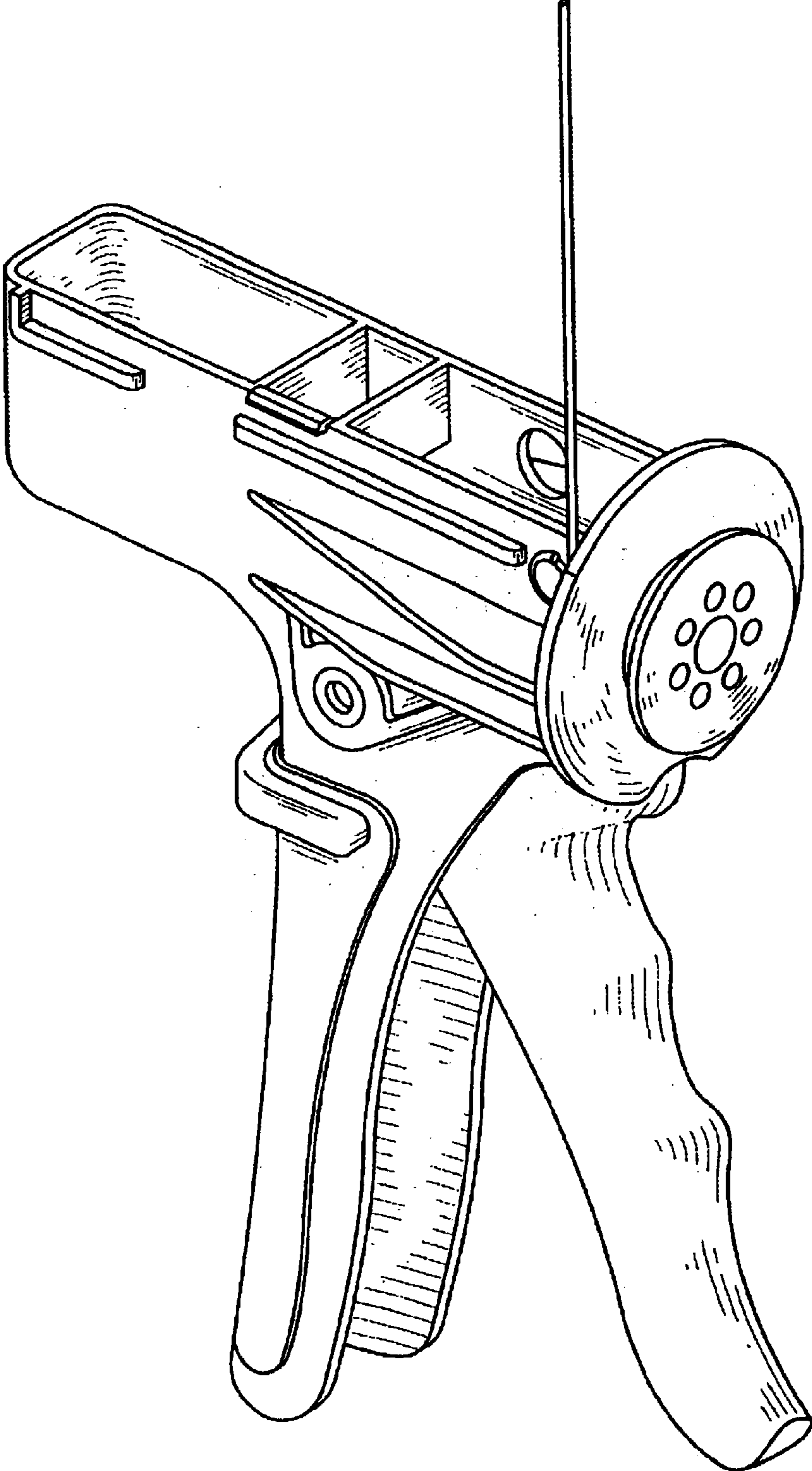


FIG. 1

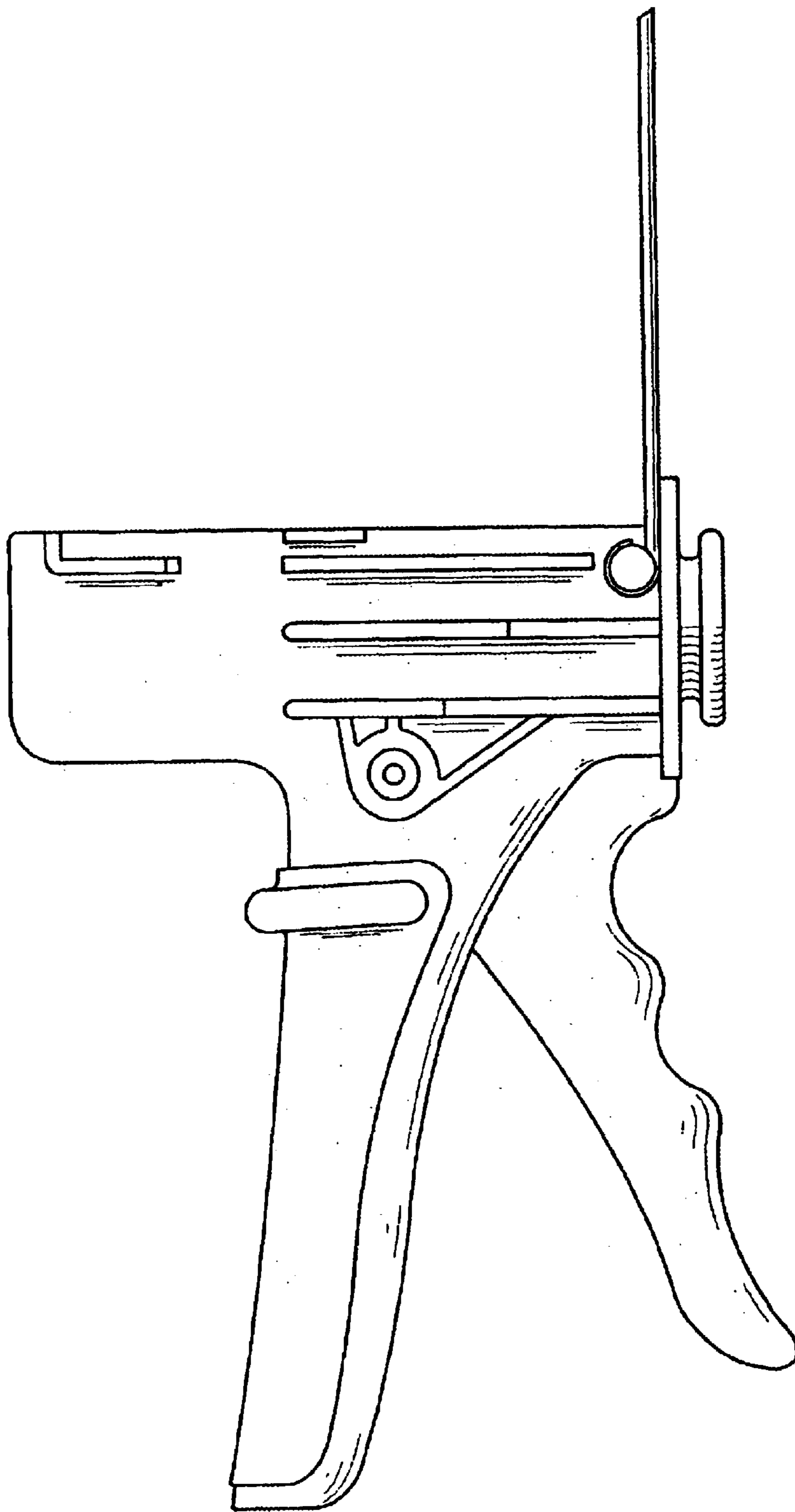


FIG. 2

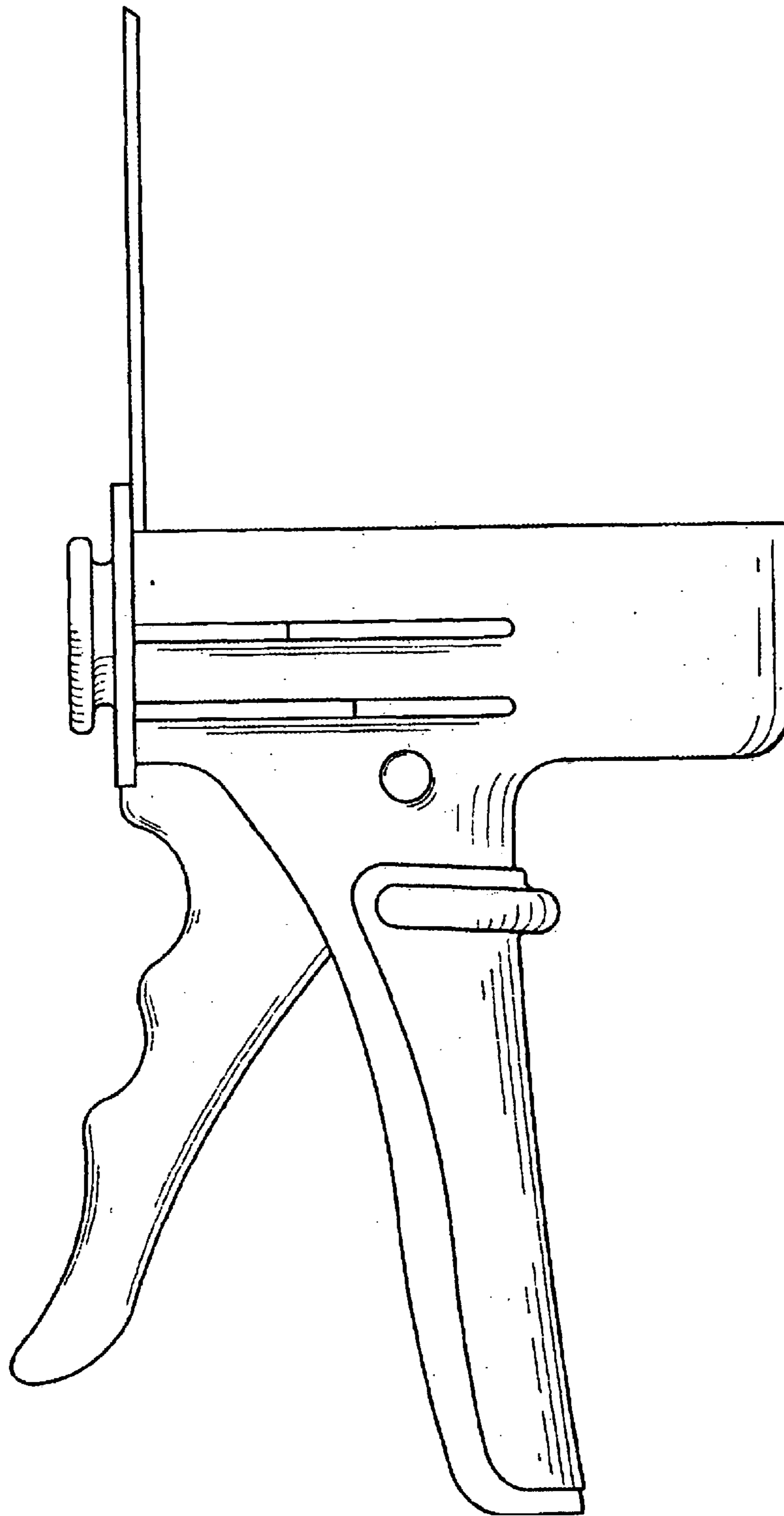


FIG. 3

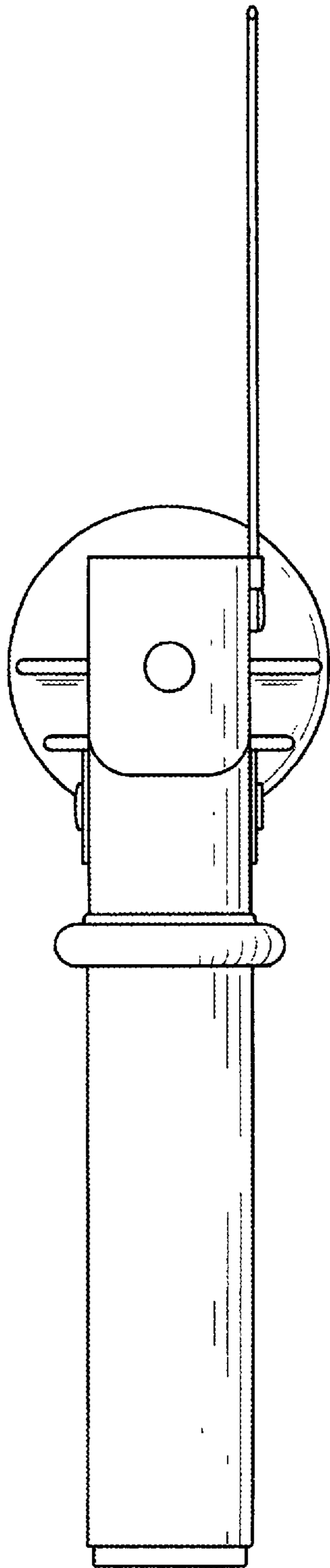


FIG. 4

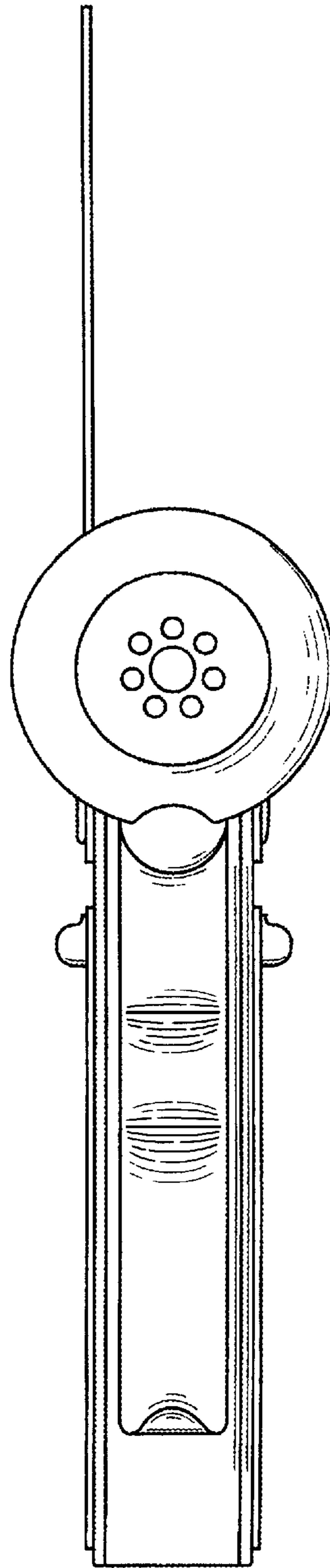


FIG. 5

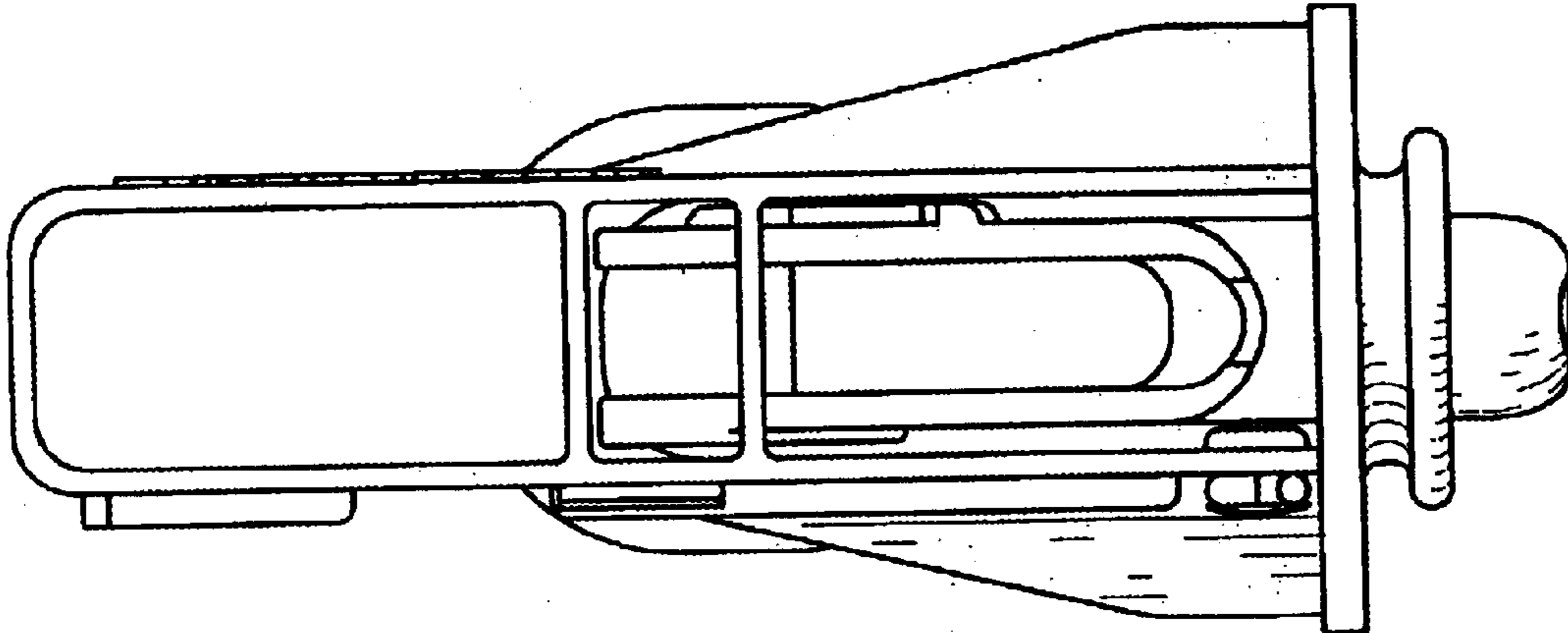


FIG. 6

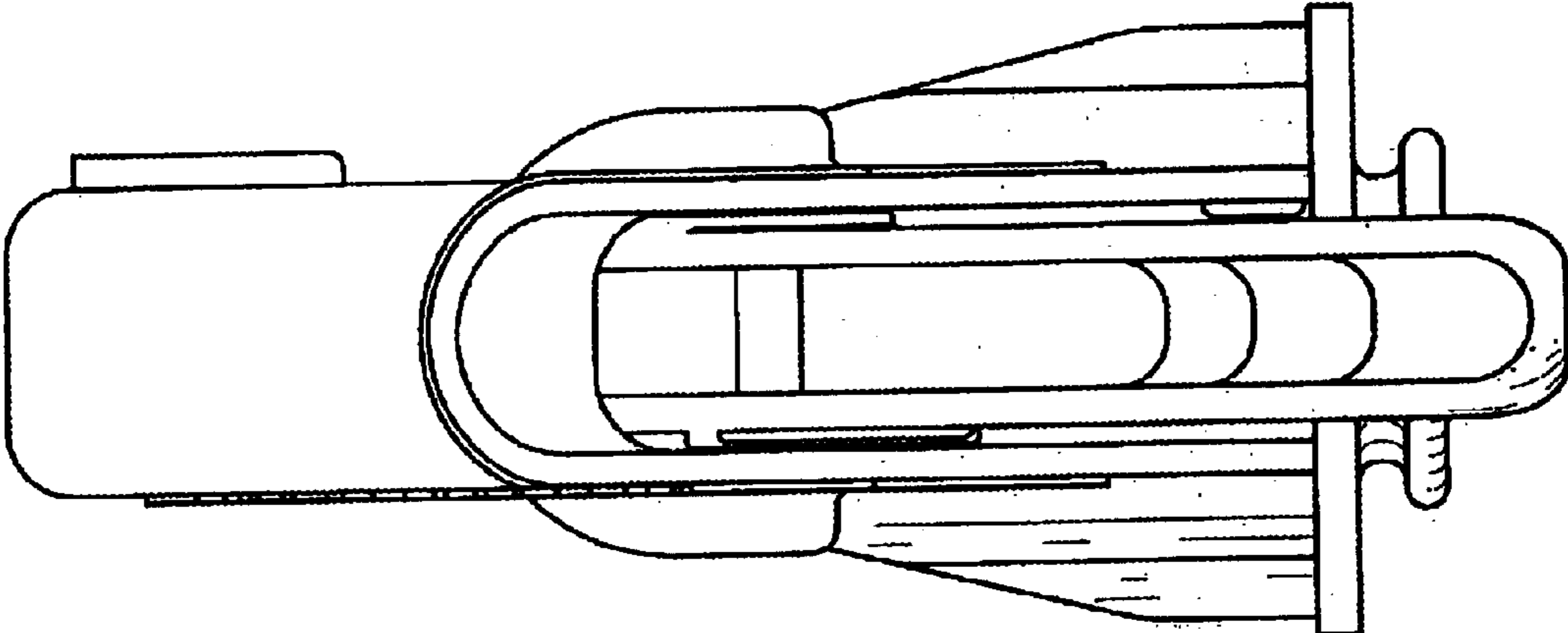


FIG. 7