



US00D511437S

(12) **United States Design Patent**
Brown

(10) **Patent No.:** **US D511,437 S**

(45) **Date of Patent:** **** Nov. 15, 2005**

(54) **MULTI-FACET FOOD CONTAINER**

(75) **Inventor:** **Dean Brown**, Beaverton, MI (US)

(73) **Assignee:** **PWP Industries**, Vernon, CA (US)

(**) **Term:** **14 Years**

(21) **Appl. No.:** **29/216,919**

(22) **Filed:** **Nov. 9, 2004**

(51) **LOC (8) Cl.** **07-01**

(52) **U.S. Cl.** **D7/602; D7/566; D9/429**

(58) **Field of Search** **D7/602, 629, 630,**
D7/538-548, 612-615, 566, 570; D9/414,
424-432; 220/4.21, 675, 780-783, 792-805

(56) **References Cited**

U.S. PATENT DOCUMENTS

- D52,726 S * 12/1918 Beiswanger D7/560
- D195,741 S * 7/1963 Kulow D9/429
- D248,202 S * 6/1978 Schreckengost D7/540

- 4,537,325 A * 8/1985 Zieff 220/305
- 5,348,187 A * 9/1994 Schultz 220/752
- D369,280 S * 4/1996 Feer et al. D7/602
- D499,644 S * 12/2004 Sarnoff D9/429

* cited by examiner

Primary Examiner—Terry A. Wallace

(74) *Attorney, Agent, or Firm*—Leon D. Rosen

(57) **CLAIM**

The ornamental design for multi-facet food container, as shown and described.

DESCRIPTION

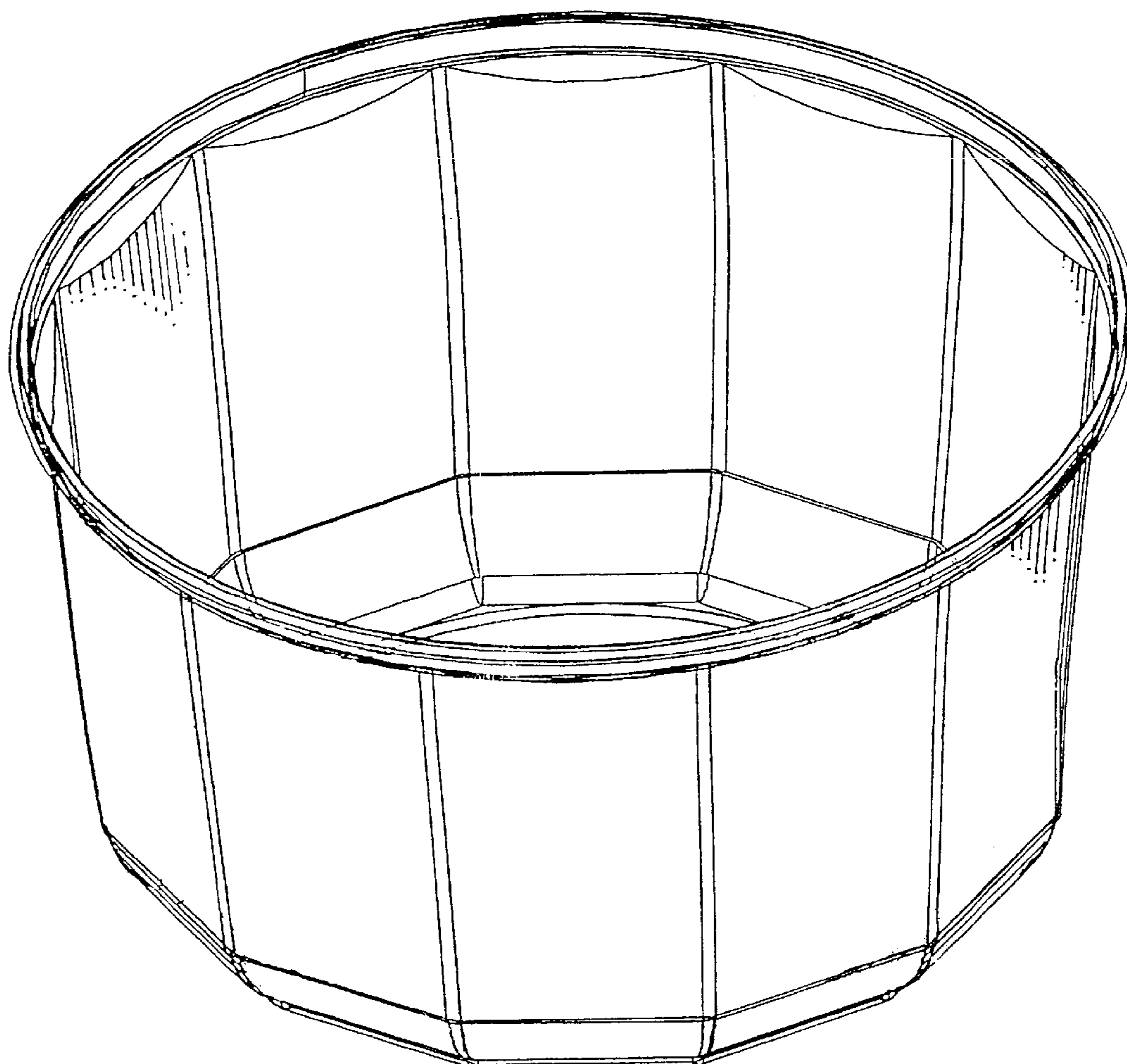
FIG. 1 is an isometric view of a multi-facet food container showing my design.

FIG. 2 is a front elevation view thereof, the left, right and rear views being identical thereto.

FIG. 3 is a top view thereof; and,

FIG. 4 is a bottom view thereof.

1 Claim, 4 Drawing Sheets



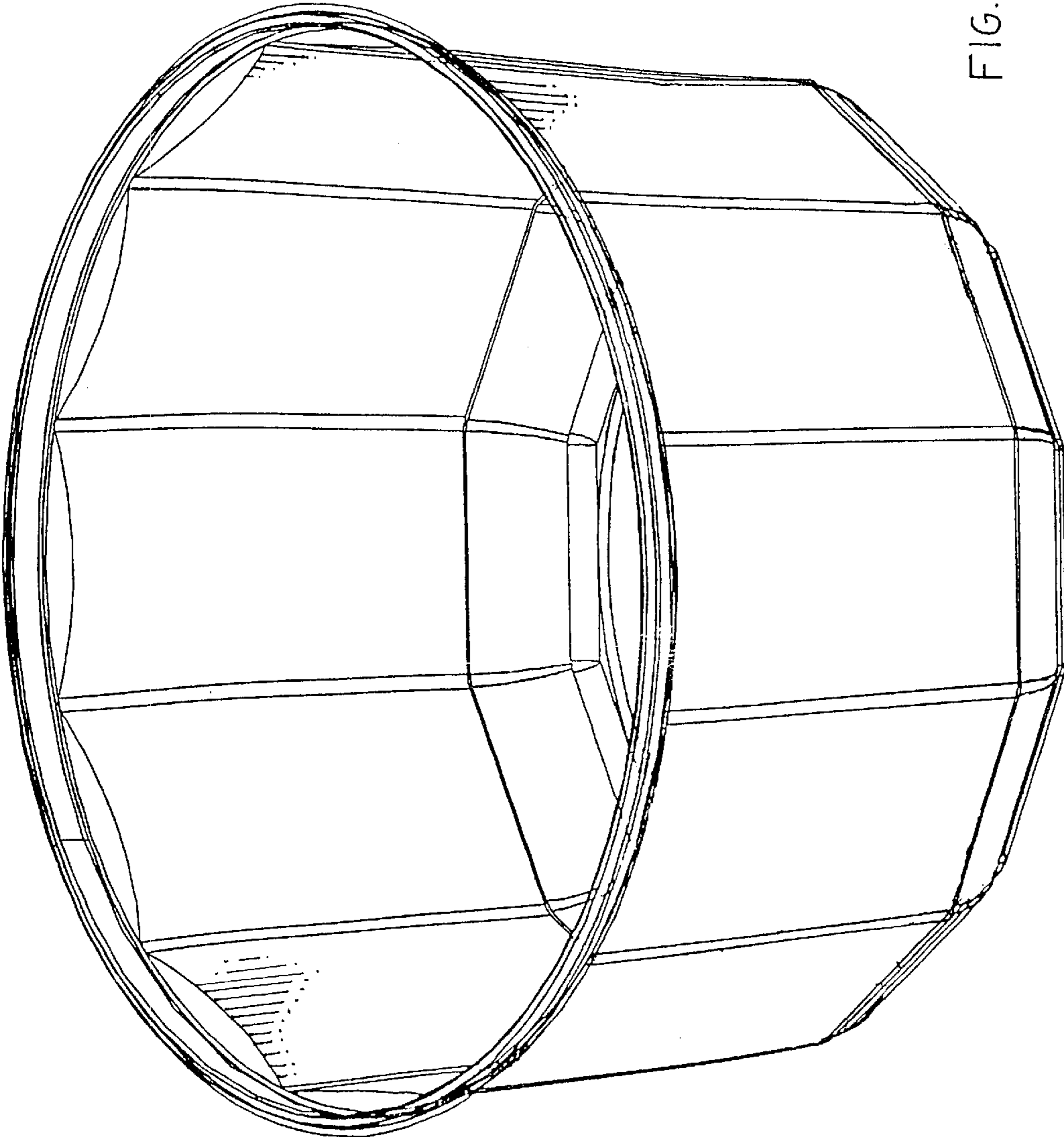


FIG. 1

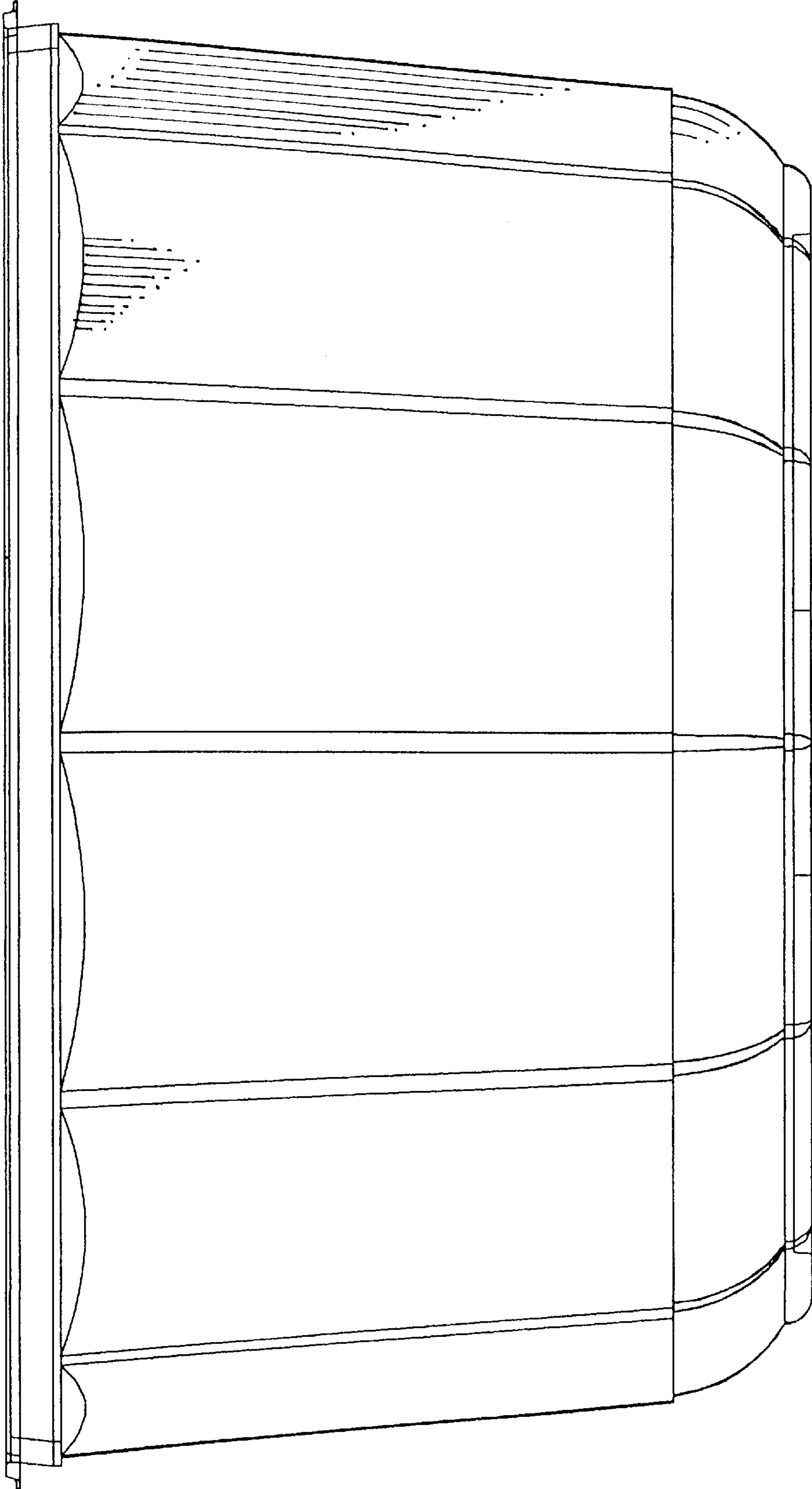


FIG. 2

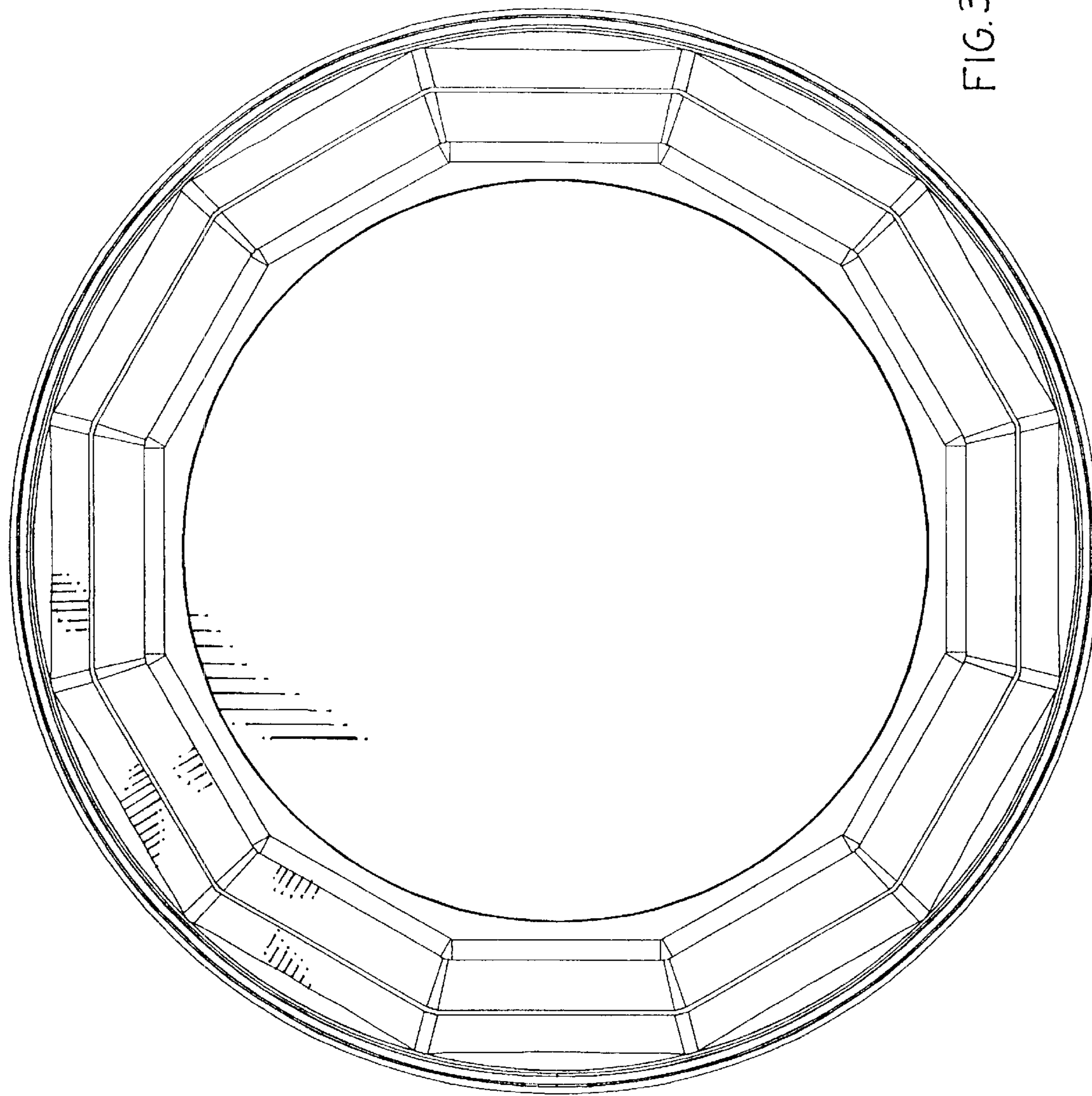


FIG. 3

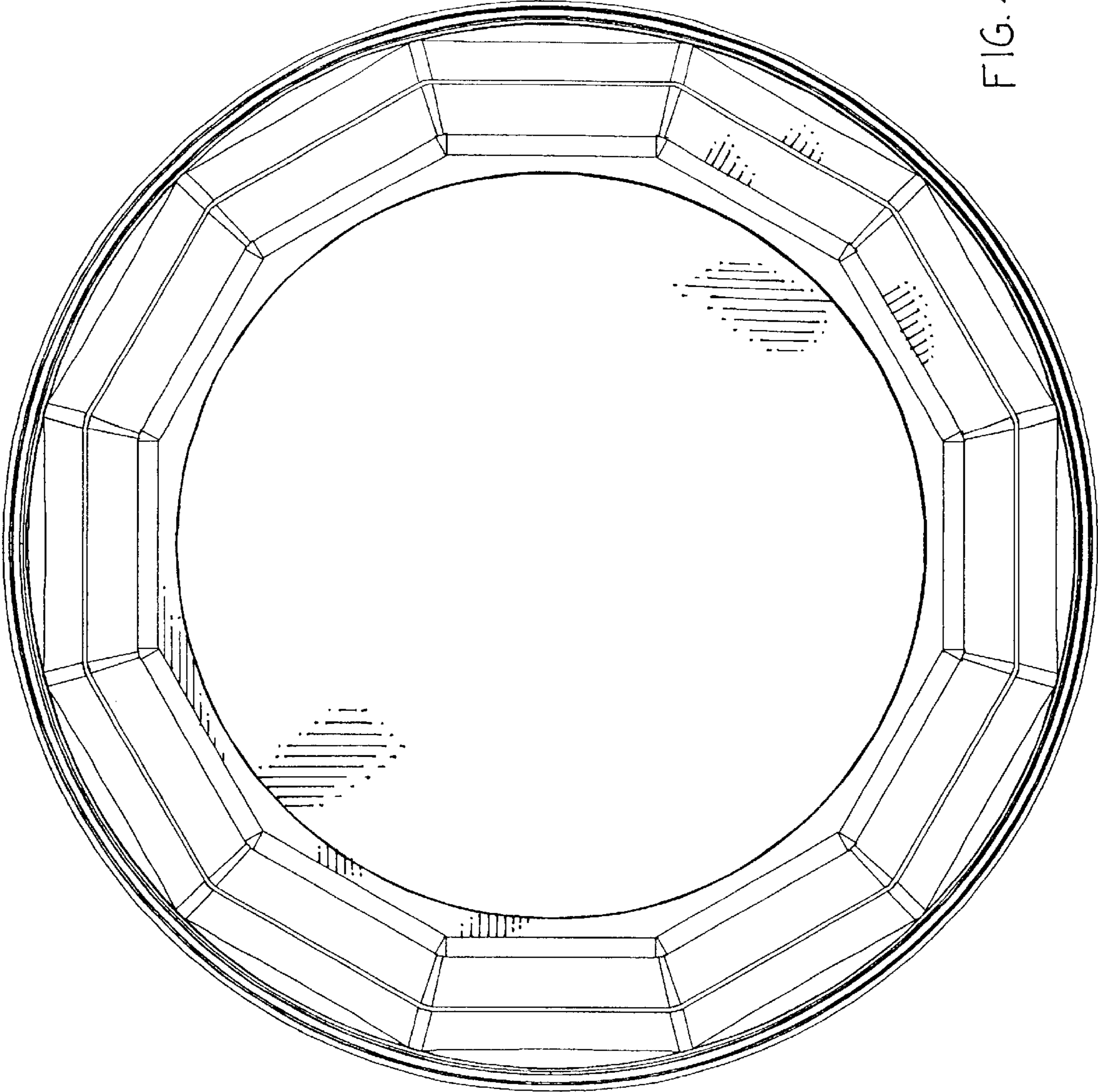


FIG. 4