



US00D511435S

(12) **United States Design Patent**
Roth et al.

(10) **Patent No.:** **US D511,435 S**
(45) **Date of Patent:** **** Nov. 15, 2005**

(54) **LID FOR A CONTAINER**

(76) Inventors: **Donna Roth**, 42 Tremont St., Duxbury, MA (US) 02332; **Henry Roth**, 42 Tremont St., Duxbury, MA (US) 02332

(**) Term: **14 Years**

(21) Appl. No.: **29/209,746**

(22) Filed: **Jul. 21, 2004**

(51) **LOC (8) Cl.** **07-01**

(52) **U.S. Cl.** **D7/392.1**

(58) **Field of Search** D7/392.1, 553.8, D7/505, 553.6, 552.2, 557, 507, 555, 549; D9/428; 220/574.1, 729, 23.86, 575, 574; 206/501, 541, 378

(56) **References Cited**

U.S. PATENT DOCUMENTS

2,240,020 A	*	4/1941	Raiser	206/501
D286,250 S	*	10/1986	Prescott	D7/557
D297,799 S	*	9/1988	Hammer	D7/507
D304,658 S		11/1989	Mattei		
D304,659 S	*	11/1989	Asner	D7/505
5,231,850 A		8/1993	Morris et al.		
5,345,784 A		9/1994	Bazemore et al.		
D352,204 S	*	11/1994	Hayes et al.	D7/553.6
D363,644 S	*	10/1995	Wyatt et al.	D7/553.6
D366,395 S	*	1/1996	Wyatt et al.	D7/552.2
5,593,062 A	*	1/1997	Martin	220/574.1
D384,554 S		10/1997	Ancona et al.		
D404,612 S	*	1/1999	Blazevich	D7/505
5,869,120 A		2/1999	Blazevich		
D418,018 S	*	12/1999	Winsted	D7/553.8
6,021,903 A	*	2/2000	Hanson	206/541

6,022,571 A		2/2000	Blazevich		
D422,907 S	*	4/2000	Sagan et al.	D9/428
6,044,650 A		4/2000	Cook et al.		
6,168,813 B1		1/2001	Blazevich		
6,318,114 B1		11/2001	Slaughter		
D452,146 S		12/2001	Lin		
6,474,494 B1		11/2002	Miller et al.		
6,514,548 B2		2/2003	Lin		
D478,469 S		8/2003	Roth et al.		
6,601,403 B1		8/2003	Roth et al.		

* cited by examiner

Primary Examiner—Ruth McInroy
Assistant Examiner—Terrence Huang
(74) *Attorney, Agent, or Firm*—Garcia-Zamor IP Law; Ruy M. Garcia-Zamor

(57) **CLAIM**

The ornamental design for a lid for a container, as shown.

DESCRIPTION

FIG. 1 is a perspective view of a lid for a container showing our new design;
FIG. 2 is a rear elevational view thereof, the front elevational view being a mirror image;
FIG. 3 is a top plan view thereof;
FIG. 4 is a left side elevational view thereof;
FIG. 5 is a bottom plan view thereof; and,
FIG. 6 is a right side elevational view thereof.
The broken lines are for illustrative purposes only and form no part of the claimed design.
The broken lines which define the bounds of the claimed design form no part thereof.

1 Claim, 3 Drawing Sheets

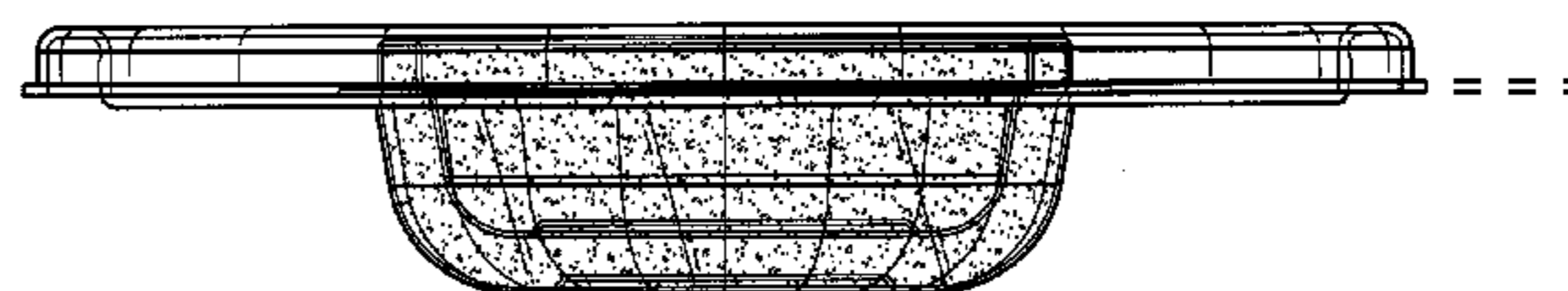
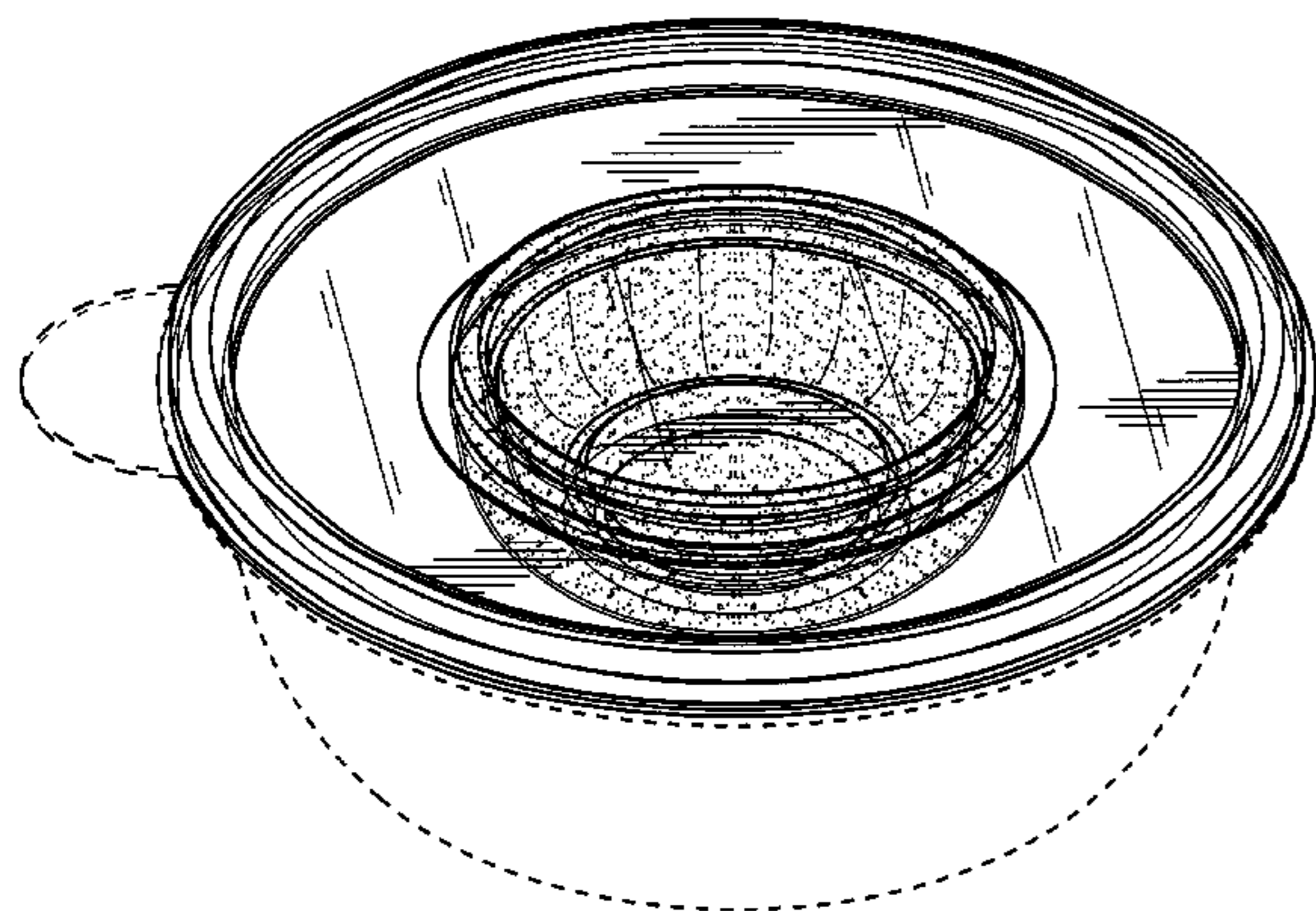


FIG. 1

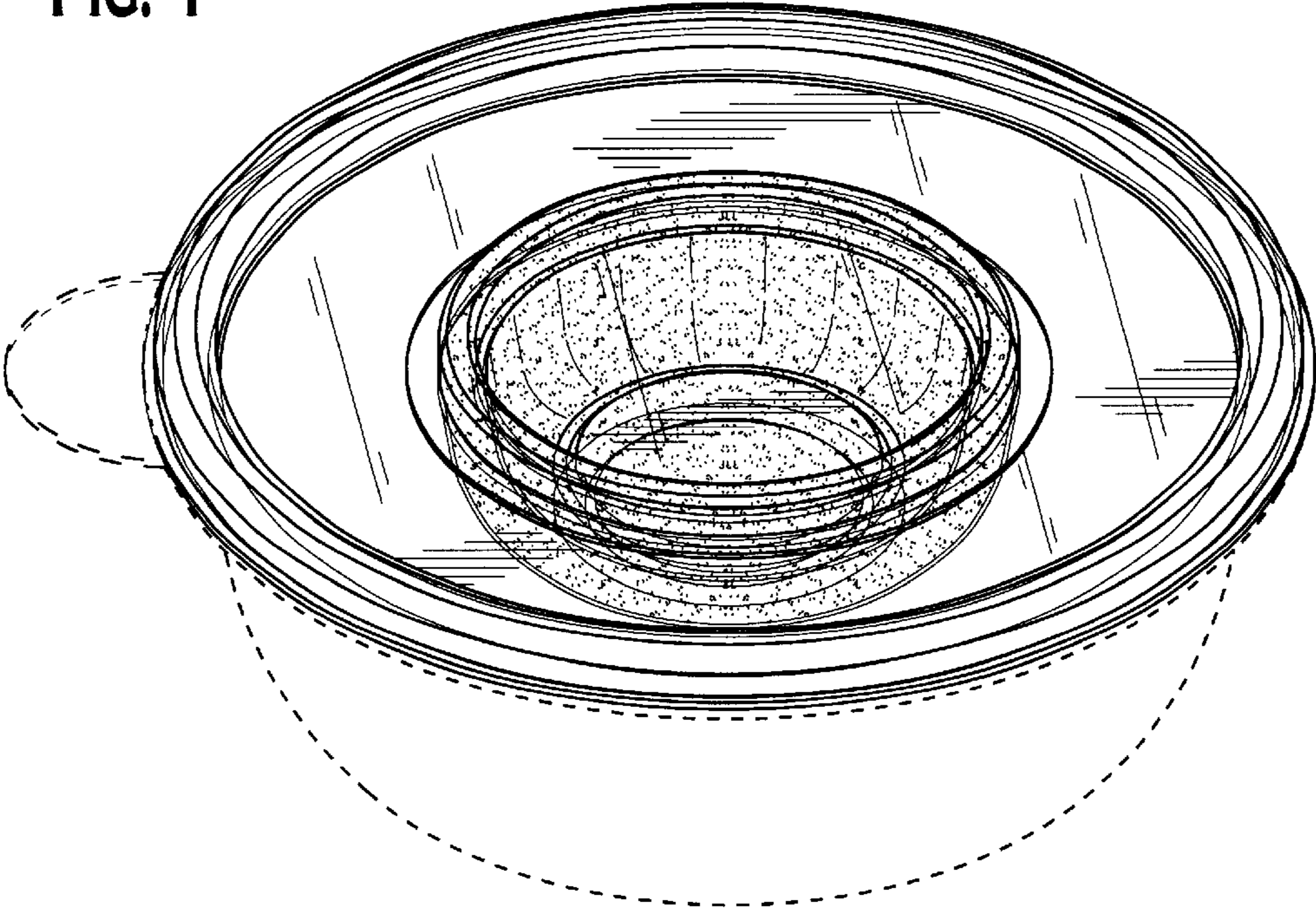


FIG. 2

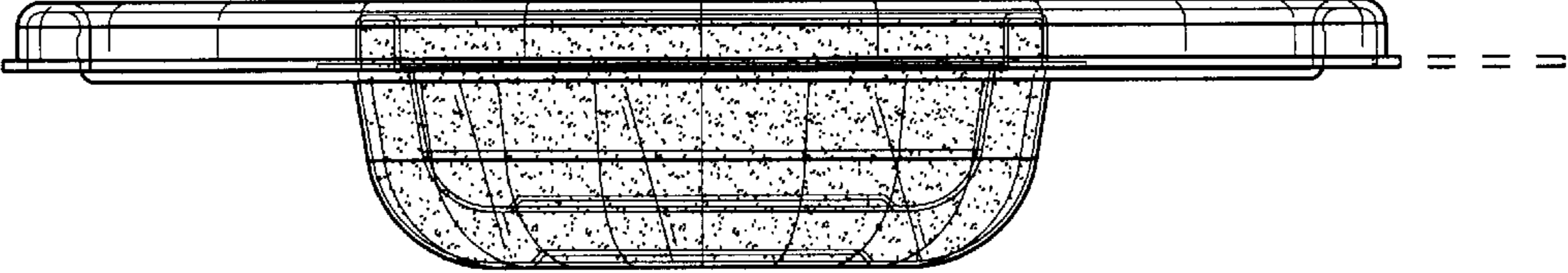


FIG. 3

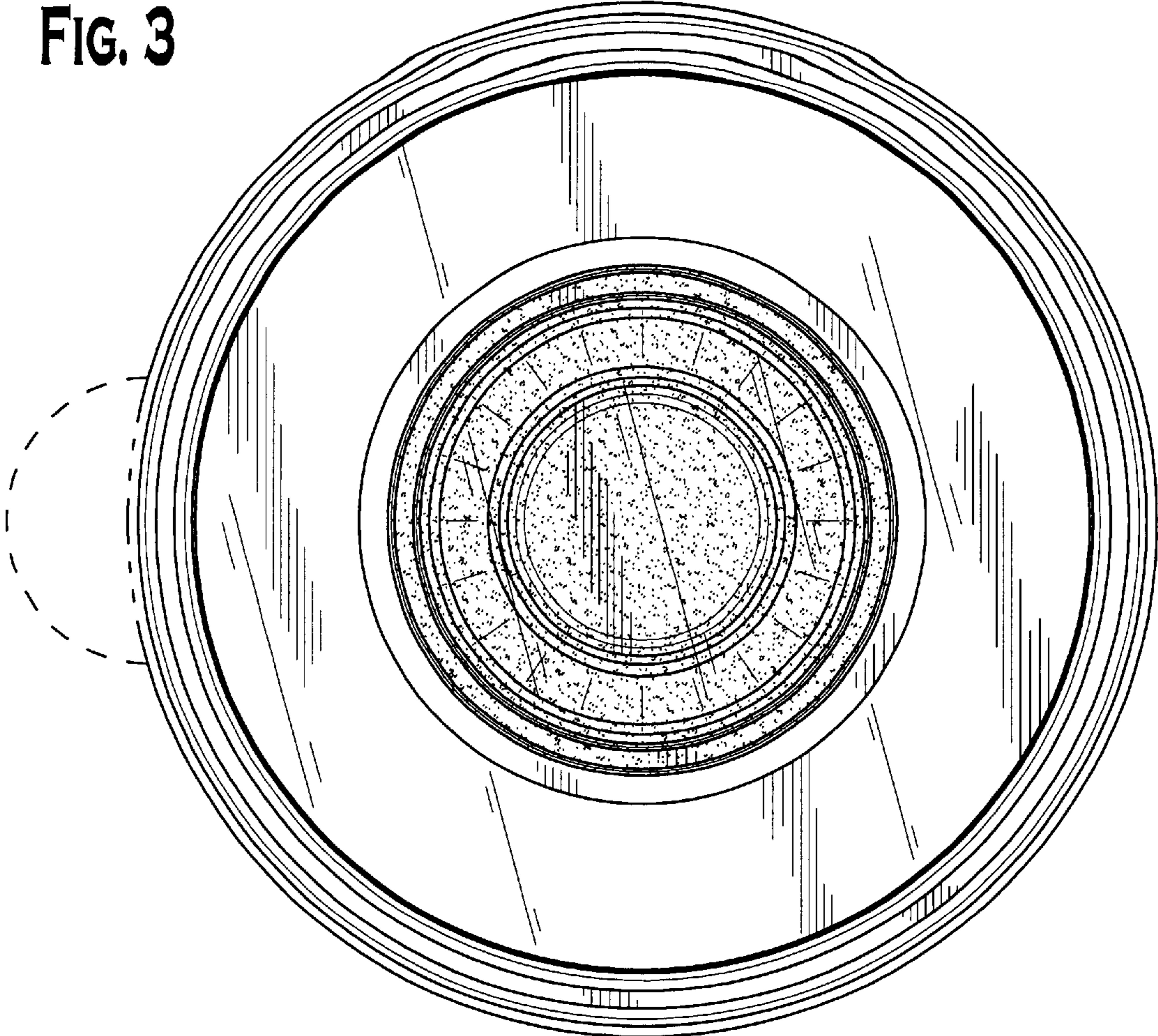


FIG. 4

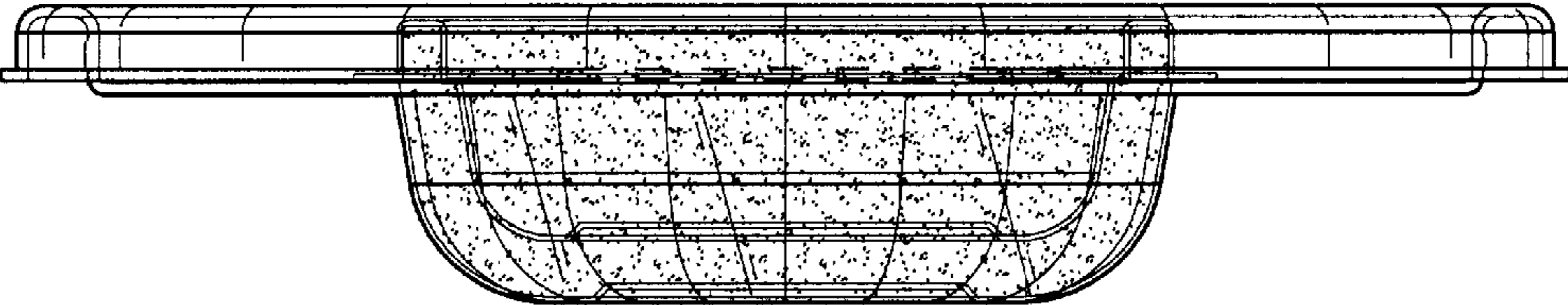


FIG. 5

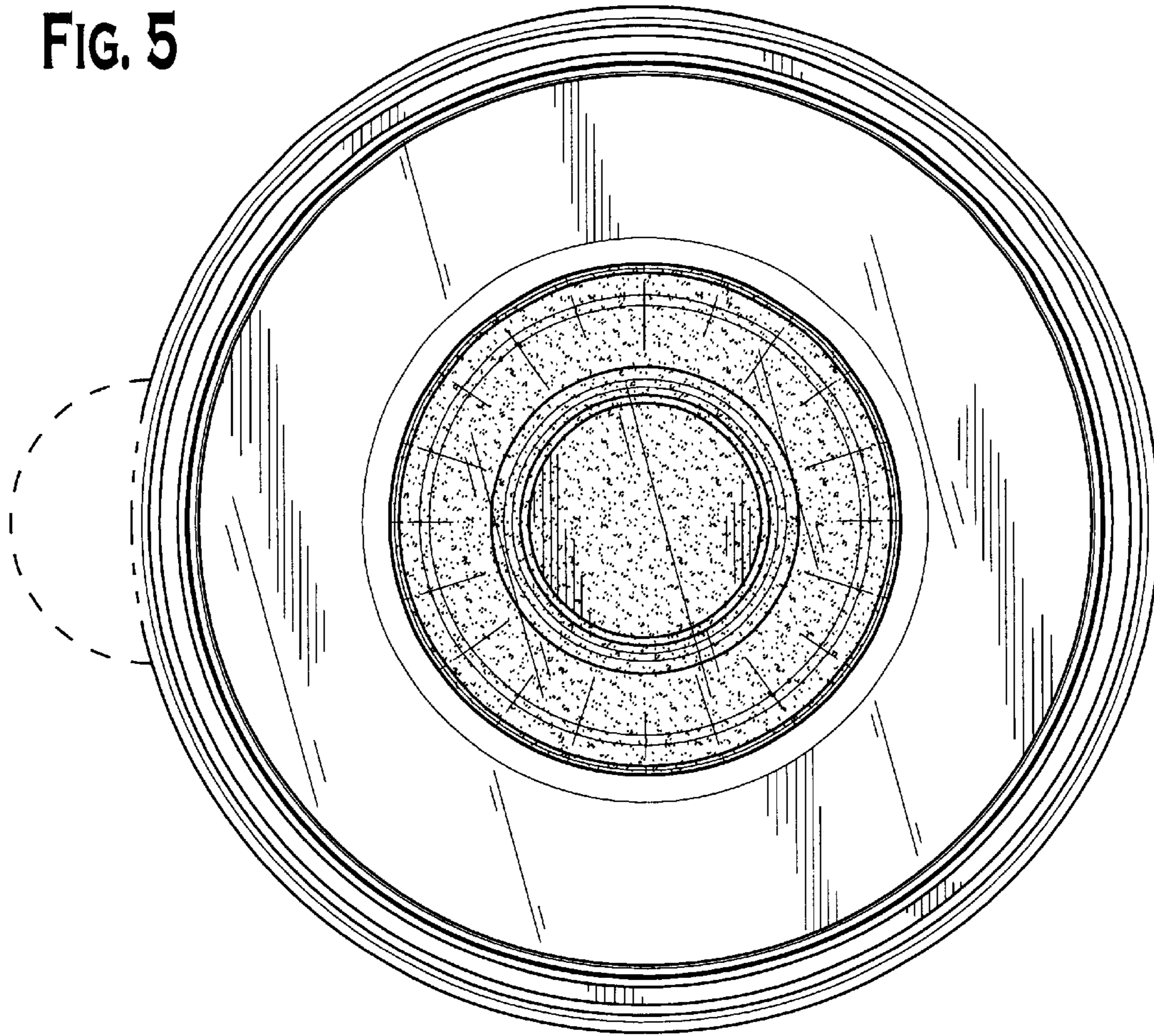


FIG. 6

