

US00D511434S

(12) **United States Design Patent**
Feil

(10) **Patent No.:** **US D511,434 S**

(45) **Date of Patent:** **** Nov. 15, 2005**

(54) **FOOD PROCESSOR**

6,089,746 A * 7/2000 Martin 366/129
D491,423 S * 6/2004 Stamper et al. D7/665

(75) **Inventor:** **Rolf Feil, Günzburg (DE)**

FOREIGN PATENT DOCUMENTS

(73) **Assignee:** **BSH Bosch und Siemens Hausgeraete GmbH, Munich (DE)**

GB 2089771 * 7/1999
GB 2095972 * 9/2000

(**) **Term:** **14 Years**

* cited by examiner

(21) **Appl. No.:** **29/180,854**

Primary Examiner—Caron D. Veynar

(22) **Filed:** **May 1, 2003**

(74) *Attorney, Agent, or Firm*—John J. Winburn; Russell W. Warnock; Craig J. Loest

(30) **Foreign Application Priority Data**

(57) **CLAIM**

Nov. 1, 2002 (WO) DM/062 267

The ornamental design for a food processor, as shown and described.

(51) **LOC (8) Cl.** **31-00**

DESCRIPTION

(52) **U.S. Cl.** **D7/384**

(58) **Field of Search** D7/376–386, 412,
D7/413, 665; 99/509–511; 241/30, 33, 37.5,
101.01–101.2, 166–169.1, 274–278.2, 285.1–285.3,
291; 366/64–67, 98–100, 129, 130, 197–201,
205–207, 219–221, 241–254, 279–282,
341–343

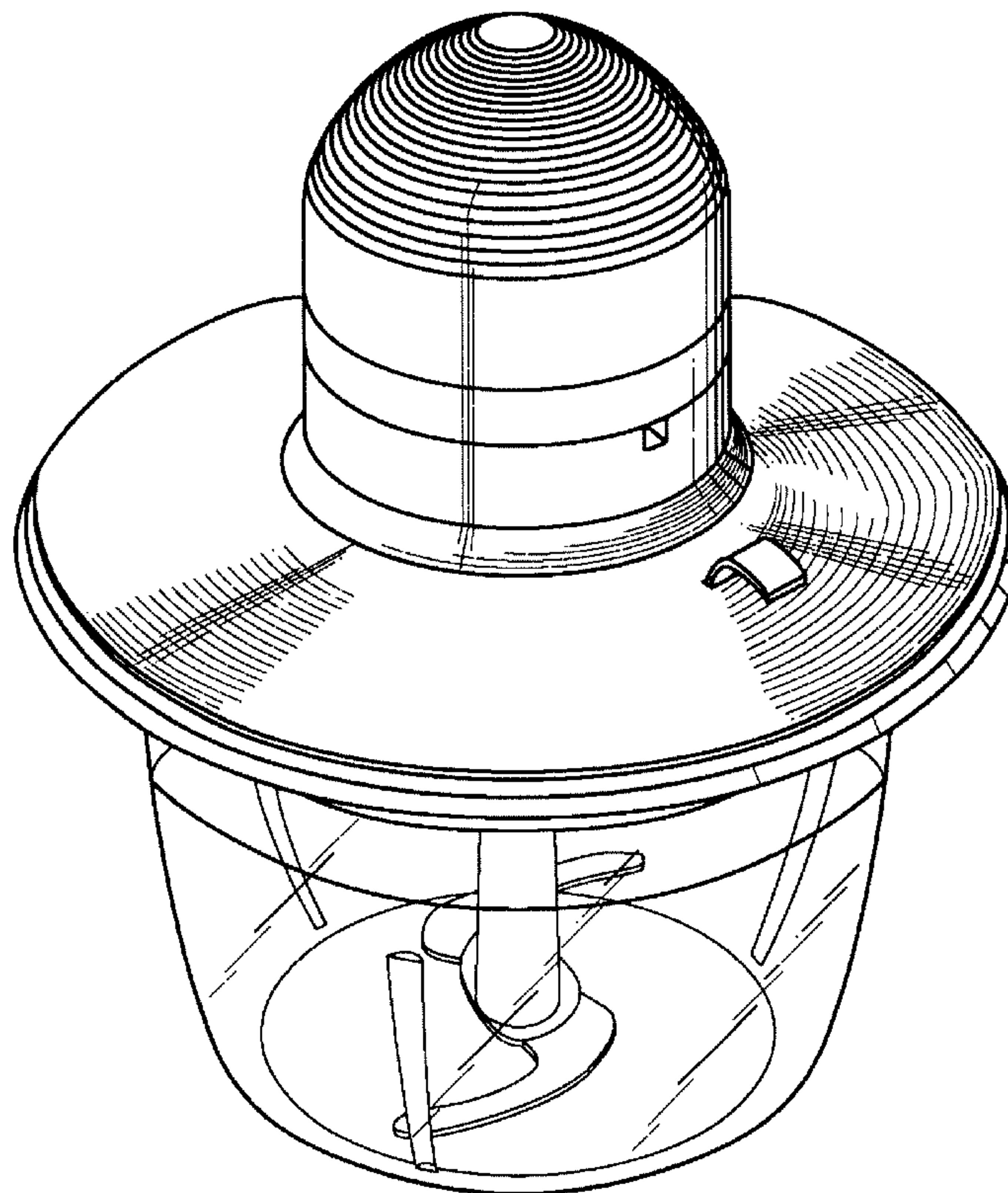
FIG. 1 is a top front right perspective view of the food processor;
FIG. 2 is a front view thereof;
FIG. 3 is a rear view thereof;
FIG. 4 is a top view thereof;
FIG. 5 is a bottom rear left perspective view thereof;
FIG. 6 is a right side view thereof;
FIG. 7 is a left side view thereof;
FIG. 8 is a bottom view thereof; and,
FIG. 9 is a top right front perspective view of an embodiment thereof that includes a cord.

(56) **References Cited**

U.S. PATENT DOCUMENTS

D390,745 S * 2/1998 Leverrier D7/381
D394,183 S * 5/1998 Arita et al. D7/384
D404,253 S * 1/1999 Littmann D7/412

1 Claim, 9 Drawing Sheets



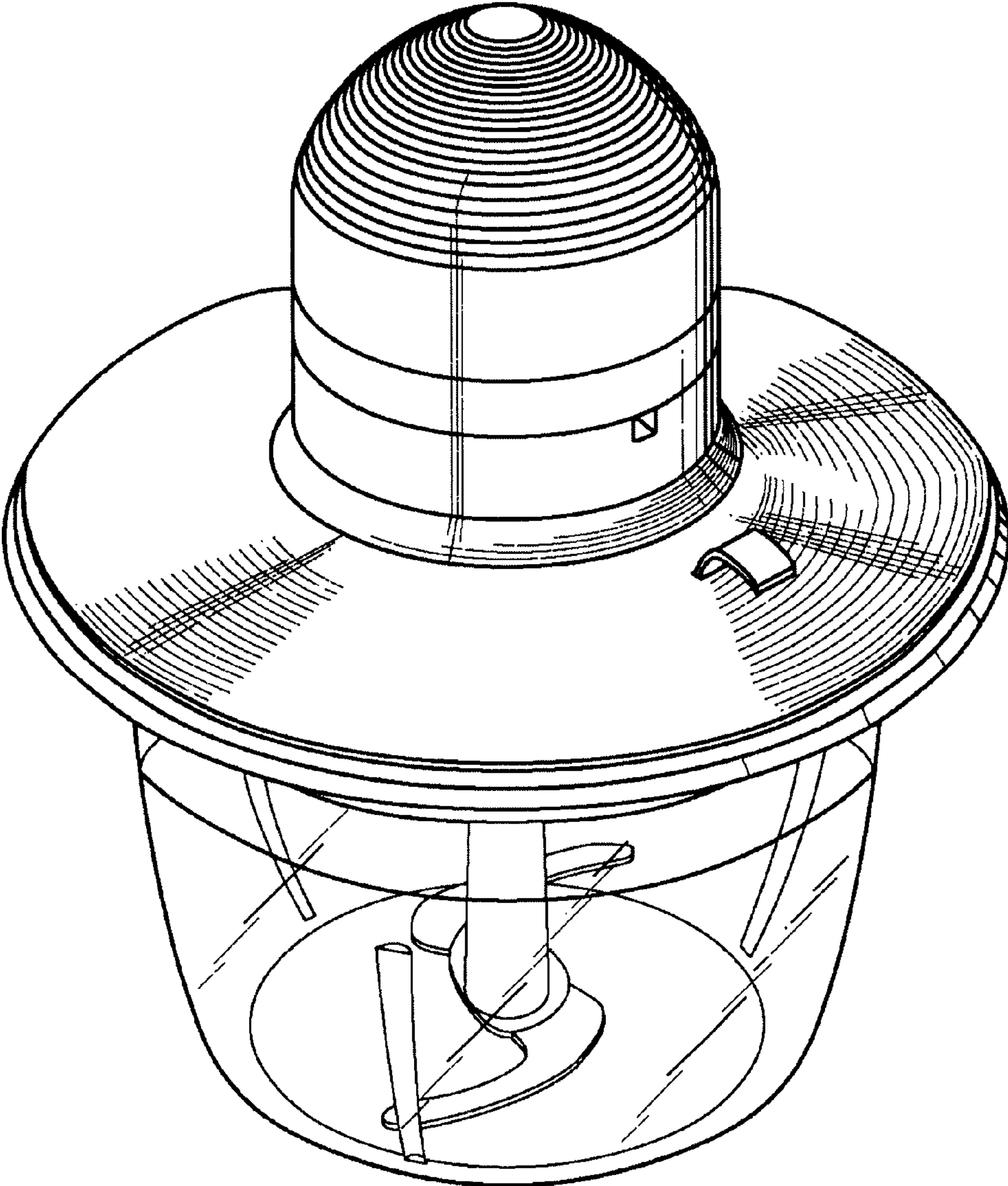


FIG. 1

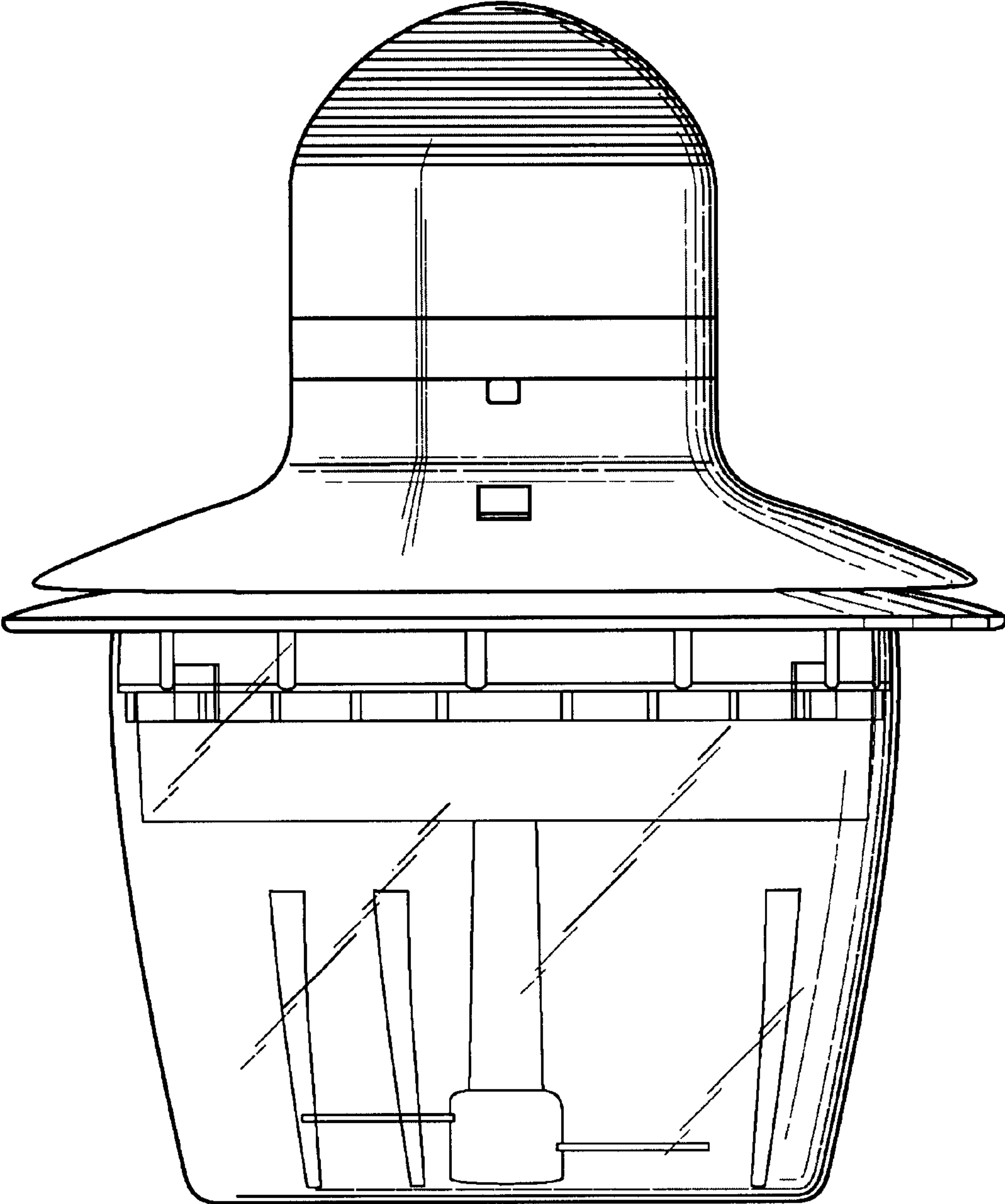


FIG. 2

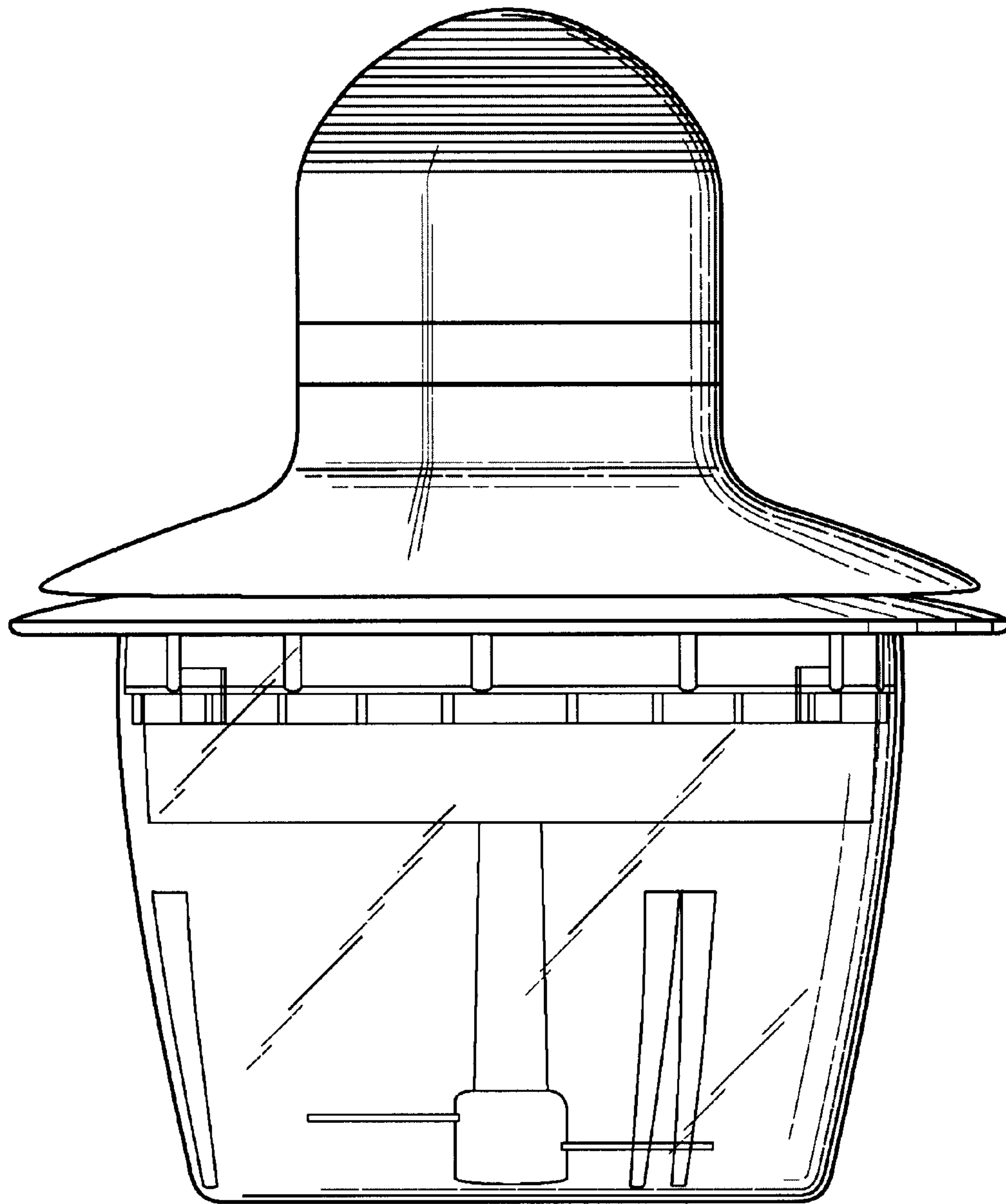


FIG. 3

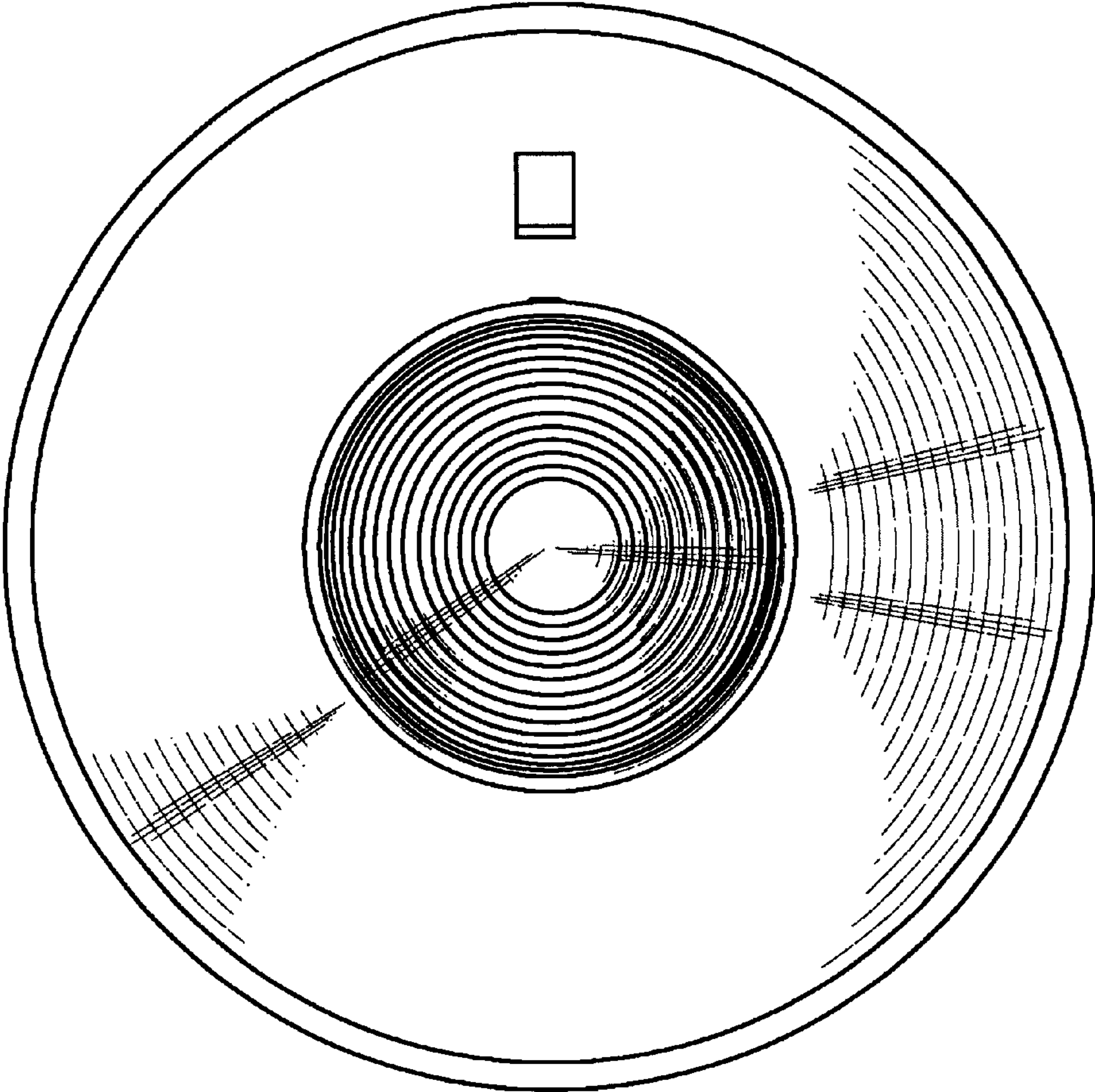


FIG. 4

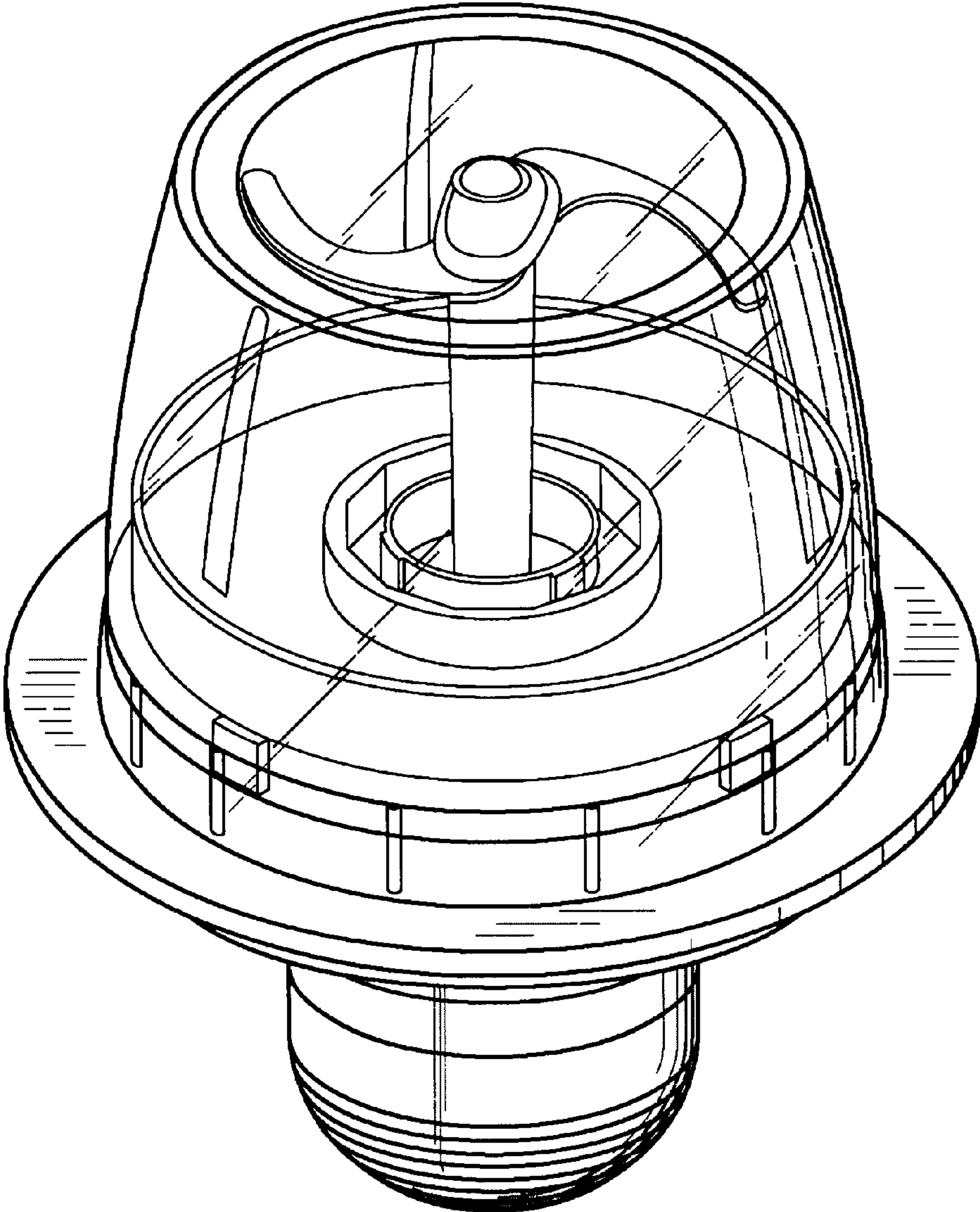


FIG. 5

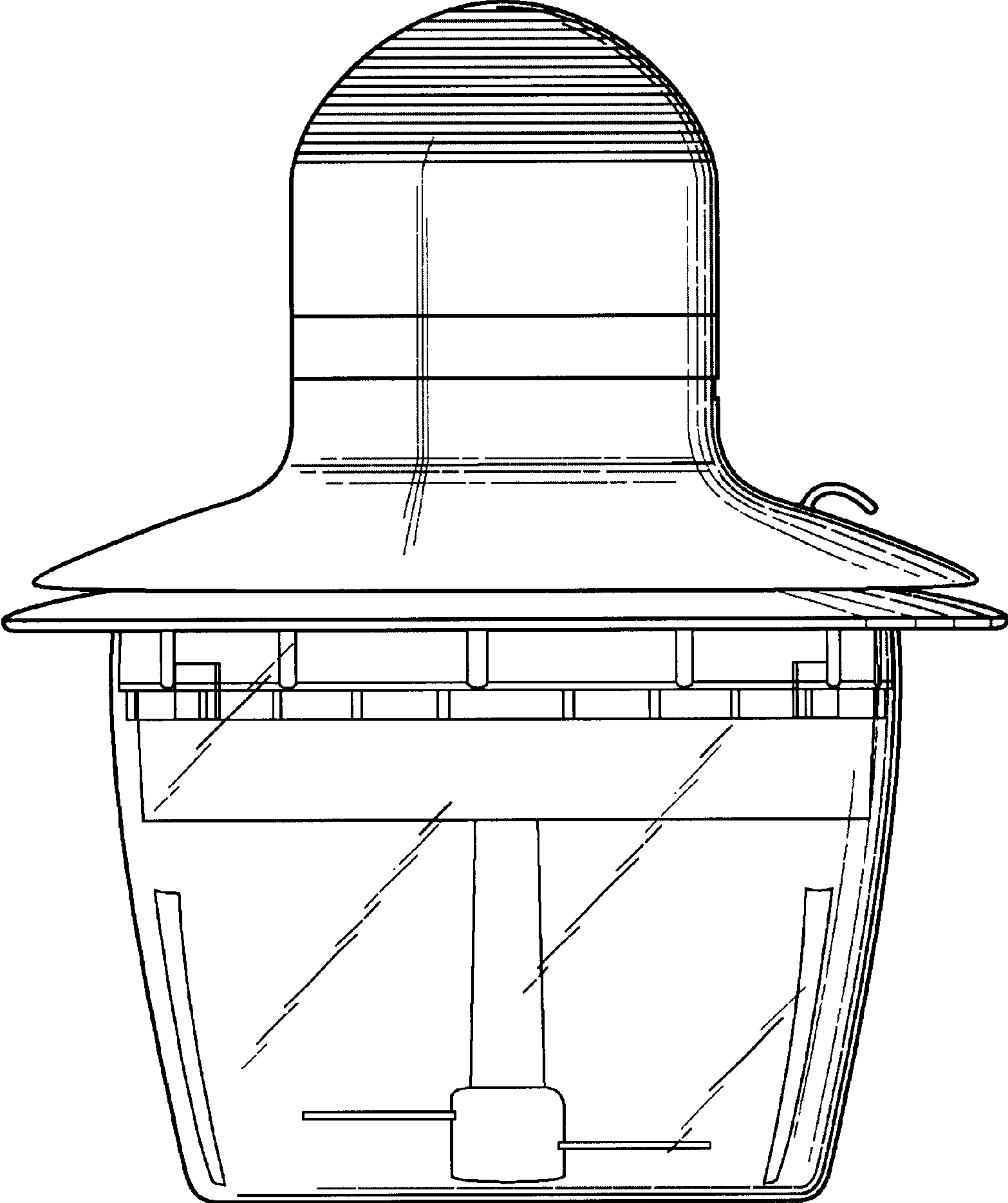


FIG. 6

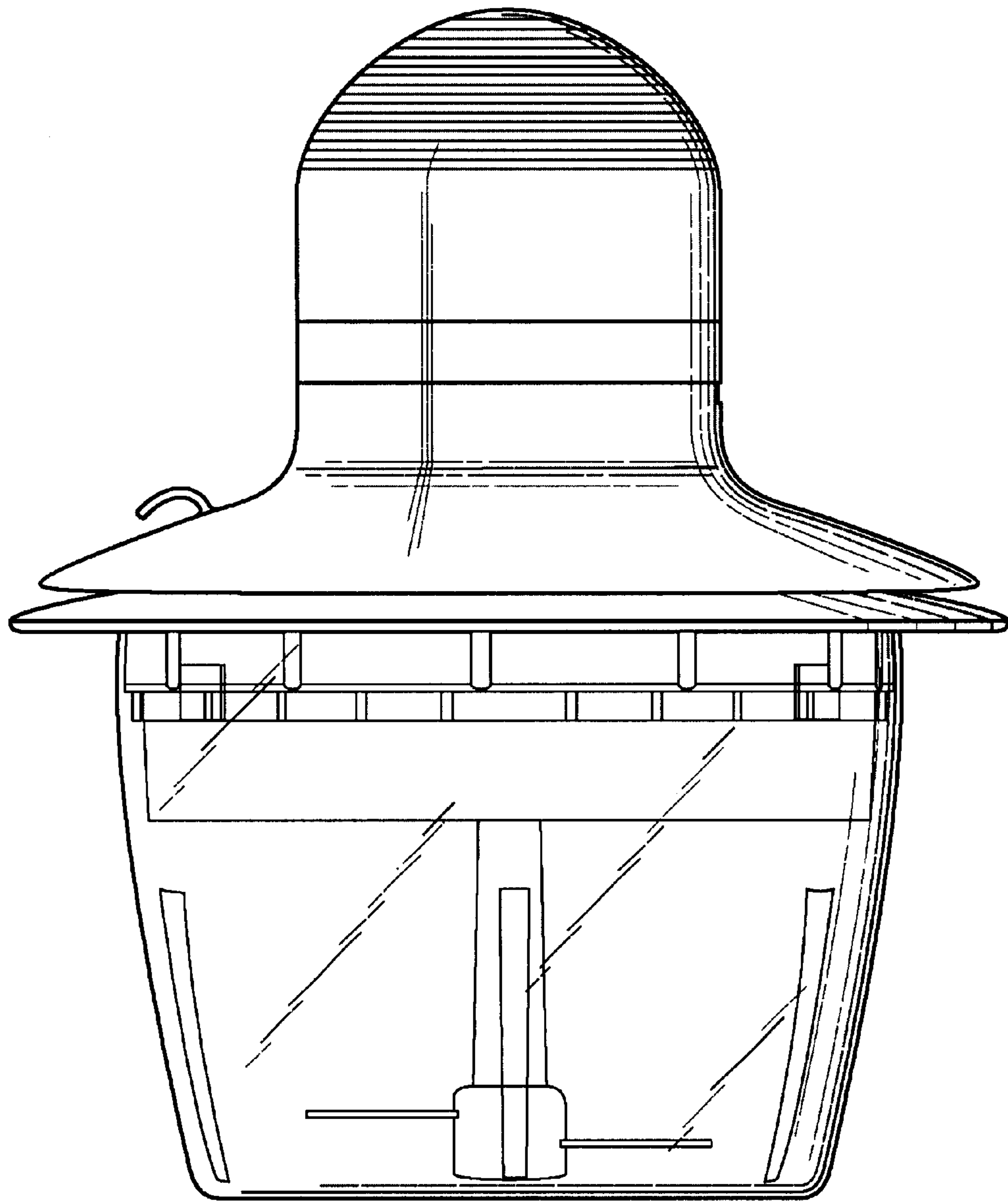


FIG. 7

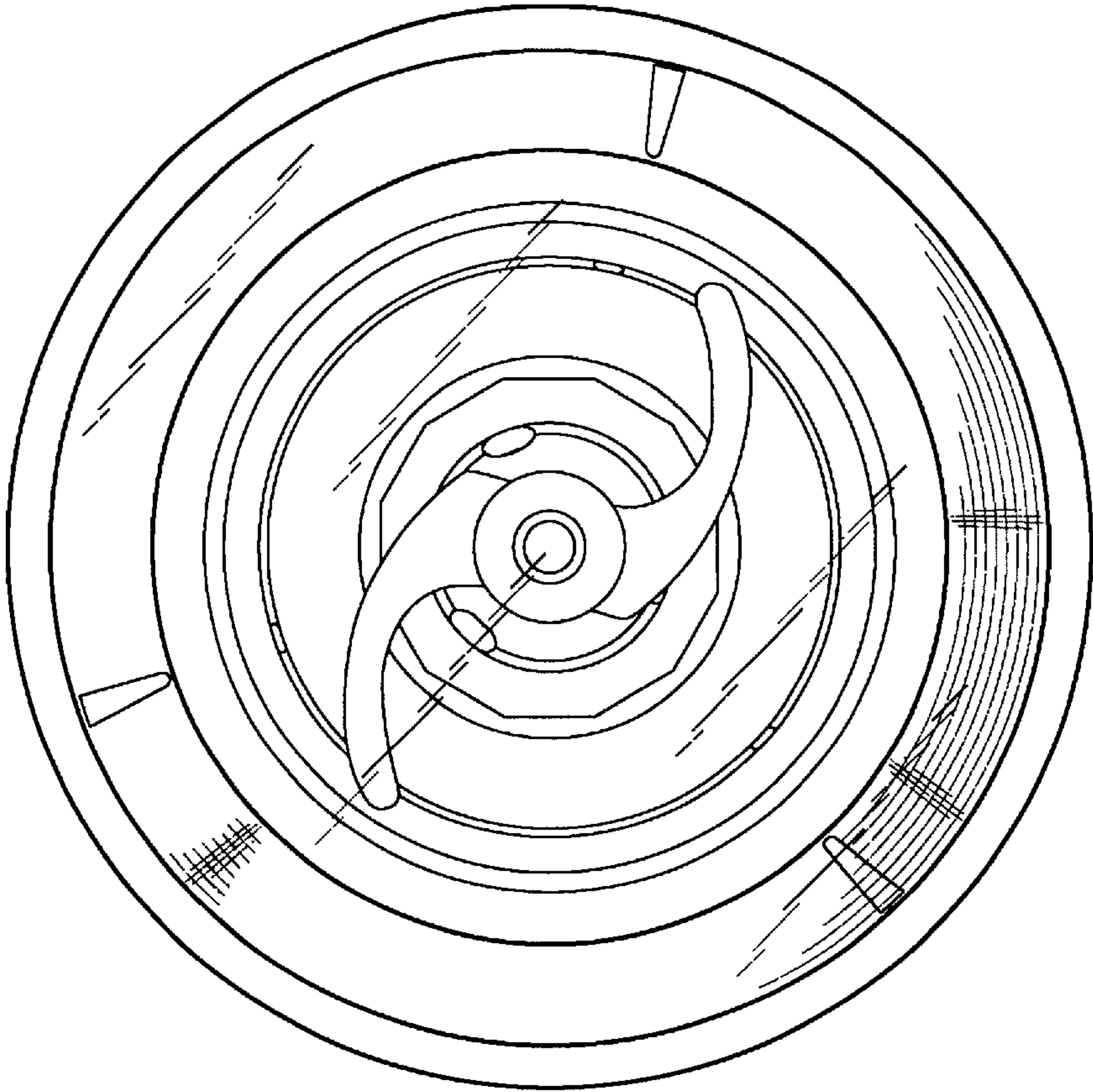


FIG. 8

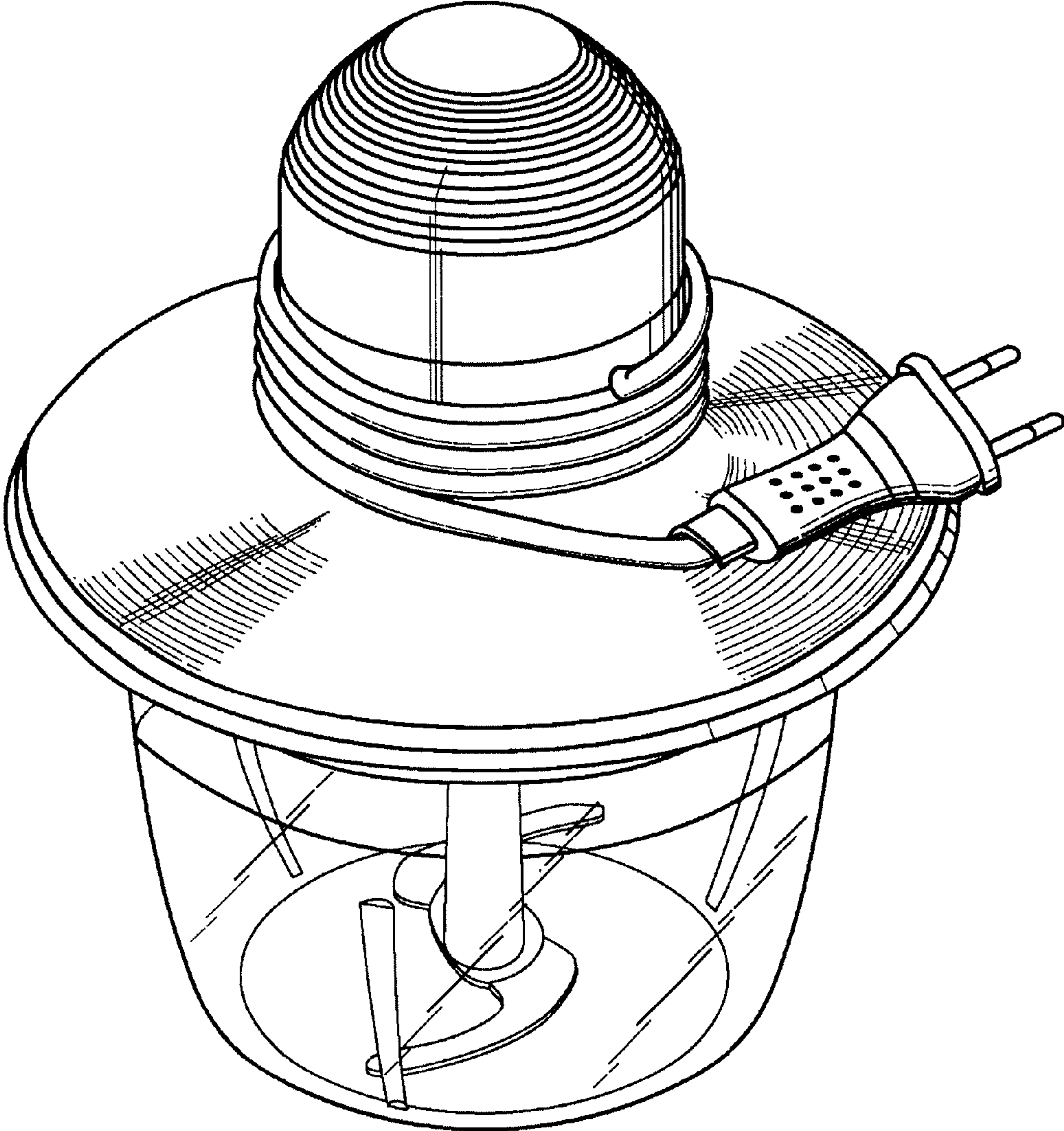


FIG. 9