



US00D511433S

(12) **United States Design Patent**
Zhang

(10) **Patent No.:** **US D511,433 S**

(45) **Date of Patent:** **** Nov. 15, 2005**

(54) **BARBEQUE GRILL COOKING APPARATUS**

(76) **Inventor:** **S. R. Zhang**, Block 6, Lakepoint Drive,
No. 03-38, Singapore (SG), 648925

(**) **Term:** **14 Years**

(21) **Appl. No.:** **29/208,566**

(22) **Filed:** **Jun. 28, 2004**

(51) **LOC (8) Cl.** **07-02**

(52) **U.S. Cl.** **D7/337**

(58) **Field of Search** D7/332, 334-337,
D7/402-405, 393-395; 126/25 R, 25 A,
25 AA, 41 R, 9 R, 38, 39 H, 39 BA; 99/401,
425, 446-447, 450, 481; 219/450.1, 452.12,
533; D8/315-320; D9/506, 518, 428

(56) **References Cited**

U.S. PATENT DOCUMENTS

D455,598 S * 4/2002 Pai D7/337
D461,360 S * 8/2002 Bossler D7/337
D464,844 S * 10/2002 Pai D7/337
6,557,546 B1 * 5/2003 Gibbons 126/41 R

D498,113 S * 11/2004 Zhang D7/332
D498,114 S * 11/2004 Zhang D7/337
D499,299 S * 12/2004 Zhang D7/337
D503,868 S * 4/2005 Pai D7/337
D504,275 S * 4/2005 Pai D7/337

* cited by examiner

Primary Examiner—Ruth McInroy

(74) *Attorney, Agent, or Firm*—Leonard Tachner

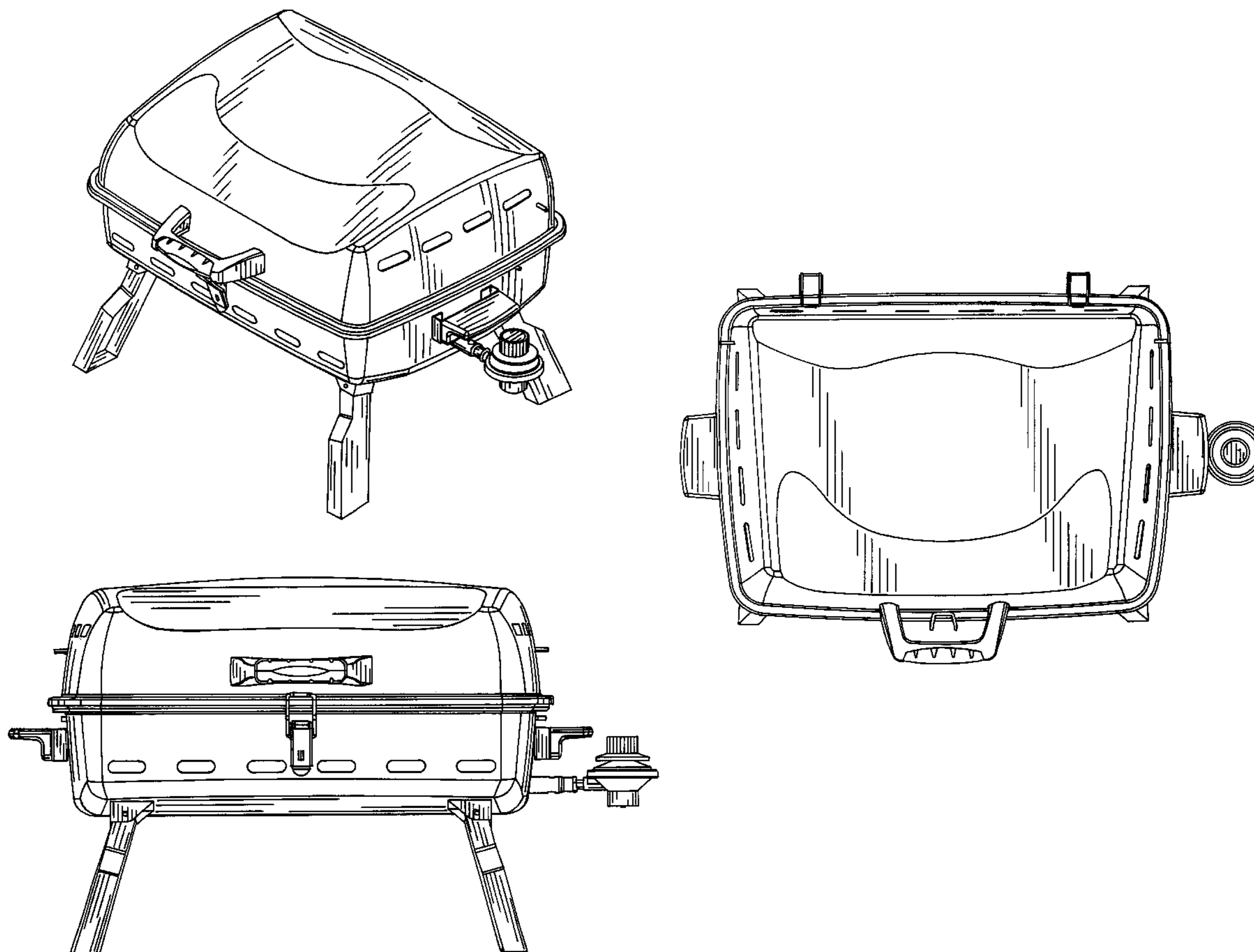
(57) **CLAIM**

The ornamental design for a barbeque grill cooking apparatus, as shown and described.

DESCRIPTION

FIG. 1 is a perspective view of a barbeque grill cooking apparatus showing my new design;
FIG. 2 is a front view thereof;
FIG. 3 is a rear view thereof;
FIG. 4 is a right side view thereof;
FIG. 5 is a left side view thereof;
FIG. 6 is a top view thereof; and,
FIG. 7 is a bottom view thereof.

1 Claim, 7 Drawing Sheets



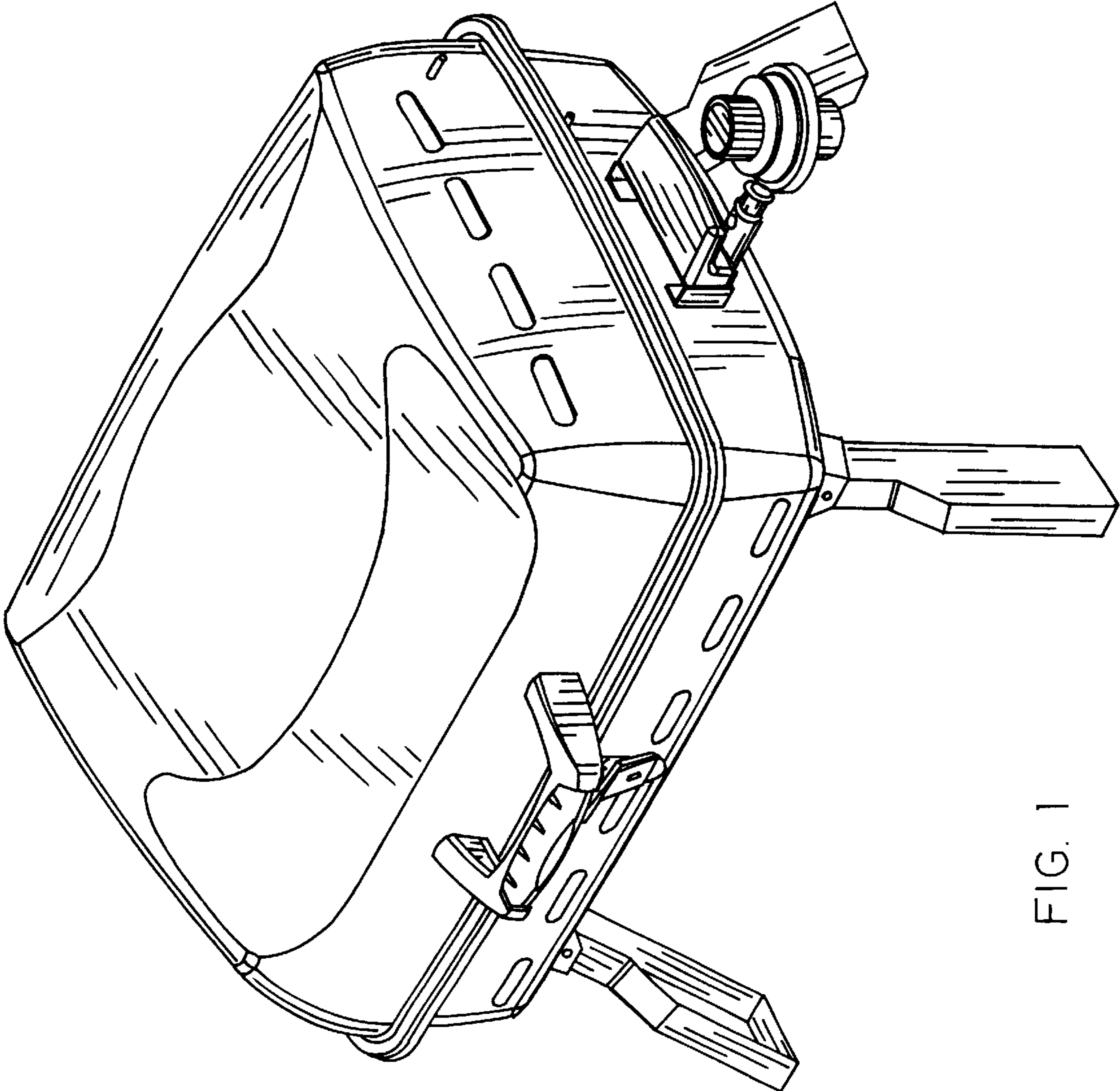


FIG. 1

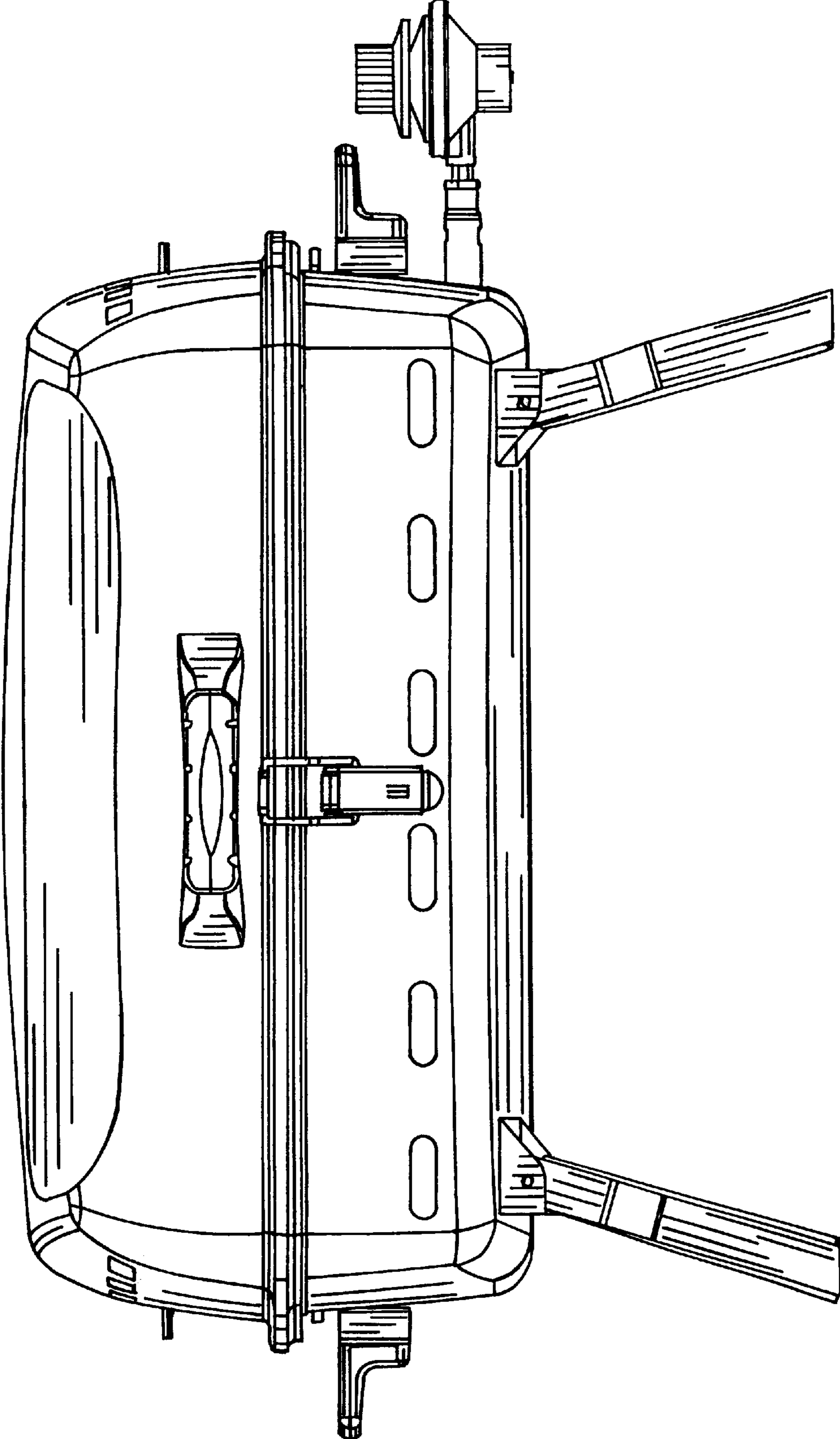


FIG. 2

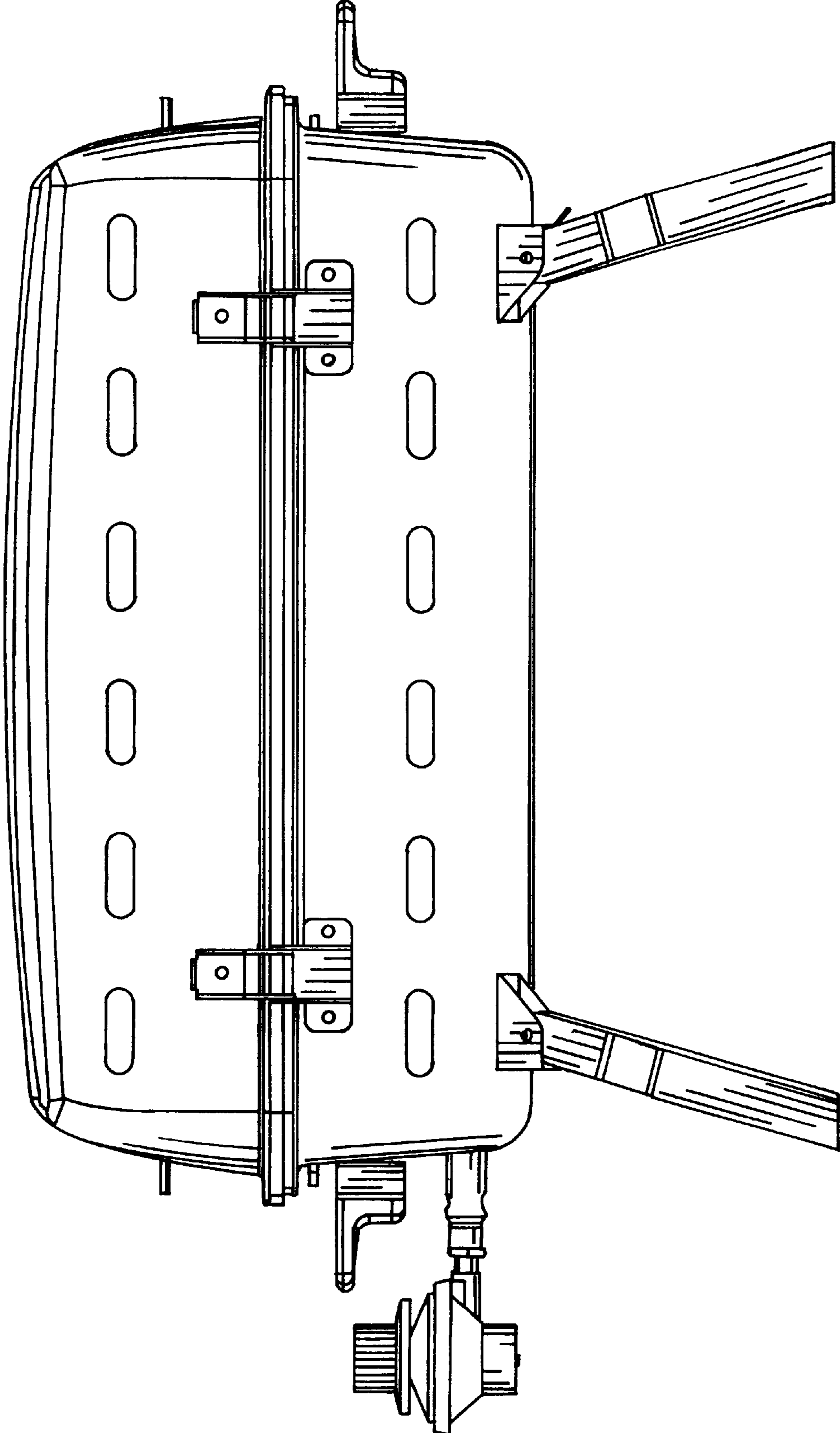


FIG. 3

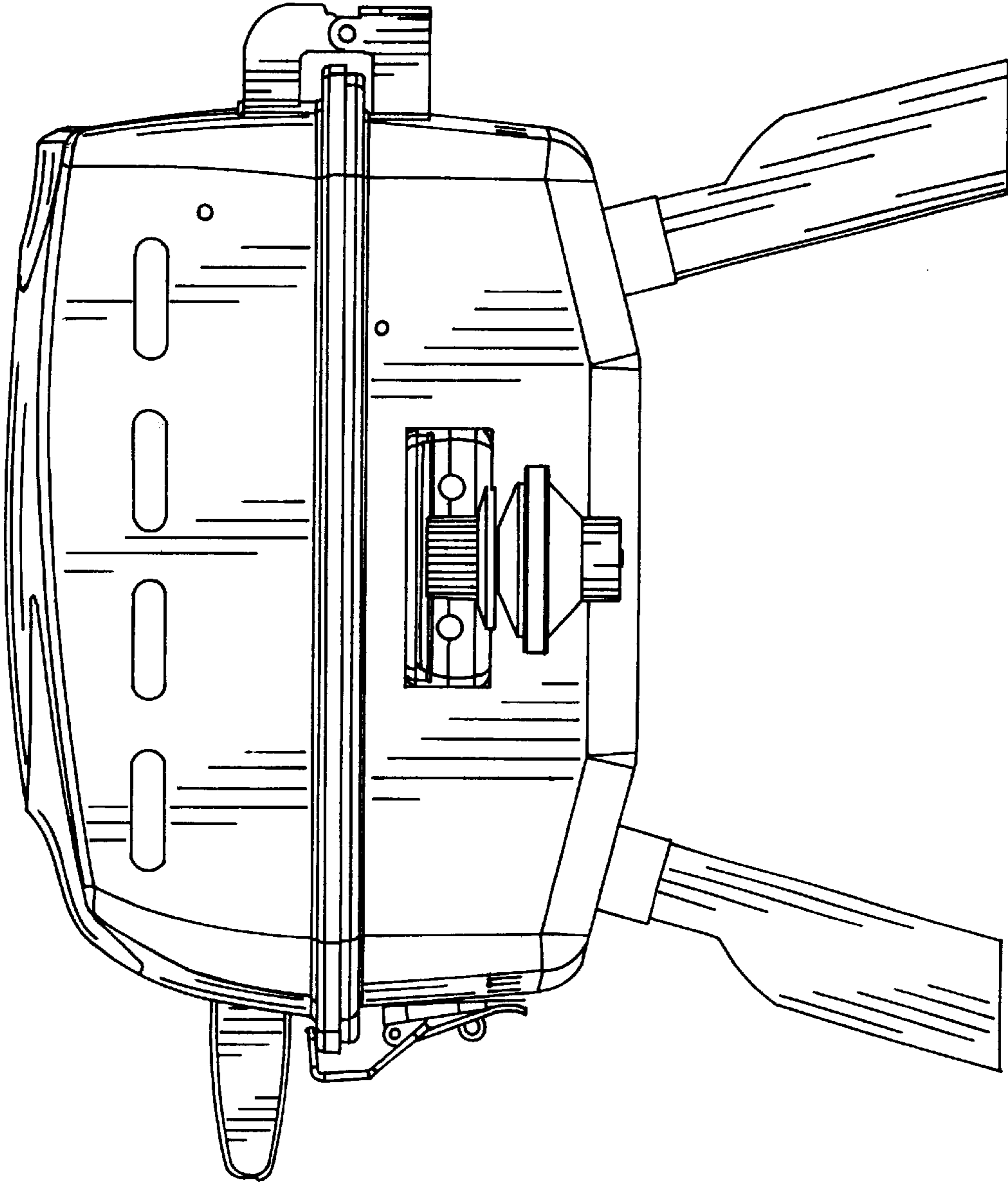


FIG. 4

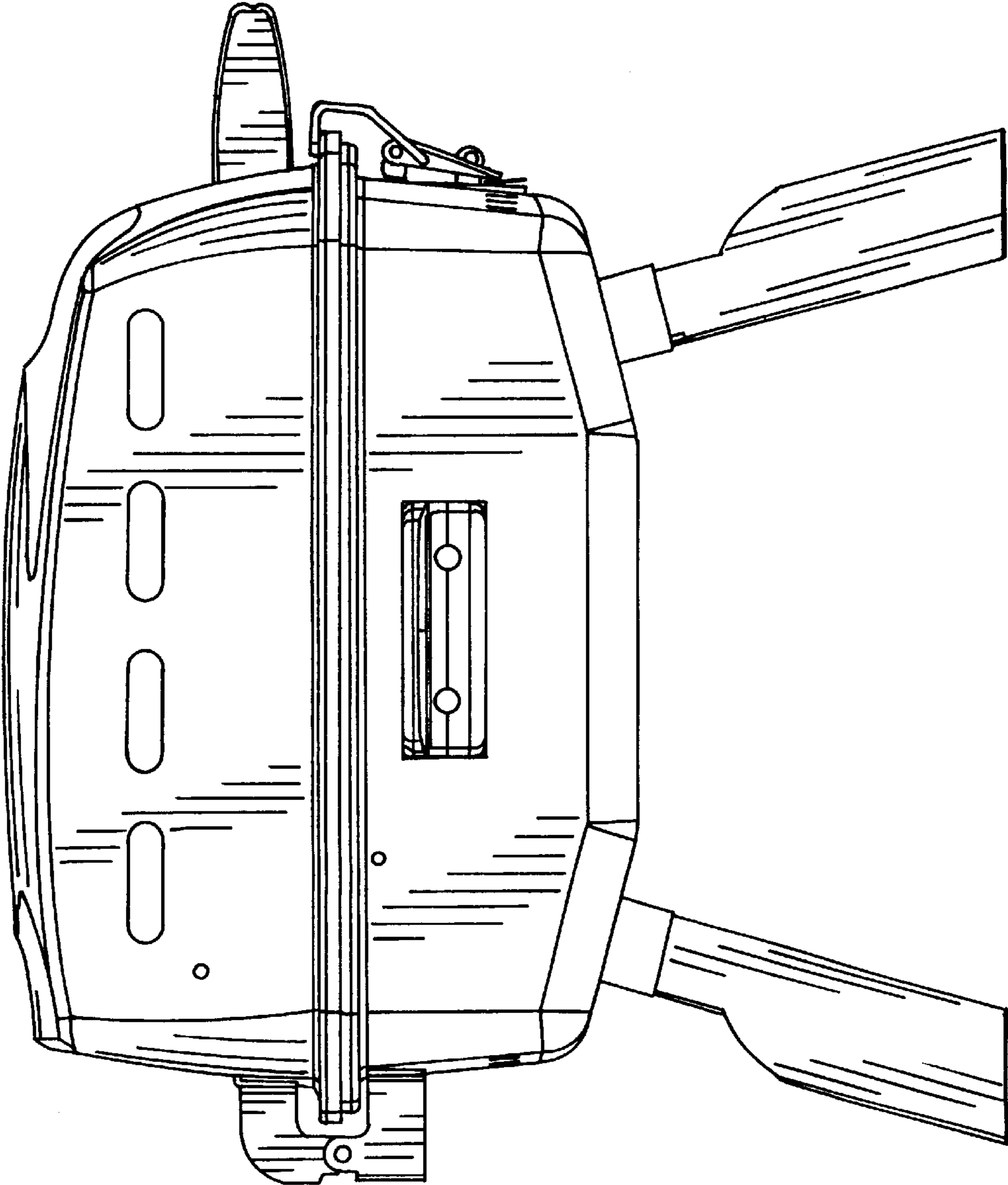


FIG. 5

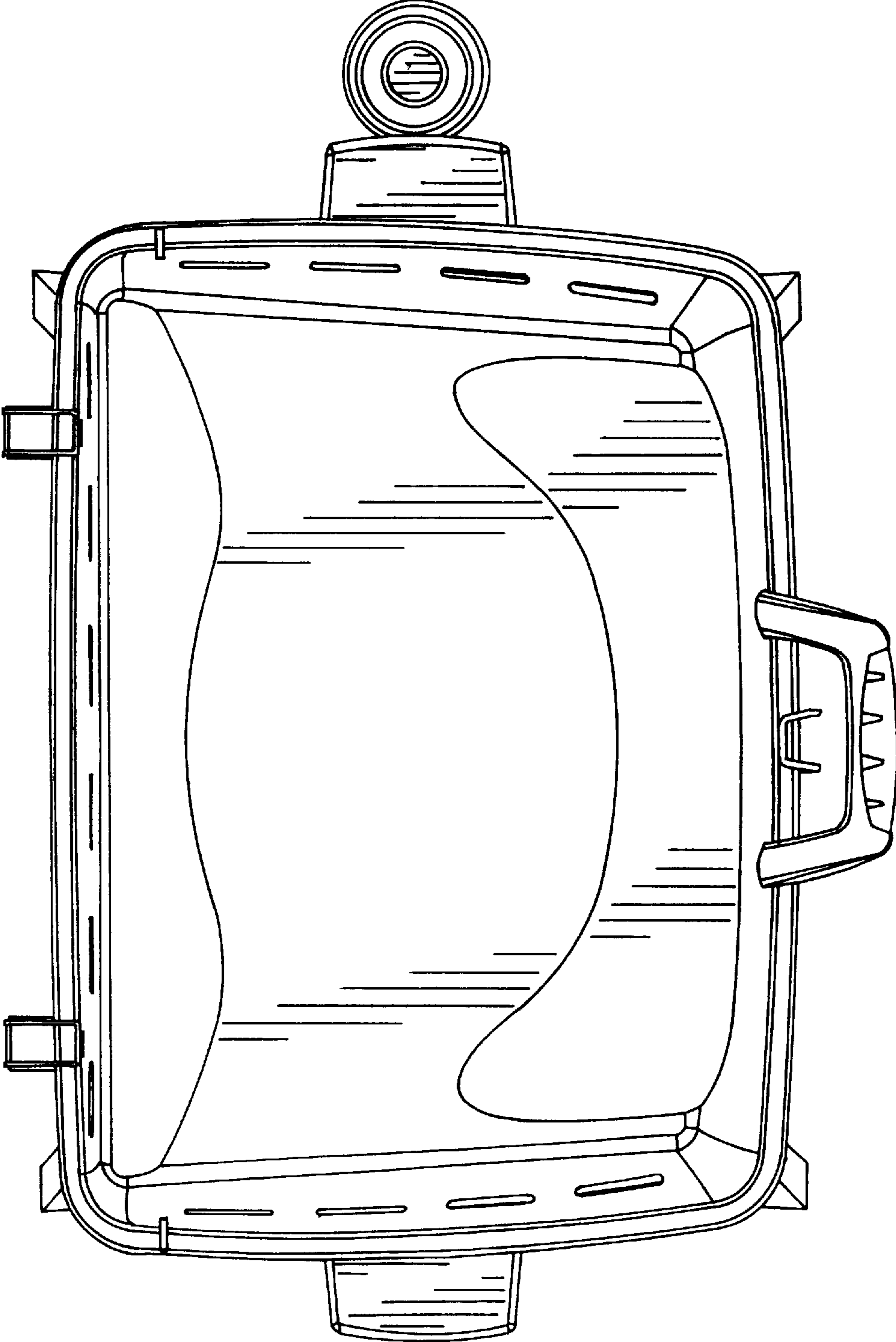


FIG. 6

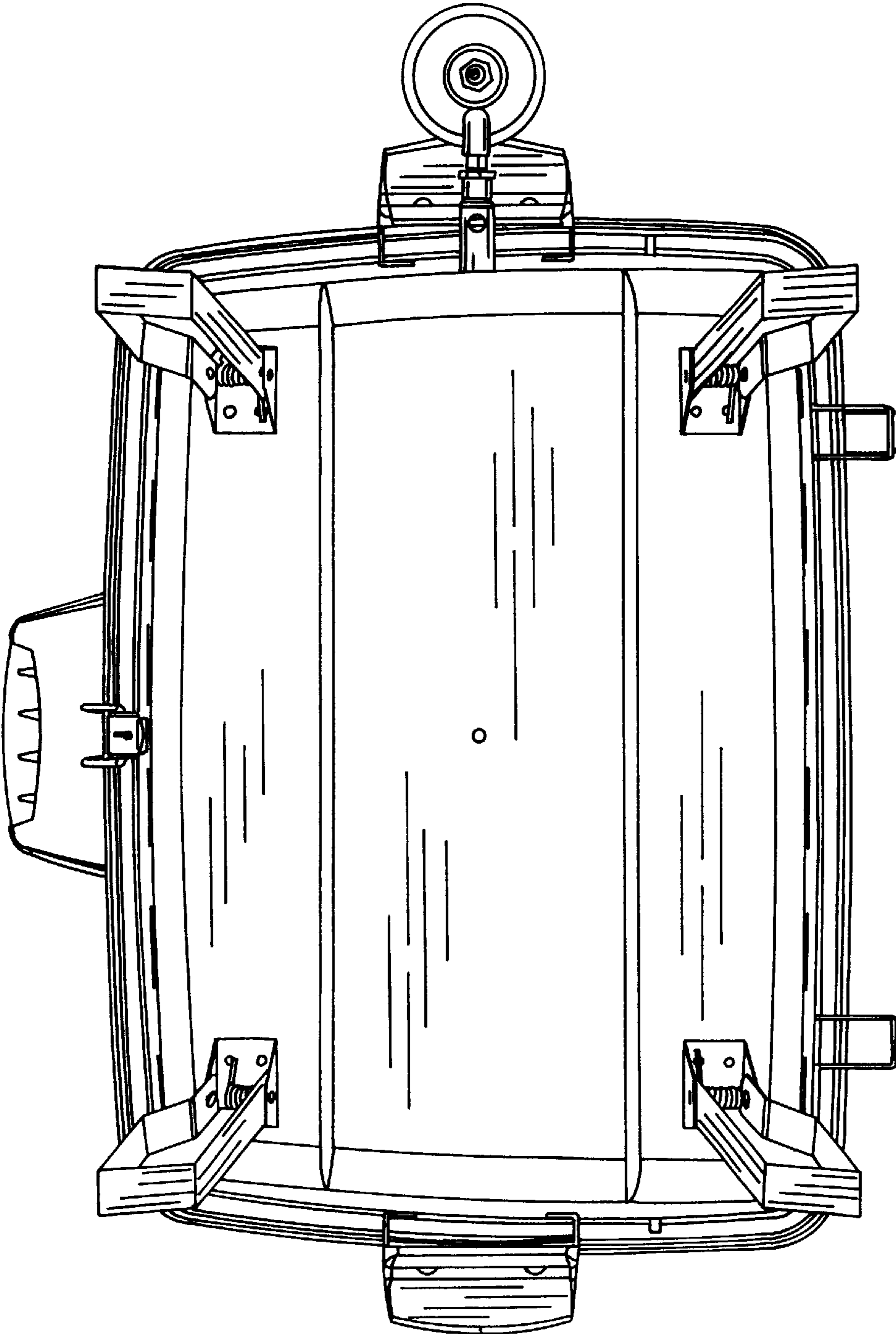


FIG. 7