



US00D511420S

(12) **United States Design Patent**  
**Haralson**

(10) **Patent No.:** **US D511,420 S**  
(45) **Date of Patent:** **\*\* Nov. 15, 2005**

(54) **SIDE CHAIR**

(75) **Inventor:** **Farrell Haralson**, Bermuda Dunes, CA (US)

(73) **Assignee:** **Quildcraft of California**, Rancho Dominguez, CA (US)

(\*\*) **Term:** **14 Years**

(21) **Appl. No.:** **29/222,330**

(22) **Filed:** **Jan. 31, 2005**

(51) **LOC (8) Cl.** ..... **06-01**

(52) **U.S. Cl.** ..... **D6/370; D6/380**

(58) **Field of Search** ..... D6/334, 369, 370, D6/374, 376, 379, 380, 500-502; 297/445.1, 446.1, 452.63

D375,636 S	*	11/1996	Arcese et al.	.....	D6/370
D375,846 S	*	11/1996	Lenger	.....	D6/370
D389,329 S	*	1/1998	Krause et al.	.....	D6/370
D404,585 S	*	1/1999	De Blaay	.....	D6/379
D407,912 S	*	4/1999	Walters et al.	.....	D6/380
D426,716 S	*	6/2000	Hutton	.....	D6/370
D431,380 S	*	10/2000	Hutton	.....	D6/360
D457,341 S	*	5/2002	Muller	.....	D6/370
D465,666 S	*	11/2002	Hokanson	.....	D6/369
D469,620 S	*	2/2003	Jackson	.....	D6/370

\* cited by examiner

*Primary Examiner*—Mimosa De

(74) *Attorney, Agent, or Firm*—Michael A. Painter

(57) **CLAIM**

The ornamental design for a side chair, as described and shown.

**DESCRIPTION**

FIG. 1 is front perspective view of a side chair illustrating my new design;

FIG. 2 is a top plan view thereof;

FIG. 3 is a front elevation view thereof;

FIG. 4 is a rear elevation view thereof;

FIG. 5 is a right side elevation view thereof, the left side elevation being identical thereto; and,

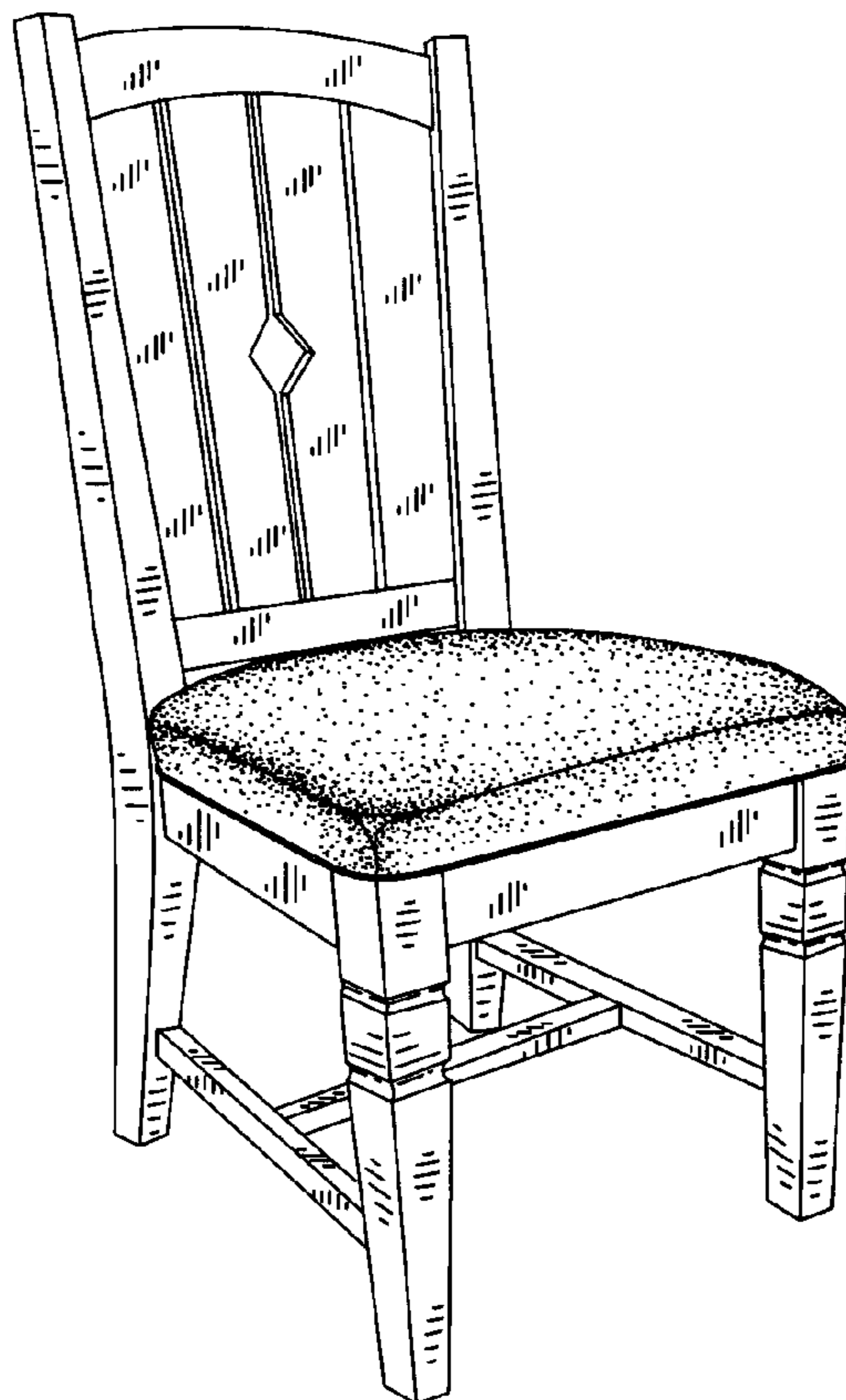
FIG. 6 is a bottom plan view thereof.

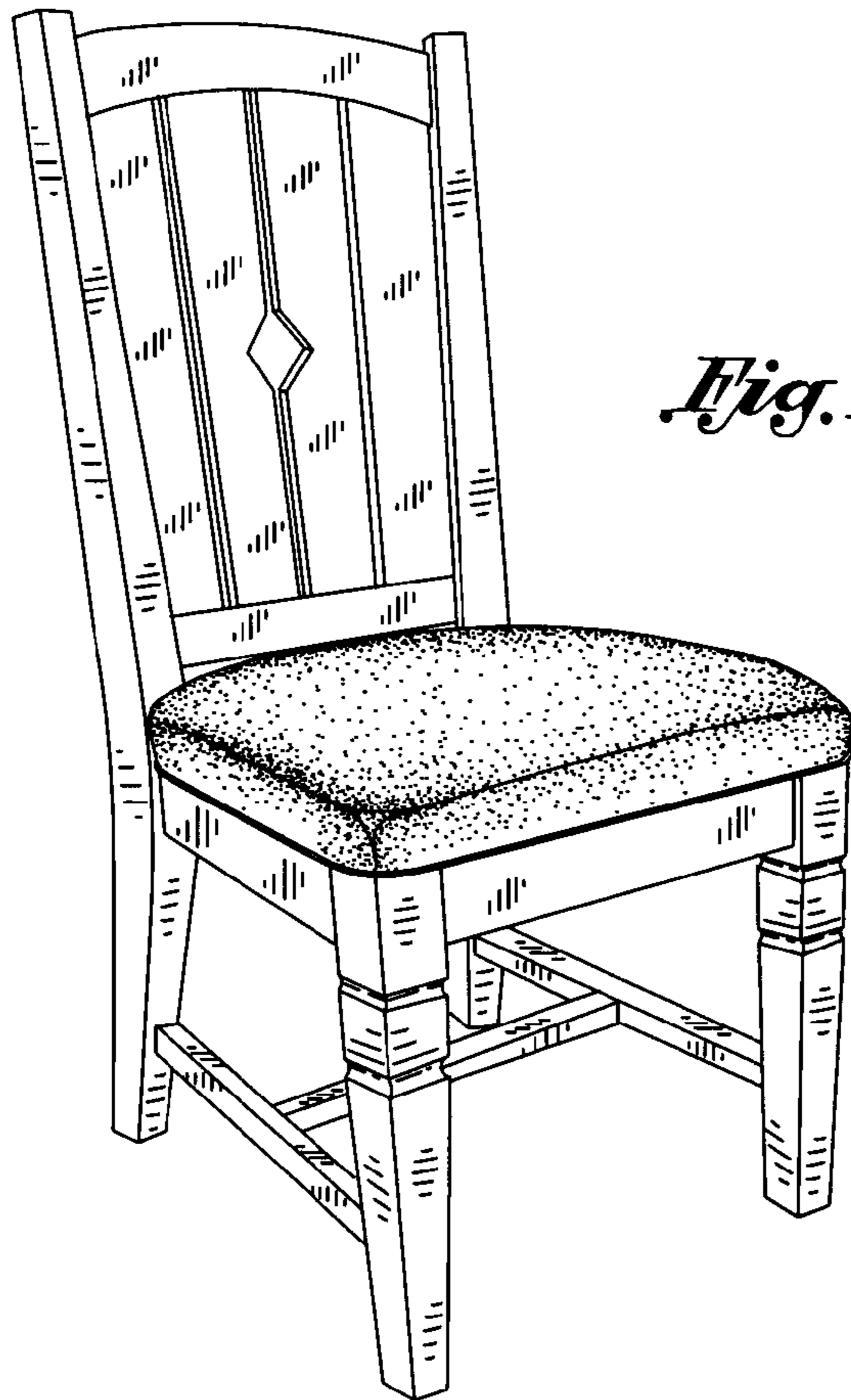
**1 Claim, 2 Drawing Sheets**

(56) **References Cited**

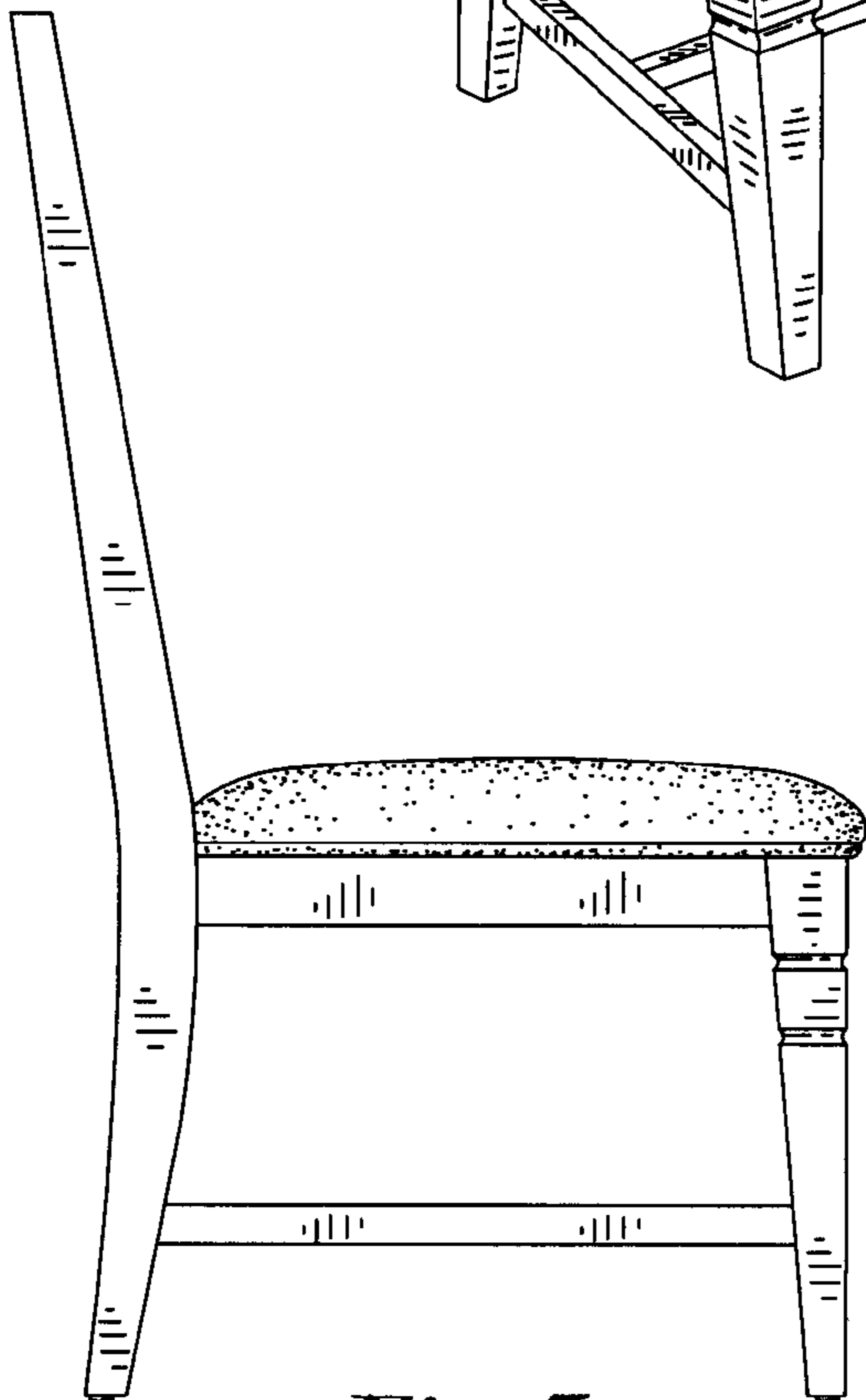
**U.S. PATENT DOCUMENTS**

D102,695 S	*	1/1937	McLellan	.....	D6/370
D121,072 S	*	6/1940	Johnson	.....	D6/370
D182,411 S	*	4/1958	Giacomini	.....	D6/370
D257,921 S	*	1/1981	Smith, Jr.	.....	D6/369
D259,079 S	*	5/1981	Smith, Jr.	.....	D6/380
D333,042 S	*	2/1993	Komai et al.	.....	D6/370
D340,146 S	*	10/1993	Caldwell	.....	D6/370
D345,657 S	*	4/1994	Pesso	.....	D6/379
D366,160 S	*	1/1996	Walters et al.	.....	D6/370

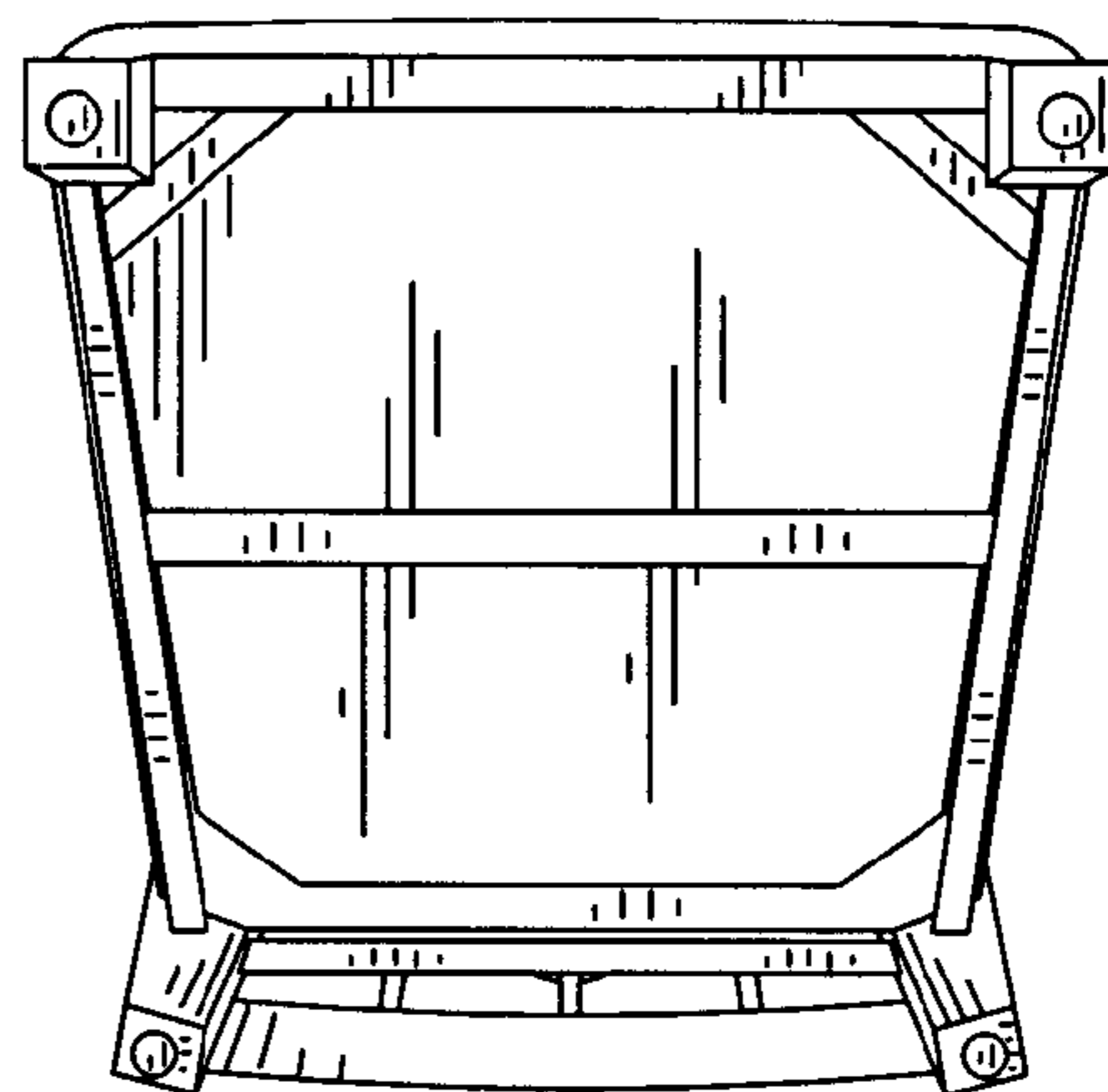




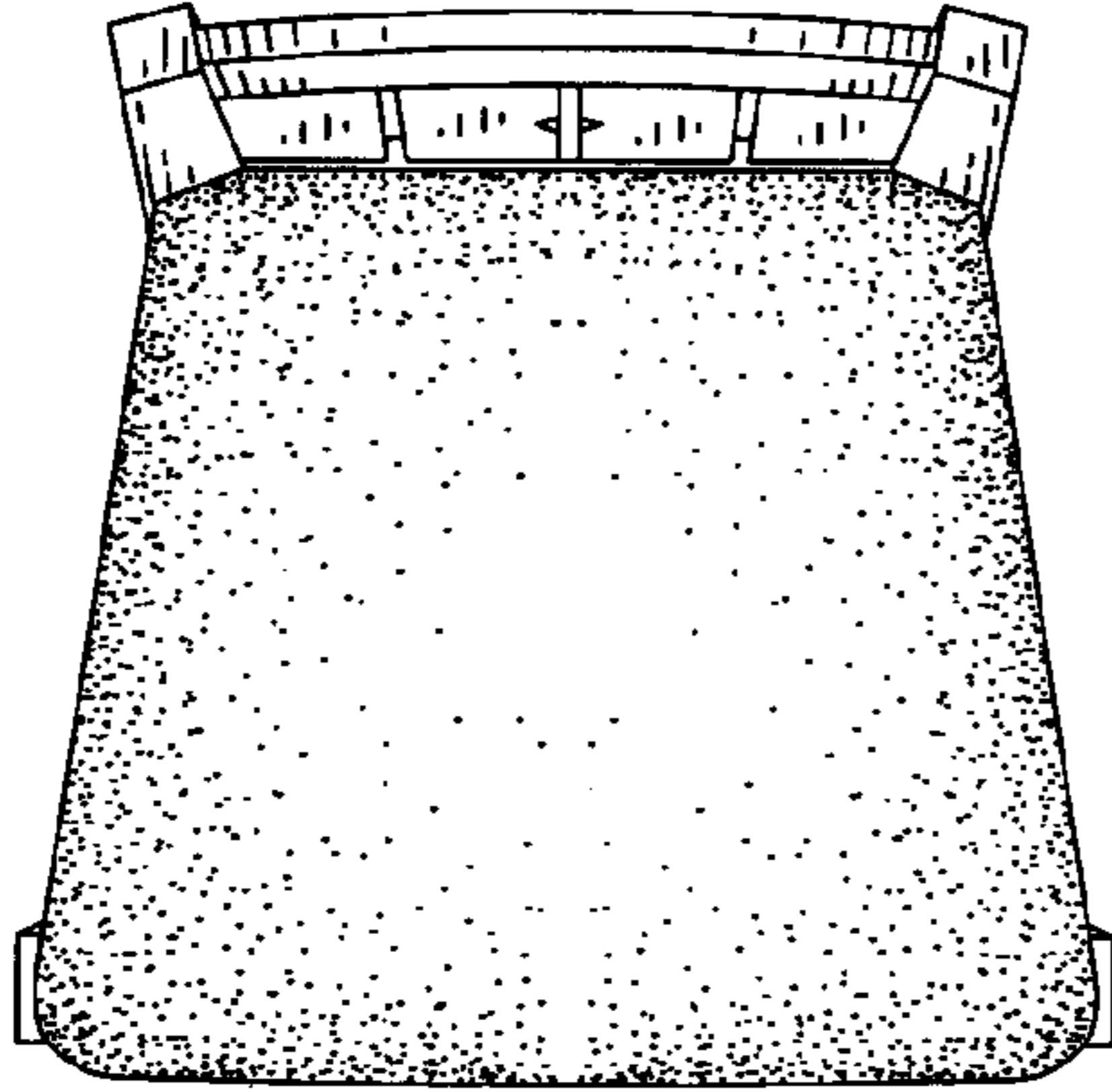
*Fig. 1*



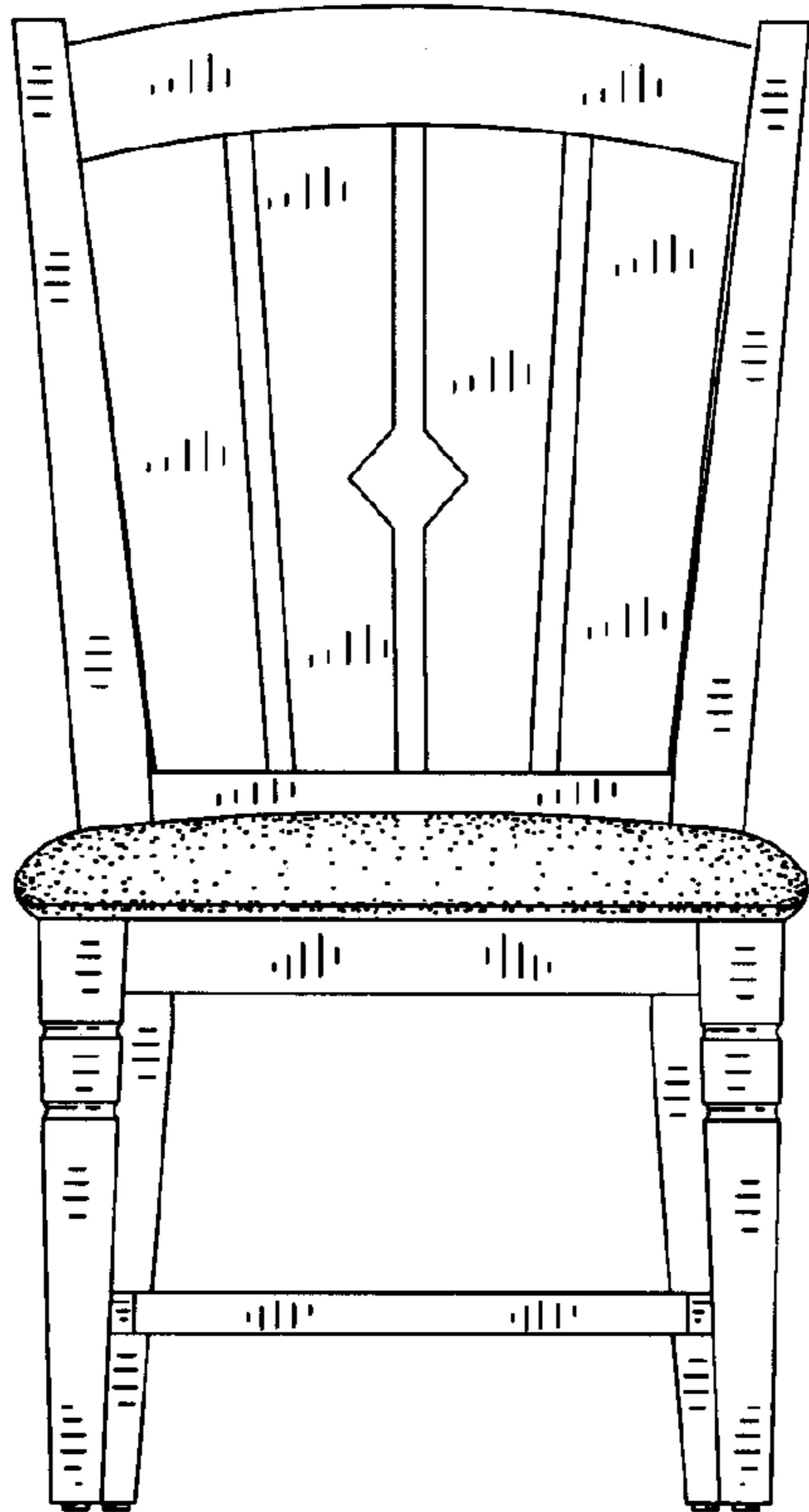
*Fig. 5*



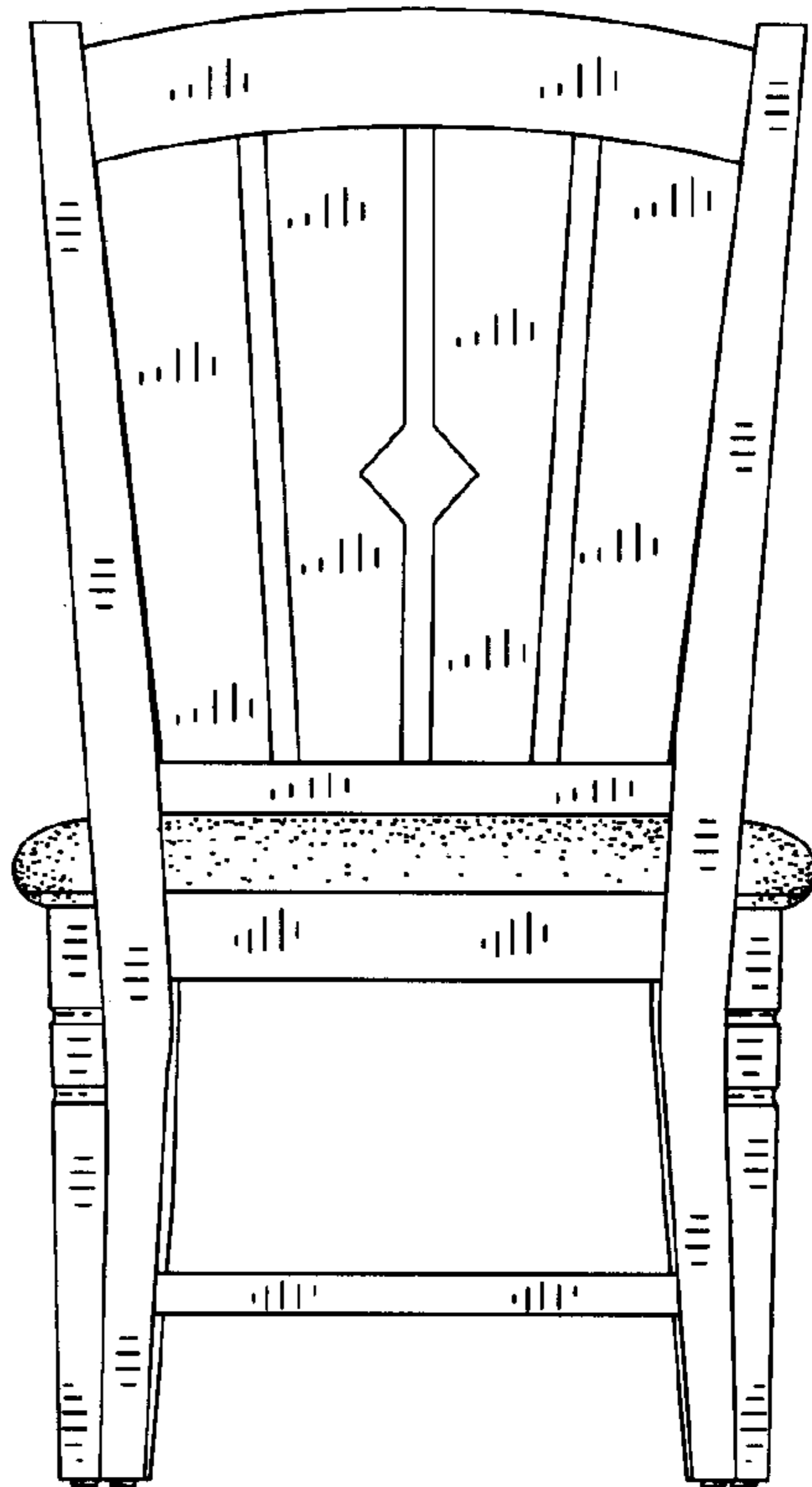
*Fig. 6*



*Fig. 2*



*Fig. 3*



*Fig. 4*