



US00D511419S

(12) **United States Design Patent**
Mohundro

(10) **Patent No.:** **US D511,419 S**

(45) **Date of Patent:** **** Nov. 15, 2005**

(54) **LIVING ROOM CHAIR**

(75) **Inventor:** **James Glenn Mohundro, Taichung (TW)**

(73) **Assignee:** **Pacific Marketing International (H.K.), Ltd., Taichung (TW)**

(**) **Term:** **14 Years**

(21) **Appl. No.:** **29/204,530**

(22) **Filed:** **Apr. 30, 2004**

(51) **LOC (8) Cl.** **06-01**

(52) **U.S. Cl.** **D6/370; D6/379; D6/380**

(58) **Field of Search** **D6/334, 335, 369, D6/370, 374, 375, 379, 380, 500-502; 297/445.1, 446.1, 452.63**

(56) **References Cited**

U.S. PATENT DOCUMENTS

- D66,697 S * 2/1925 McCargar D6/379
- D87,266 S * 6/1932 Levine D6/370
- D94,779 S * 3/1935 Raventos D6/379
- 4,577,906 A * 3/1986 Hsiung 297/446.1
- D395,174 S * 6/1998 Diaz-Azcuy D6/369
- D431,120 S * 9/2000 Hazen et al. D6/370

- D448,187 S * 9/2001 Goldstein D6/370
- D453,426 S * 2/2002 Juhasz D6/379
- D457,342 S * 5/2002 Muller D6/370
- D459,904 S * 7/2002 Hutton D6/370
- D486,663 S * 2/2004 Weaver D6/379

* cited by examiner

Primary Examiner—Mimosa De

(74) *Attorney, Agent, or Firm*—Rosenberg, Klein & Lee

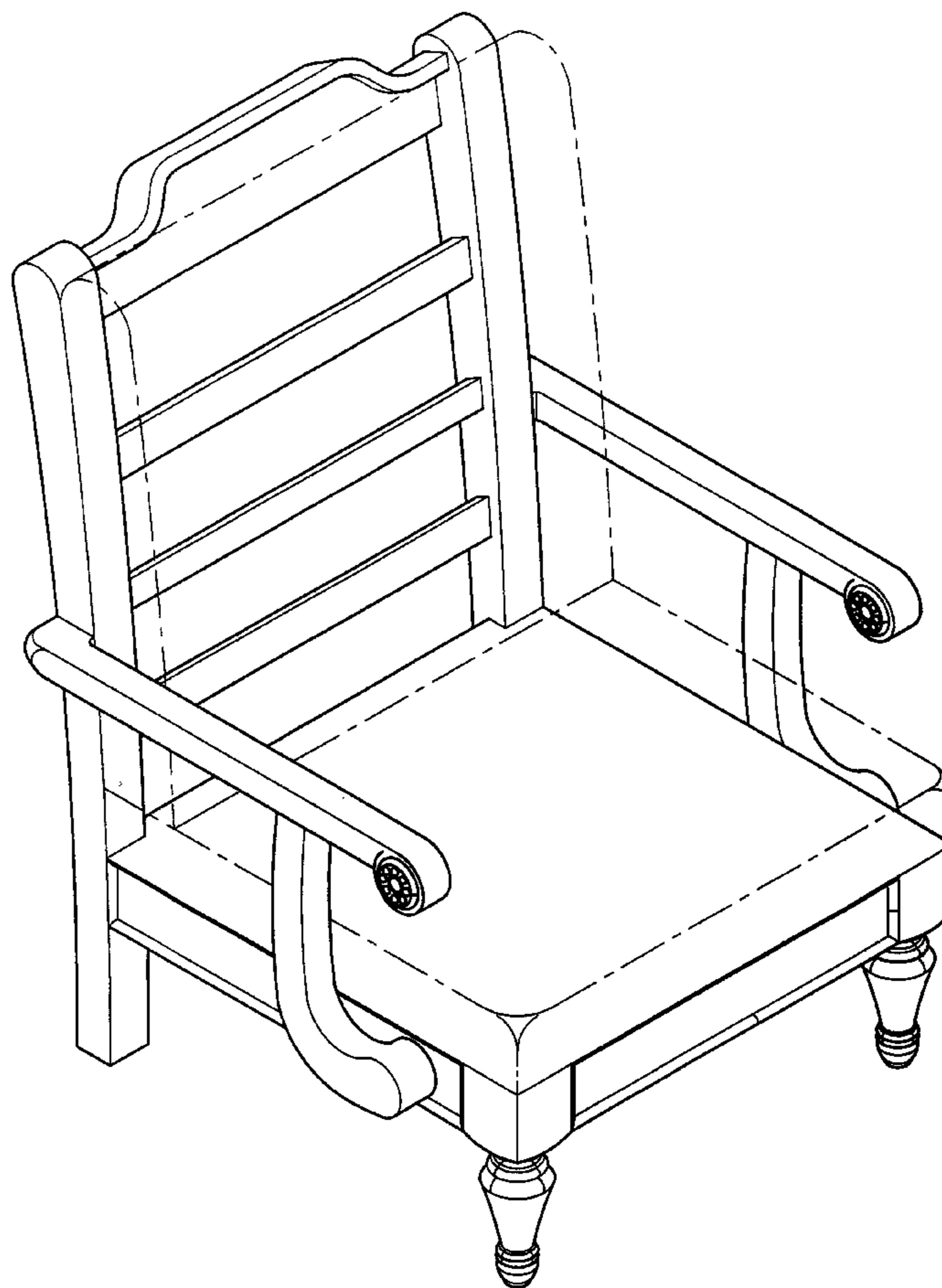
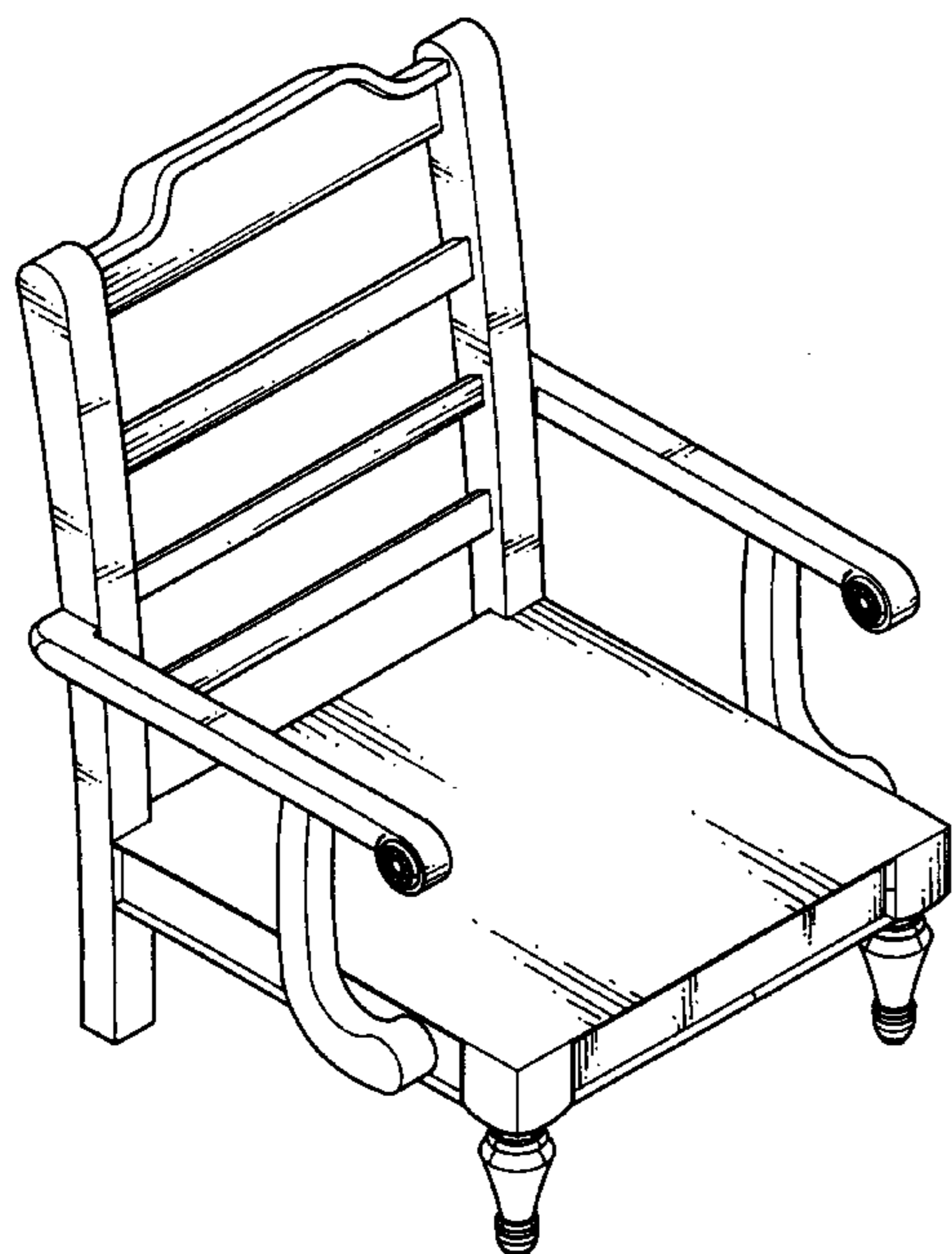
(57) **CLAIM**

The ornamental design for a living room chair, as shown and described.

DESCRIPTION

FIG. 1 is a front perspective view of a living room chair, showing my new design;
 FIG. 2 is a front elevational view thereof;
 FIG. 3 is a rear elevational view thereof;
 FIG. 4 is a left elevational view thereof; and
 FIG. 5 is a right elevational view thereof;
 FIG. 6 is a top plan view thereof; and
 FIG. 7 is a bottom plan view thereof; and,
 FIG. 8 is another perspective view thereof. The broken line showing of the cushion is for illustrative purposes only and forms no part of the claimed design.

1 Claim, 7 Drawing Sheets



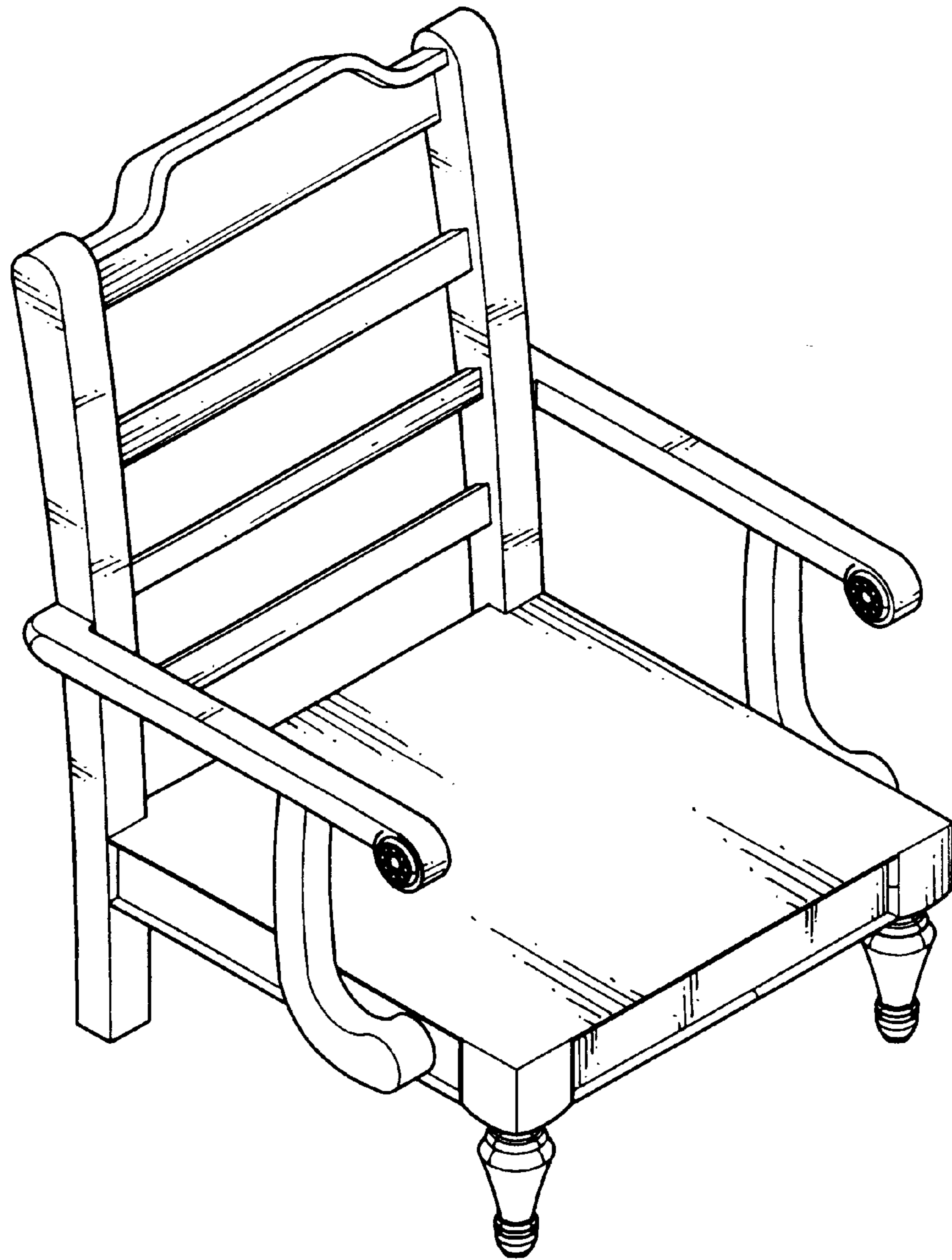


FIG. 1

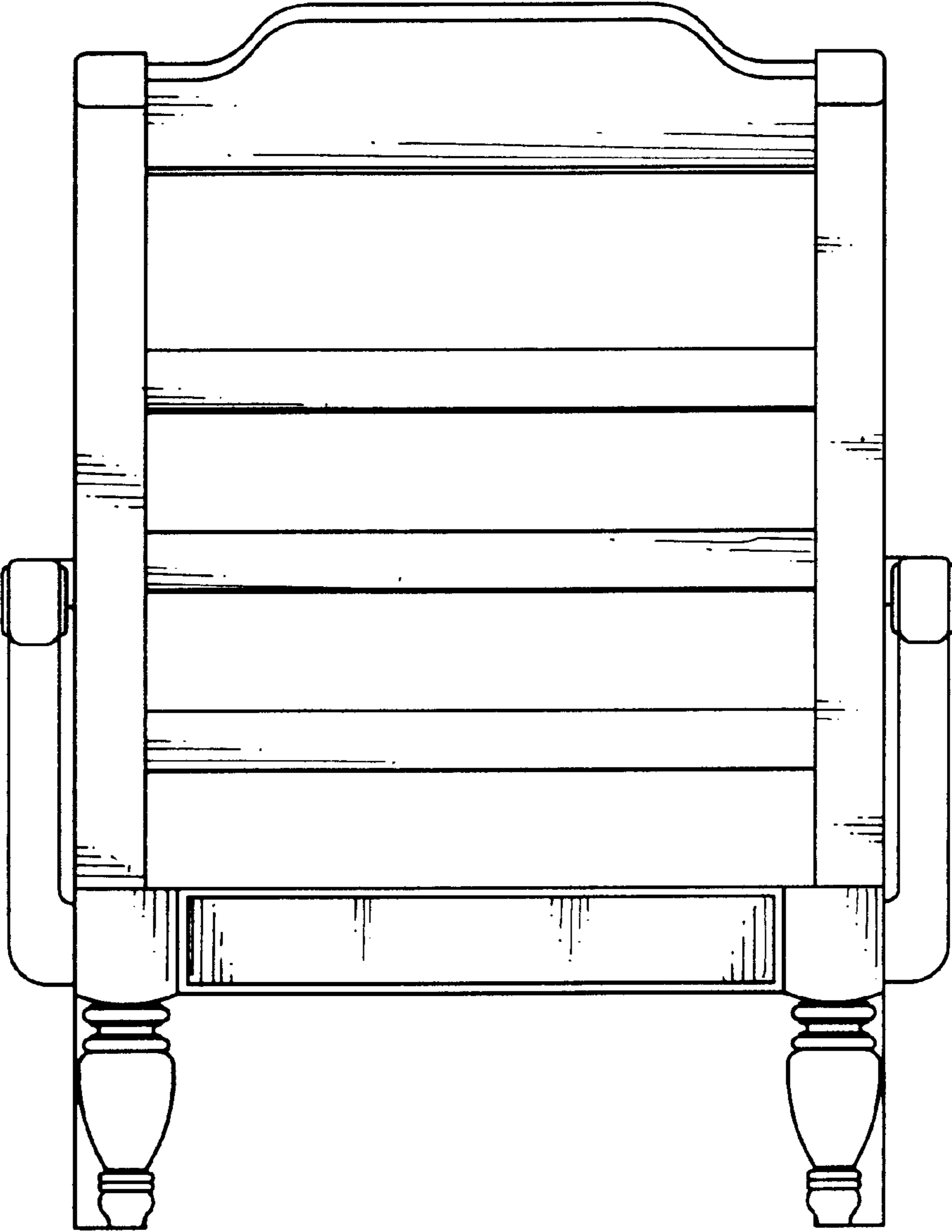


FIG.2

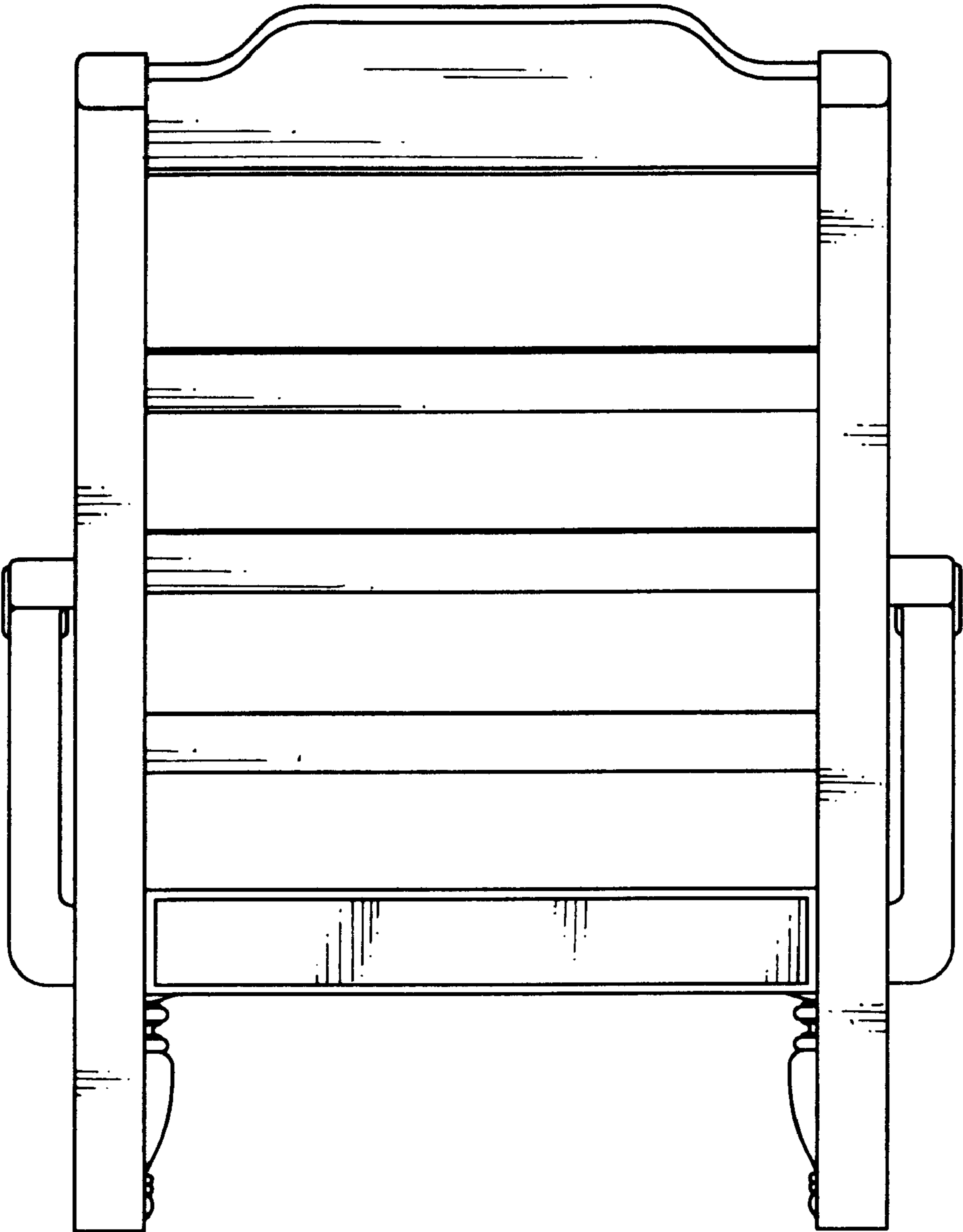


FIG. 3

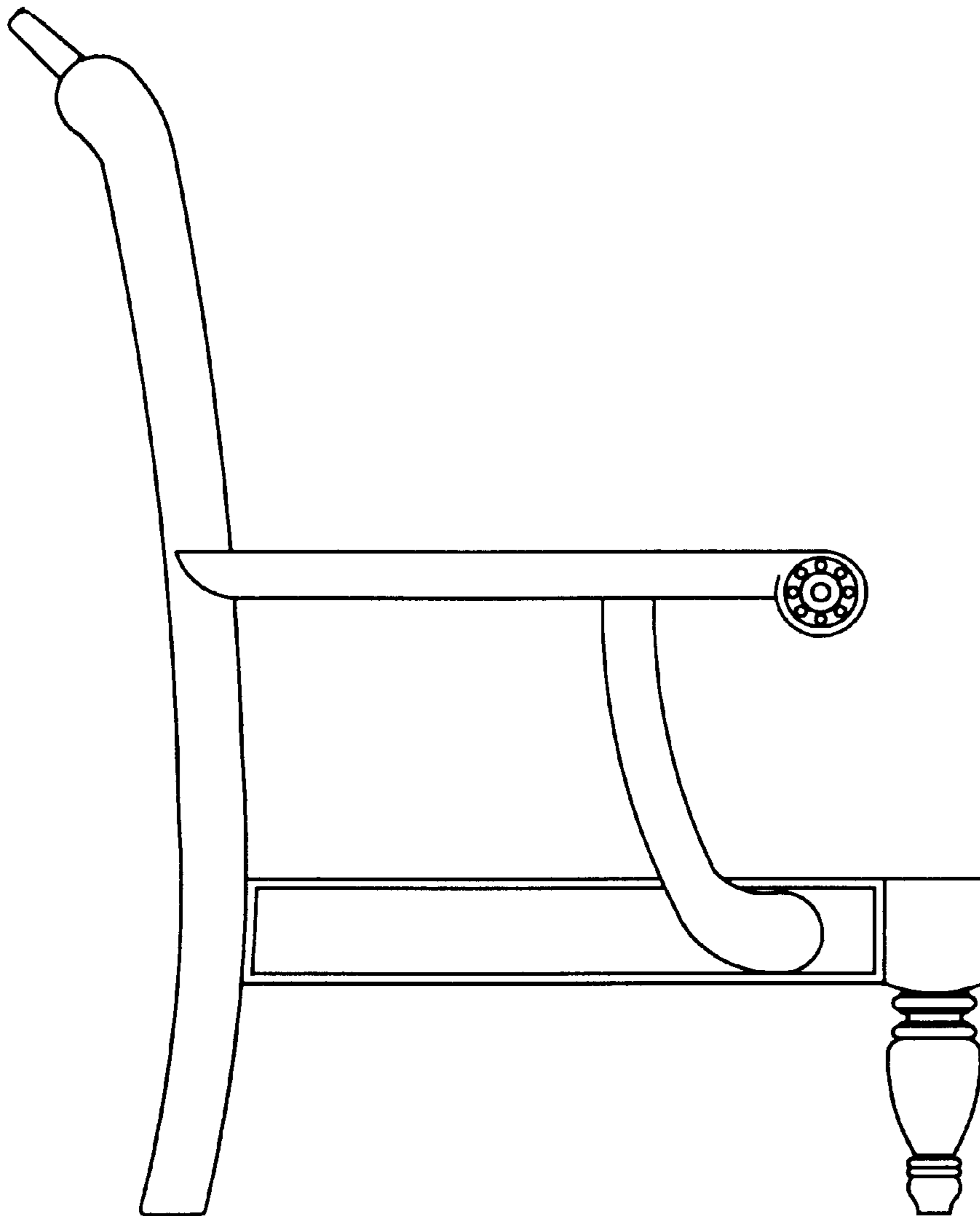


FIG.4

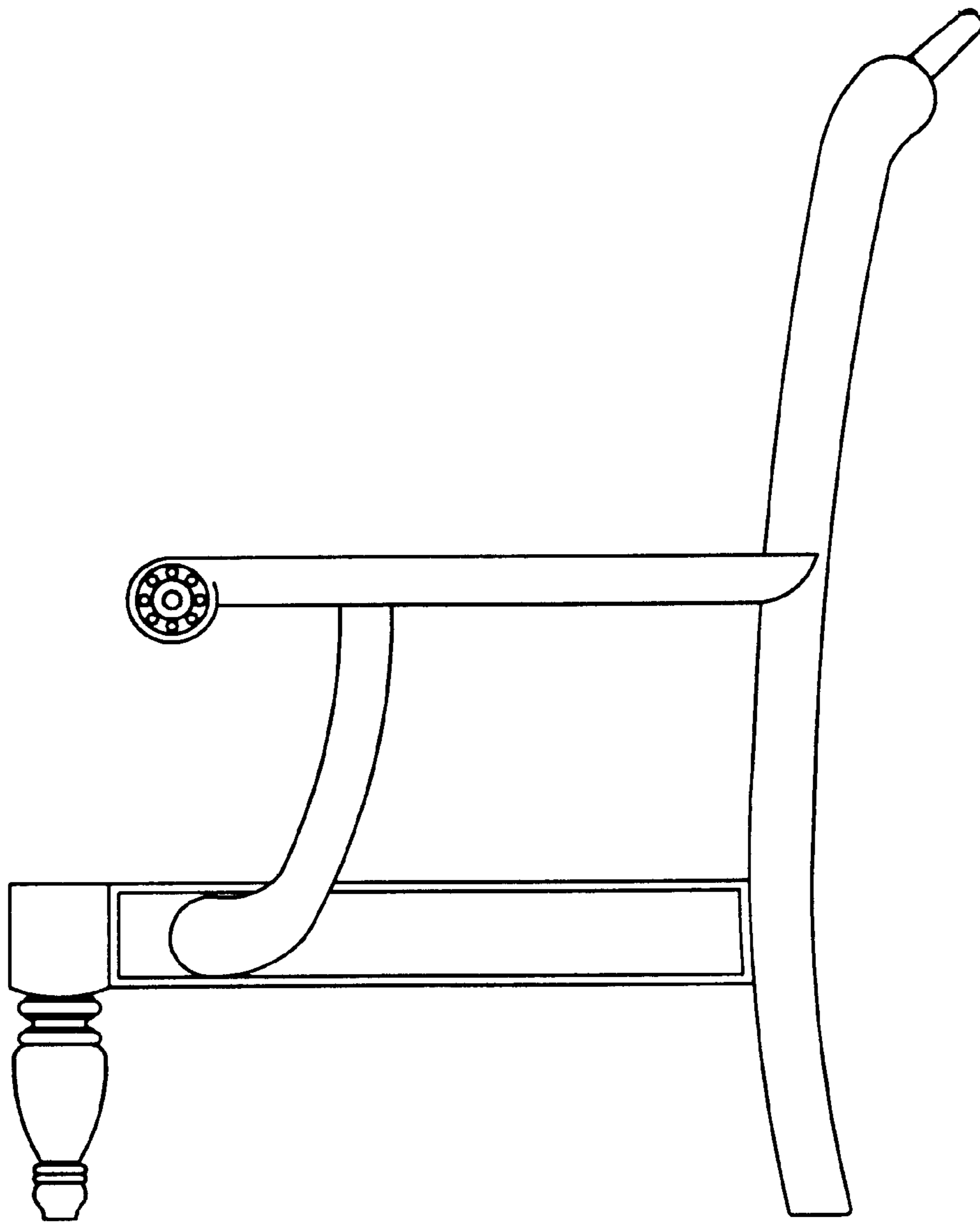


FIG. 5

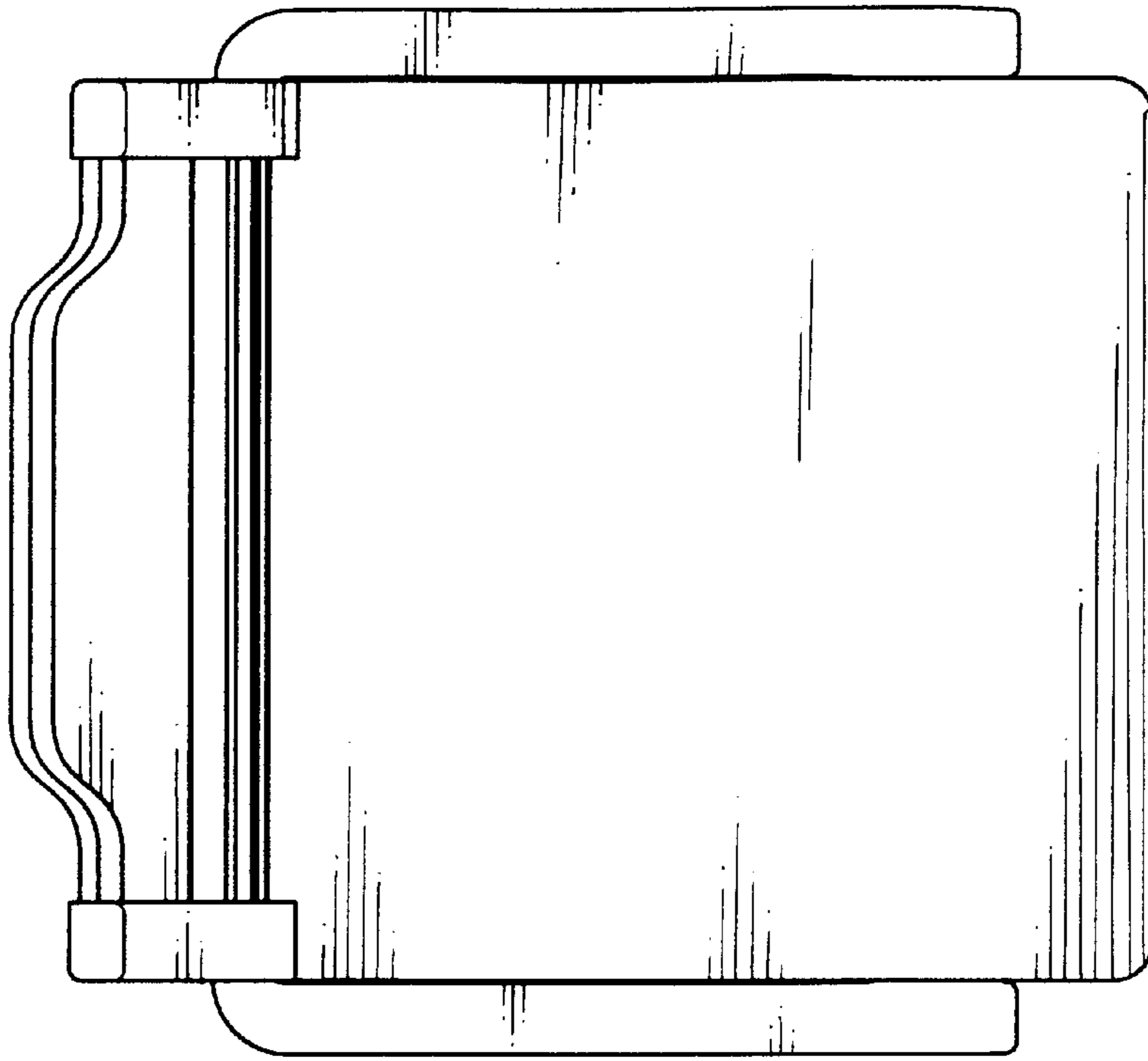


FIG. 6

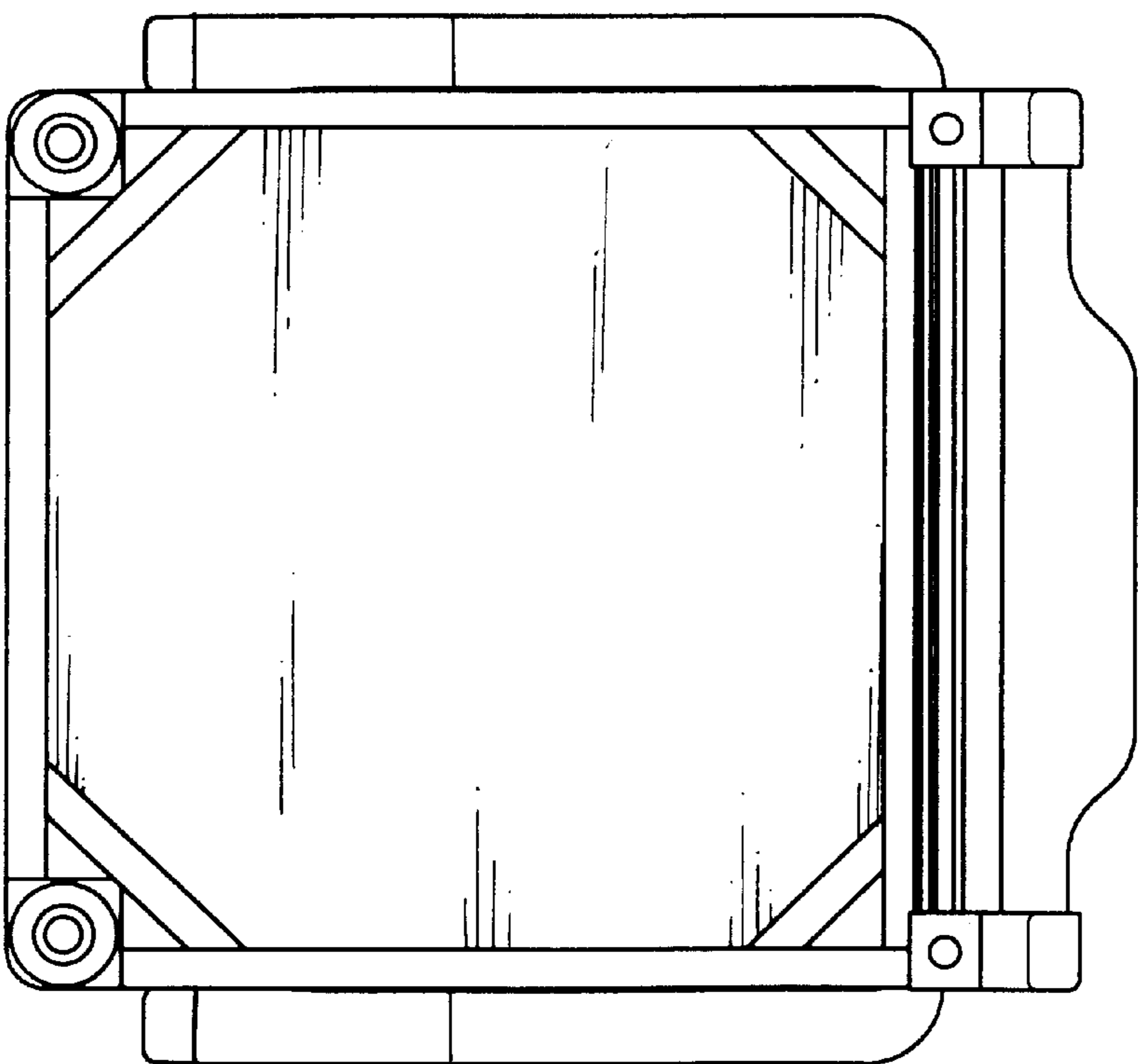


FIG. 7

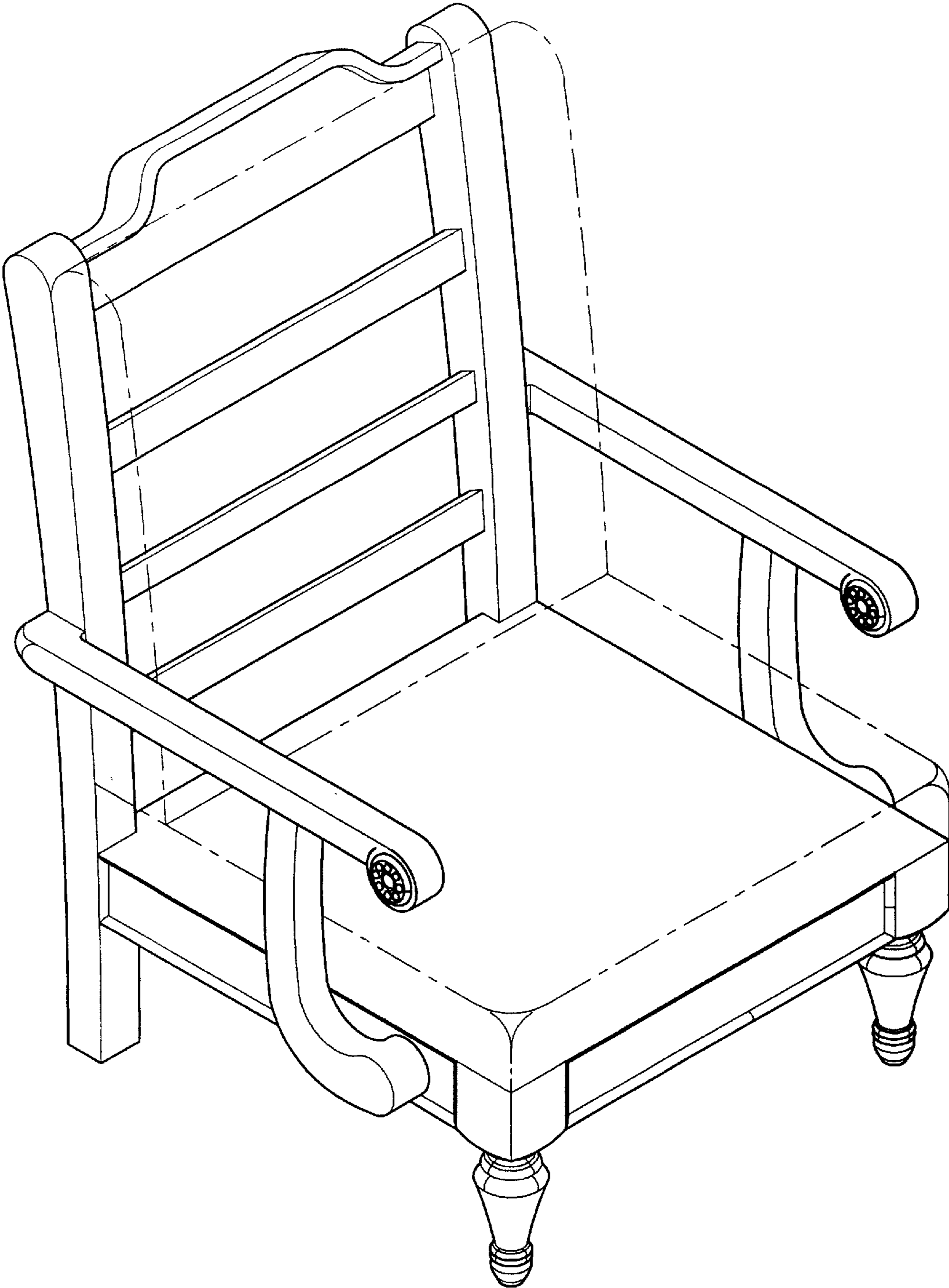


FIG. 8