



US00D511417S

(12) **United States Design Patent**
Astle et al.

(10) **Patent No.:** **US D511,417 S**
(45) **Date of Patent:** **** Nov. 15, 2005**

(54) **PICNIC TABLE**
(75) Inventors: **Robert A. Astle**, Farmington, UT (US);
S. Curtis Nye, Clinton, UT (US)
(73) Assignee: **Lifetime Products, Inc.**, Clearfield, UT
(US)
(**) Term: **14 Years**

(21) Appl. No.: **29/208,924**
(22) Filed: **Jul. 8, 2004**

(51) **LOC (8) Cl.** **06-01**
(52) **U.S. Cl.** **D6/337**
(58) **Field of Search** D6/334, 337, 369,
D6/370, 376, 500-502; 297/157.1, 158.3,
158.4, 158.5, 159.1

(56) **References Cited**

U.S. PATENT DOCUMENTS

3,096,866 A 7/1963 Glass
D231,963 S * 7/1974 May D6/337
D242,305 S 11/1976 Campbell et al.
4,052,100 A 10/1977 Nikitits et al.
D327,778 S 7/1992 Crawford

D348,989 S 7/1994 Pomeroy et al.
D357,590 S 4/1995 Noll
D368,807 S 4/1996 Noll
D396,356 S 7/1998 Peterson
D417,965 S * 12/1999 Strong et al. D6/337
D422,420 S * 4/2000 Shilling et al. D6/337
D429,903 S * 8/2000 Iannaccone D6/337

* cited by examiner

Primary Examiner—Mimosa De
(74) *Attorney, Agent, or Firm*—Workman Nydegger

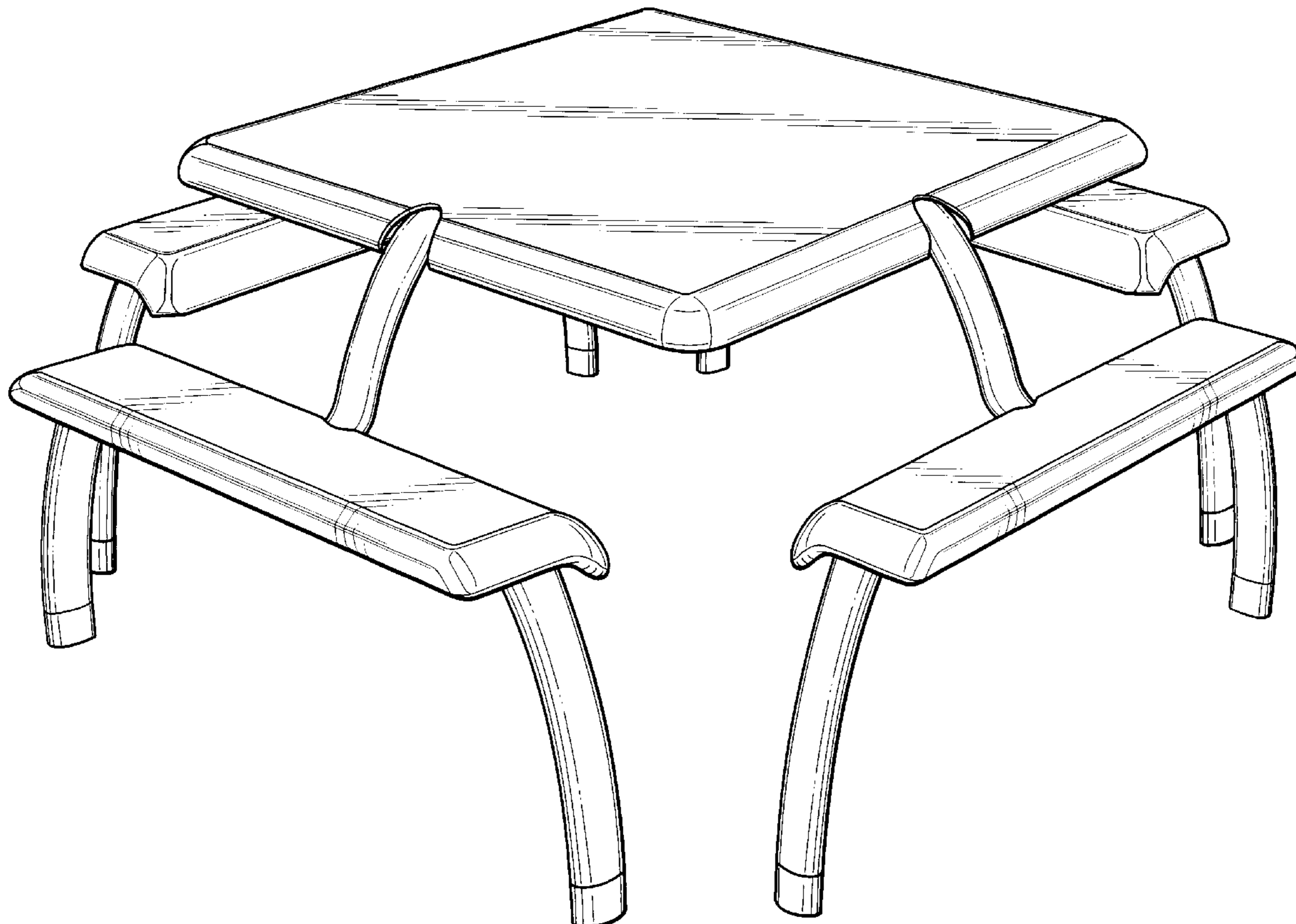
(57) **CLAIM**

The ornamental design for a picnic table, as shown and described.

DESCRIPTION

FIG. 1 is a perspective view of a picnic table;
FIG. 2 is a front view of the picnic table shown in FIG. 1,
with the rear view, right side view and left side view being
mirror images thereof;
FIG. 3 is a top view of the picnic table shown in FIG. 1; and,
FIG. 4 is a bottom view of the picnic table shown in FIG. 1.
The broken lines shown in the figures are for illustrative
purposes only and form no part of the claimed design.

1 Claim, 4 Drawing Sheets



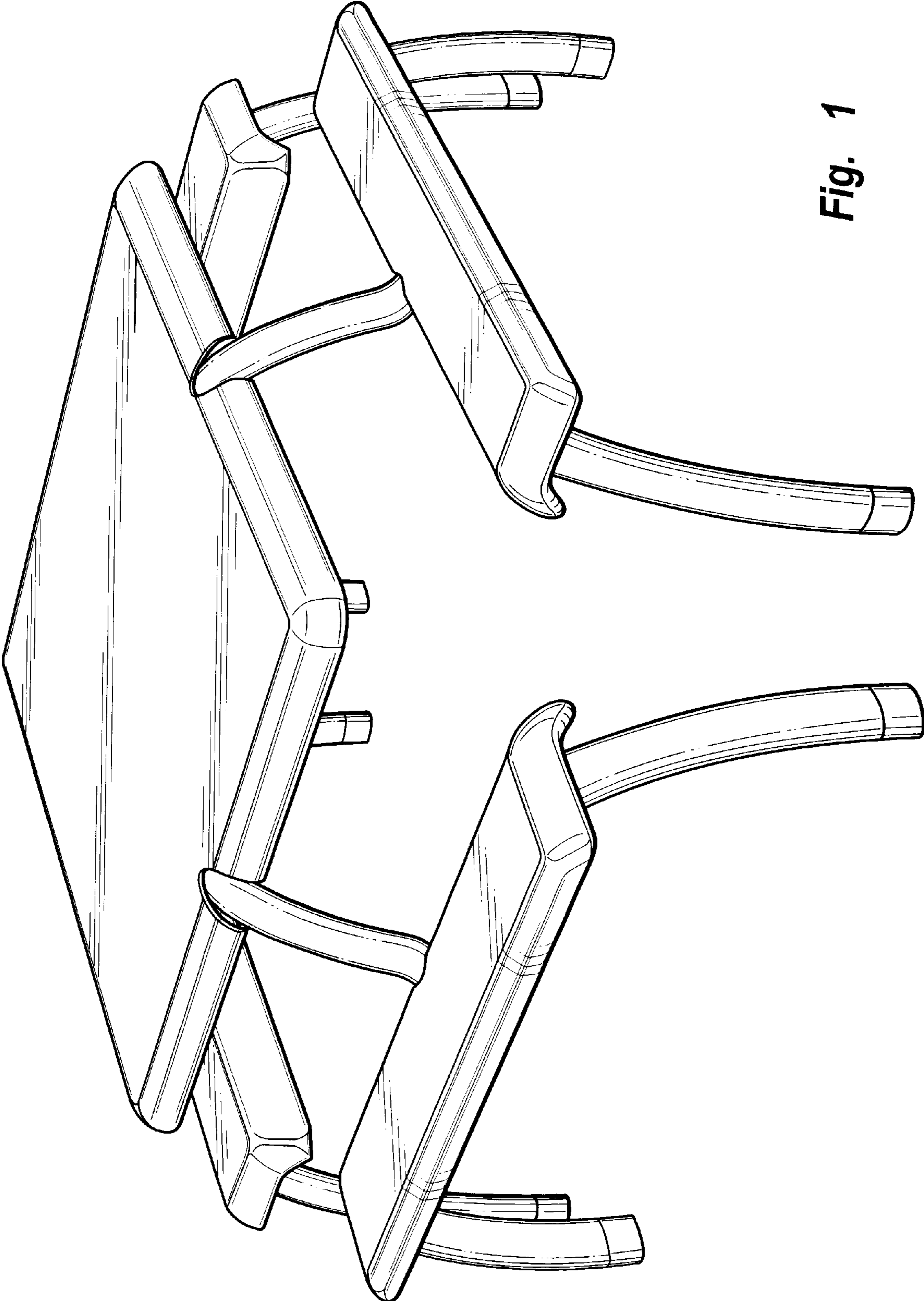


Fig. 1

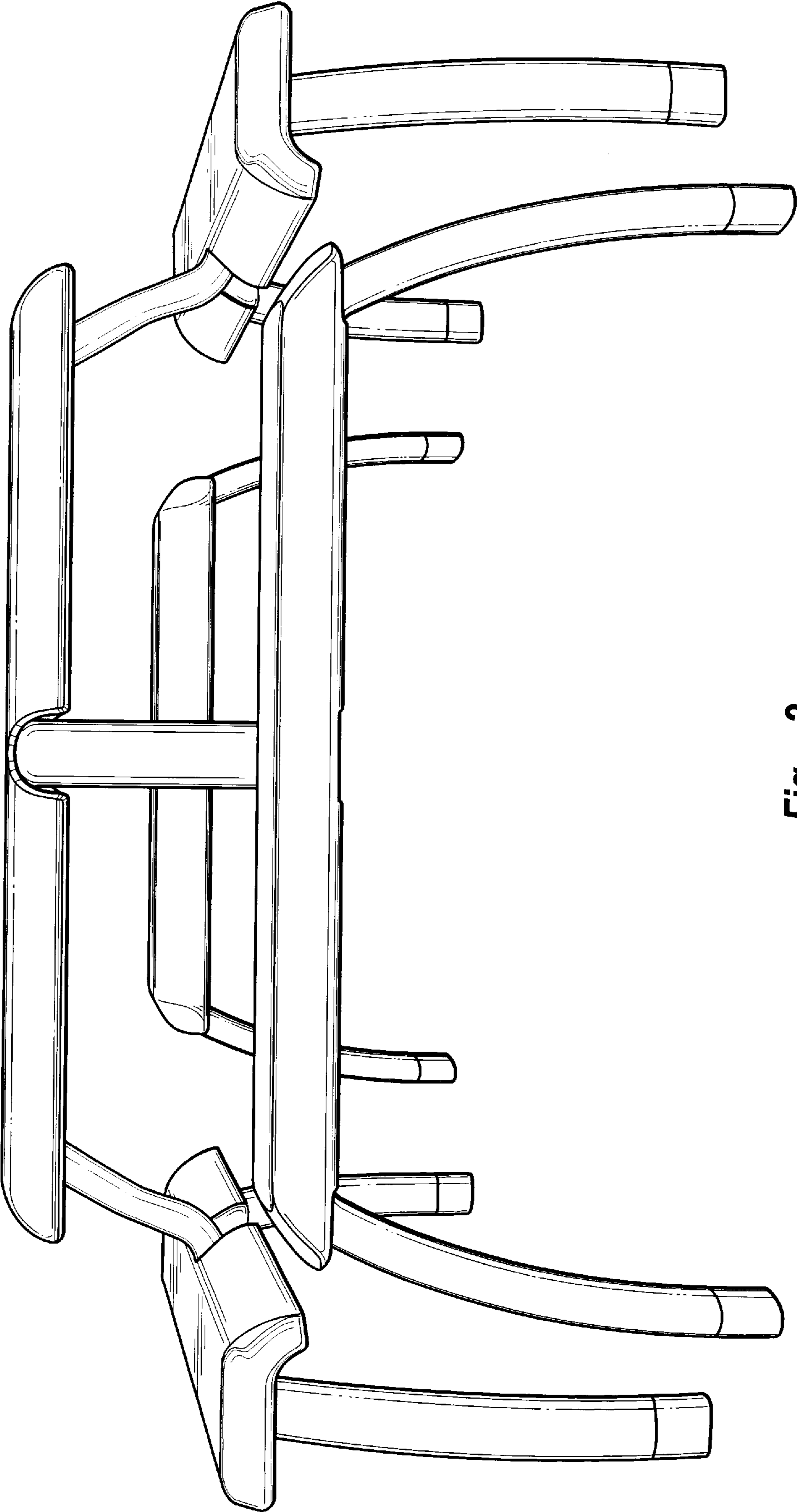


Fig. 2

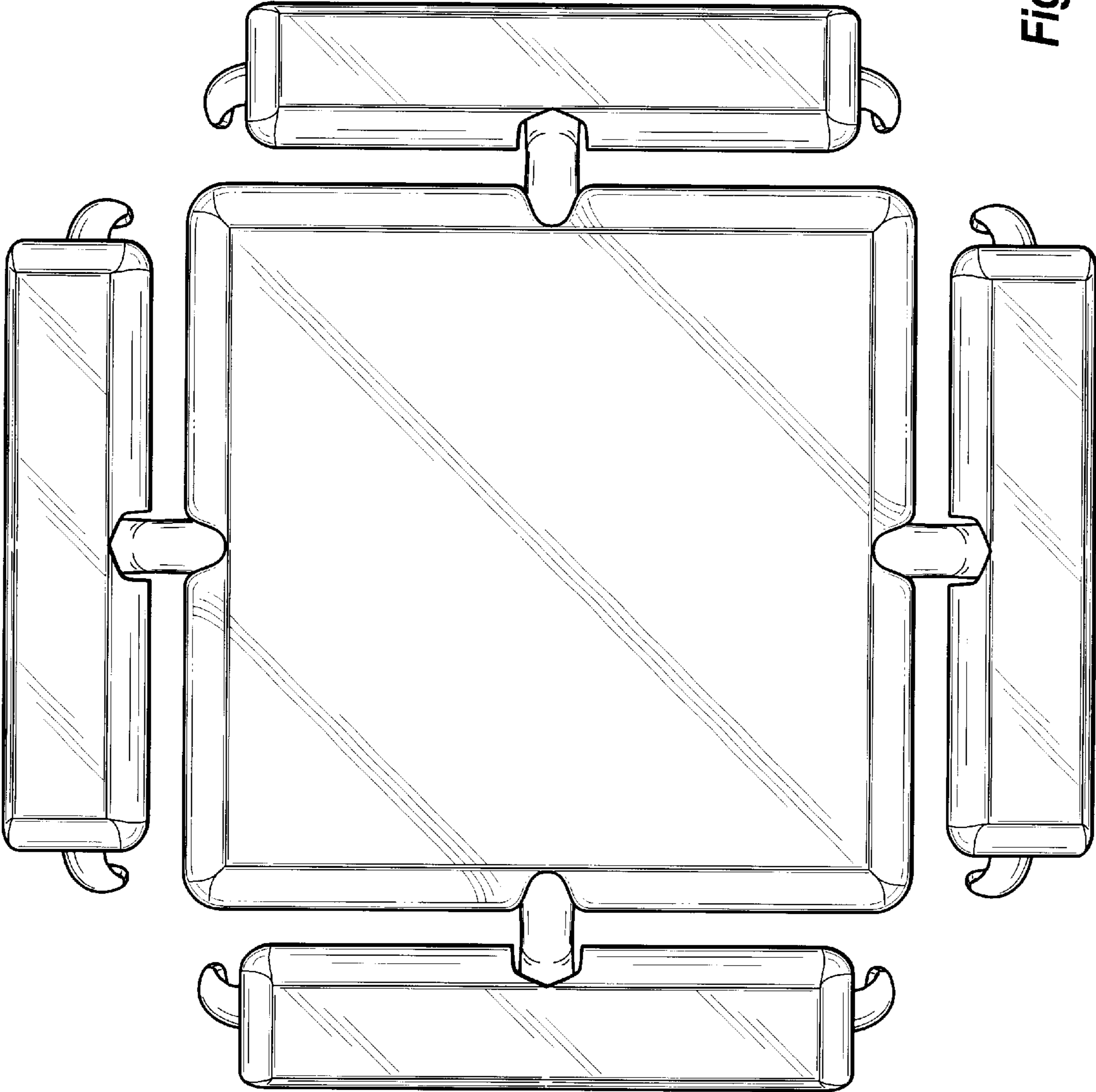


Fig. 3

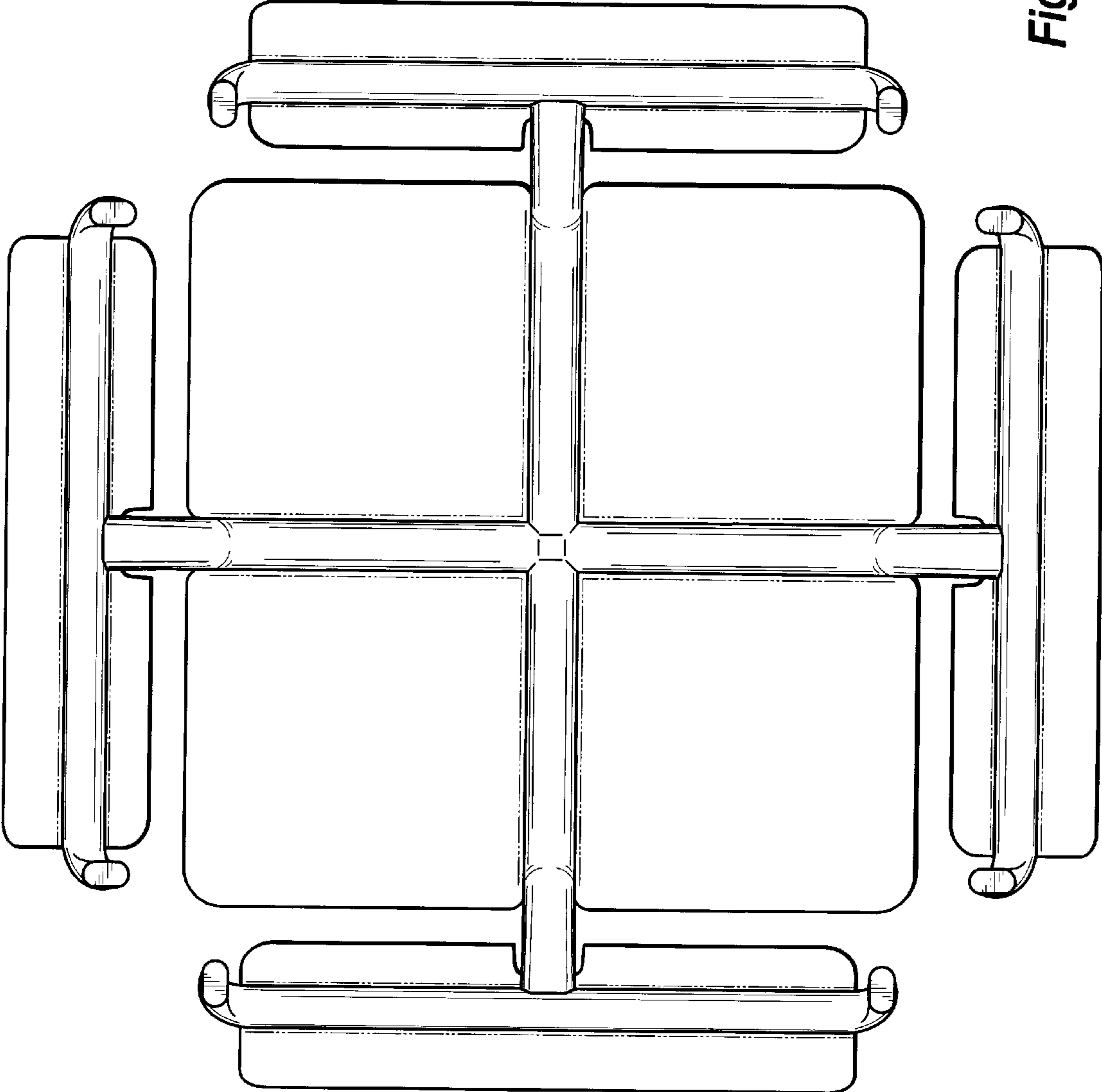


Fig. 4