



US00D511413S

(12) **United States Design Patent** (10) **Patent No.:** **US D511,413 S**
Yue (45) **Date of Patent:** **** Nov. 15, 2005**

- (54) **MIRROR BASE**
- (75) **Inventor:** **Brenda Po Kwan Yue, Kowloon (HK)**
- (73) **Assignee:** **Conair Corporation, Stamford, CT (US)**
- (**) **Term:** **14 Years**
- (21) **Appl. No.:** **29/217,230**
- (22) **Filed:** **Nov. 15, 2004**

Related U.S. Application Data

- (63) Continuation of application No. 29/189,717, filed on Sep. 10, 2003, now abandoned.
- (51) **LOC (8) Cl.** **06-07**
- (52) **U.S. Cl.** **D6/300; D6/495**
- (58) **Field of Search** **D6/300-303, 308-314, D6/444, 495, 486; 40/700, 711, 714-716, 721, 722, 735, 737, 745, 750, 765, 790, 798; 359/838, 871, 882, 872; D28/64.1, 64.3, 64.4, 64.6**

References Cited

U.S. PATENT DOCUMENTS

357,352 A	2/1887	Wiederer	
894,685 A	7/1908	McIsaac	
1,065,110 A	6/1913	Bustanoby	
D65,982 S	11/1924	Tompkins	
D80,595 S	2/1930	Becker	
2,165,683 A	7/1939	Storch	
2,190,677 A	2/1940	Potts	
D155,495 S	* 10/1949	Fitzgerald	D6/309
2,584,829 A	2/1952	Barnes	
2,597,905 A	5/1952	Steinen	
2,597,906 A	5/1952	Steinen	
D194,827 S	3/1963	Debeh	
D200,139 S	1/1965	O'Brien	
3,179,361 A	4/1965	O'Brien	
D209,437 S	11/1967	Rothman	
D218,421 S	* 8/1970	Crandall	D6/495
D218,422 S	* 8/1970	Crandall	D6/495
D243,301 S	2/1977	Ravn	
D243,478 S	2/1977	Jones	
D261,845 S	11/1981	Wachtel	

D268,443 S	3/1983	Brown	
D307,358 S	* 4/1990	Gerton	D6/302
D312,540 S	* 12/1990	Rosen	D6/486
D316,635 S	5/1991	Smith	
D335,580 S	5/1993	Gaullier	
D338,578 S	* 8/1993	Tihany	D6/486
5,309,657 A	* 5/1994	Spencer	40/473
5,359,461 A	10/1994	Rice et al.	
5,386,322 A	1/1995	Parsons	
D379,125 S	5/1997	Simjian	
5,654,824 A	8/1997	Tarr et al.	
D407,905 S	4/1999	Warshawsky	
D408,155 S	4/1999	Warshasky	
D425,313 S	5/2000	Zadro	
6,095,334 A	8/2000	Belveal et al.	
D431,375 S	10/2000	Zadro	
6,206,530 B1	3/2001	Eberts	
D442,371 S	5/2001	Eberts	
6,241,357 B1	6/2001	Lee	
6,305,809 B1	10/2001	Zadro	
2003/0076605 A1	4/2003	Shohet	

FOREIGN PATENT DOCUMENTS

GB 2246706 2/1992

* cited by examiner

Primary Examiner—Janice E. Seeger

(74) *Attorney, Agent, or Firm*—Ohlandt, Greeley, Ruggiero & Perle, L.L.P.

(57) **CLAIM**

The ornamental design for a mirror base, as shown and described.

DESCRIPTION

FIG. 1 is a first side view of a mirror base according to the present invention, the opposite side being symmetric therewith;

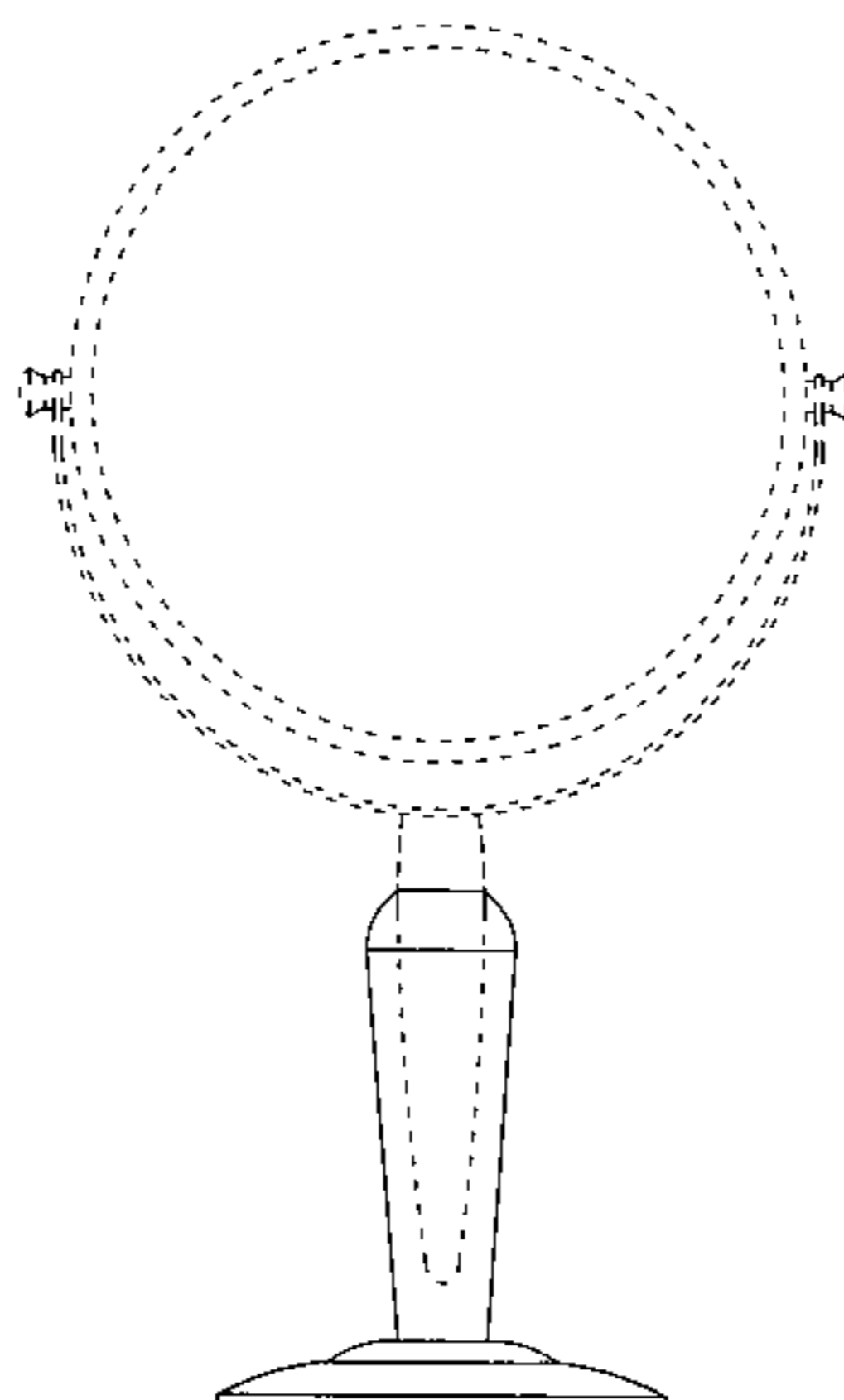
FIG. 2 is a second side view, rotated ninety degrees from the first side view, of the mirror base of FIG. 1, the opposite side being symmetric therewith;

FIG. 3 is a top view of the mirror base of FIG. 1; and,

FIG. 4 is a bottom view of the mirror base of FIG. 1.

The broken lines identify objects that form no part of the claimed design.

1 Claim, 3 Drawing Sheets



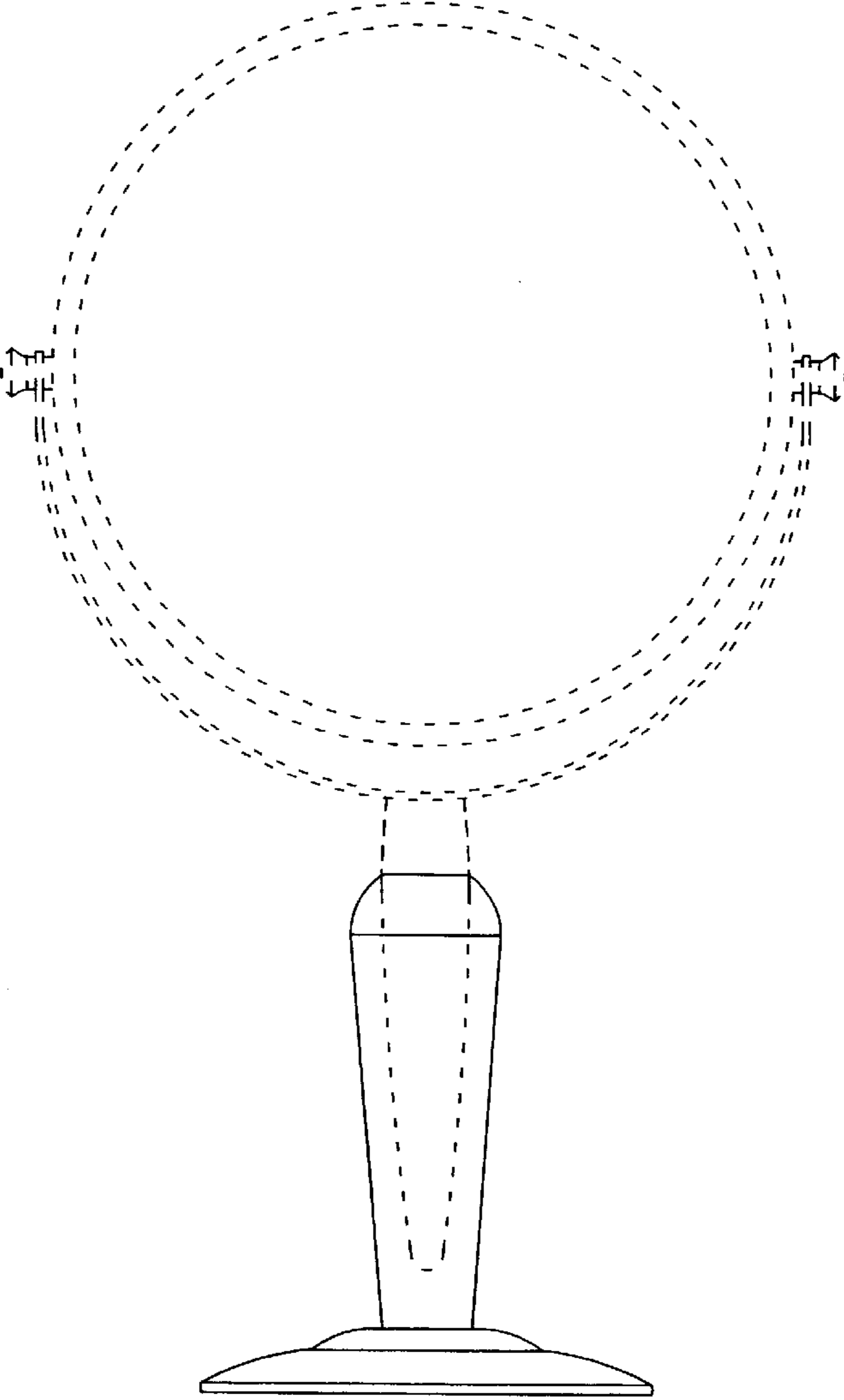


FIG. 1

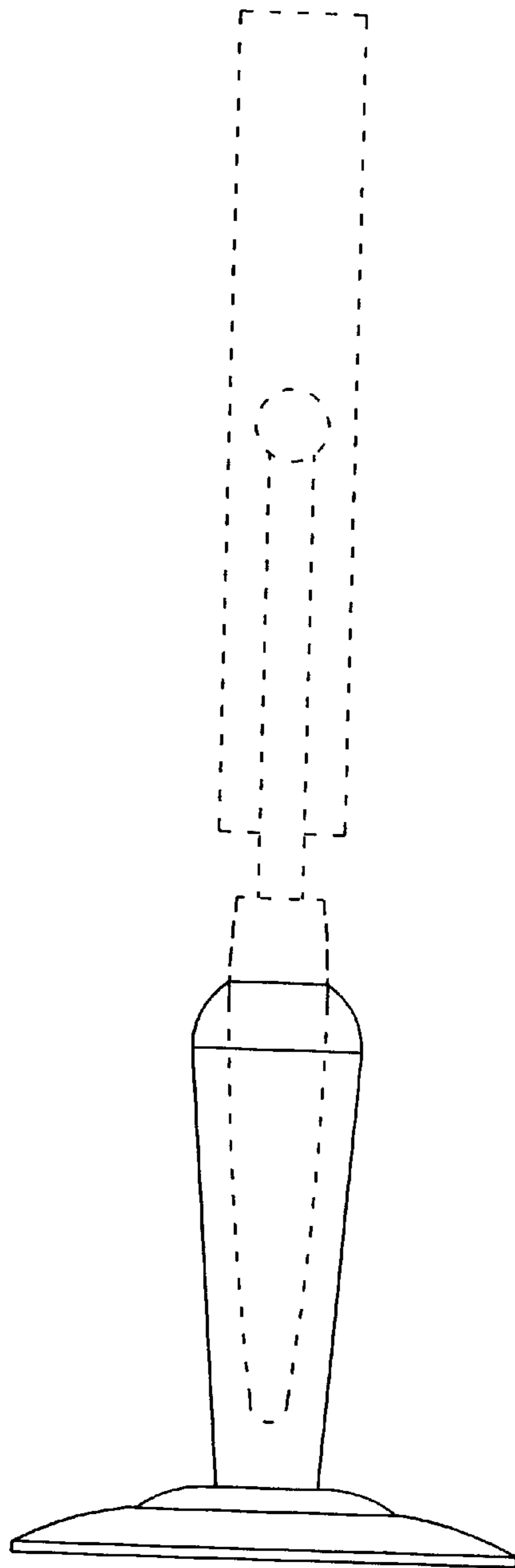


FIG. 2

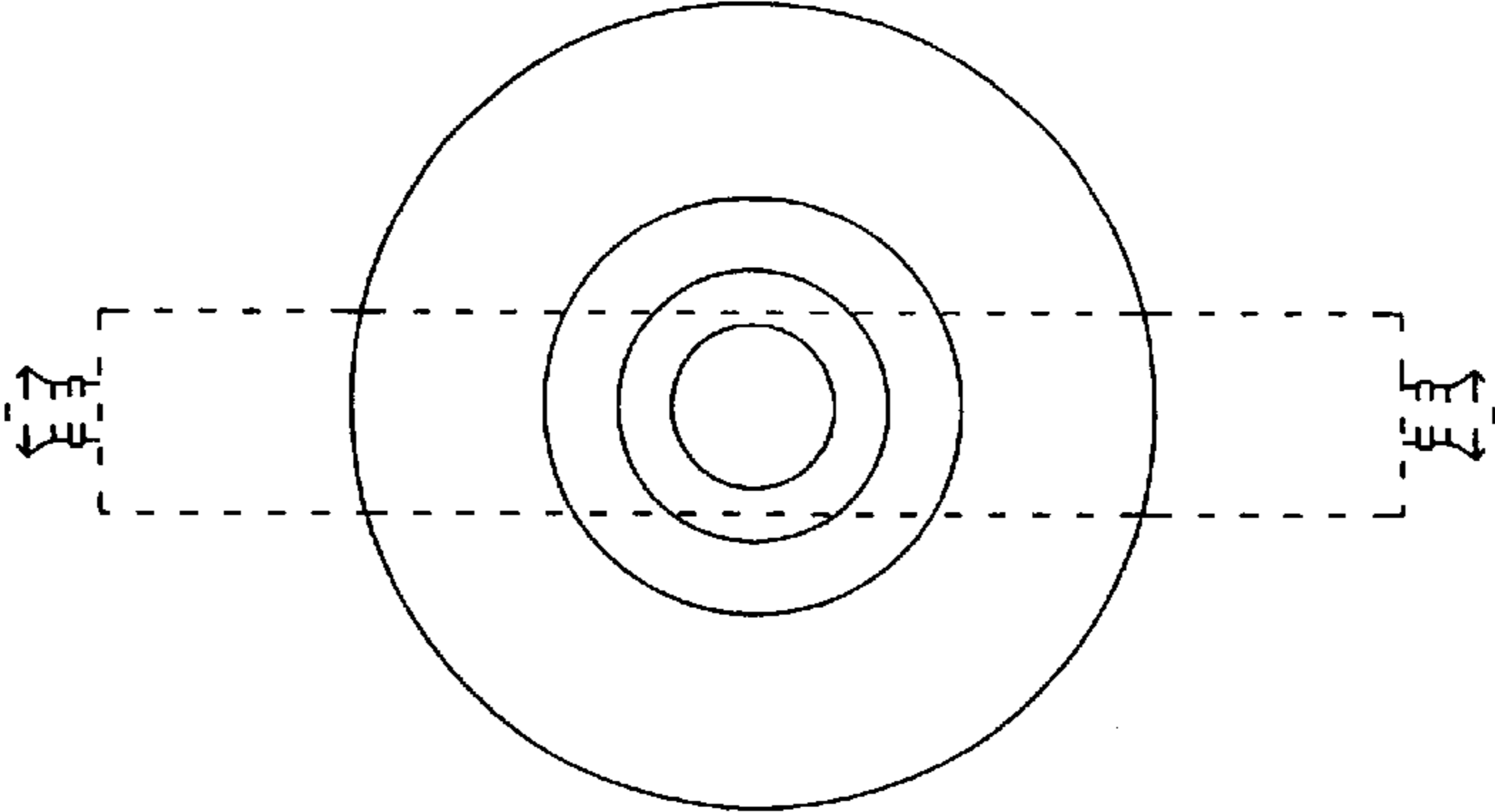


FIG. 3

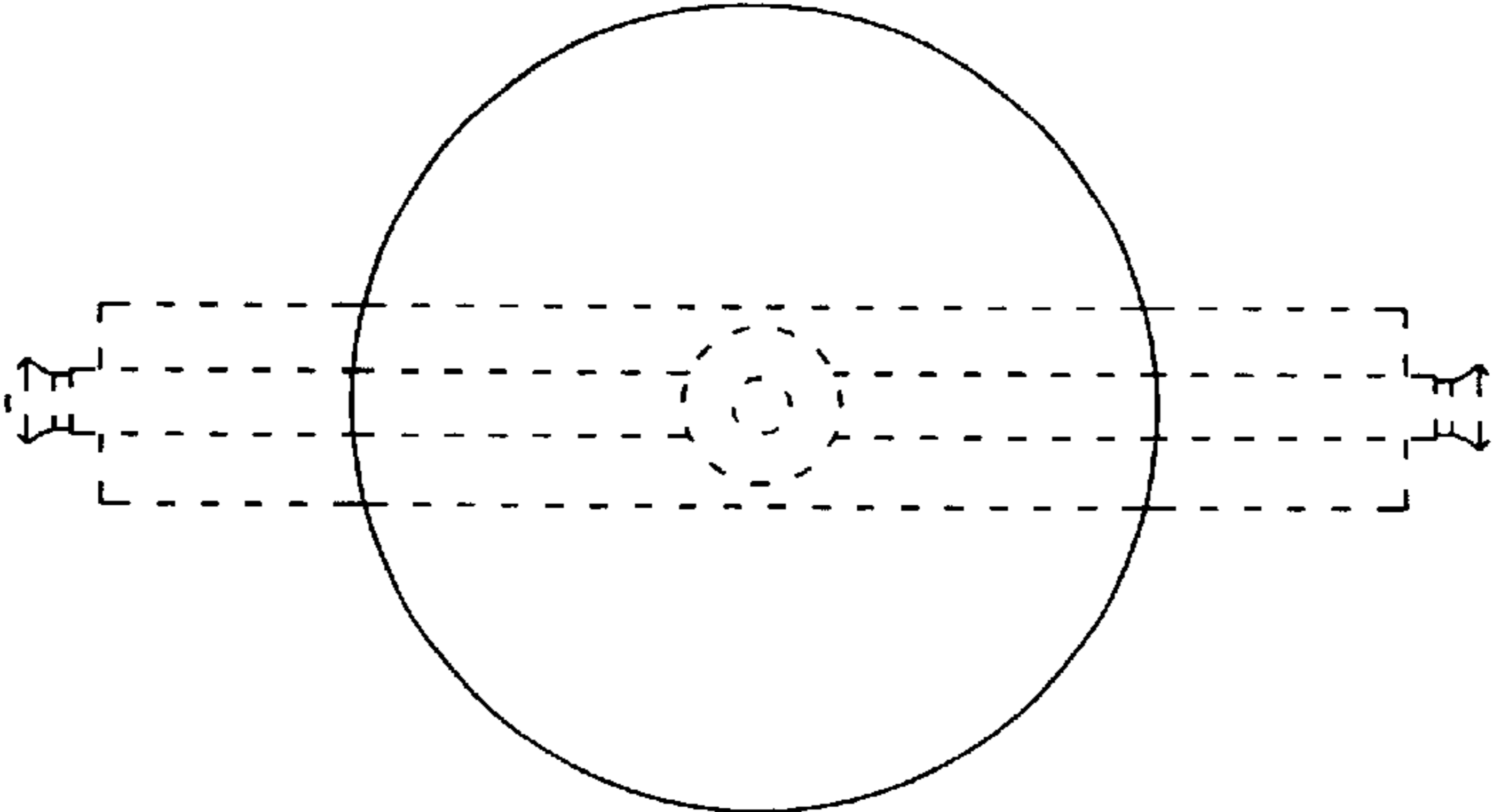


FIG. 4