



US00D511411S

(12) **United States Design Patent**  
**Weaver**

(10) **Patent No.:** **US D511,411 S**  
(45) **Date of Patent:** **\*\* Nov. 15, 2005**

- (54) **PUSHBROOM WITH SUPPORT BRACE**
- (75) **Inventor:** **Jace A. Weaver**, Gilbertsville, PA (US)
- (73) **Assignee:** **Quickie Manufacturing Corporation**, Cinnaminson, NJ (US)
- (\*\*) **Term:** **14 Years**

- (21) **Appl. No.:** **29/218,407**
- (22) **Filed:** **Dec. 2, 2004**

- (51) **LOC (8) Cl.** ..... **04-01**
- (52) **U.S. Cl.** ..... **D4/132**
- (58) **Field of Search** ..... D4/132, 199; D52/50, D52/51; 15/146, 159.1, 160, 171, 175, 176.1, 176.2, 191.1, 192, 193

(56) **References Cited**

**U.S. PATENT DOCUMENTS**

1,785,564	A	*	12/1930	Schweigert	.....	15/146	X
D140,238	S	*	2/1945	Bellstaedt	.....	D4/199	
D149,134	S	*	3/1948	Le Febure	.....	D4/132	
6,349,444	B1	*	2/2002	Sander	.....	15/146	

**FOREIGN PATENT DOCUMENTS**

JP			09010157	A	*	1/1997	.....	A47L/13/38
----	--	--	----------	---	---	--------	-------	------------

**OTHER PUBLICATIONS**

AU 138505 S Industrial Design Application (The Decor Corp Pty Ltd) Oct. 12, 1999, [online], [retrieved on Mar. 31, 2005] Retrieved from the Design Database of the Australian Government IP Australia using Internet <URL: <http://www.ipaustralia.gov.au>>.\*

\* cited by examiner

*Primary Examiner*—Alan P. Douglas  
*Assistant Examiner*—Lavone D. Tabor

(74) *Attorney, Agent, or Firm*—Stuart M. Goldstein

(57) **CLAIM**

The ornamental design for a pushbroom brace, as shown and described.

**DESCRIPTION**

FIG. 1 shows the front view of the pushbroom brace of the present invention.

FIG. 2 shows the rear view of the pushbroom brace of the present invention.

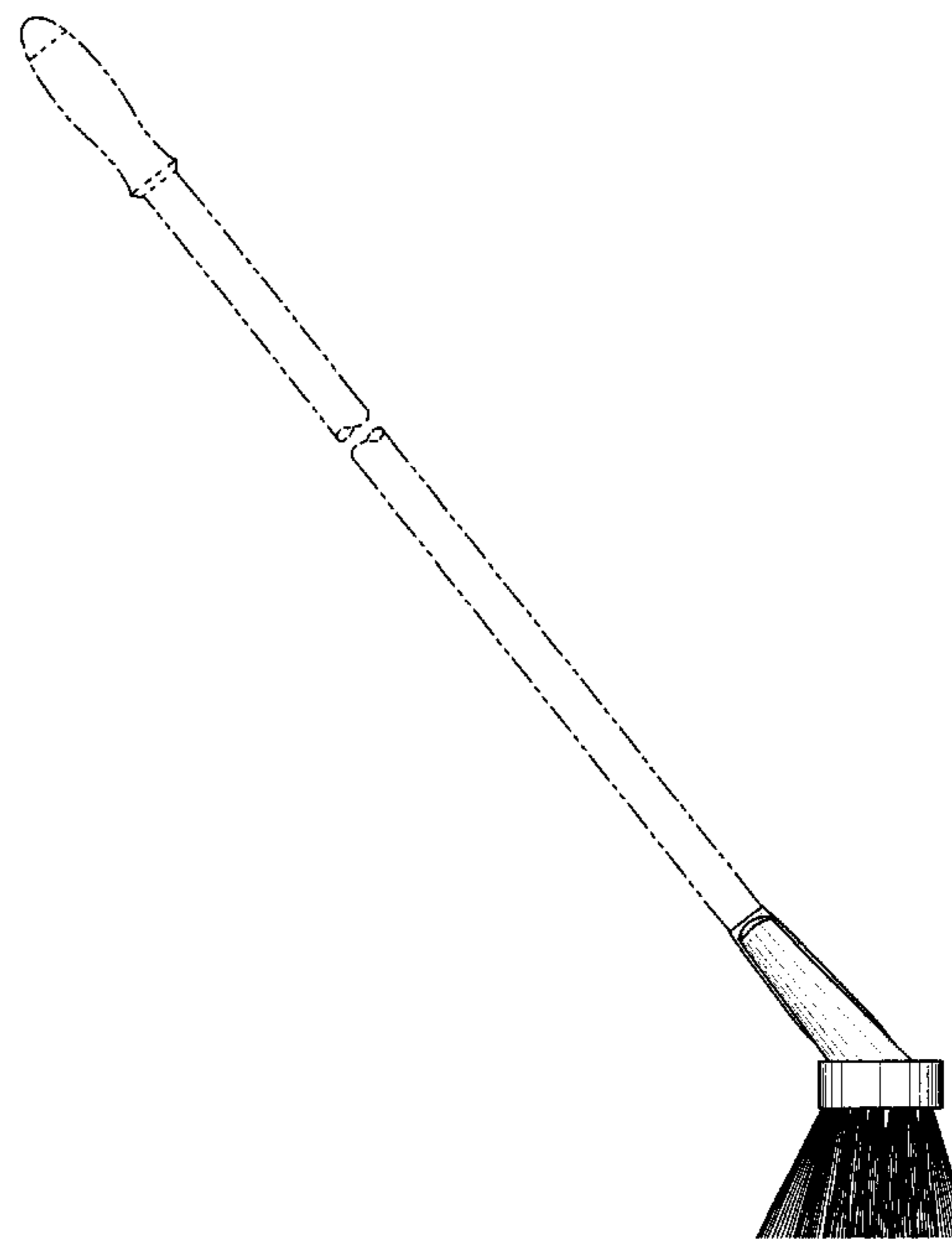
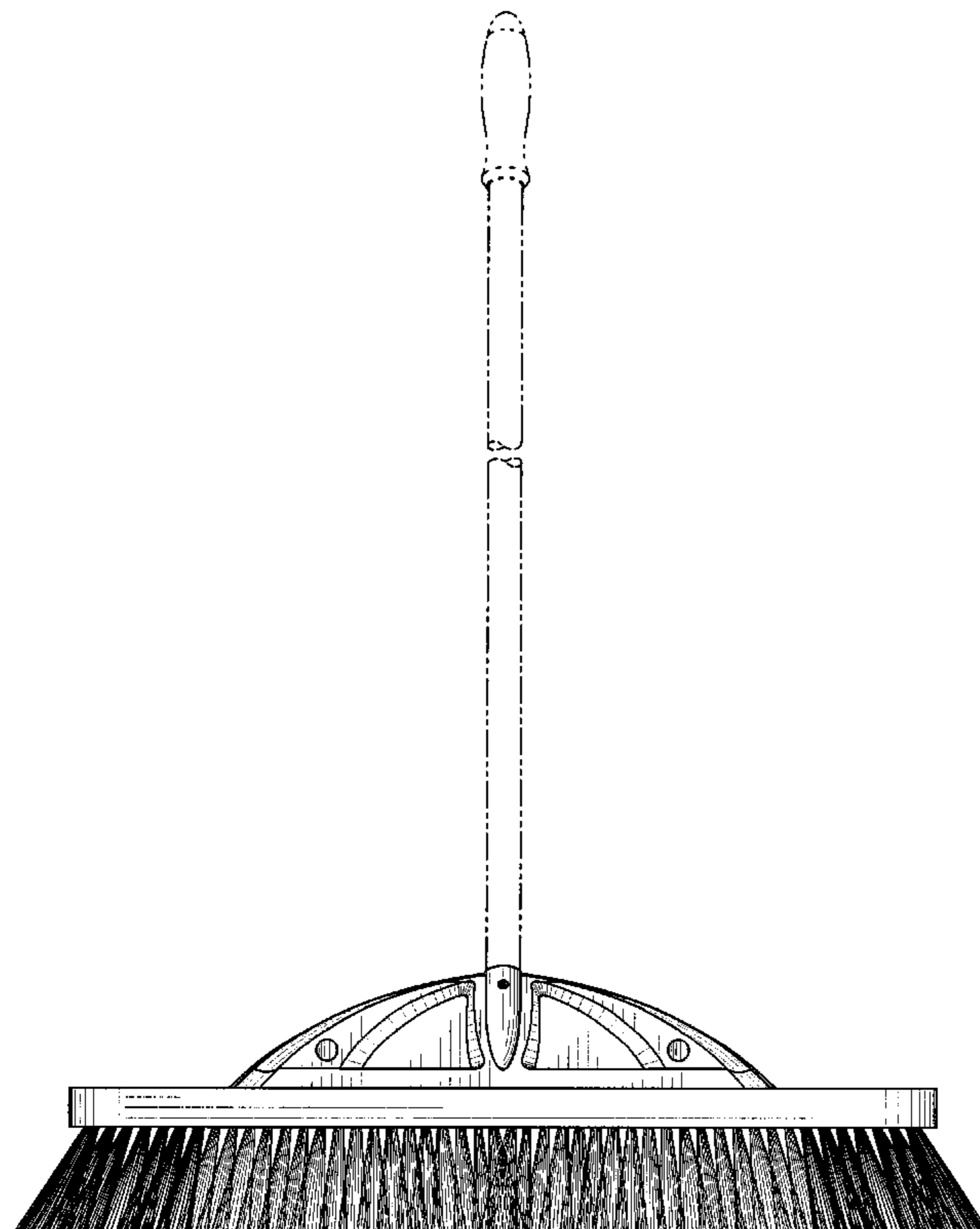
FIG. 3 shows the top view of the pushbroom brace of the present invention.

FIG. 4 shows the bottom view of the pushbroom brace of the present invention; and,

FIG. 5 shows a side view of the pushbroom with support brace of the present invention, the opposite side being a mirror image.

The broken lines showing a handle are for illustrative purposes only and form no part of the claimed design.

**1 Claim, 5 Drawing Sheets**



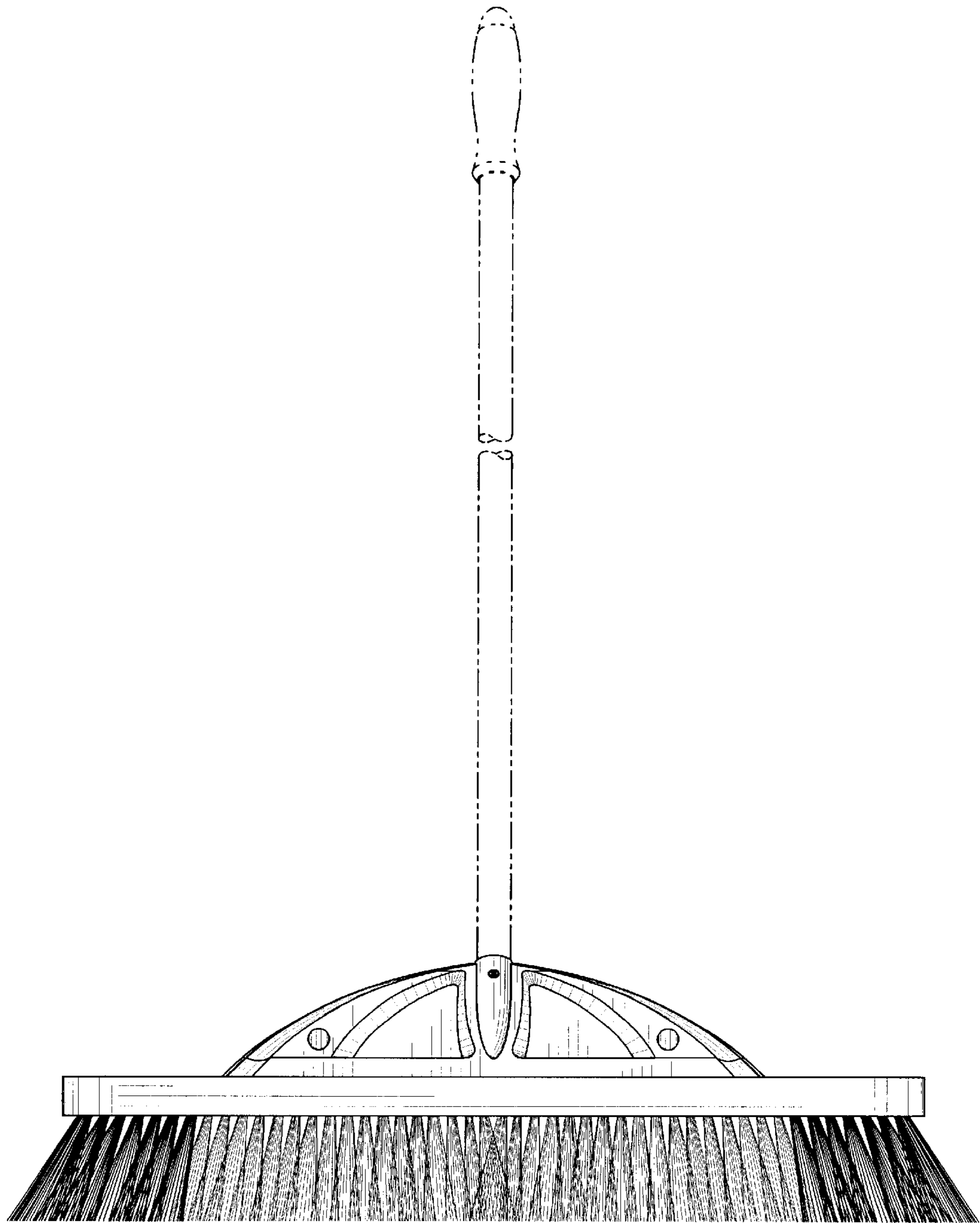


FIG. 1

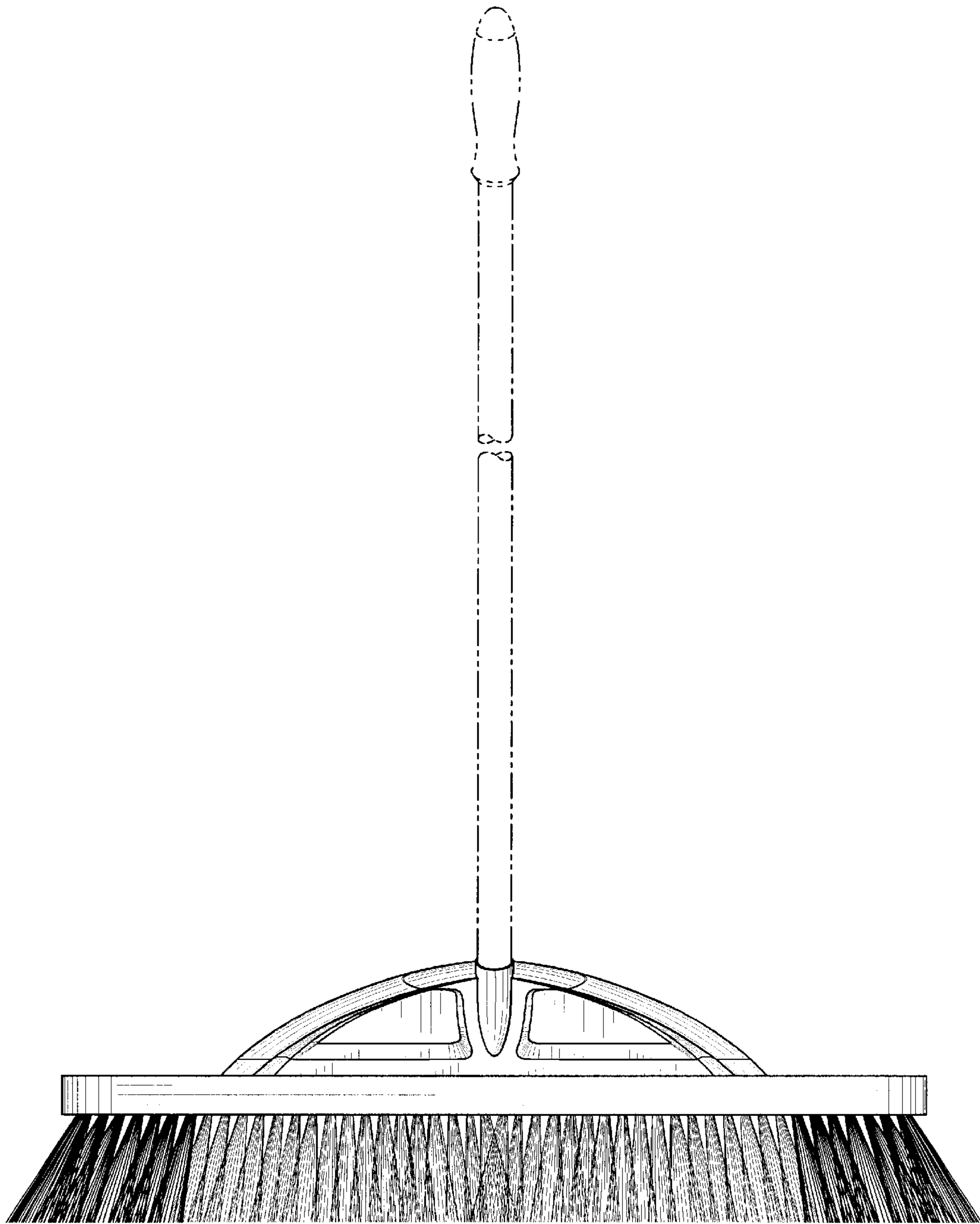


FIG. 2

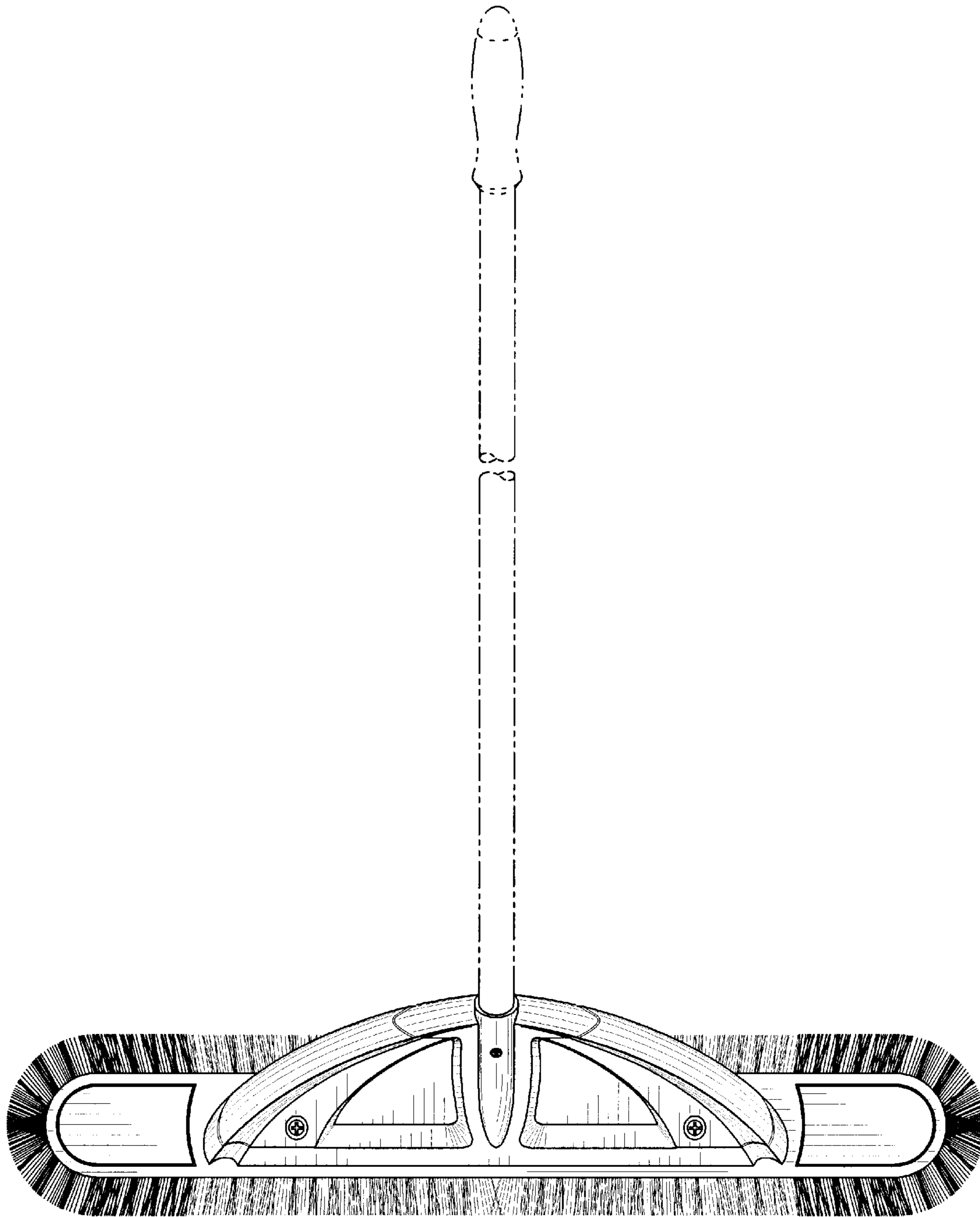


FIG. 3



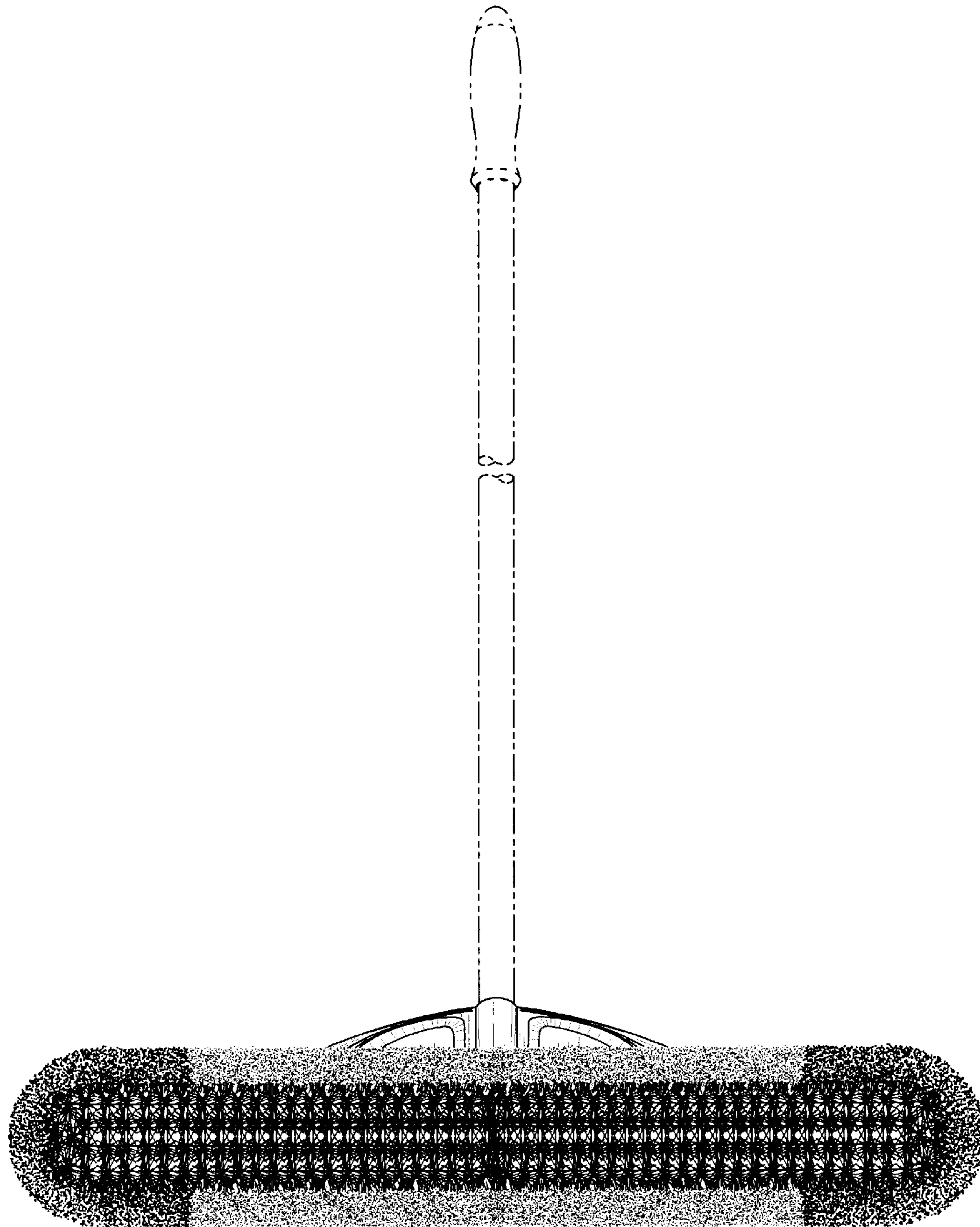


FIG. 4

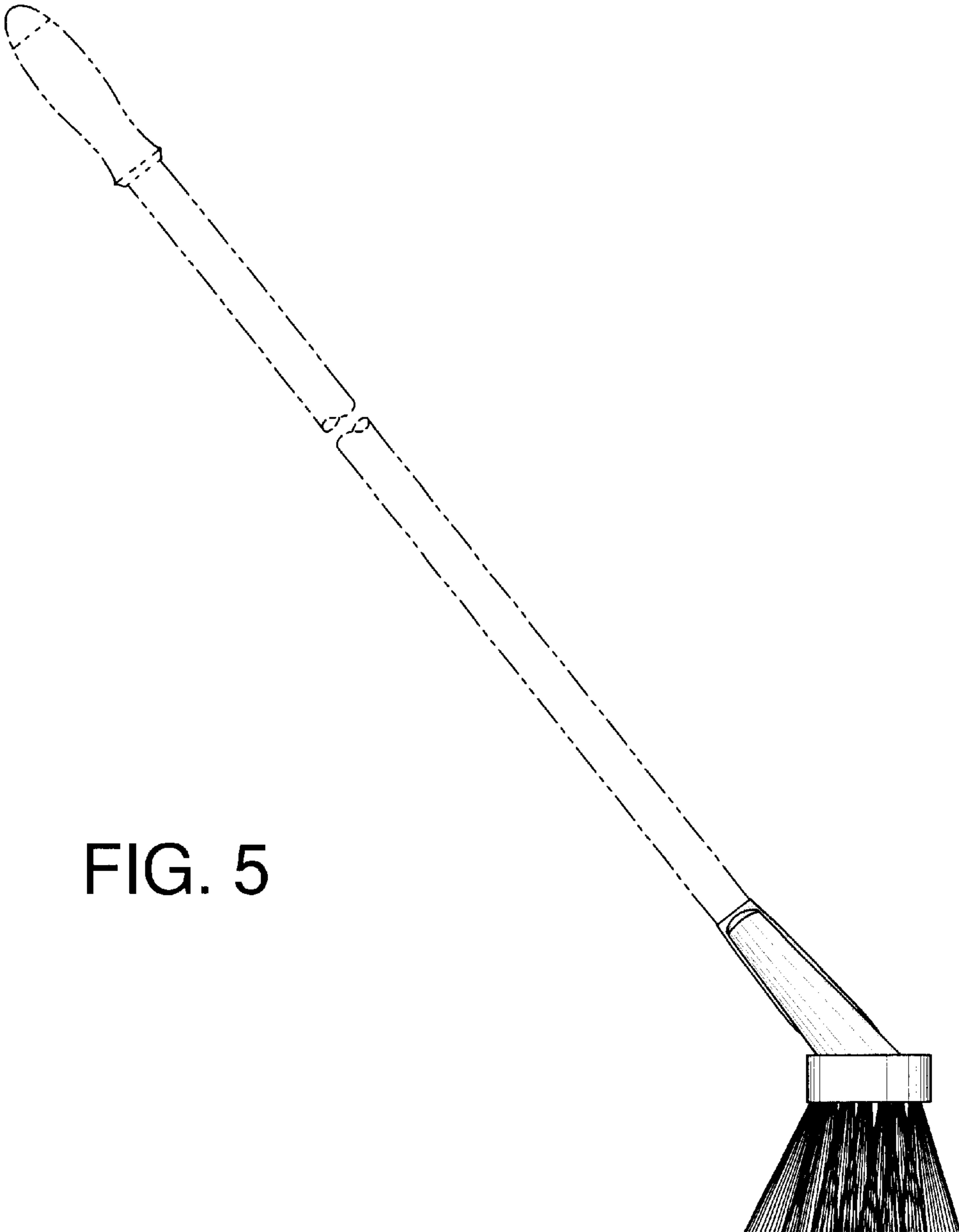


FIG. 5