

US00D511403S

(12) **United States Design Patent**
Ott et al.

(10) **Patent No.: US D511,403 S**

(45) **Date of Patent: ** *Nov. 8, 2005**

(54) **DISHWASHER**

(75) Inventors: **Thomas Ott**, Gundelfingen (DE);
Roland Vetter, Giengen-Sachsenhausen
(DE)

(73) Assignee: **LSH Basch und Siemens Hausgeräte
GmbH**, Munich (DE)

(*) Notice: This patent is subject to a terminal dis-
claimer.

(**) Term: **14 Years**

(21) Appl. No.: **29/182,516**

(22) Filed: **May 28, 2003**

(51) **LOC (8) Cl.** **15-05**

(52) **U.S. Cl.** **D32/3**

(58) **Field of Search** D32/1-3, 5, 6,
D32/8, 25, 28; D7/340, 405, 348-351;
68/212; 312/31, 228, 228.1, 204; 134/113,
201, 57 D, 57 DL, 56 D, 58 D, 58 DL

(56) **References Cited**

U.S. PATENT DOCUMENTS

D160,776 S * 11/1950 Desguin et al. D7/340
D320,489 S * 10/1991 Marks et al. D32/3

5,365,959 A * 11/1994 Favaro 134/113
D437,981 S * 2/2001 Jeong D32/2
D493,580 S * 7/2004 Ott et al. D32/3

* cited by examiner

Primary Examiner—Louis S. Zarfes

Assistant Examiner—John Windmuller

(74) *Attorney, Agent, or Firm*—John T. Winburn; Russell
W. Warnock; Craig J. Loest

(57) **CLAIM**

The ornamental design for a dishwasher, as shown and
described.

DESCRIPTION

FIG. 1 is a front perspective view of a dishwasher showing
our new design;

FIG. 2 is a left side elevational view thereof, the right side
elevational view being a mirror image thereof;

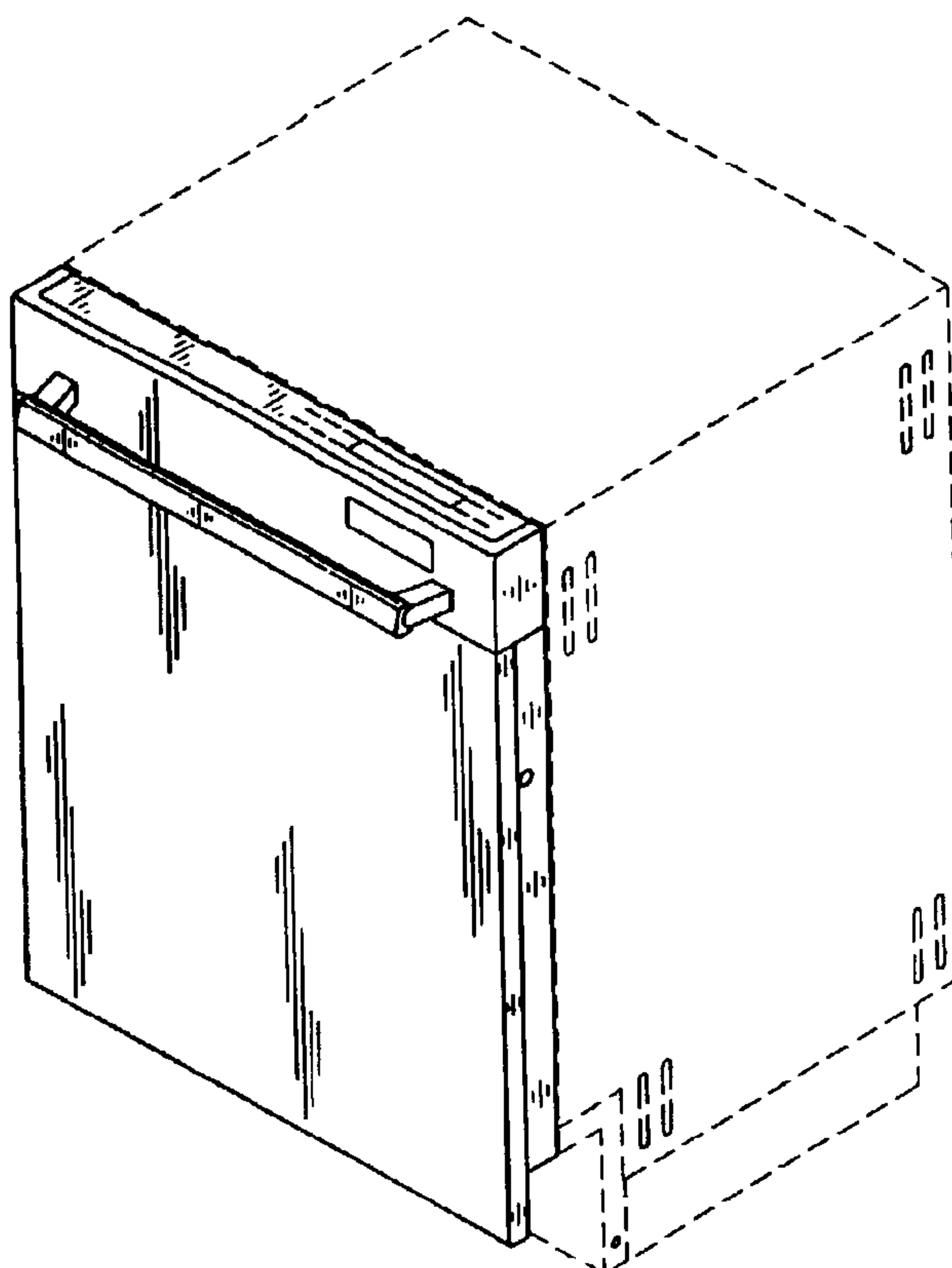
FIG. 3 is a front elevational view thereof; and,

FIG. 4 is a top plan view thereof.

The dishwasher includes a plain and unornamented rear and
bottom, which are not shown.

The broken line showing of portions of the dishwasher is for
illustrative purposes only and forms no part of the claimed
design.

1 Claim, 2 Drawing Sheets



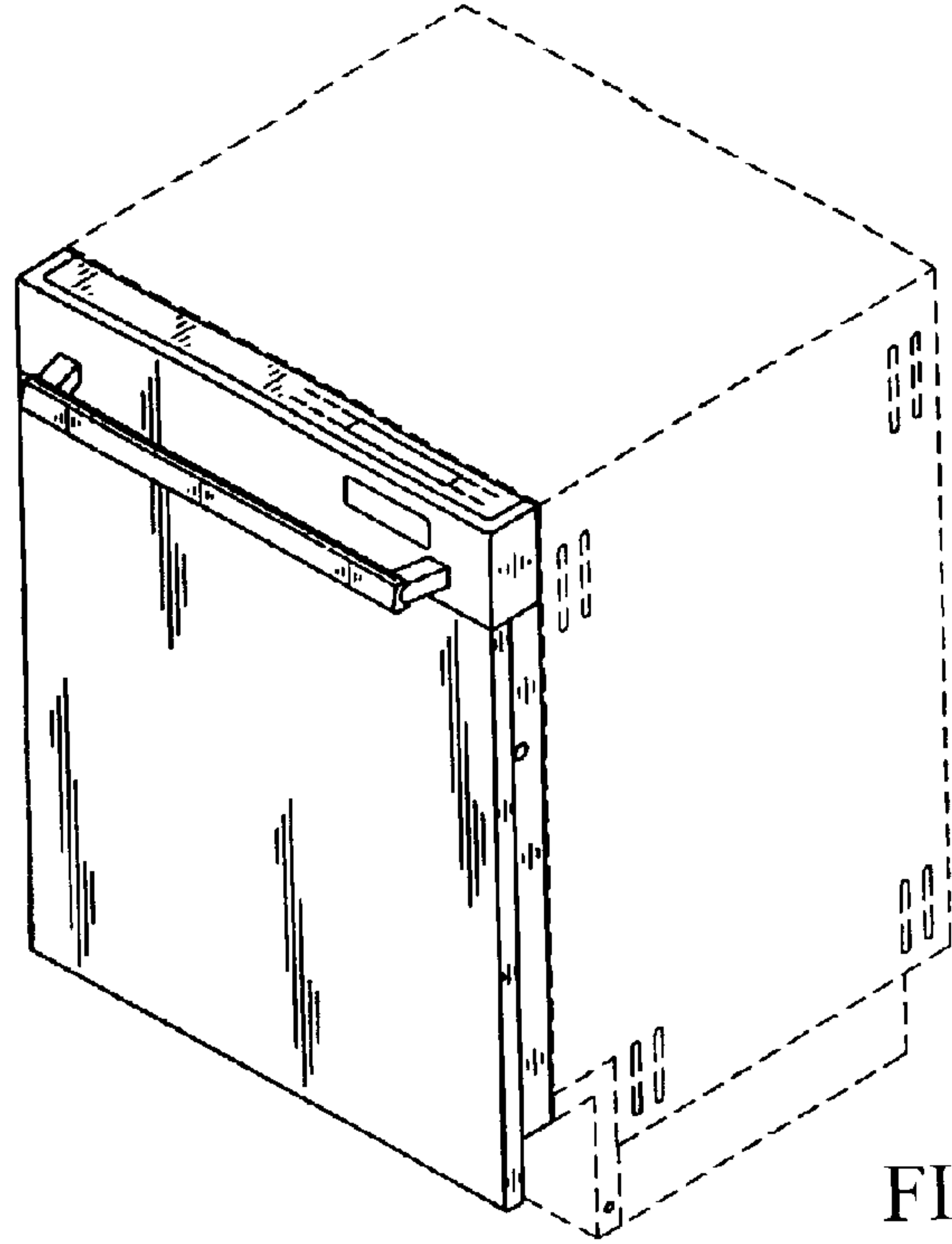


FIG. 1

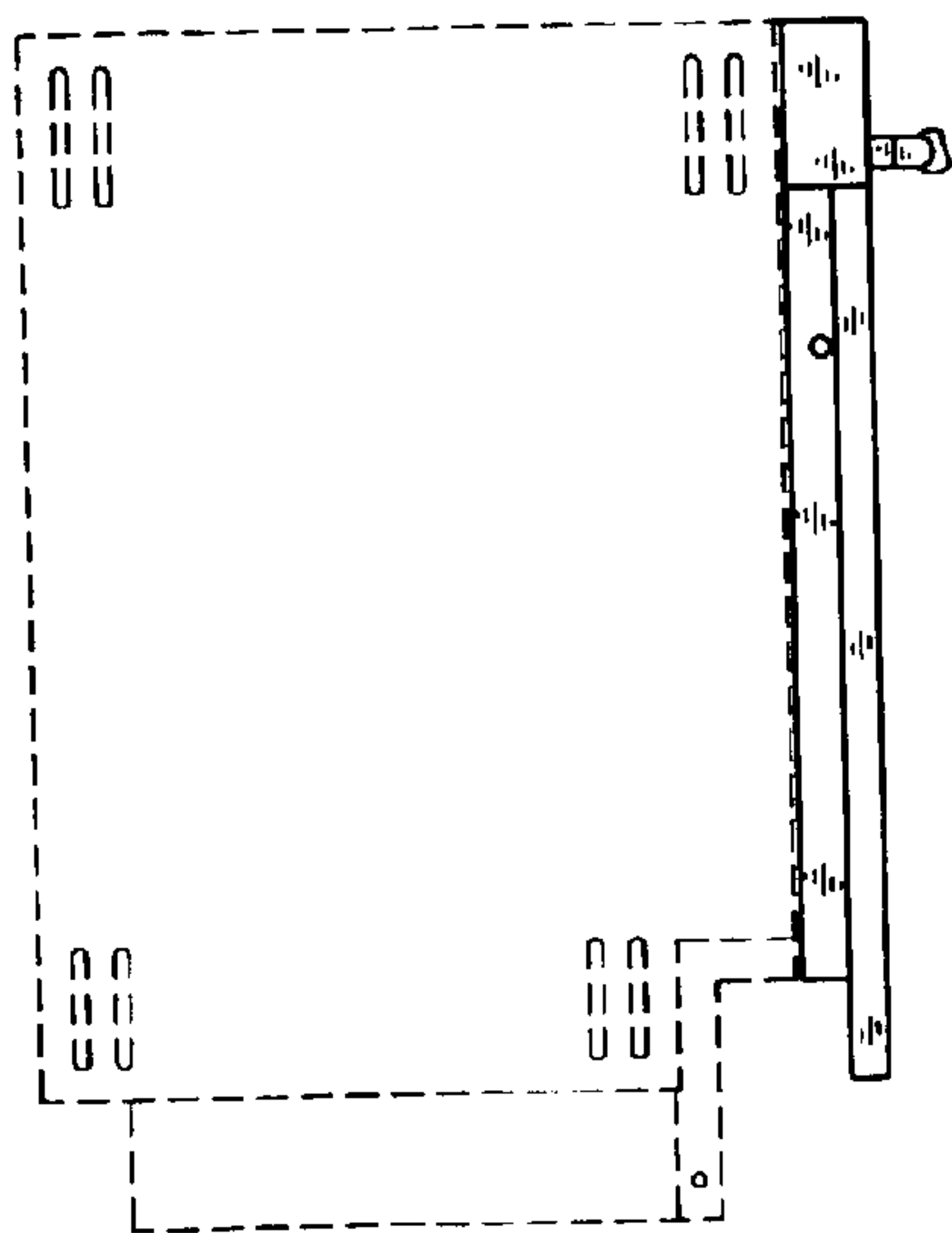


FIG. 2

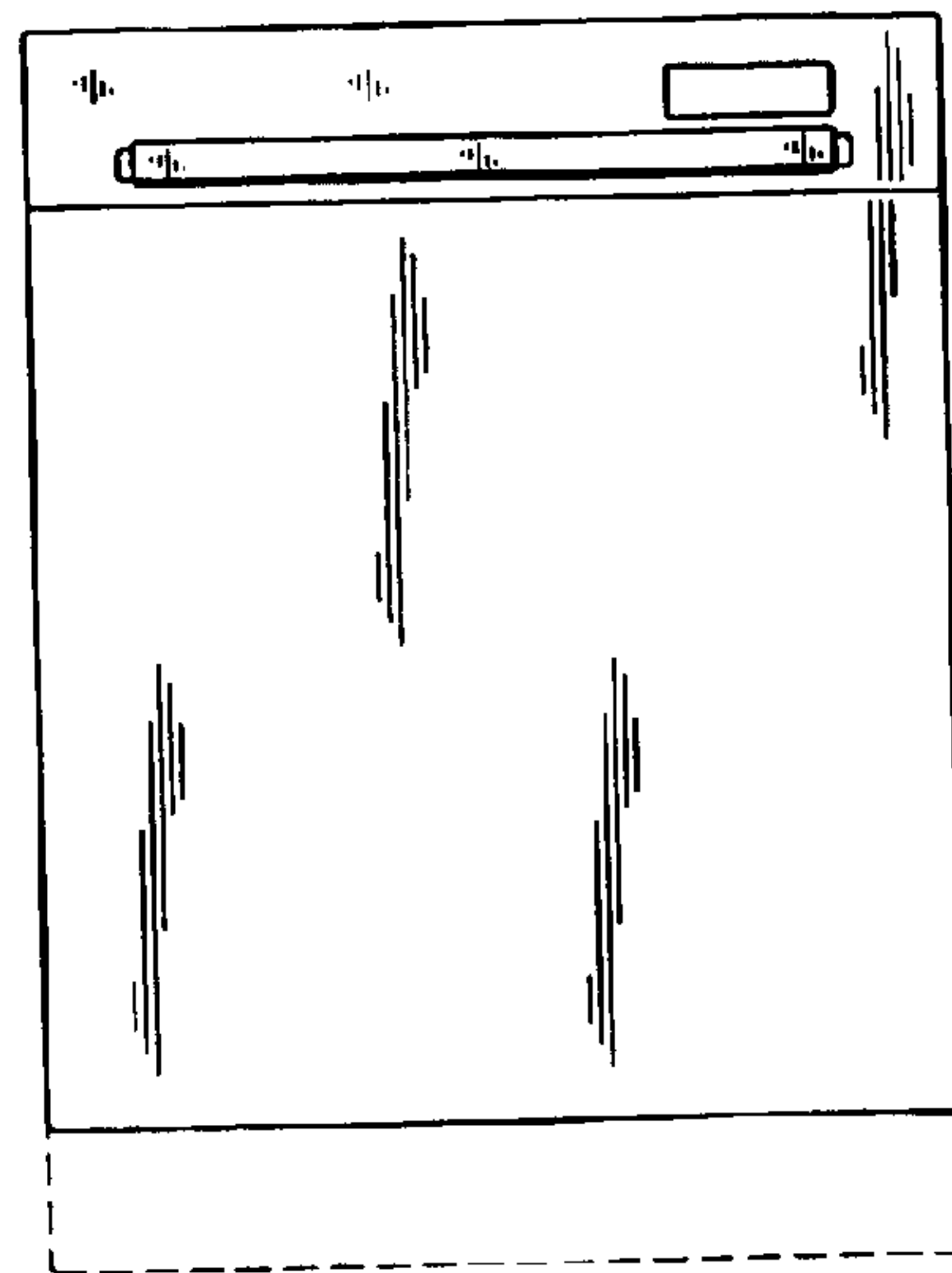


FIG. 3

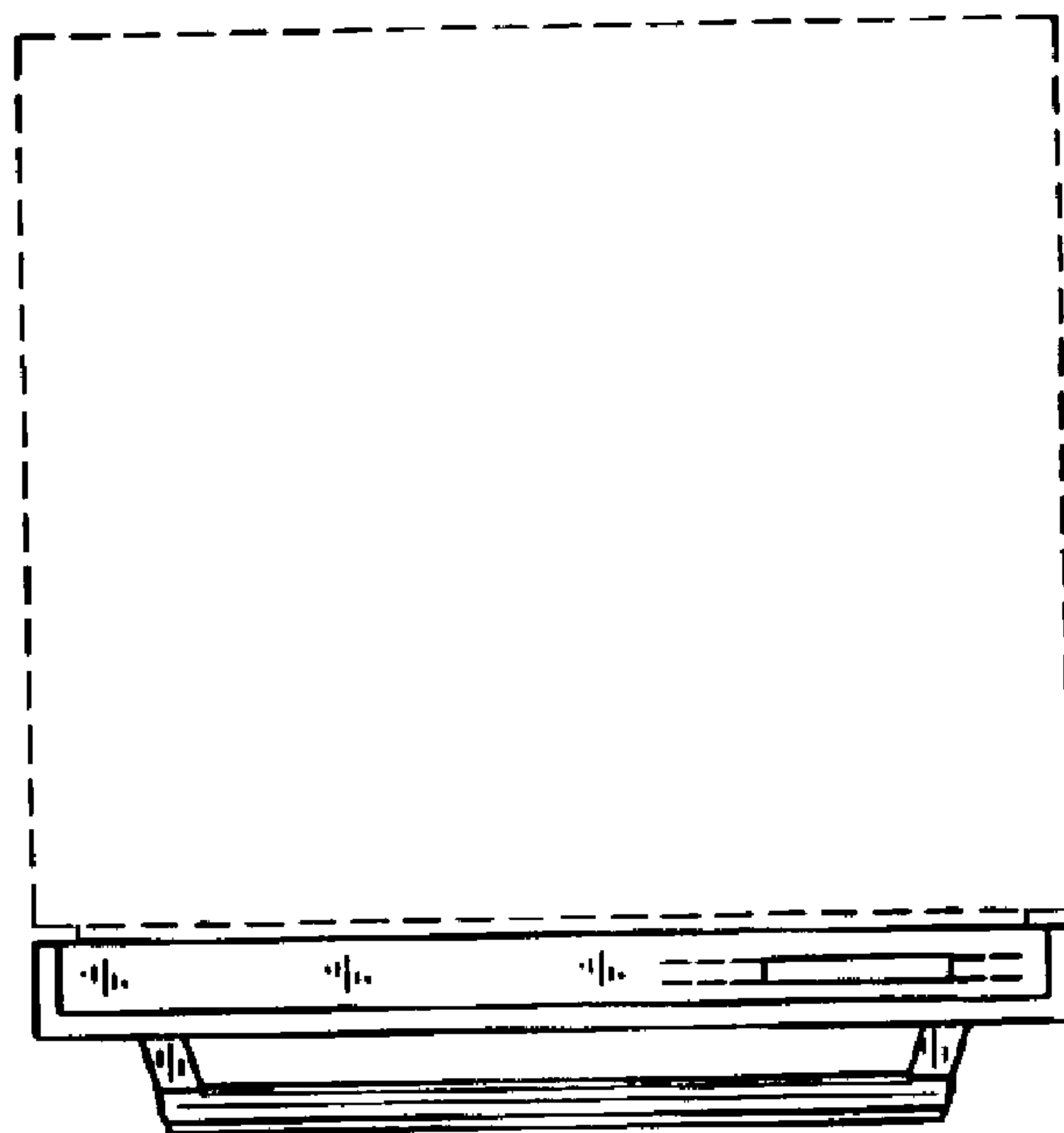


FIG. 4

UNITED STATES PATENT AND TRADEMARK OFFICE
CERTIFICATE OF CORRECTION

PATENT NO. : Des. 511,403 S
DATED : November 8, 2005
INVENTOR(S) : Ott et al.

Page 1 of 1

It is certified that error appears in the above-identified patent and that said Letters Patent is hereby corrected as shown below:

Title page.

Item [73], Assignee, should read -- **BSH Bosch und Siemens Hausgeräte GmbH,**
Munich (DE) --.

Signed and Sealed this

Ninth Day of May, 2006

A handwritten signature in black ink on a light gray dotted background. The signature reads "Jon W. Dudas" in a cursive style.

JON W. DUDAS

Director of the United States Patent and Trademark Office