

US00D511402S

(12) **United States Design Patent** (10) **Patent No.:** **US D511,402 S**  
**McEvoy Sherman** (45) **Date of Patent:** **\*\* Nov. 8, 2005**

(54) **MESH BAG INSERT FOR MAKE-UP PLANNER**

(75) **Inventor:** **Patricia McEvoy Sherman**, New York, NY (US)

(73) **Assignee:** **Trish McEvoy, LTD**, New York, NY (US)

(\*\*) **Term:** **14 Years**

(21) **Appl. No.:** **29/157,885**

(22) **Filed:** **Mar. 26, 2002**

(51) **LOC (8) Cl.** ..... **28-03**

(52) **U.S. Cl.** ..... **D28/76**

(58) **Field of Search** ..... D3/201, 205, 319, D3/901; D28/73, 76, 77, 83, 84; 150/106, 113; 190/901; 206/425, 472, 473, 581, 772, 823; 220/DIG. 26; 203/65; 402/70, 79, 80 R; D19/27, 32, 33; 182/307

(56) **References Cited**

**U.S. PATENT DOCUMENTS**

1,923,071 A	*	8/1933	Blom	.....	132/304
3,351,064 A	*	11/1967	Cohn	.....	D19/27
5,393,158 A	*	2/1995	Dall'Arancio	.....	402/79
6,004,060 A	*	12/1999	Bedol	.....	402/79
6,155,738 A	*	12/2000	King	.....	402/79
D482,162 S	*	11/2003	Bostroem	.....	D28/77

**OTHER PUBLICATIONS**

\*Cited U.S. Appl. No. D482,162, was filed Dec. 6, 2001, before the filing of this application.\*

\* cited by examiner

*Primary Examiner*—Louis S. Zarfes

*Assistant Examiner*—Monica A. Weingart

(74) *Attorney, Agent, or Firm*—Buckley, Maschoff & Talwalkar LLC

(57) **CLAIM**

The ornamental design for a mesh bag insert for a make-up planner, as shown in the figures.

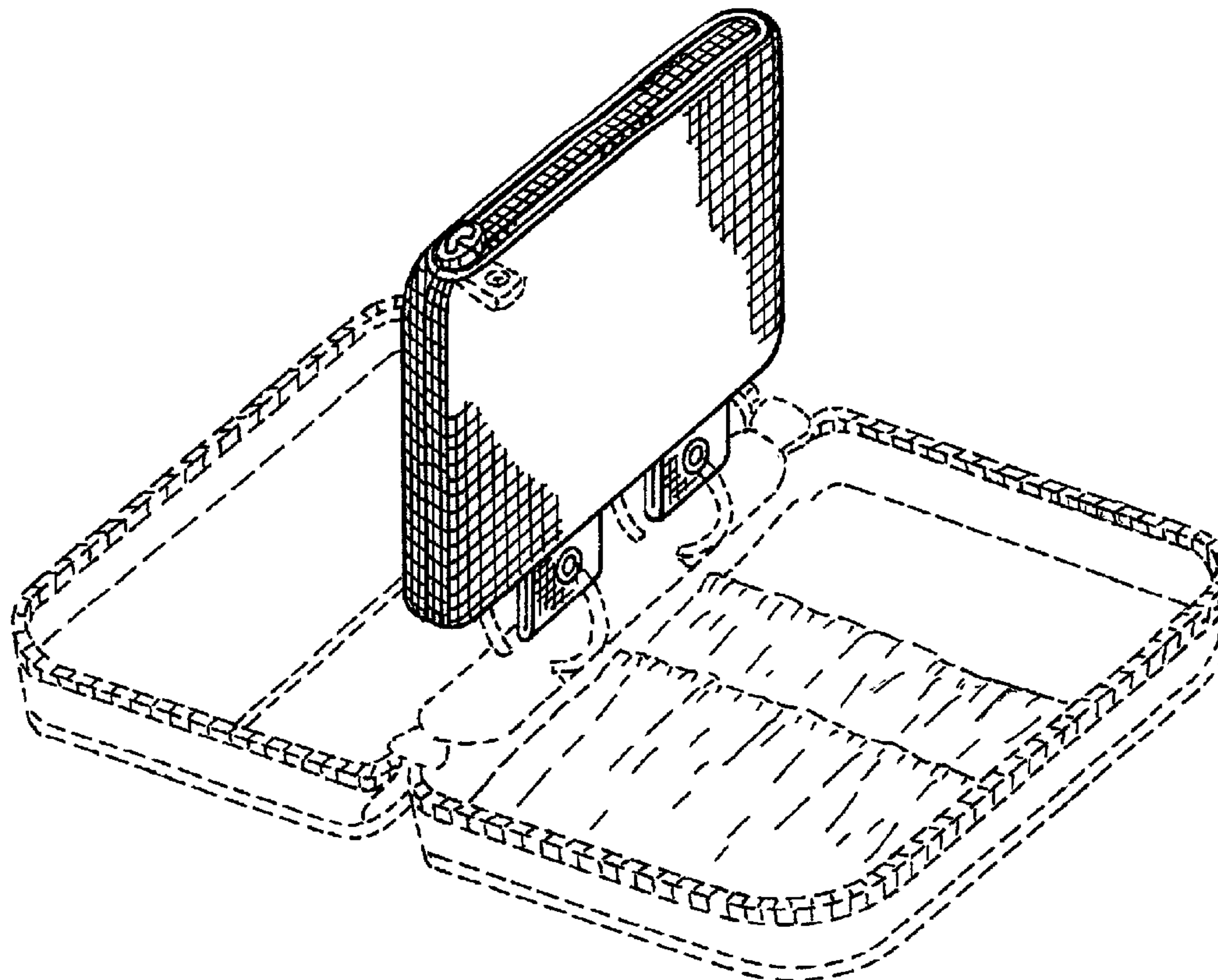
**DESCRIPTION**

FIG. 1 is a right side elevational view of a mesh bag insert for a make-up planner showing my new design; FIG. 2 is a top plan view of the insert of FIG. 1; FIG. 3 is a left side plan view of the insert of FIG. 1; and, FIG. 4 is a rear elevational view of the insert of FIG. 1.

The mesh pattern is continuous across the surface of the mesh bag insert for make-up planner.

The broken line showing of the zippered binder, in FIGS. 1-4, and a zipper pull, in FIGS. 1, 2, and 4, are for illustrative purposes only and form no part of the claimed design.

**1 Claim, 2 Drawing Sheets**



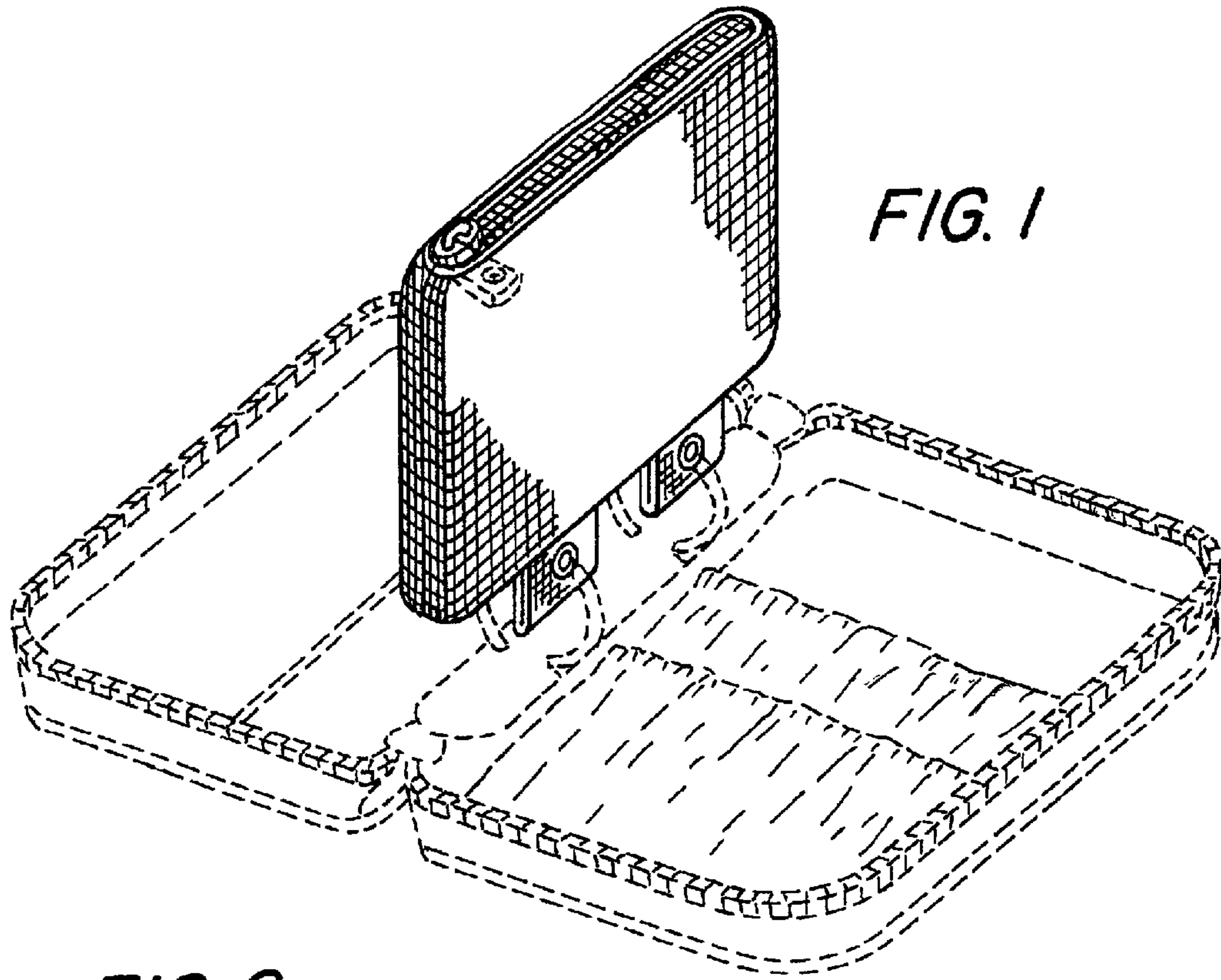


FIG. 1

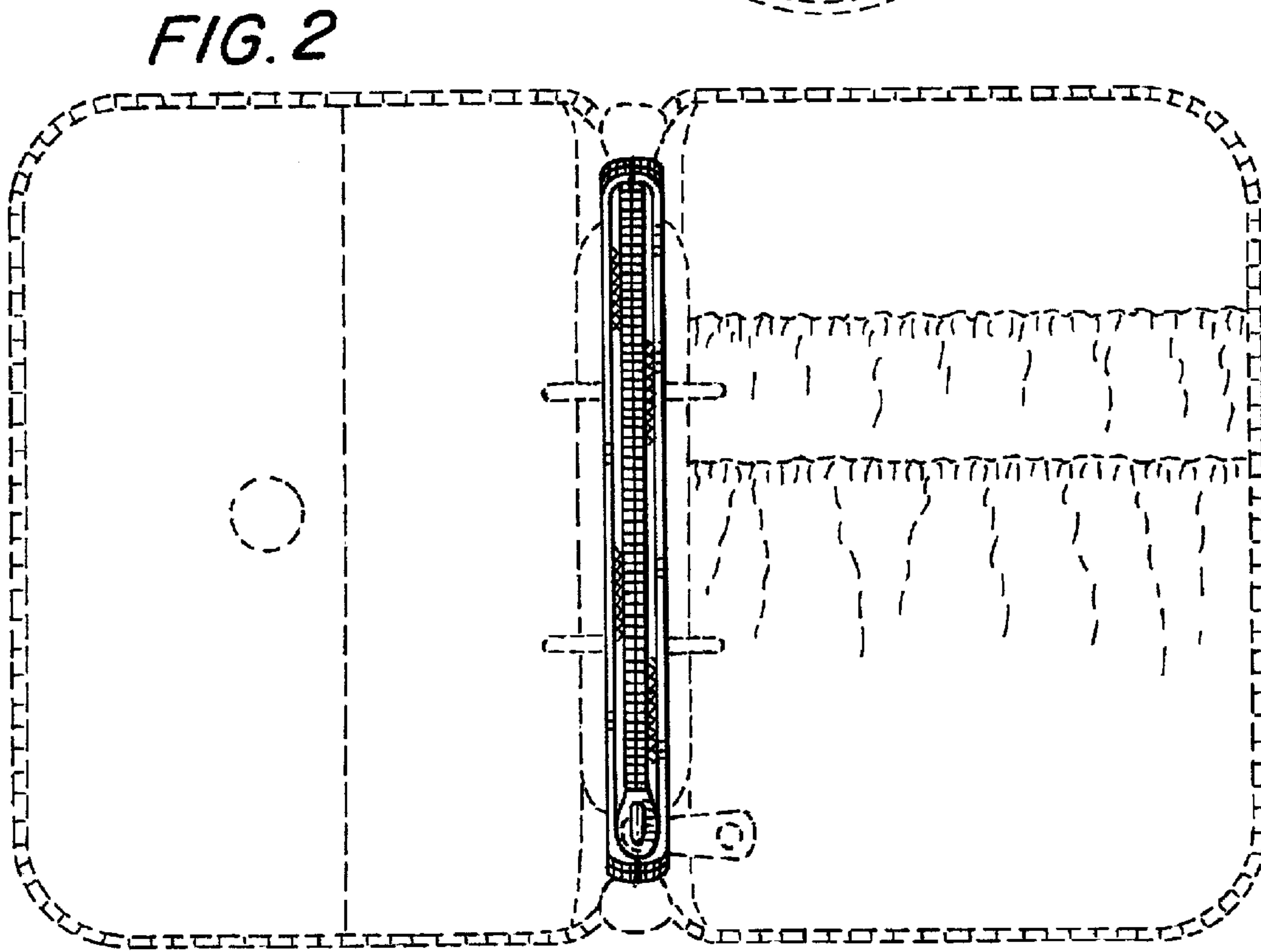
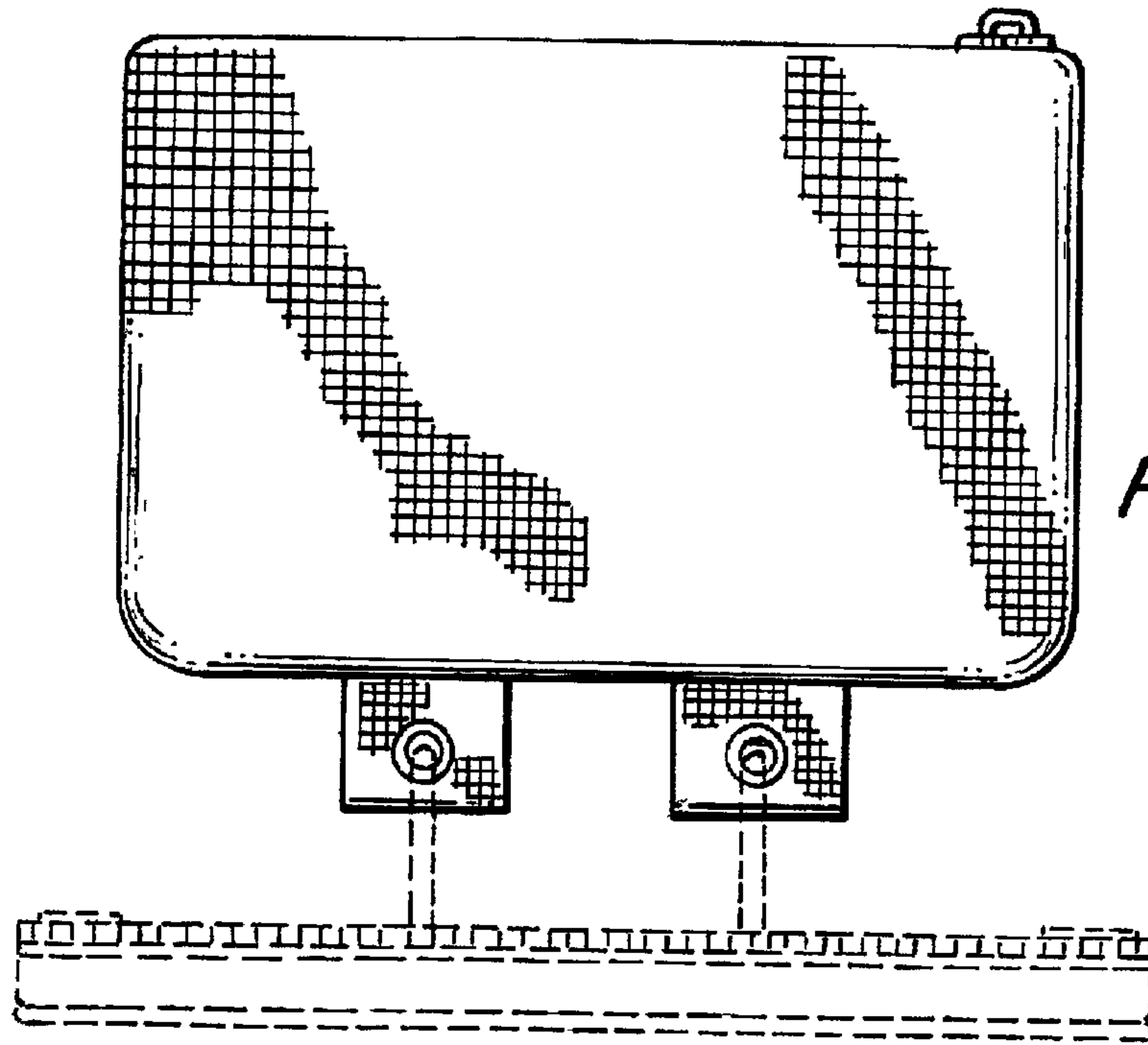
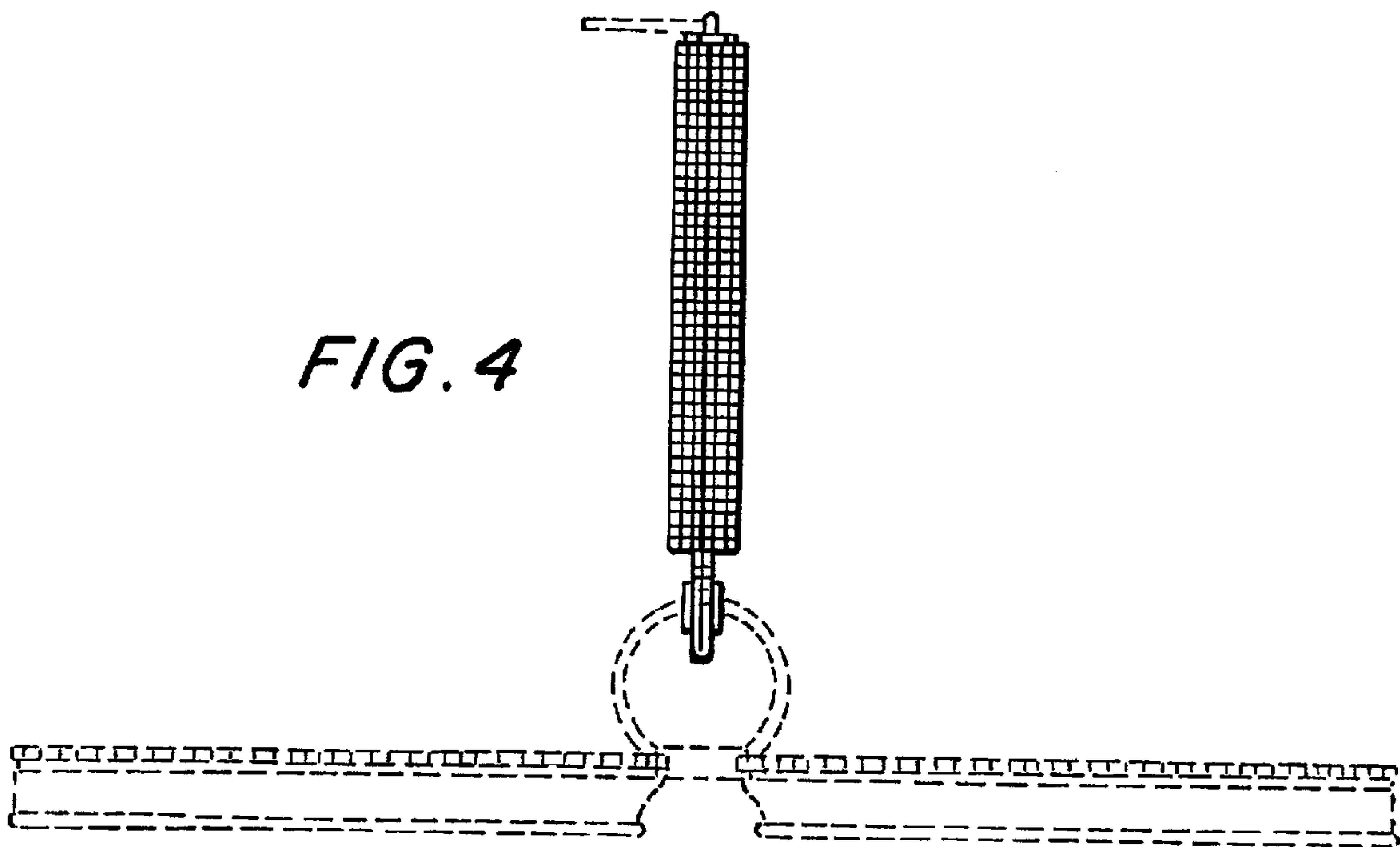


FIG. 2



*FIG. 3*



*FIG. 4*