



US00D511398S

(12) **United States Design Patent**
Nishizawa

(10) **Patent No.:** **US D511,398 S**
(45) **Date of Patent:** **** Nov. 8, 2005**

(54) **ELECTRIC SHAVER**

2005/0016002 A1 * 1/2005 Fukutani et al. 30/527

(75) **Inventor:** **Tsuyoshi Nishizawa, Yokohama (JP)**

FOREIGN PATENT DOCUMENTS

(73) **Assignee:** **Matsushita Electric Works, Ltd.,
Osaka (JP)**

JP 1190080 9/2003
KR 30-0300464 6/2002

(**) **Term:** **14 Years**

* cited by examiner

(21) **Appl. No.:** **29/218,204**

Primary Examiner—Jennifer Rivard
(74) *Attorney, Agent, or Firm*—J.C. Patents

(22) **Filed:** **Nov. 29, 2004**

(57) **CLAIM**

(30) **Foreign Application Priority Data**

The ornamental design for an electric shaver, as shown and described.

May 31, 2004 (JP) 2004-016101

DESCRIPTION

(51) **LOC (8) Cl.** **28-03**

FIG. 1 is a front view of an electric shaver showing the new design.

(52) **U.S. Cl.** **D28/49**

FIG. 2 is a rear view thereof.

(58) **Field of Search** D28/49-54; 30/32,

FIG. 3 is a left side view thereof.

30/34.05, 34.1, 34.2, 35, 41.9, 43, 43.1-43.9,
43.91, 43.92, 42, 44-46, 527

FIG. 4 is a right side view thereof.

(56) **References Cited**

FIG. 5 is an enlarged top plan view thereof.

U.S. PATENT DOCUMENTS

FIG. 6 is an enlarged bottom plan view thereof.

D377,847 S * 2/1997 Sulik D28/49

FIG. 7 is a perspective view thereof.

D441,912 S * 5/2001 Micinilio D28/51

FIG. 8 is a cross-sectional view taken along line 8-8 in

D479,360 S 9/2003 Nishizawa et al. D28/49

FIG. 1 with the internal parts omitted; and,

D481,491 S * 10/2003 Nishizawa et al. D28/49

FIG. 9 is an enlarged end elevational view taken along line

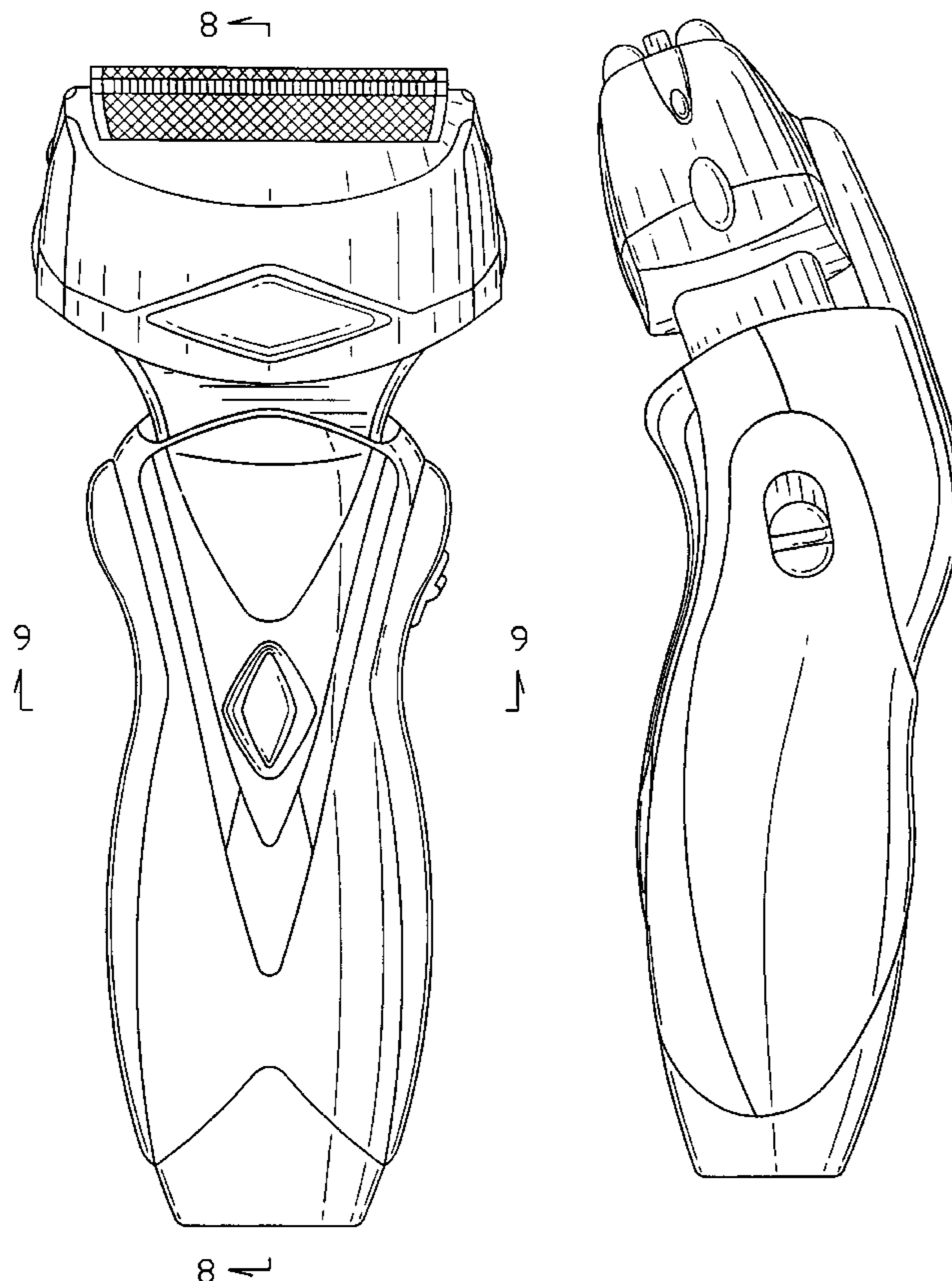
D495,832 S * 9/2004 Maeda D28/51

9-9 in FIG. 1 with the internal parts omitted.

2004/0163257 A1 * 8/2004 Morisugi et al. 30/34.1

1 Claim, 8 Drawing Sheets

2004/0231160 A1 * 11/2004 Shiba et al. 30/43.92



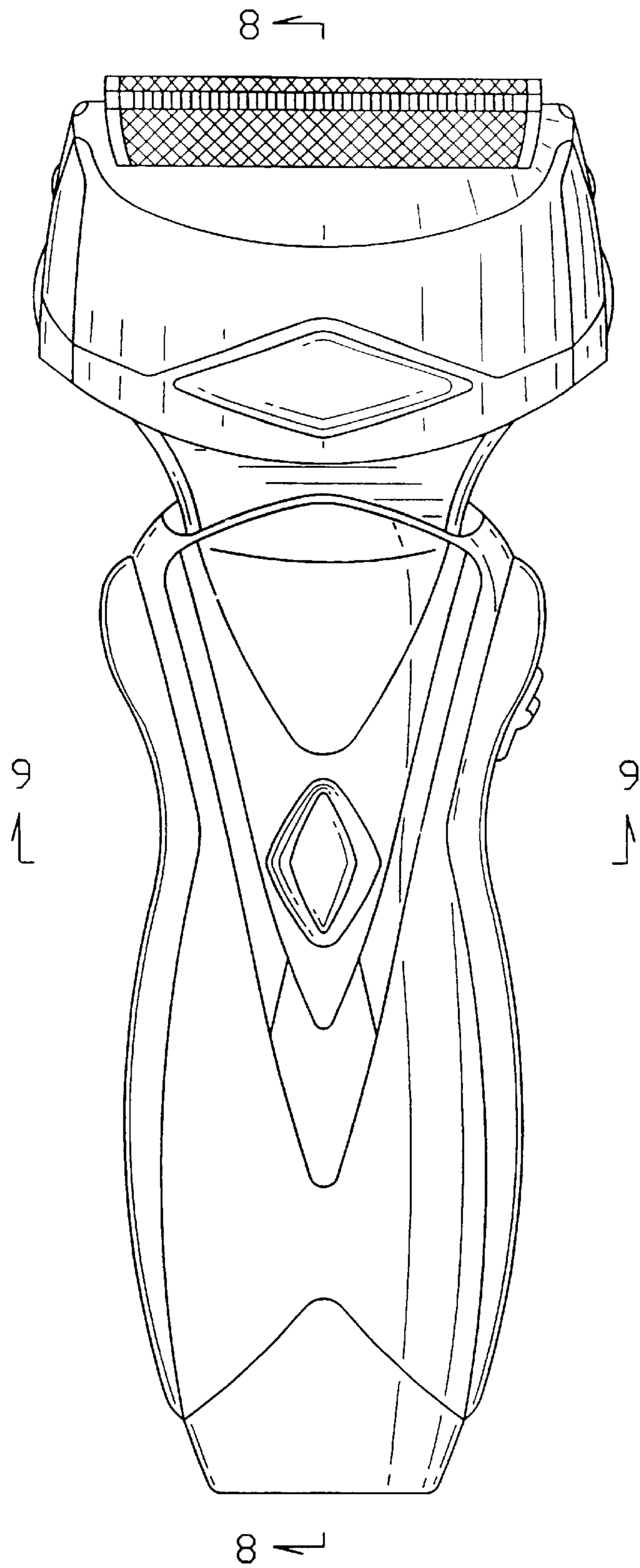


FIG. 1



FIG. 2

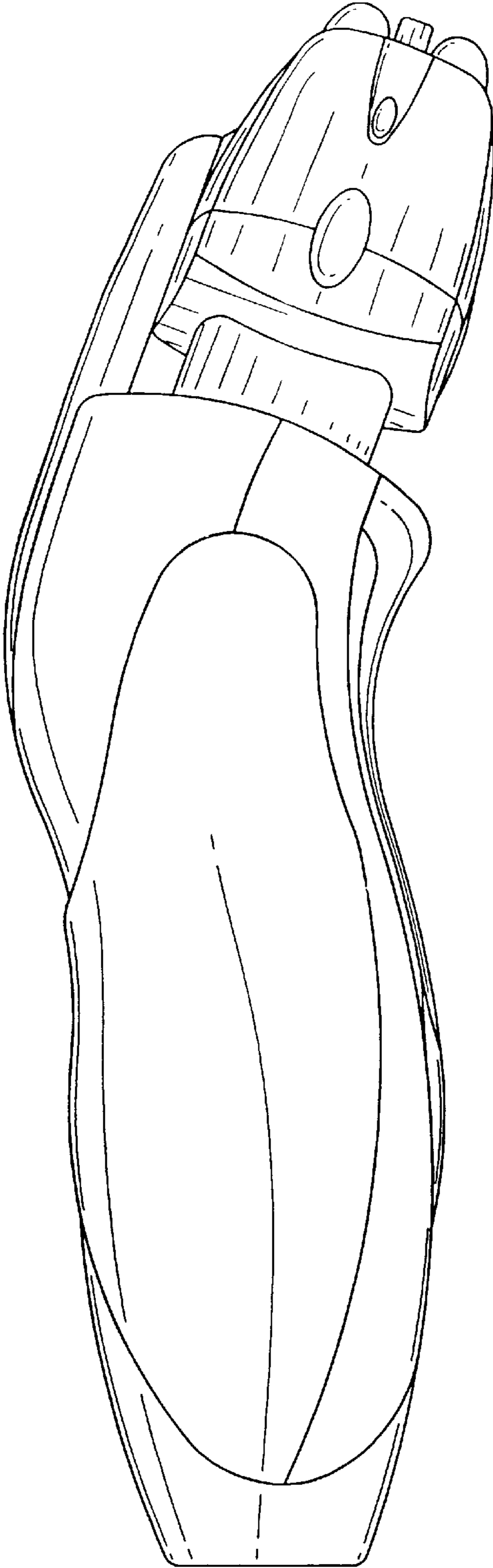


FIG. 3

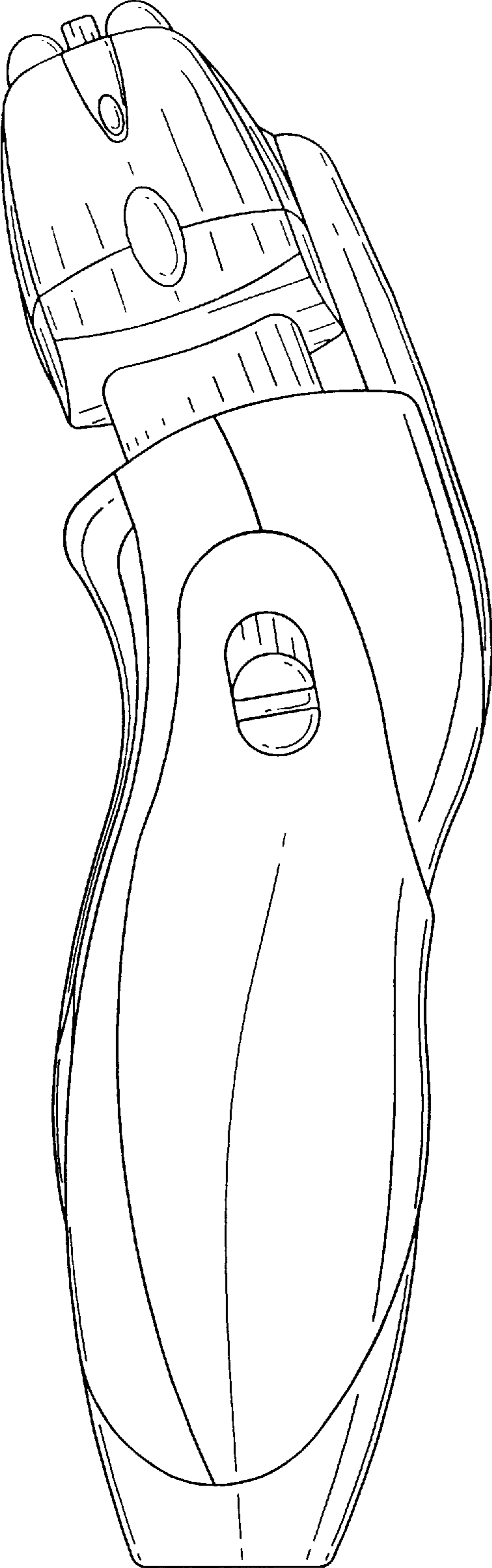


FIG. 4

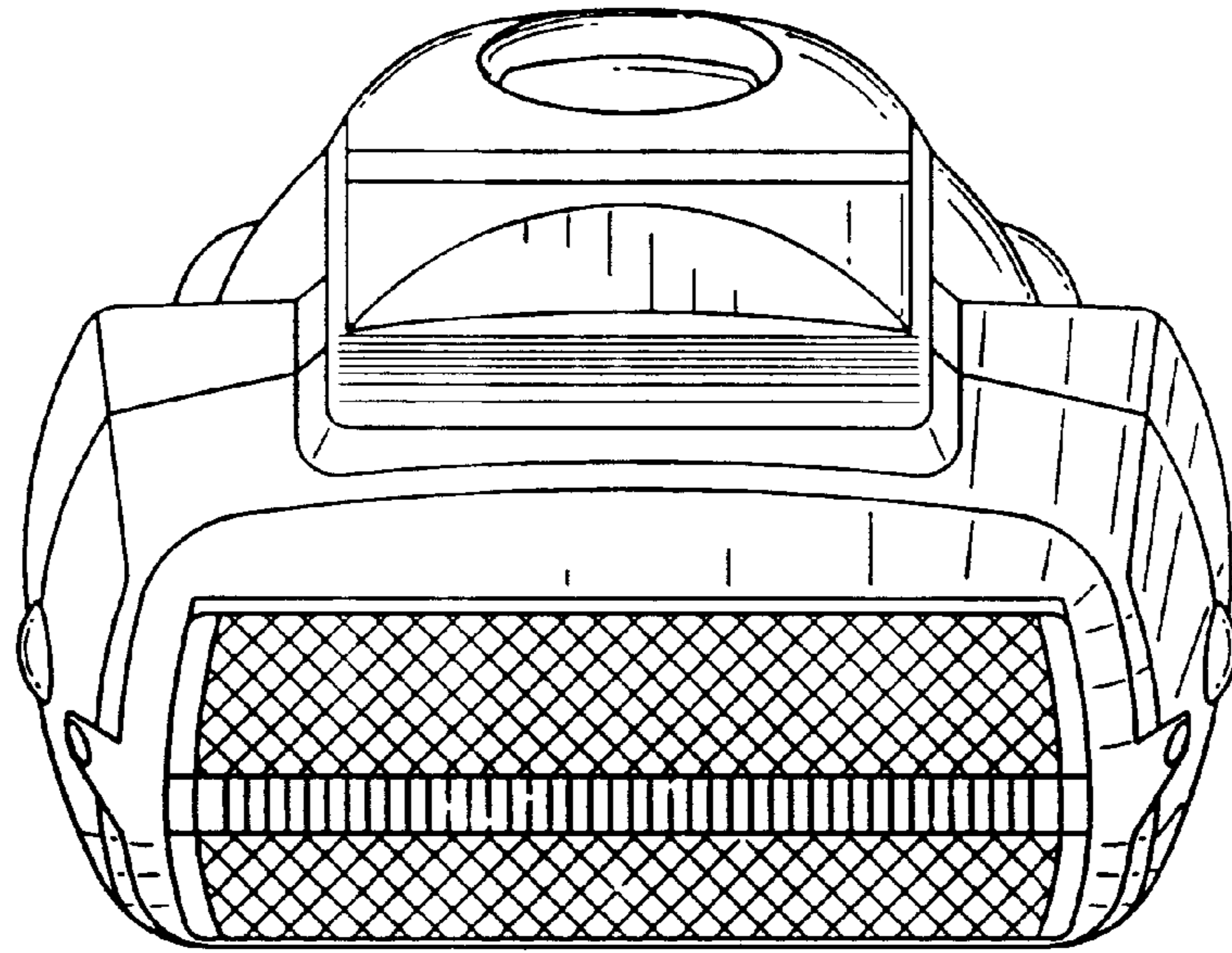


FIG. 5

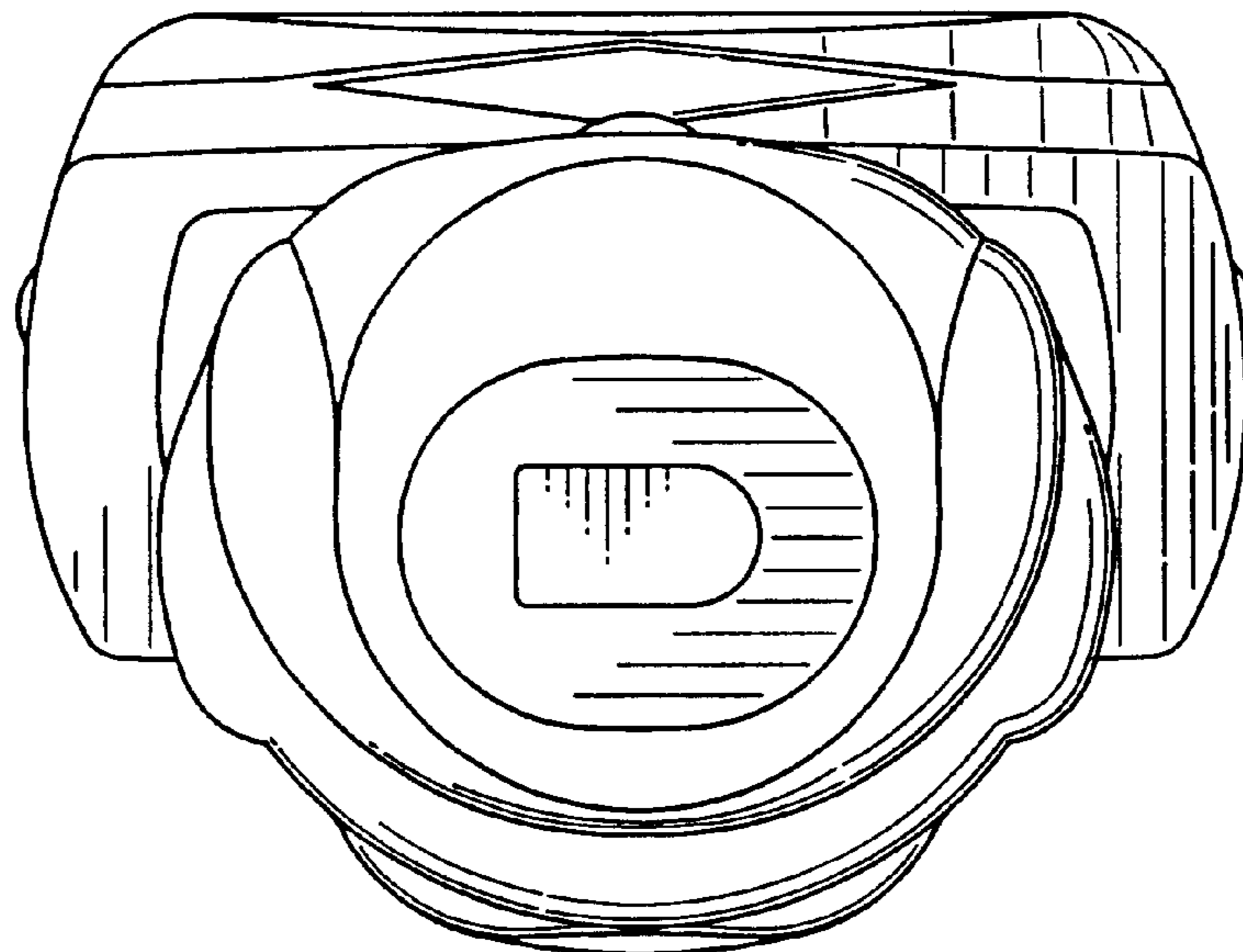


FIG. 6

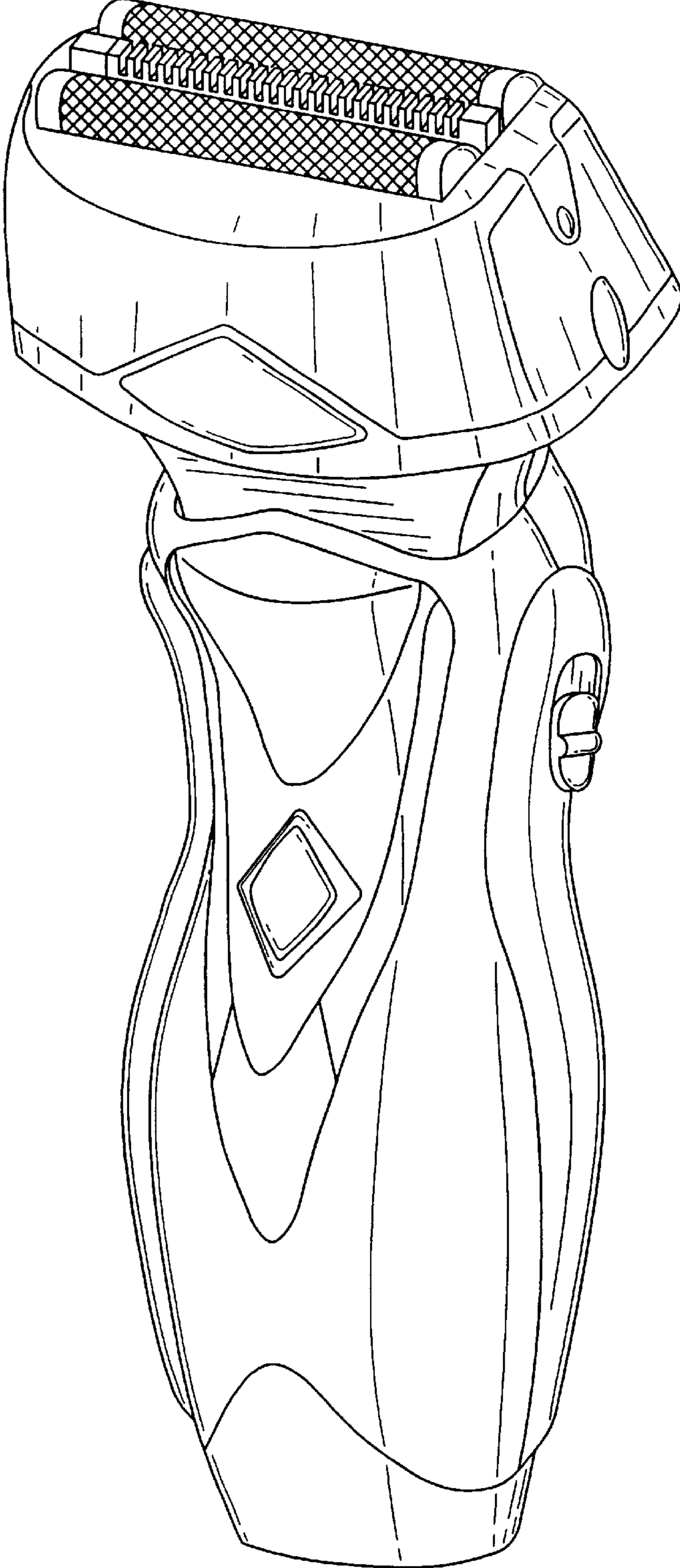


FIG. 7

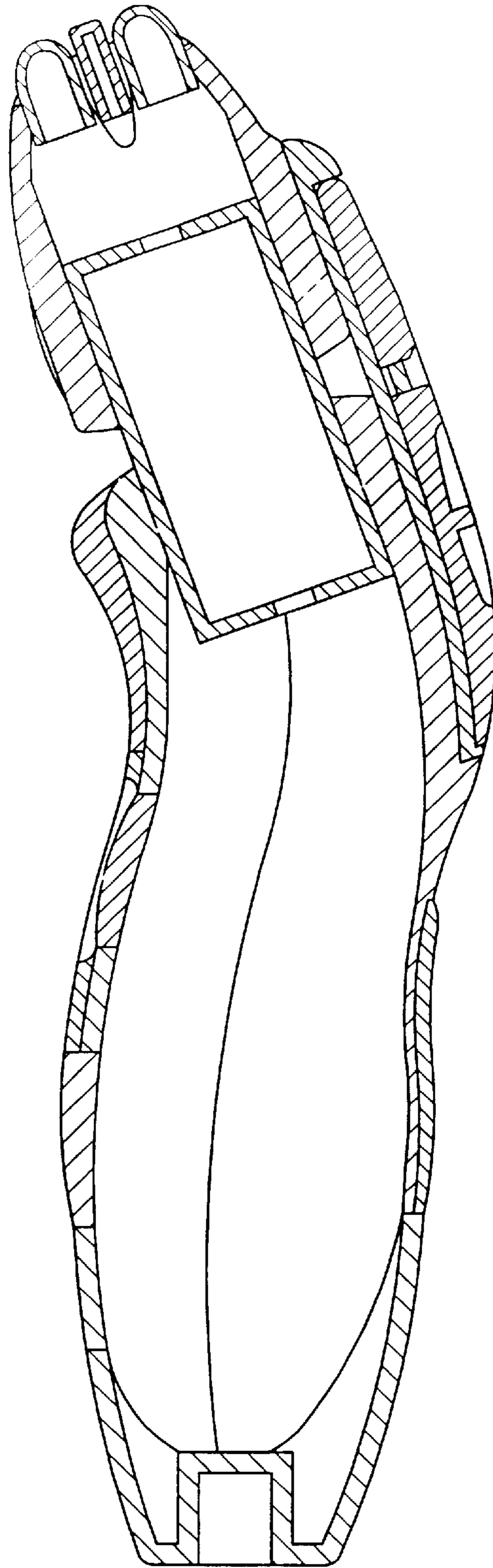


FIG. 8

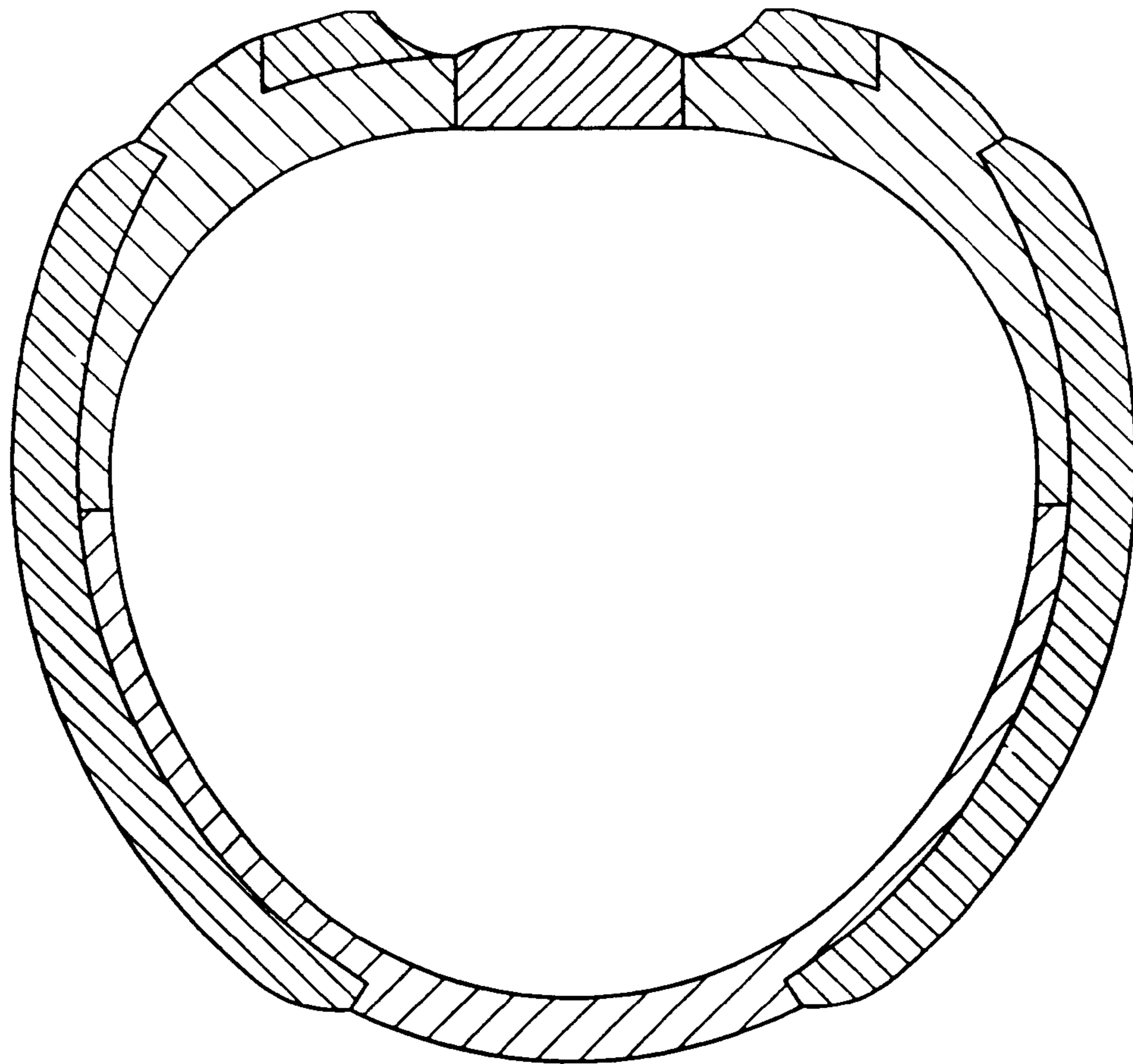


FIG. 9