



US00D511396S

(12) **United States Design Patent**
Flores

(10) **Patent No.:** **US D511,396 S**

(45) **Date of Patent:** **** Nov. 8, 2005**

(54) **LAMP SUPPORT ARM**

(75) **Inventor:** **Miguel Flores**, Riverside, CA (US)

(73) **Assignee:** **Minka Lighting, Inc.**, Corona, CA (US)

(**) **Term:** **14 Years**

(21) **Appl. No.:** **29/216,777**

(22) **Filed:** **Nov. 9, 2004**

(51) **LOC (8) Cl.** **26-99**

(52) **U.S. Cl.** **D26/155**

(58) **Field of Search** D26/24, 67, 71,
D26/72, 85-92, 142, 145, 149, 152, 154,
155, 118, 128-137; 362/147, 404-408,
432, 455, 457

(56) **References Cited**

U.S. PATENT DOCUMENTS

D54,477 S	*	2/1920	Strahan	D26/145
D56,881 S	*	1/1921	Kahns	D26/145
D65,817 S	*	10/1924	Levy	D26/145
1,575,795 A	*	3/1926	Sample	24/369
D434,873 S	*	12/2000	Jaspers-Fayer et al.	D26/155
D461,274 S	*	8/2002	De'Armond	D26/142
D465,052 S	*	10/2002	De'Armond et al.	D26/87
D501,948 S	*	2/2005	Curtin	D26/87
2003/0117806 A1	*	6/2003	De'Armond	362/432

OTHER PUBLICATIONS

Kichler Lighting Catalog No. 104, ©2004; (3 pages) item 9419—"Londonderry" on p. 301; item 9476—"Inverness-Cambridge" on p. 302 and item 9459—"Meuse" on p. 306.*

The Great Outdoors 2004 Catalog by Minka-Lavery; Minka Lighting, Inc., U.S.A.; Jan. 2004; Kent Place Model; pp. 4-5.

U.S. Appl. No. 29/216,783, Miguel Flores.

U.S. Appl. No. 29/216,815, Miguel Flores.

U.S. Appl. No. 29/216,821, Miguel Flores.

* cited by examiner

Primary Examiner—Clare E Heflin

(74) *Attorney, Agent, or Firm*—Baker & McKenzie LLP

(57) **CLAIM**

The ornamental design for a lamp support arm, as shown and described.

DESCRIPTION

FIG. 1 is a perspective view from above of a lamp support arm in accordance with my design;

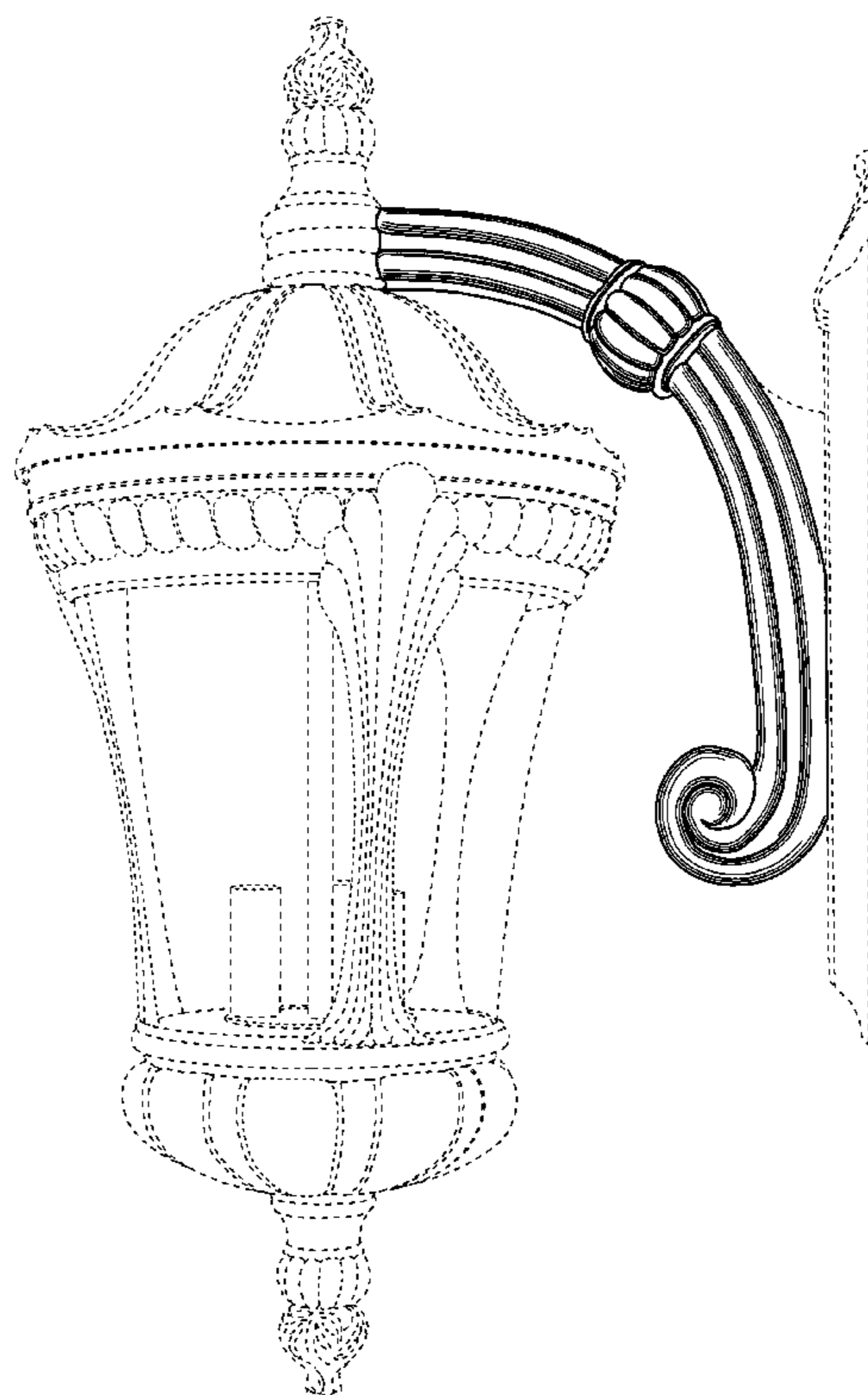
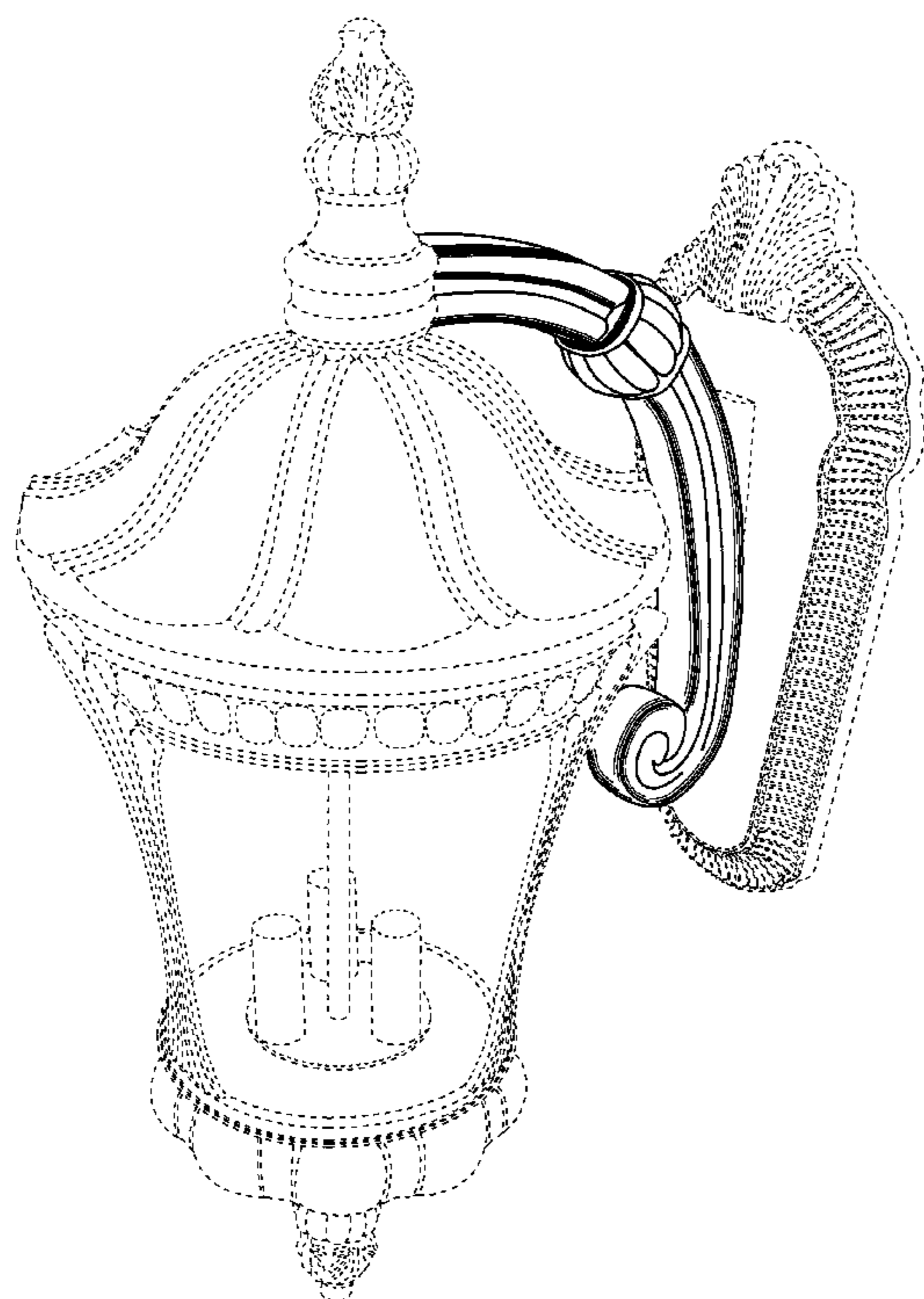
FIG. 2 is a side elevation view of the lamp support arm in accordance with my design;

FIG. 3 is a top plan view of the lamp support arm in accordance with my design; and,

FIG. 4 is a bottom plan view of the lamp support arm in accordance with my design.

The broken lines showing environmental structure are for illustrative purposes and form no part of the claimed design.

1 Claim, 3 Drawing Sheets



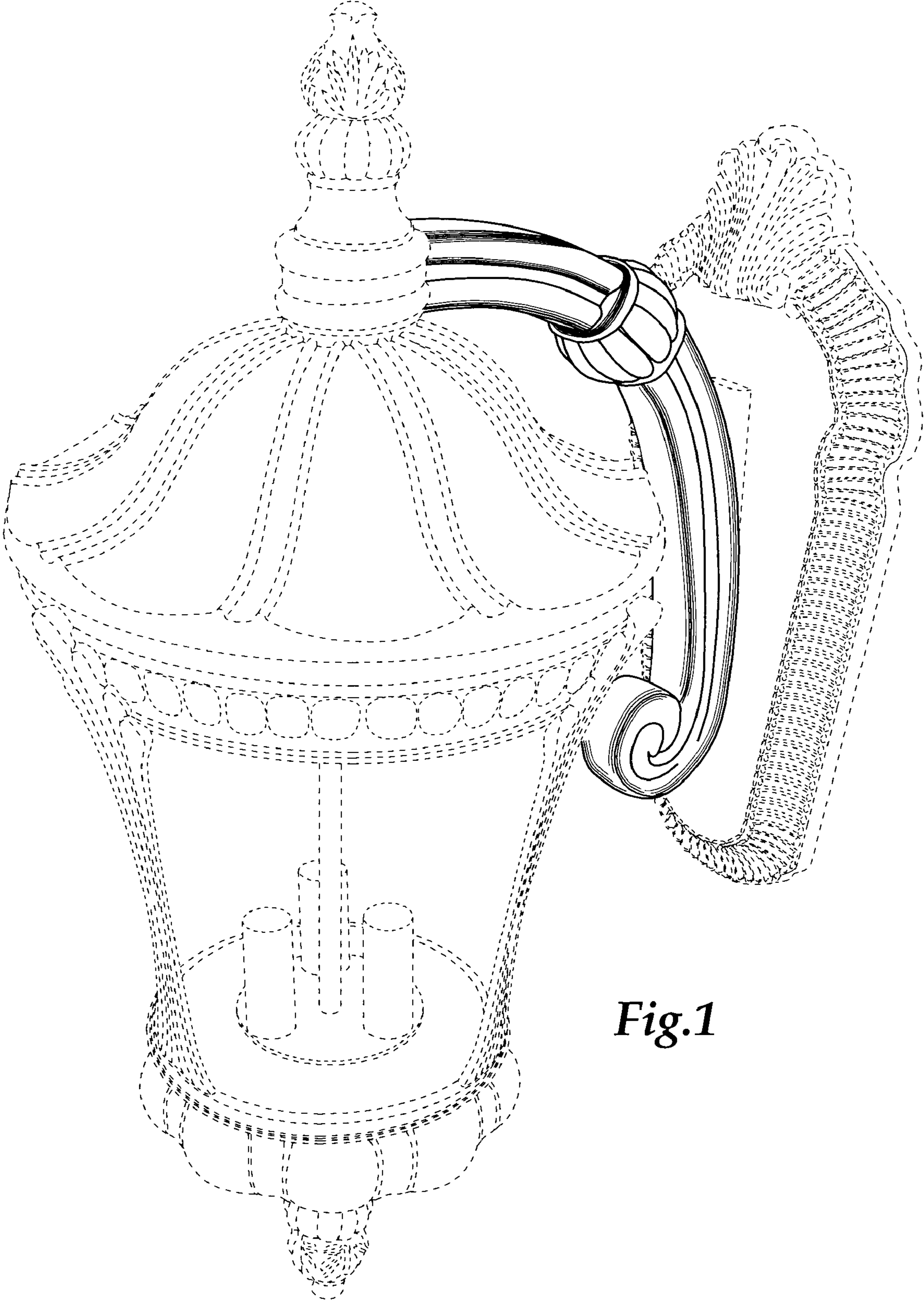


Fig.1

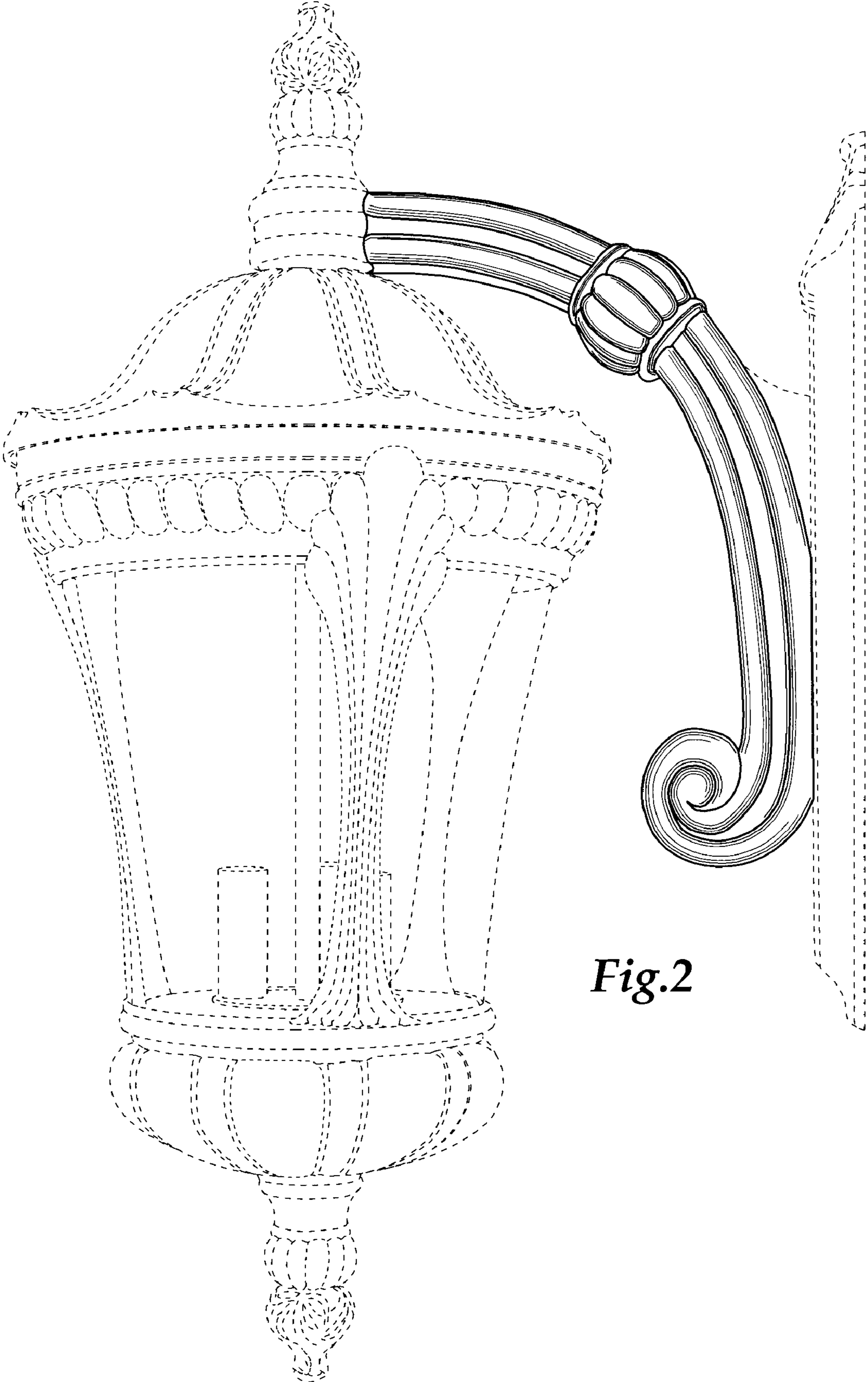


Fig.2

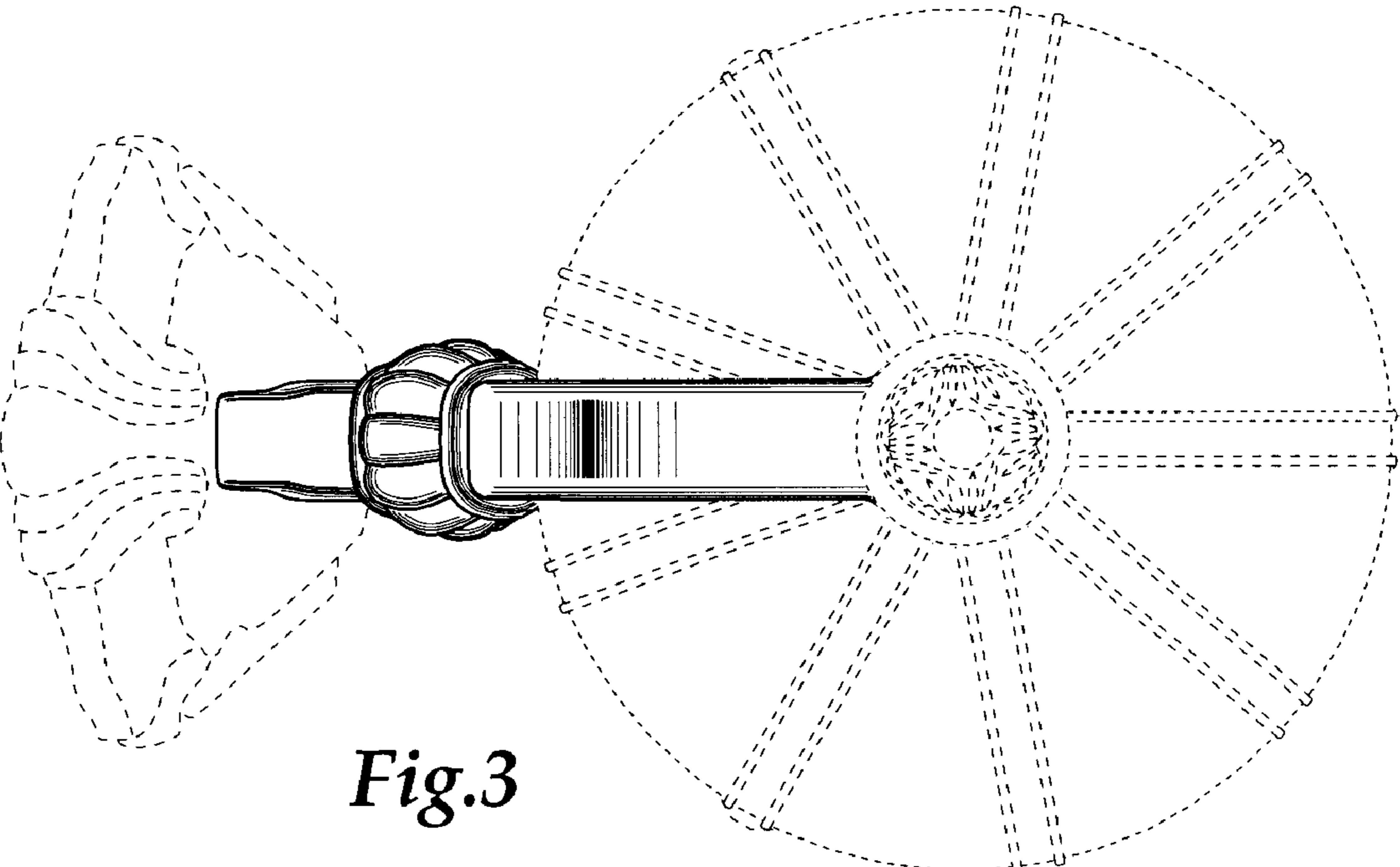


Fig.3

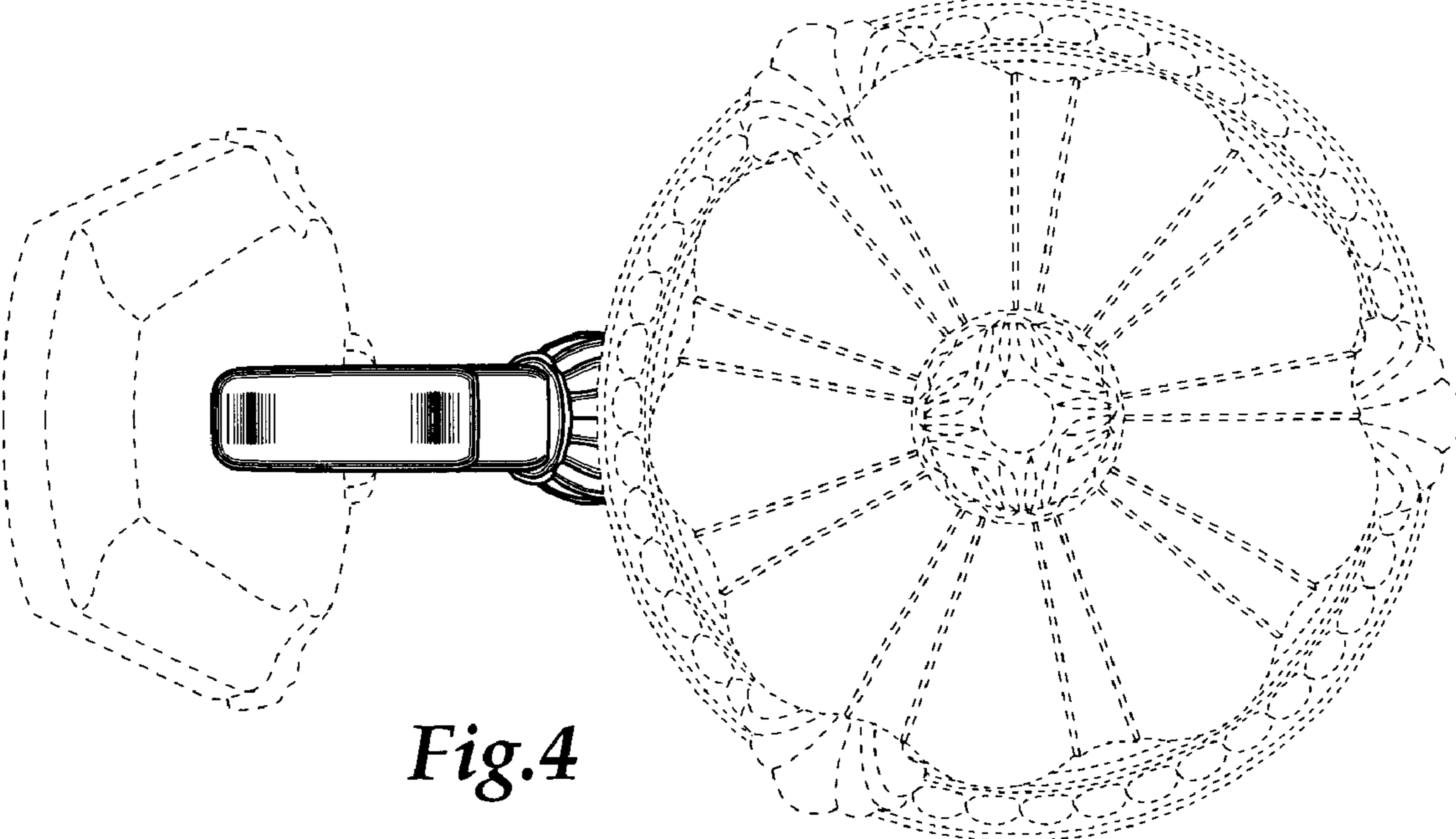


Fig.4