



US00D511395S

(12) **United States Design Patent**
August

(10) **Patent No.:** **US D511,395 S**

(45) **Date of Patent:** **** Nov. 8, 2005**

(54) **LAMPPOST**

(76) **Inventor:** **Scott August**, 10030 Stanton St.,
Zeeland, MI (US) 49464

(**) **Term:** **14 Years**

(21) **Appl. No.:** **29/205,326**

(22) **Filed:** **May 12, 2004**

(51) **LOC (8) Cl.** **26-03**

(52) **U.S. Cl.** **D26/106**

(58) **Field of Search** D26/61-68, 93,
D26/95, 104, 106-108; 362/153, 153.1,
217, 431, 410-414, 806

(56) **References Cited**

U.S. PATENT DOCUMENTS

D296,479 S * 6/1988 Chan D26/61

* cited by examiner

Primary Examiner—Alan P. Douglas

Assistant Examiner—Linda Brooks

(74) *Attorney, Agent, or Firm*—King & Jovanovic, PLC

(57) **CLAIM**

The ornamental design for a lamppost, as shown and described.

DESCRIPTION

FIG. 1 is a perspective view of a lamppost showing a new ornamental design thereof;

FIG. 2 is a back elevational view thereof;

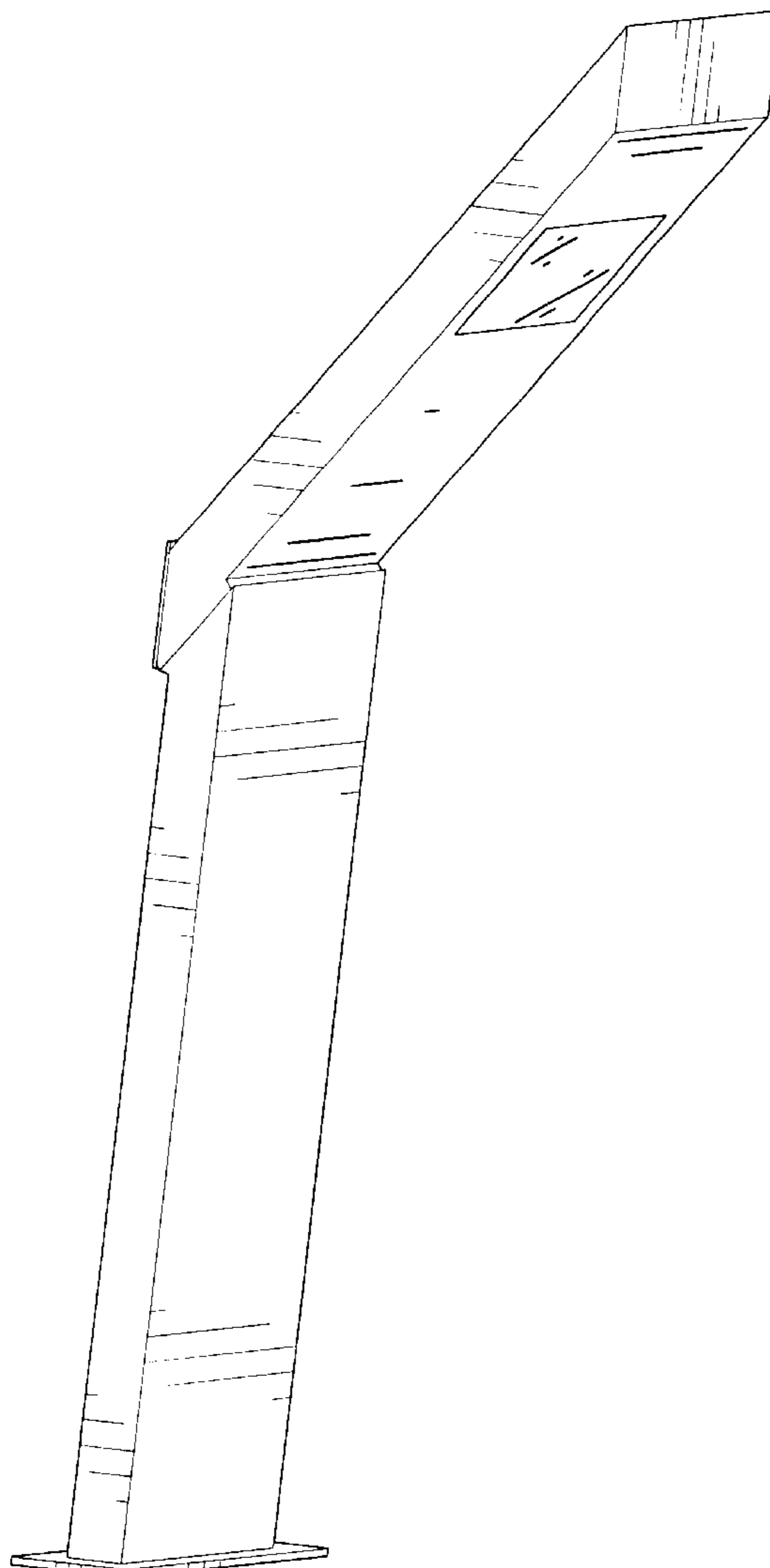
FIG. 3 is a front elevational view thereof;

FIG. 4 is a side elevational view thereof;

FIG. 5 is a top plan view thereof; and,

FIG. 6 is a bottom plan view thereof.

1 Claim, 4 Drawing Sheets



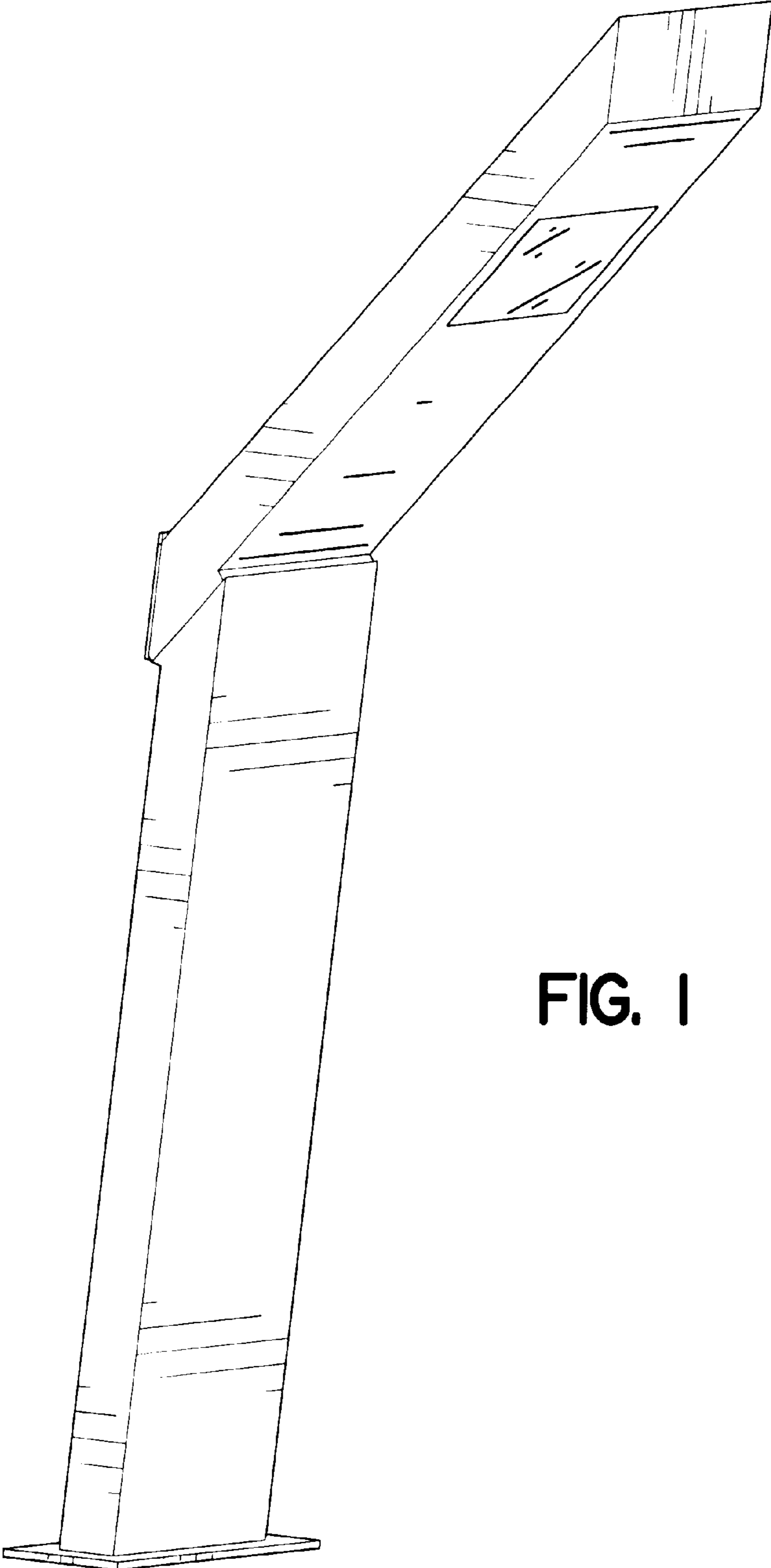


FIG. 1

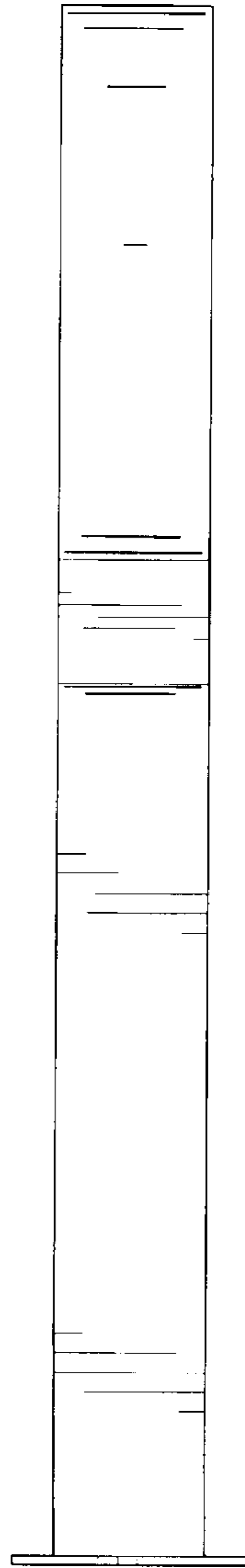


FIG. 2

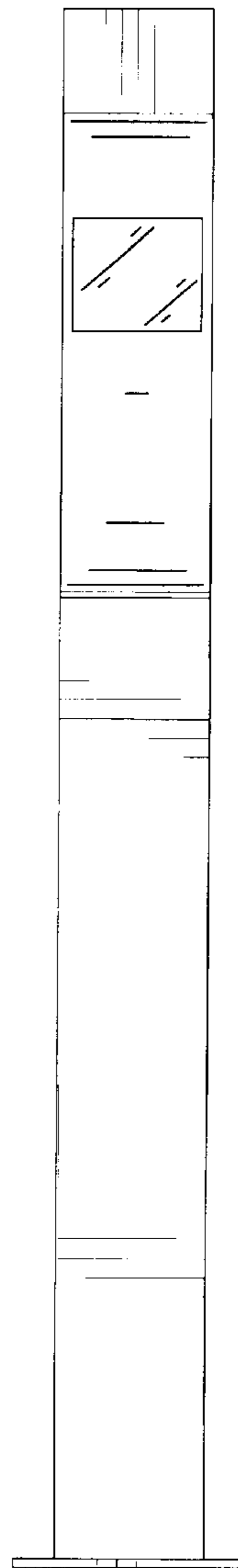


FIG. 3

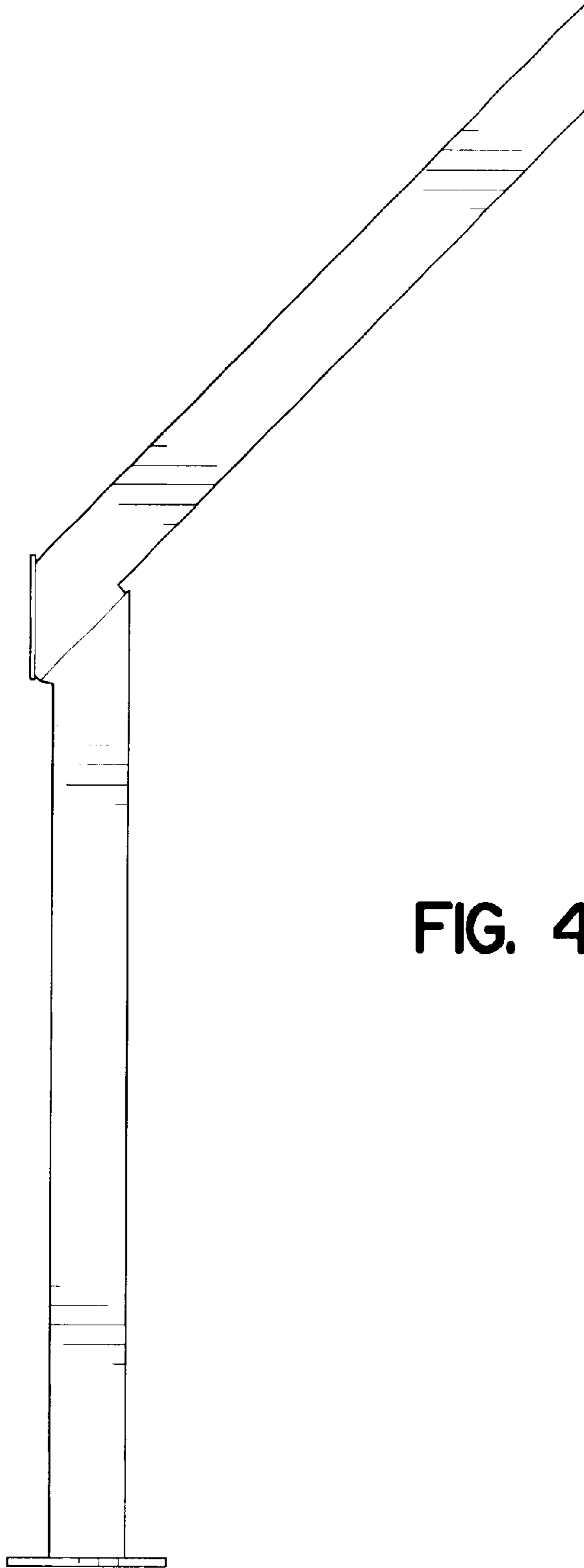


FIG. 4

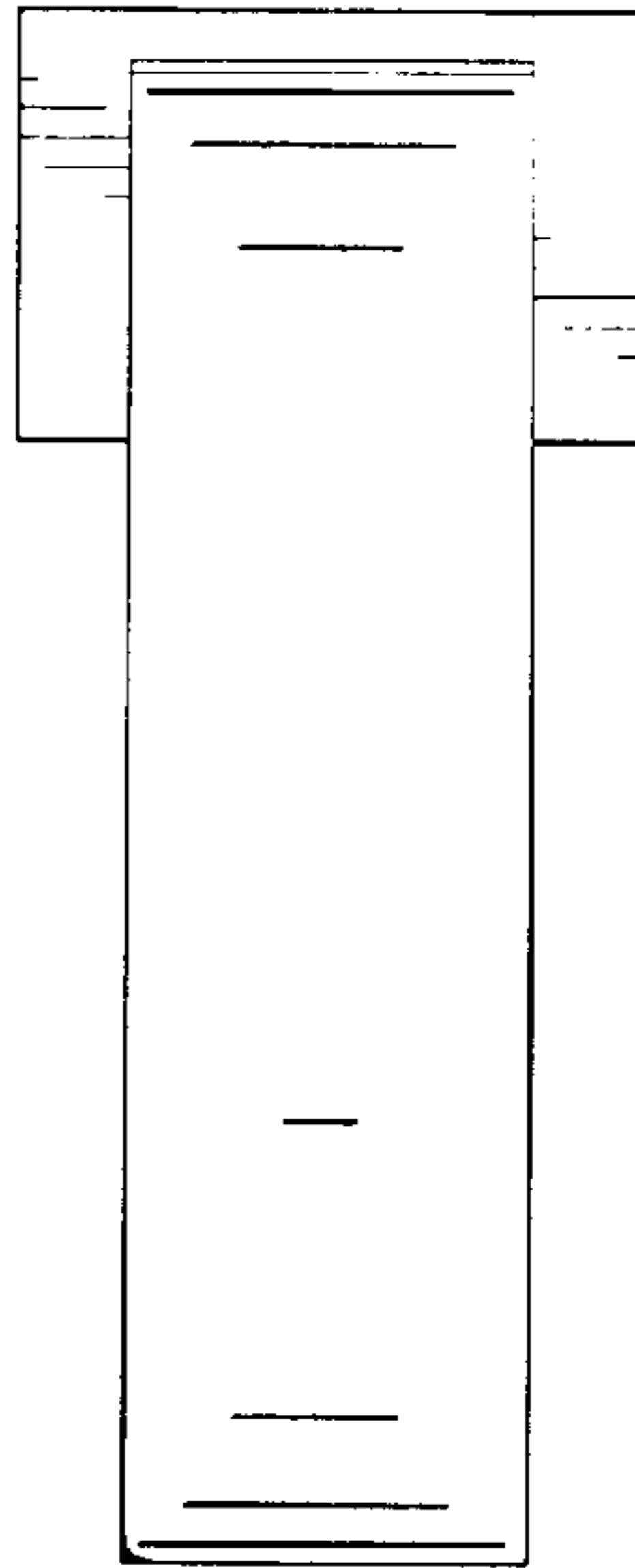


FIG. 5

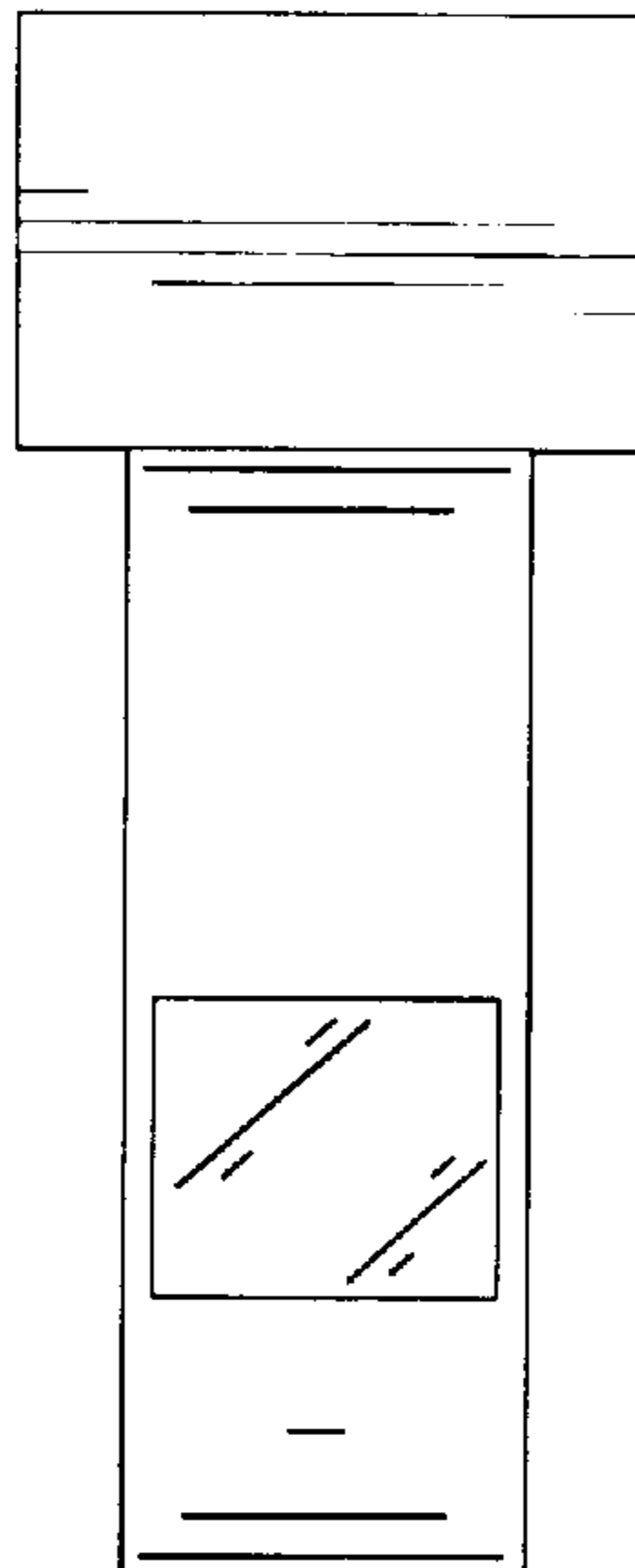


FIG. 6