



US00D511392S

(12) **United States Design Patent** (10) **Patent No.:** **US D511,392 S**
Krieger et al. (45) **Date of Patent:** **** Nov. 8, 2005**

(54) **SPOTLIGHT**

(75) Inventors: **Michael Krieger**, Miami Beach, FL (US); **Kevin Ellsworth**, Hollywood, FL (US)

(73) Assignee: **Vector Products, Inc.**, Ft. Lauderdale, FL (US)

(**) Term: **14 Years**

(21) Appl. No.: **29/199,391**

(22) Filed: **Feb. 17, 2004**

(51) **LOC (8) Cl.** **26-02**

(52) **U.S. Cl.** **D26/44**

(58) **Field of Search** D26/37-50; 362/157, 362/158, 171-174, 183-208

(56) **References Cited**

U.S. PATENT DOCUMENTS

2,257,866 A	10/1941	Talbot et al.
2,620,388 A	5/1952	Franz
2,861,174 A	11/1958	Talbot et al.
D187,338 S	3/1960	Chun
3,015,719 A	1/1962	Kirkman
3,961,175 A	6/1976	Otagoshi
D243,272 S	2/1977	Okuno et al.
4,422,130 A	12/1983	Shigeo
4,467,263 A	8/1984	Conforti et al.
4,575,784 A	3/1986	Diau
D284,106 S	6/1986	Drane
D287,292 S	12/1986	Yuen
D300,035 S	2/1989	Yuen
4,977,489 A	12/1990	Fung
D313,665 S	1/1991	Yuen
D329,504 S	9/1992	Yuen
5,217,297 A	6/1993	Yuen
D337,644 S	7/1993	Stearns et al.
D337,840 S	7/1993	Ekeroth

(Continued)

Primary Examiner—Marcus A. Jackson
(74) *Attorney, Agent, or Firm*—Venable, LLP; Robert Kinberg

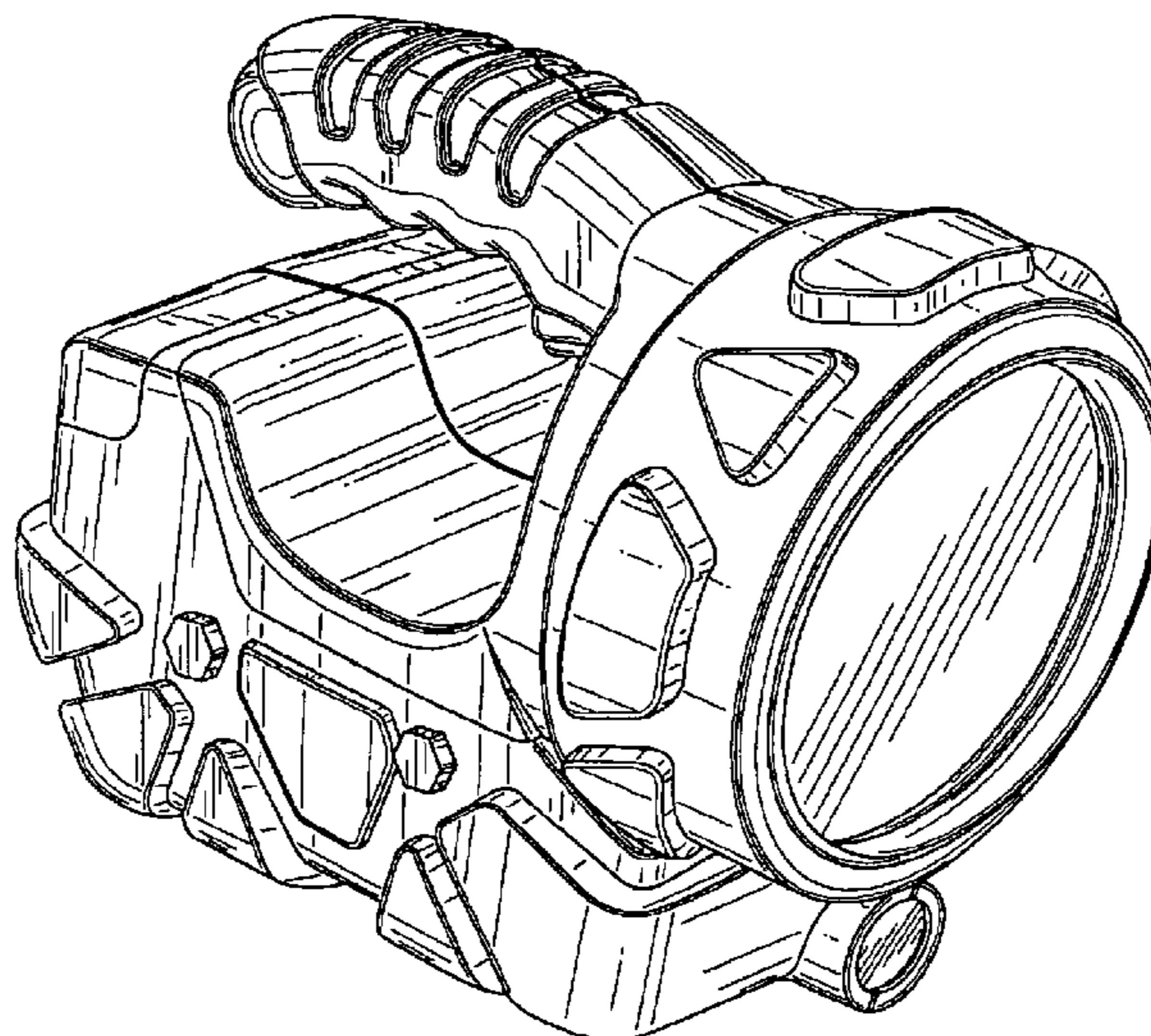
(57) **CLAIM**

The ornamental design for a spotlight, as shown and described.

DESCRIPTION

FIG. 1 is a perspective view from the front-top-left side of the spotlight showing a first embodiment of our new design; FIG. 2 is a front view of the design shown in FIG. 1; FIG. 3 is a rear view of the design shown in FIG. 1; FIG. 4 is a left side view of the design shown in FIG. 1; FIG. 5 is a right side view of the design shown in FIG. 1; FIG. 6 is a top view of the design shown in FIG. 1; FIG. 7 is a bottom view of the design shown in FIG. 1; FIG. 8 is a perspective view from the front-top-left side of the spotlight showing a second embodiment of our new design; FIG. 9 is a front view of the design shown in FIG. 8; FIG. 10 is a rear view of the design shown in FIG. 8; FIG. 11 is a left side view of the design shown in FIG. 8; FIG. 12 is a right side view of the design shown in FIG. 8; FIG. 13 is a top view of the design shown in FIG. 8; FIG. 14 is a bottom view of the design shown in FIG. 8; FIG. 15 is a perspective view from the front-top-left side of the spotlight showing a third embodiment of our new design; FIG. 16 is a front view of the design shown in FIG. 15; FIG. 17 is a rear view of the design shown in FIG. 15; FIG. 18 is a left side view of the design shown in FIG. 15; FIG. 19 is right side view of the design shown in FIG. 15; FIG. 20 is a top view of the design shown in FIG. 15; and, FIG. 21 is a bottom view of the design shown in FIG. 15. The broken lines immediately adjacent the shaded areas represent the bounds of the claimed design while all other broken lines are for illustrative purposes only; the broken lines form no part of the claimed design.

1 Claim, 21 Drawing Sheets



US D511,392 S

Page 2

U.S. PATENT DOCUMENTS

D338,542 S	8/1993	Yuen	D427,698 S	7/2000	Yuen
D344,152 S	2/1994	Yuen	D434,513 S	11/2000	Poon
D344,602 S	2/1994	Yuen	D438,317 S	2/2001	Yuen
D345,810 S	4/1994	Yuen	6,260,985 B1	7/2001	Zeller
D354,364 S	1/1995	Yuen	D446,326 S	8/2001	Yeun
D357,086 S	4/1995	Poon	D447,588 S	9/2001	Zeller
D368,543 S	4/1996	Yuen	D452,022 S	12/2001	Osiecki et al.
D368,970 S	4/1996	Yuen	D453,047 S *	1/2002	Yuen D26/44
5,521,803 A	5/1996	Eckert et al.	6,361,184 B1	3/2002	Hallgrimsson et al.
D373,436 S *	9/1996	Li et al. D26/44	D459,822 S	7/2002	Poon
5,765,938 A	6/1998	Rousso et al.	D462,133 S	8/2002	Krieger et al.
D403,454 S	12/1998	Zelina et al.	D462,470 S	9/2002	Krieger et al.
5,859,582 A	1/1999	Yuen	6,457,841 B1	10/2002	Lynch et al.
5,906,426 A	5/1999	Farrington et al.	D466,637 S	12/2002	Gisser
5,944,407 A	8/1999	Lynch et al.	D469,555 S	1/2003	Hong
D418,931 S	1/2000	Poon	D485,628 S *	1/2004	Yuen D26/44
D426,006 S	5/2000	Yuen	D501,268 S *	1/2005	Yuen D26/44
D426,661 S	6/2000	Yuen	2003/0039118 A1	2/2003	Osiecki et al.

* cited by examiner

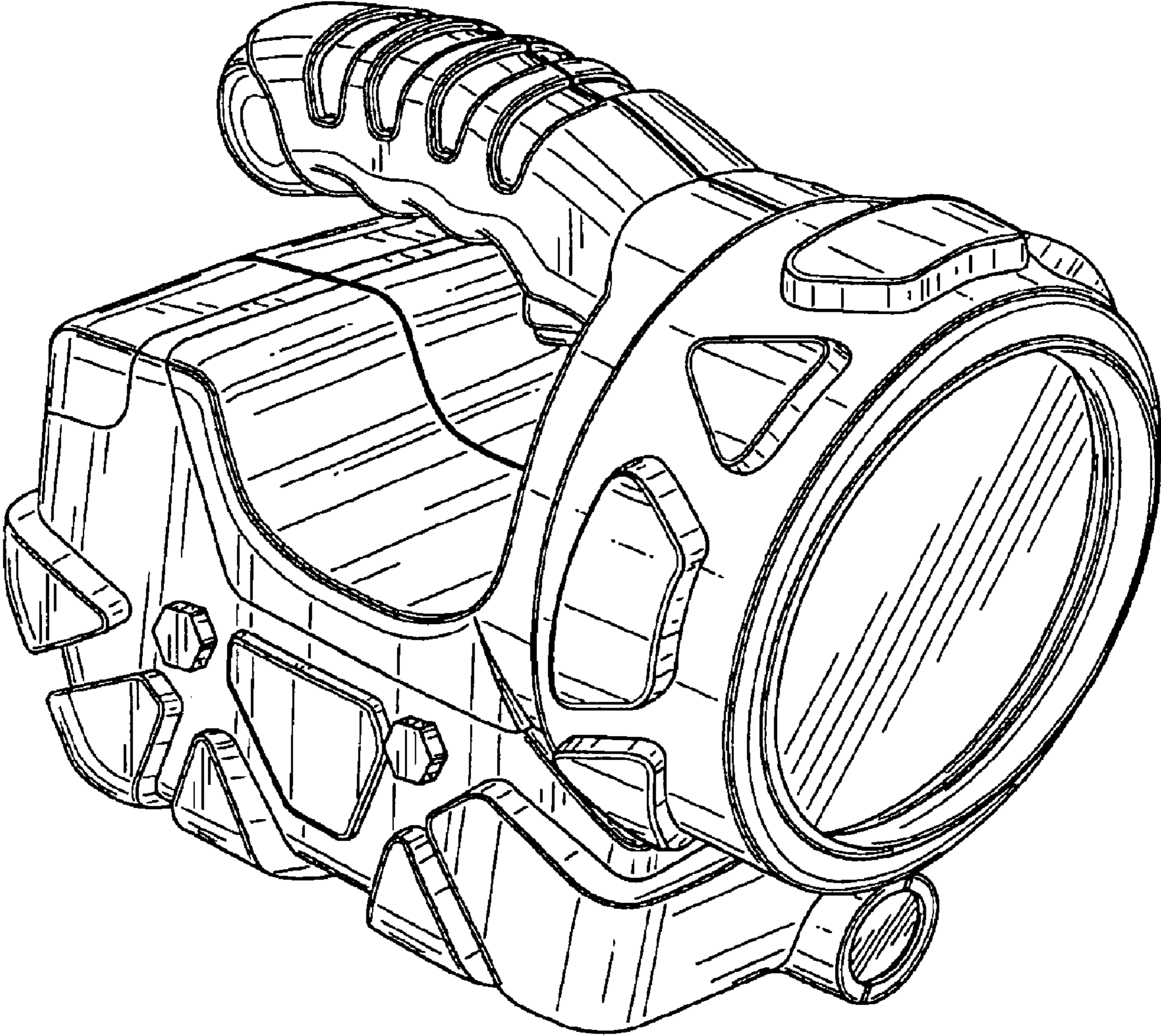


FIG. 1

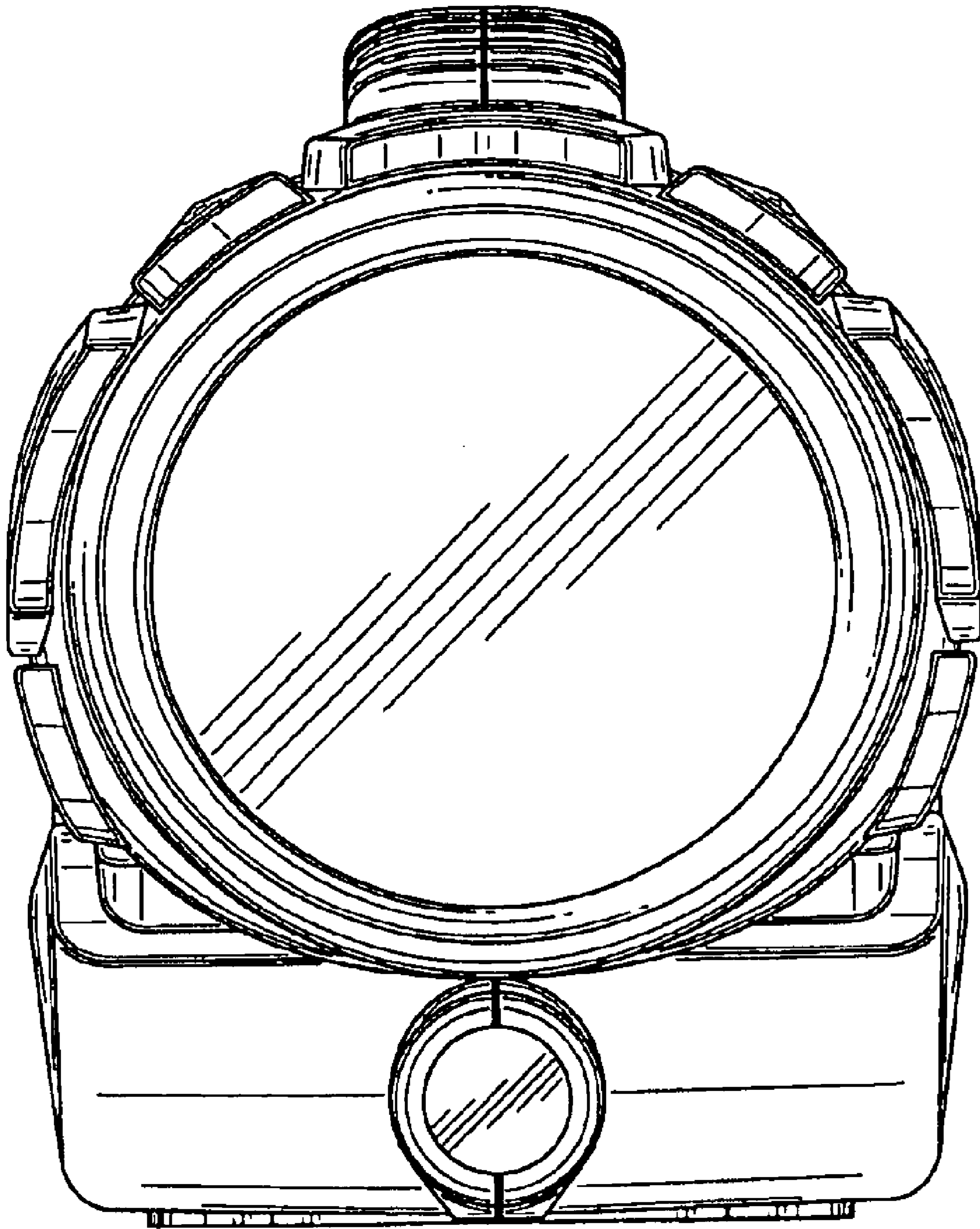


FIG. 2

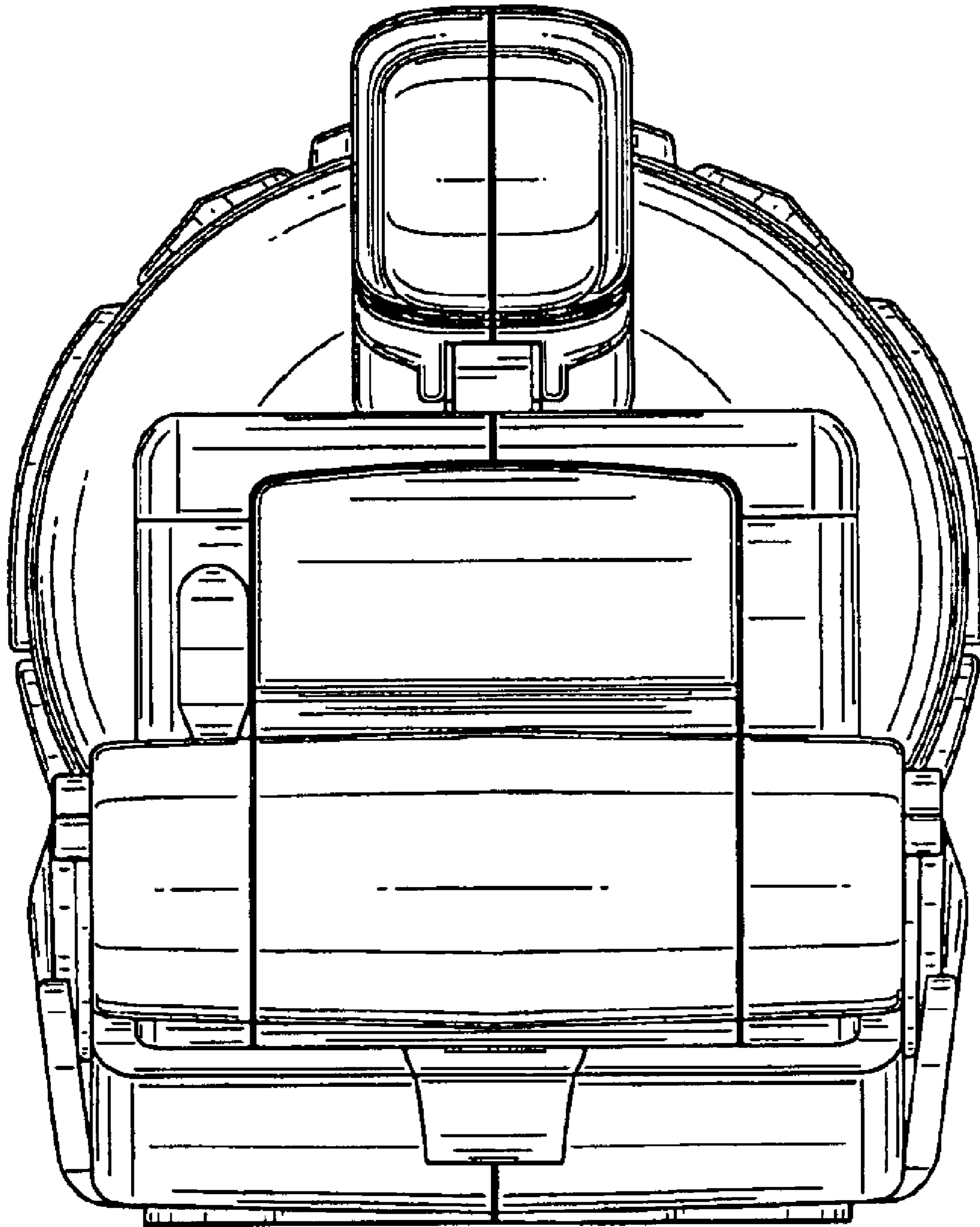


FIG. 3

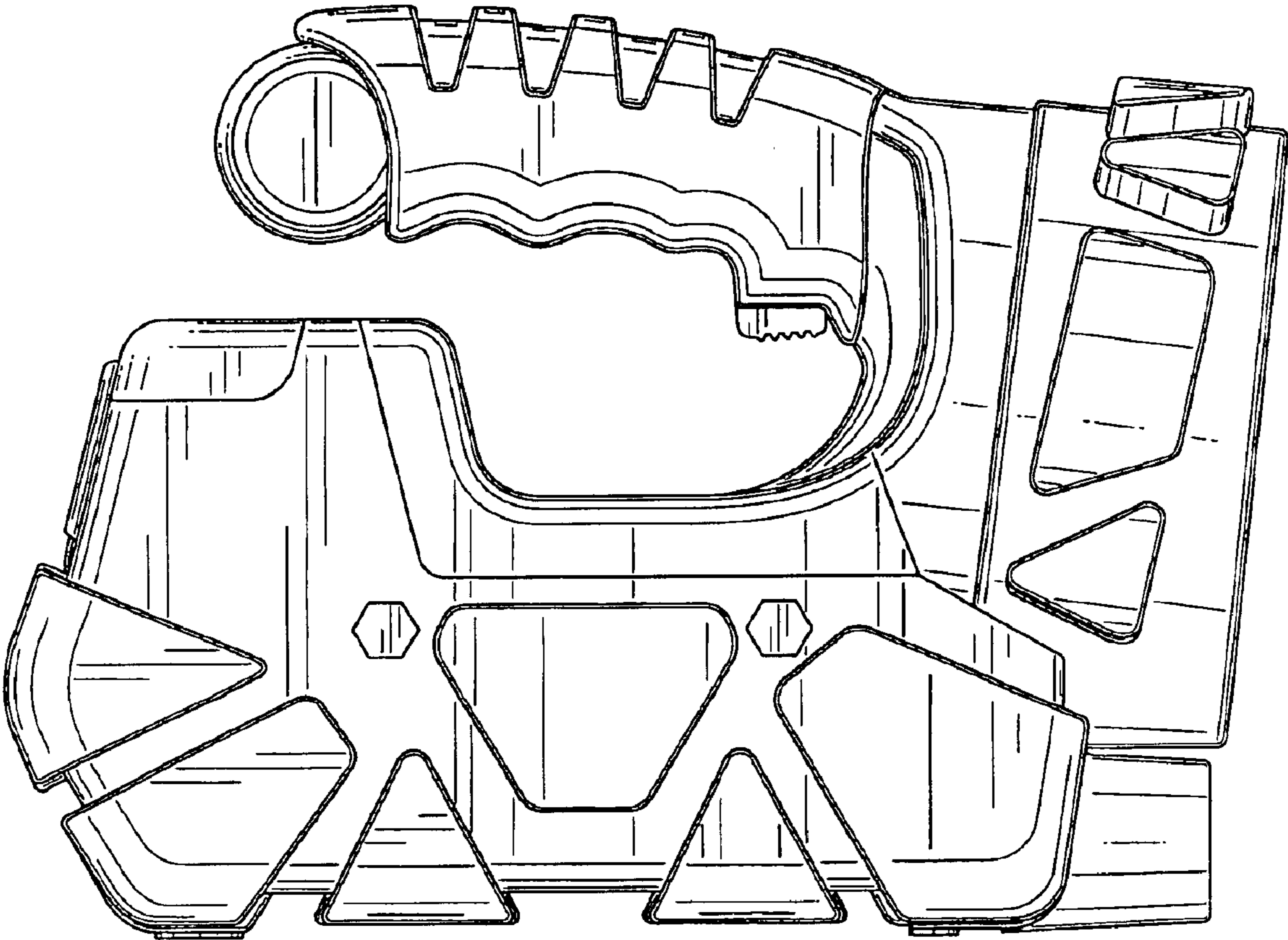


FIG. 4

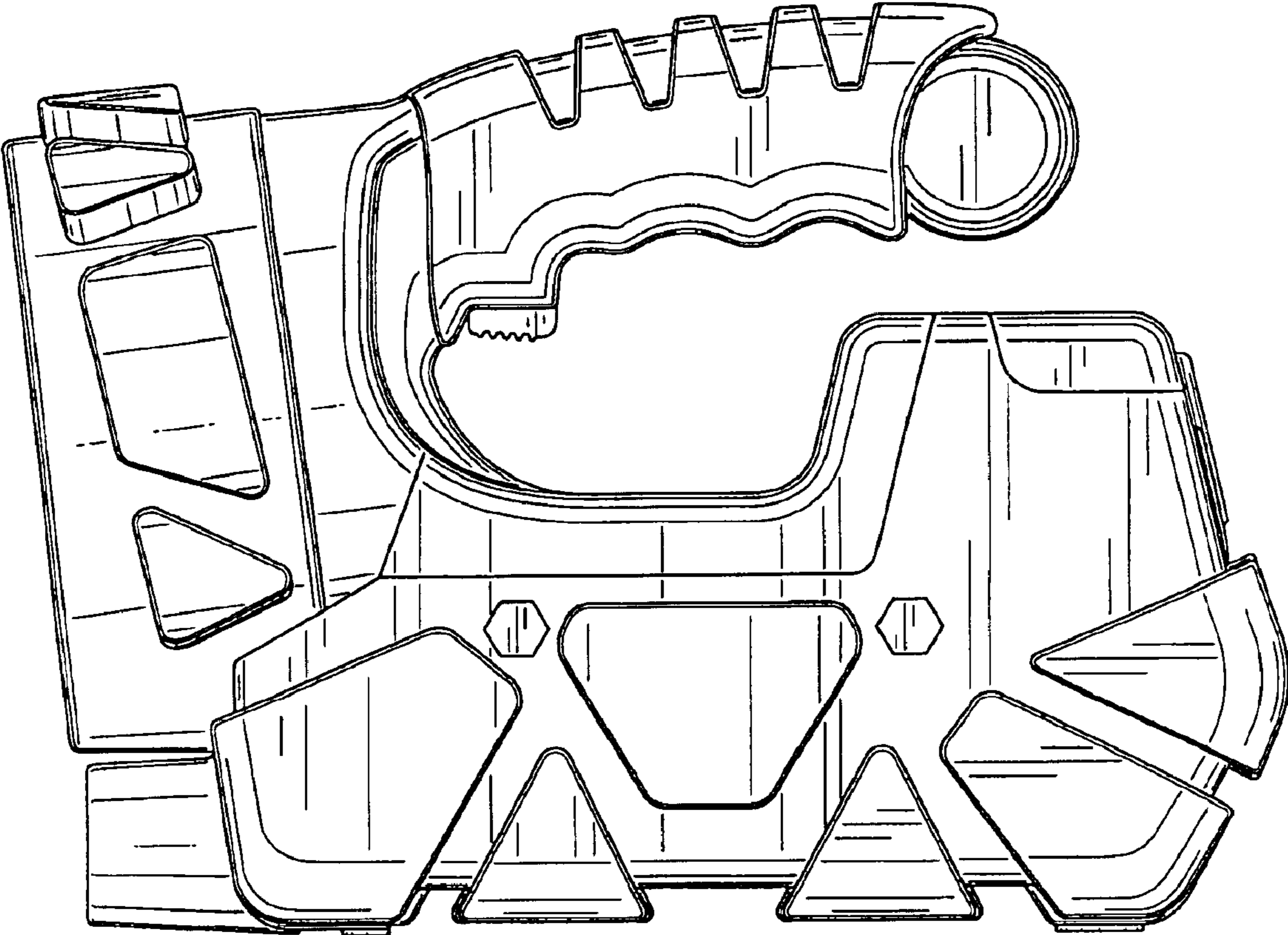


FIG. 5

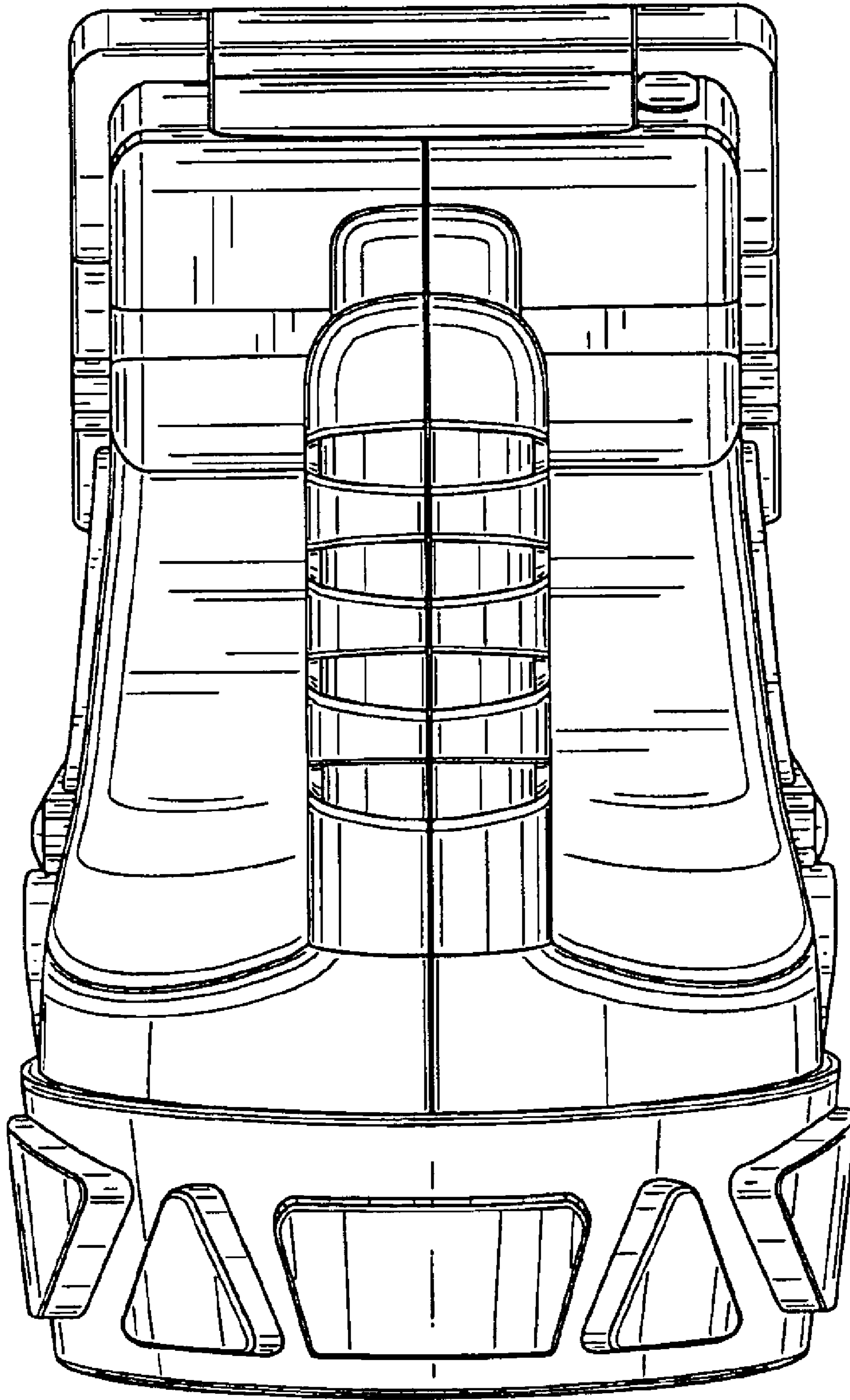


FIG. 6

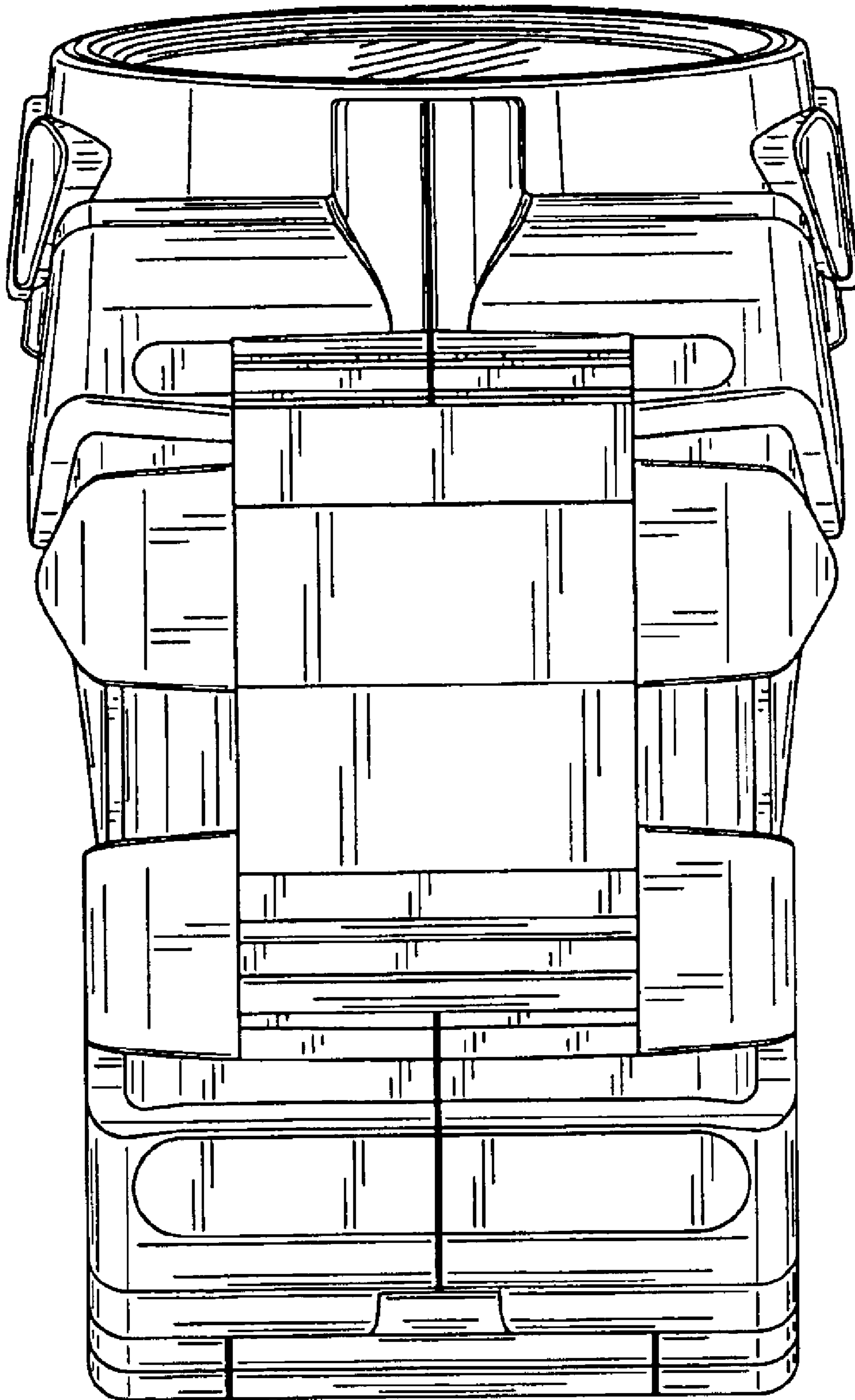


FIG. 7

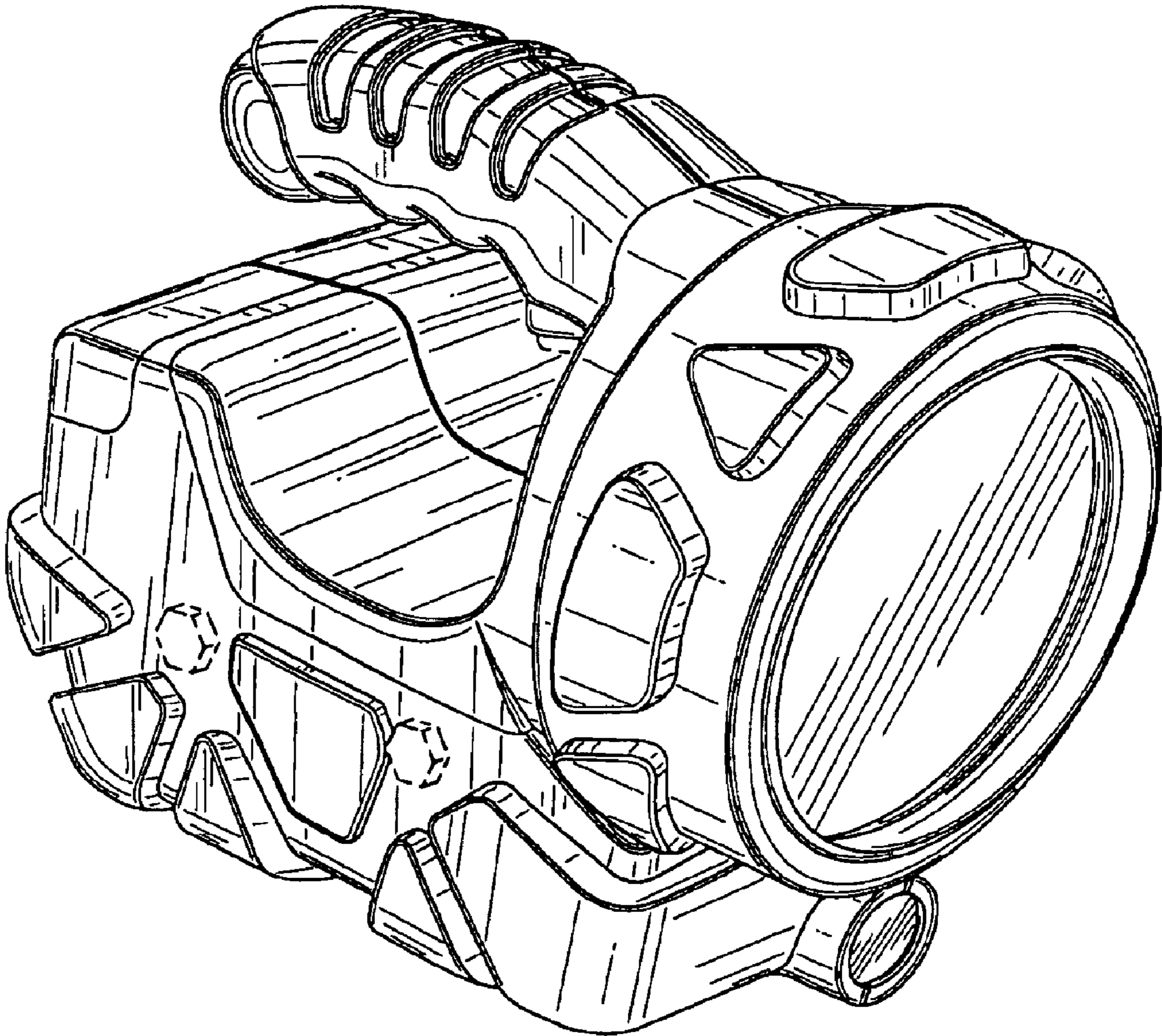


FIG. 8

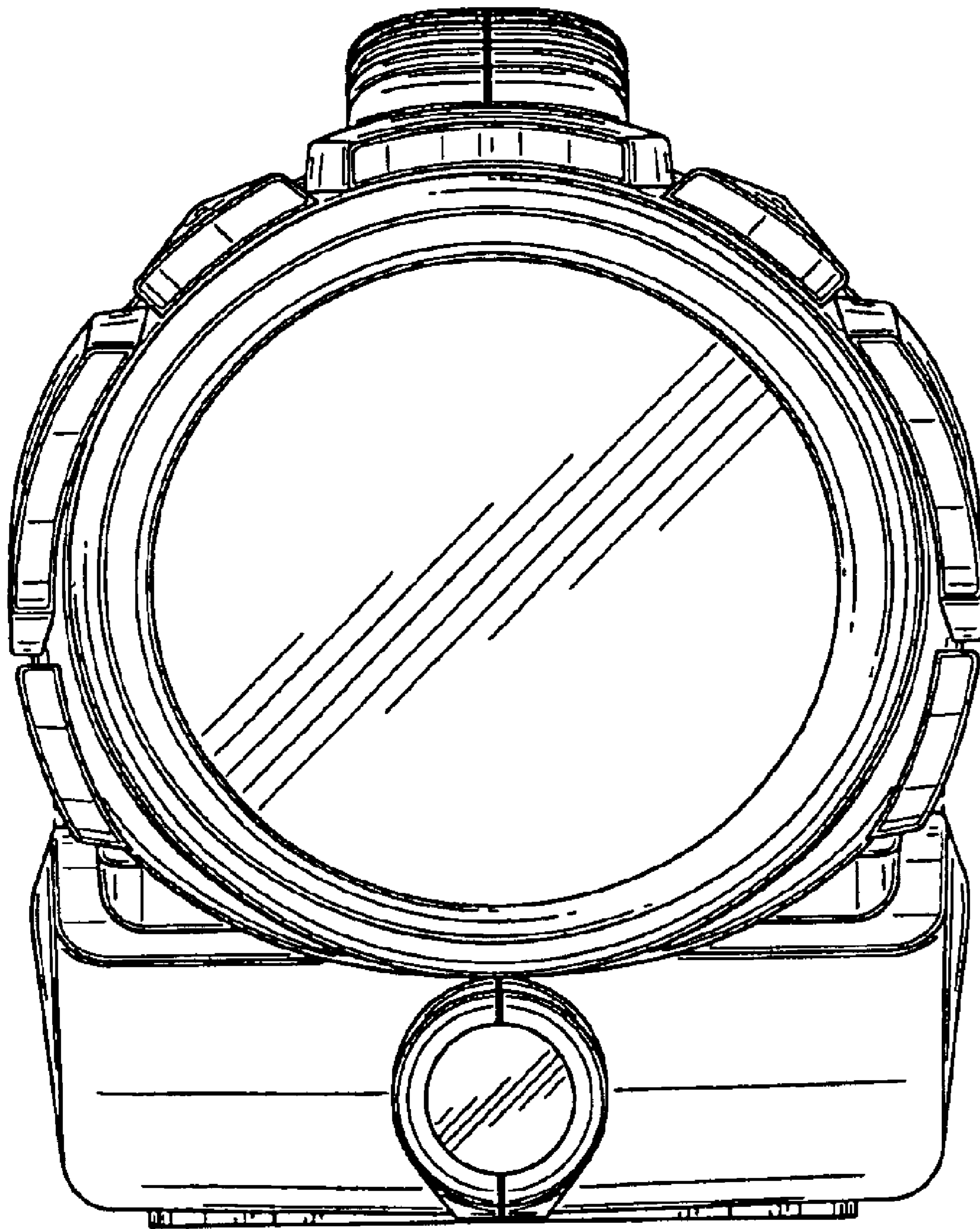


FIG. 9

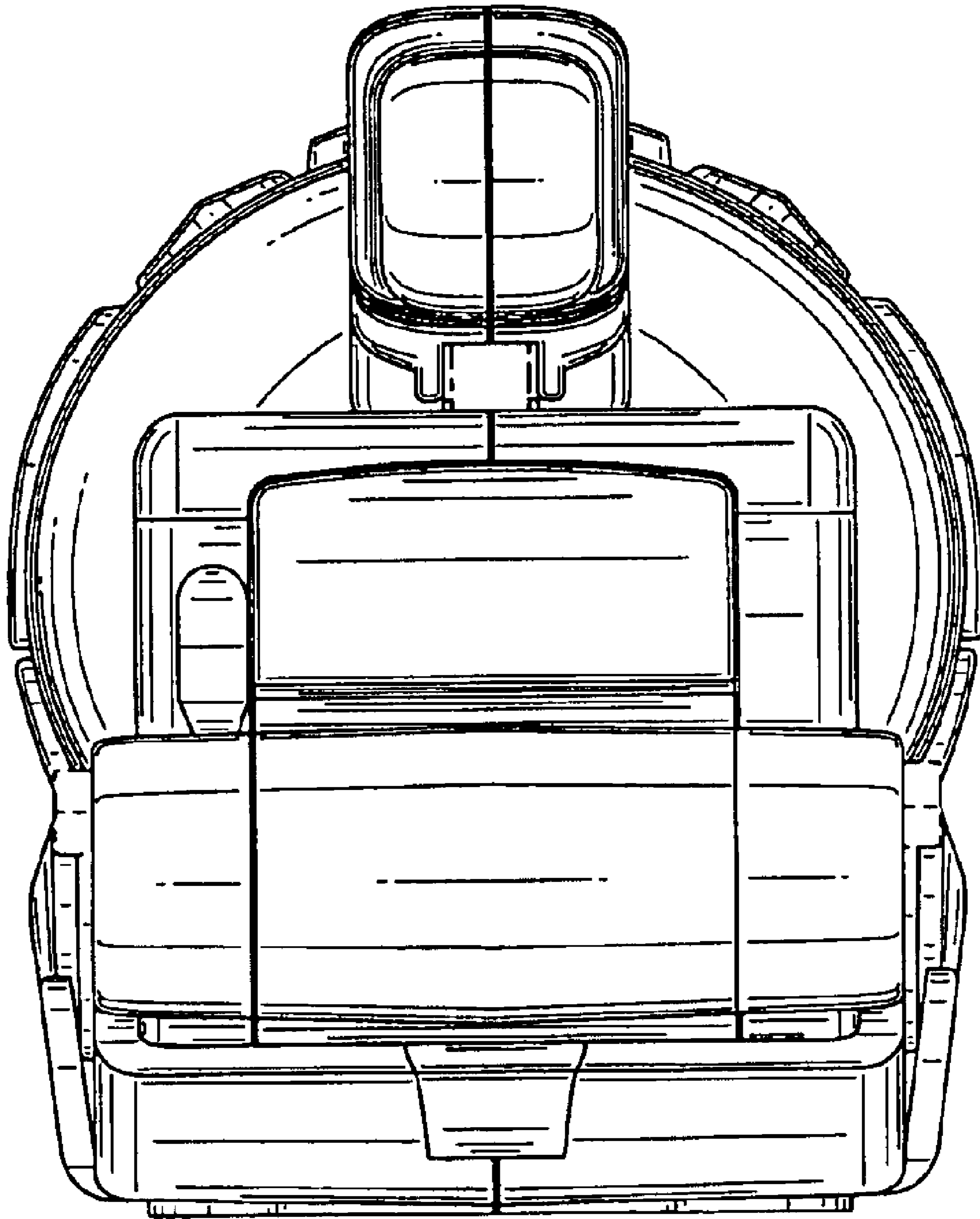


FIG. 10

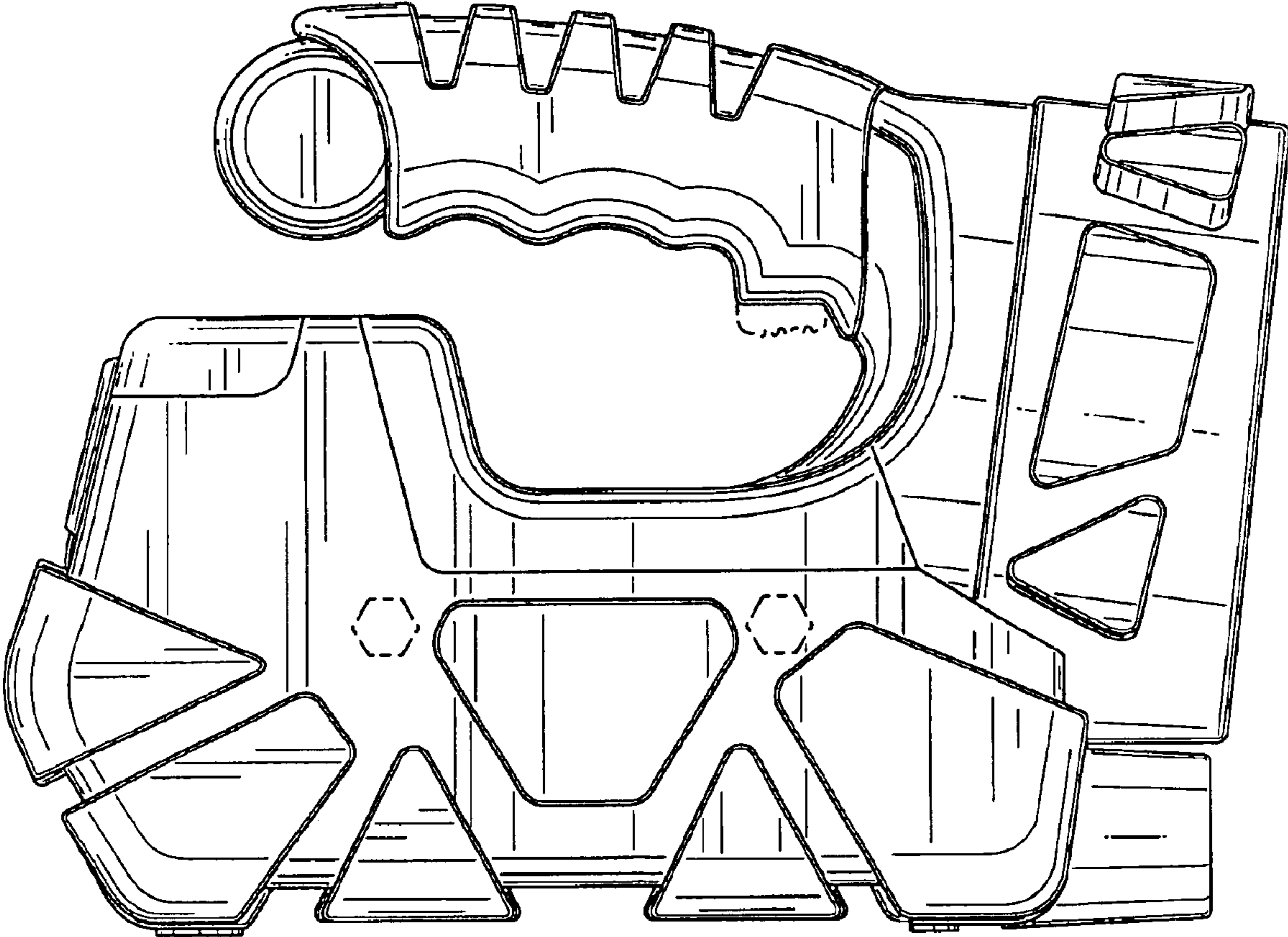


FIG. 11

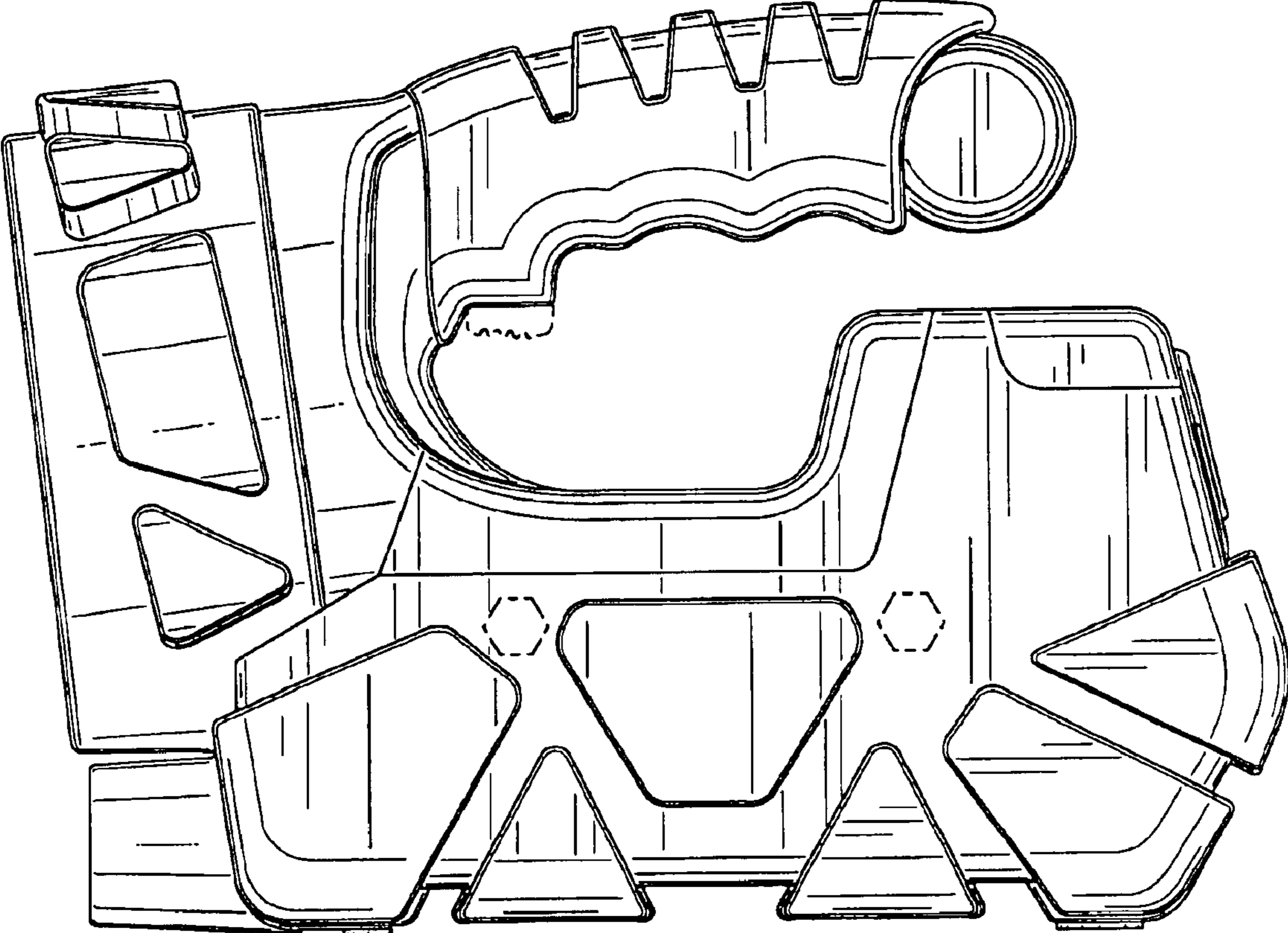


FIG. 12

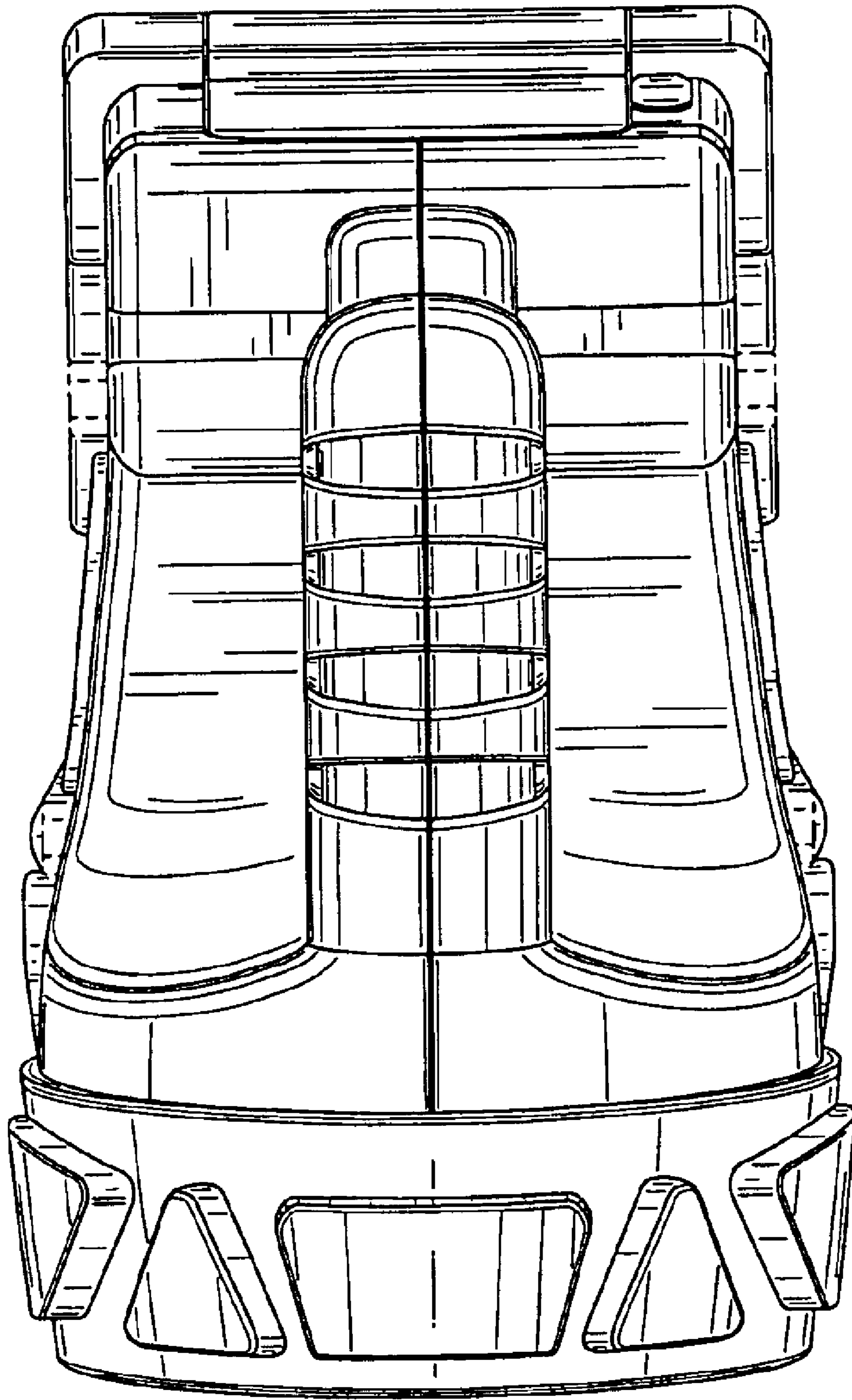


FIG. 13

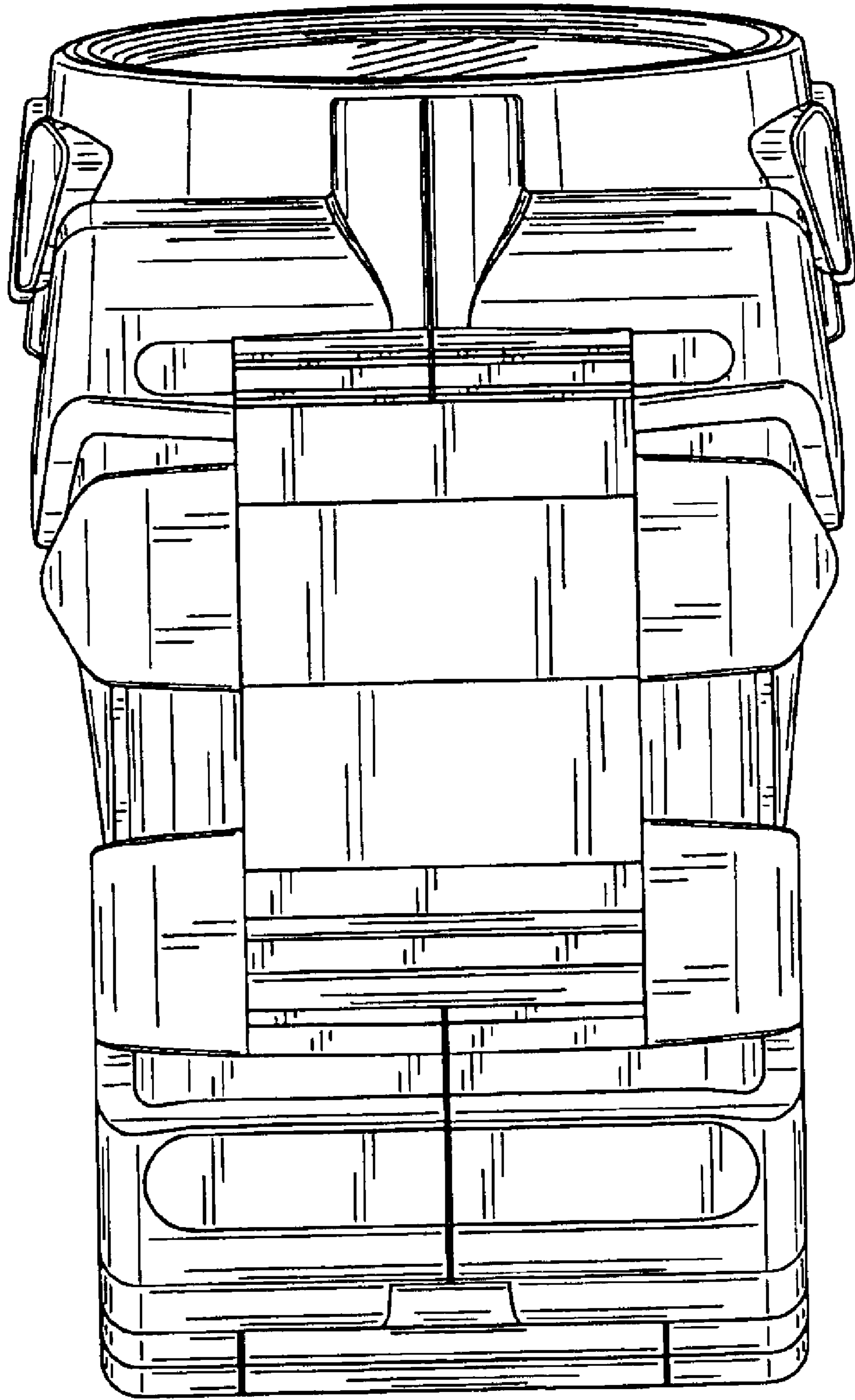


FIG. 14

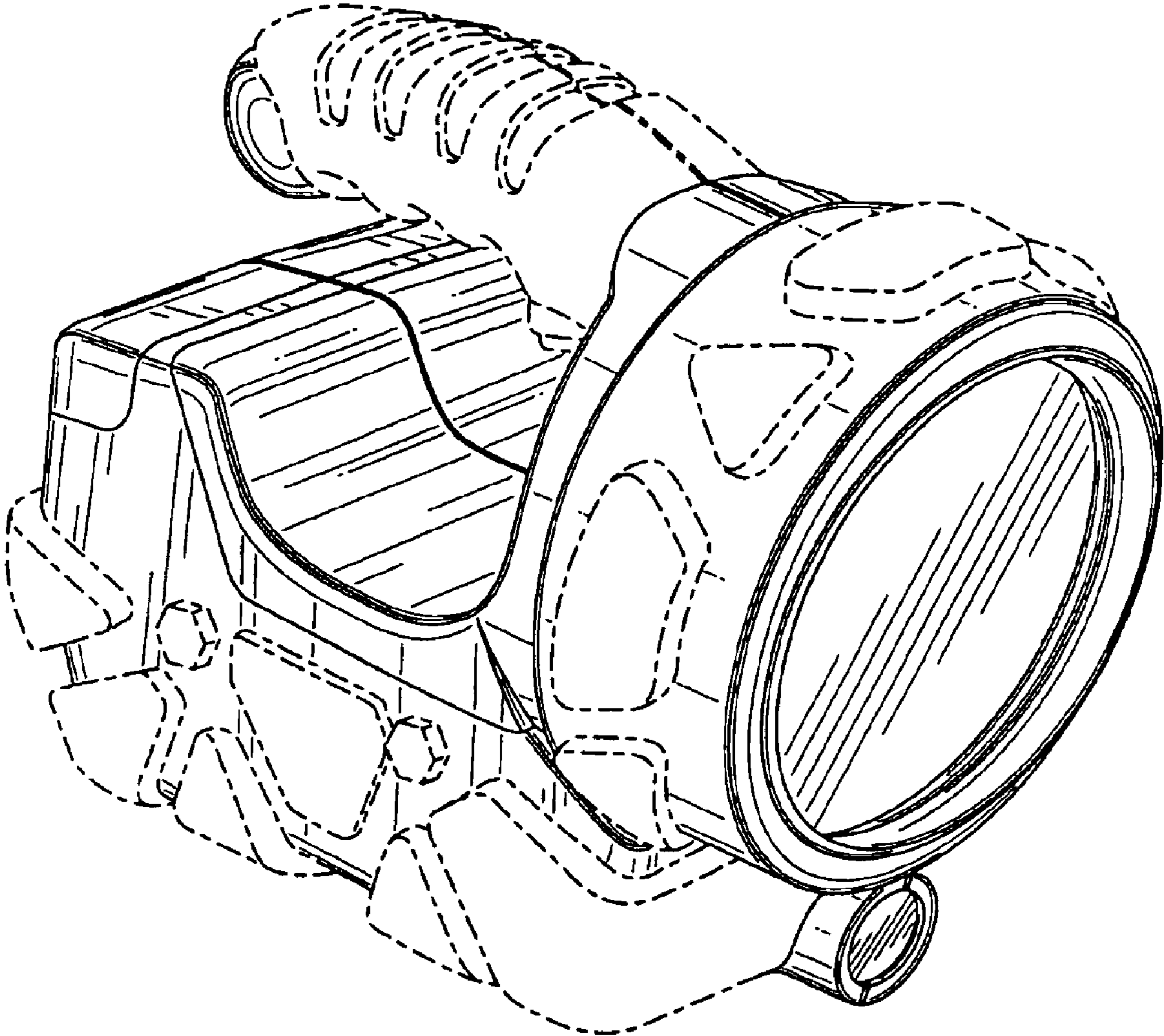


FIG. 15

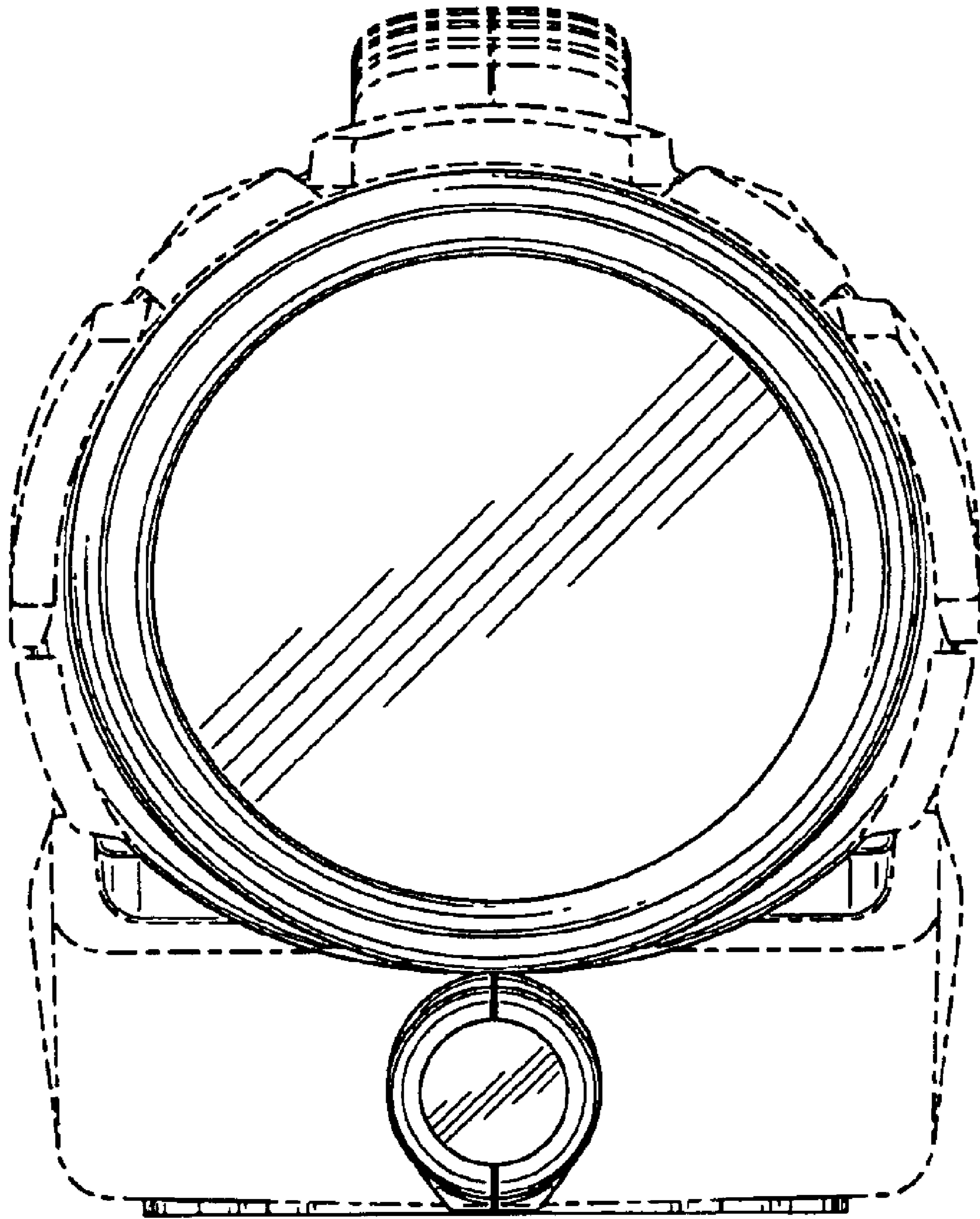


FIG. 16

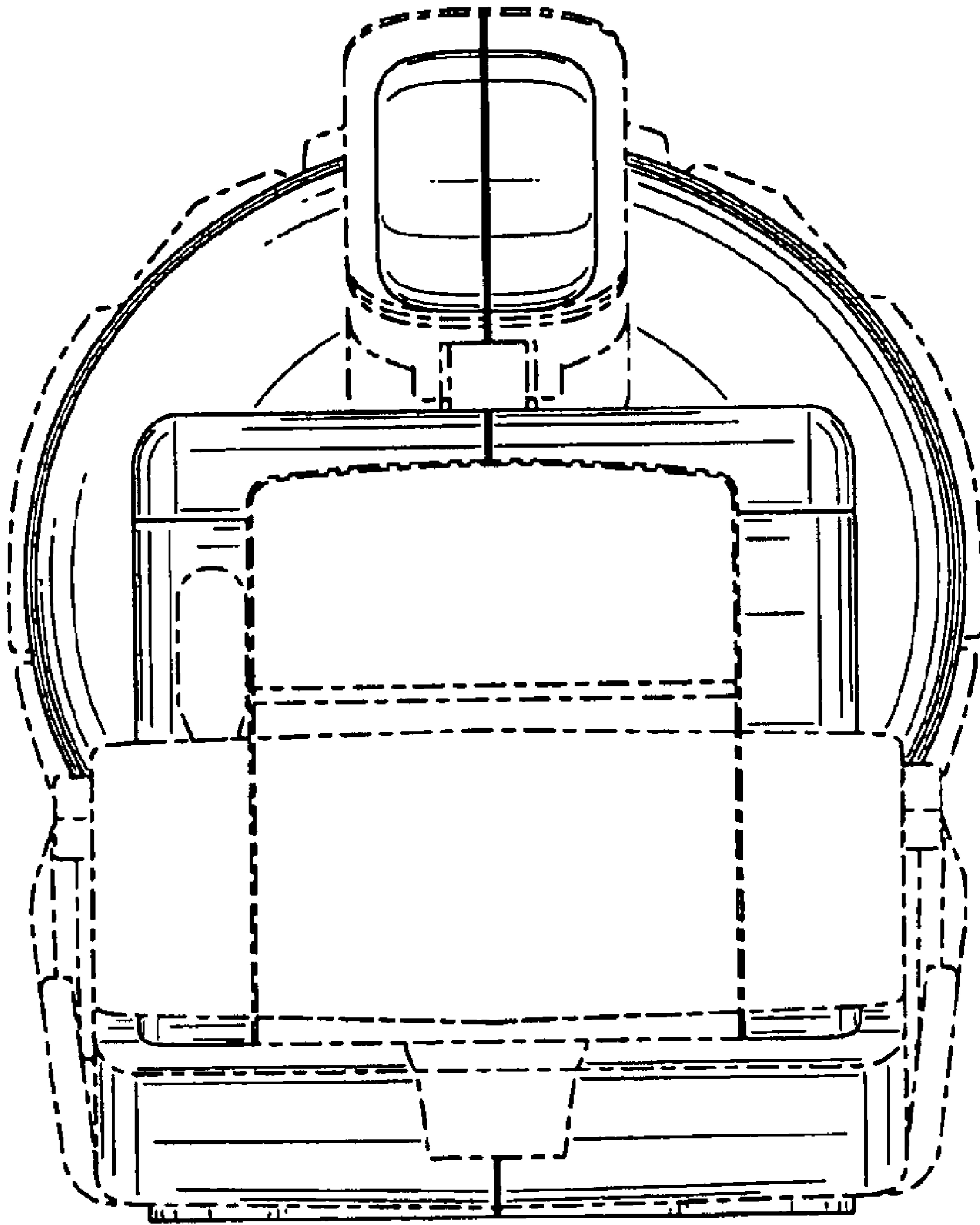


FIG. 17

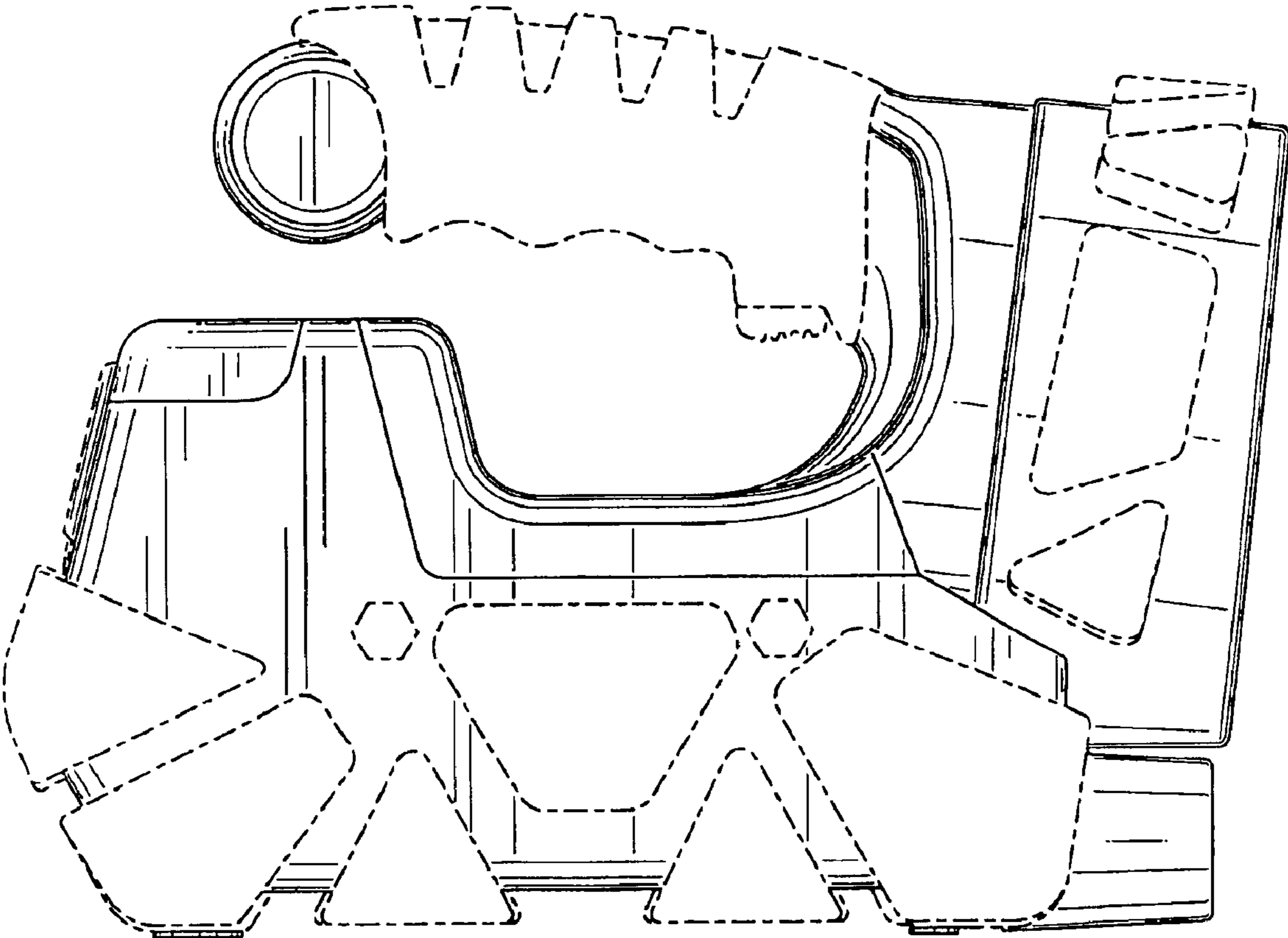


FIG. 18

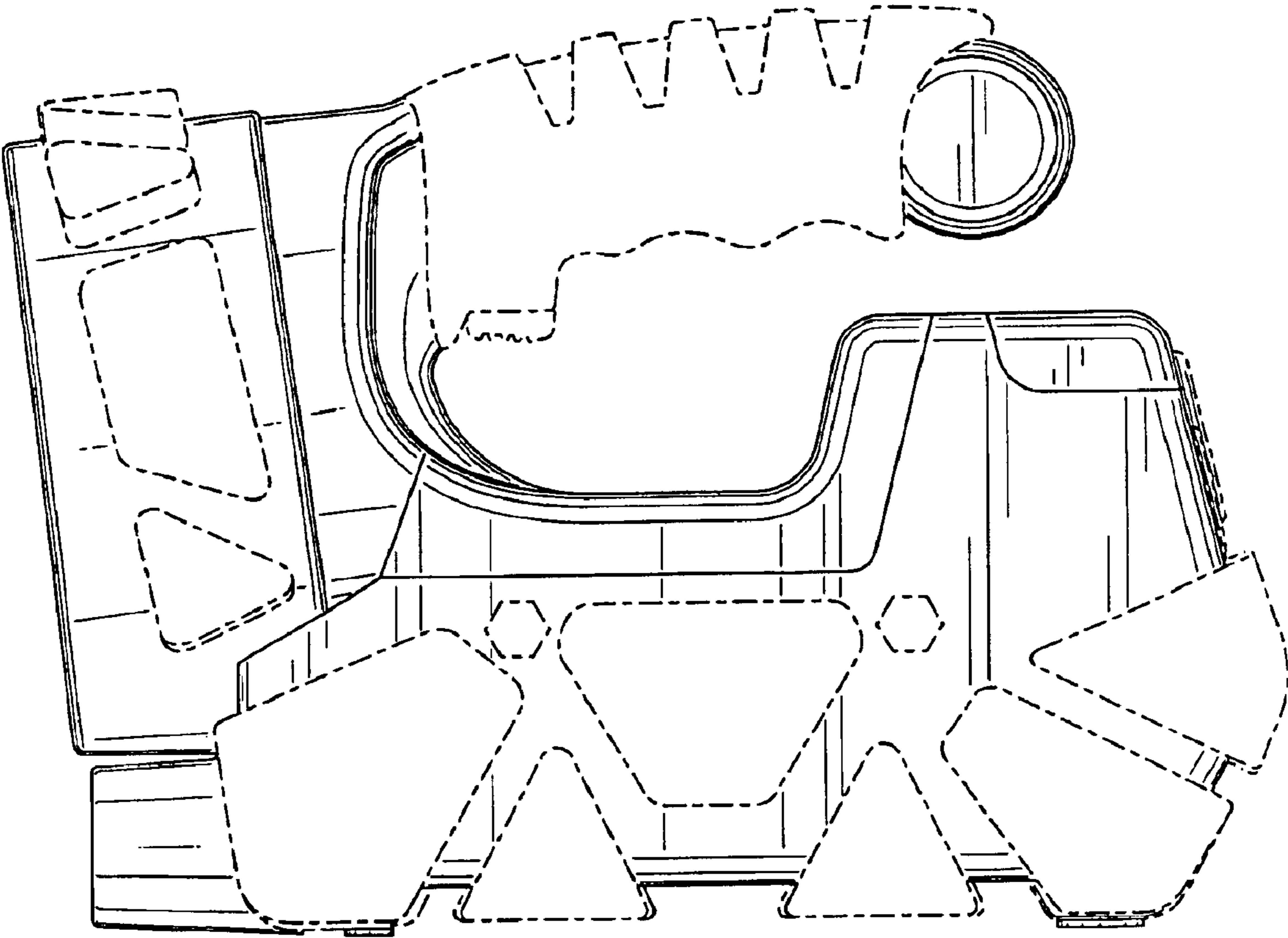


FIG. 19

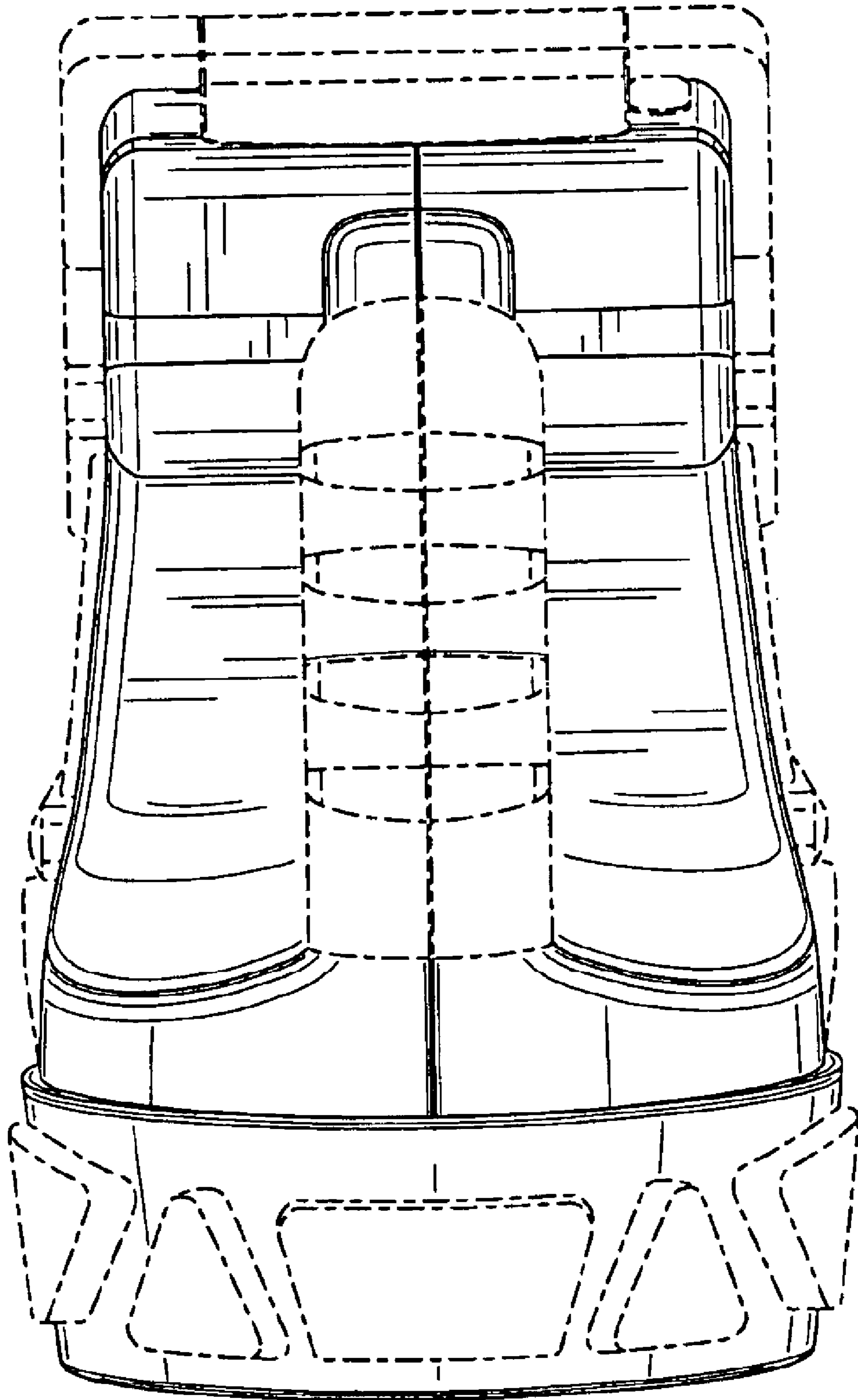


FIG. 20

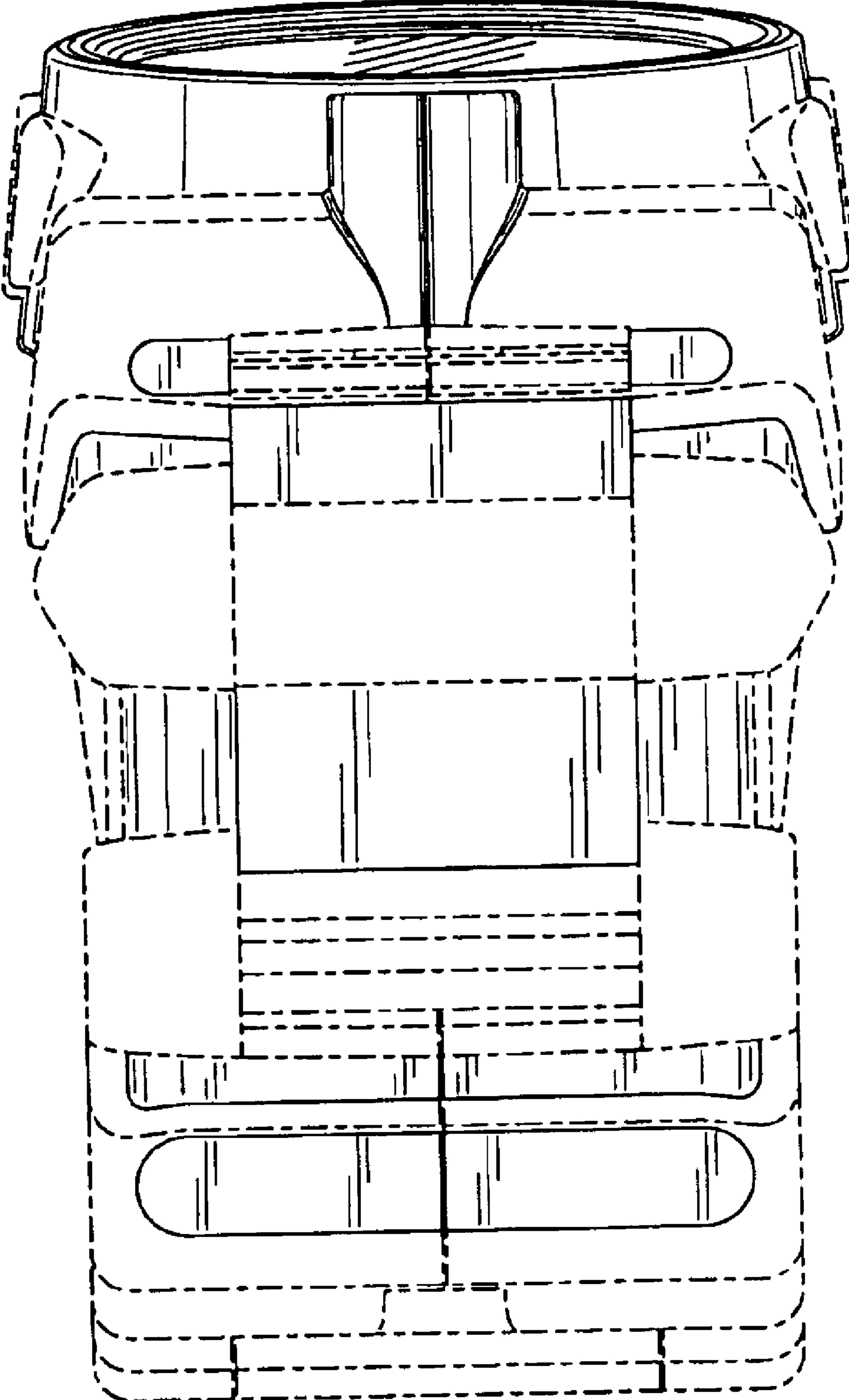


FIG. 21