



US00D511391S

(12) **United States Design Patent**  
**Altman**

(10) **Patent No.:** **US D511,391 S**

(45) **Date of Patent:** **\*\* Nov. 8, 2005**

(54) **TAXI ROOF LIGHT**

(75) Inventor: **Mark Altman**, New York, NY (US)

(73) Assignee: **Taxitronic, Inc.**, Long Island City, NY (US)

(\*\*) Term: **14 Years**

(21) Appl. No.: **29/191,296**

(22) Filed: **Oct. 3, 2003**

(51) **LOC (8) Cl.** ..... **26-06**

(52) **U.S. Cl.** ..... **D26/31; D20/10**

(58) **Field of Search** ..... D20/10, 15, 35,  
D20/39, 40, 99; D26/24, 30, 31, 32; 40/540,  
541, 542, 556, 584, 591, 592, 593, 618;  
362/811, 812; D12/190

(56) **References Cited**

**U.S. PATENT DOCUMENTS**

D152,399 S	*	1/1949	Dwinell	.....	D20/10
D152,433 S	*	1/1949	Pierce	.....	D20/10
3,242,329 A	*	3/1966	Abrams	.....	362/235
D245,940 S	*	9/1977	George	.....	D26/31
4,052,806 A	*	10/1977	George	.....	40/572
D255,726 S	*	7/1980	Leuthesser	.....	D26/31
D331,981 S	*	12/1992	Fischel et al.	.....	D26/31
D350,367 S	*	9/1994	McKelvey	.....	D20/10
D398,409 S	*	9/1998	Jessa	.....	D26/31

D460,985 S	*	7/2002	Horvath et al.	.....	D20/10
D480,112 S	*	9/2003	Santolaya	.....	D20/10
D480,432 S	*	10/2003	Newman	.....	D20/10

\* cited by examiner

*Primary Examiner*—Robert M. Spear

(74) *Attorney, Agent, or Firm*—Howard C. Miskin, Esq.;  
Gloria Tsui-Yip, Esq.

(57) **CLAIM**

The ornamental design for a taxi roof light, as shown and described.

**DESCRIPTION**

FIG. 1 is a perspective view of a taxi roof light showing my new design;

FIG. 2 is a right side view thereof, the left side view being identical;

FIG. 3 is a top plan view thereof;

FIG. 4 is a front view thereof, the rear view being identical;

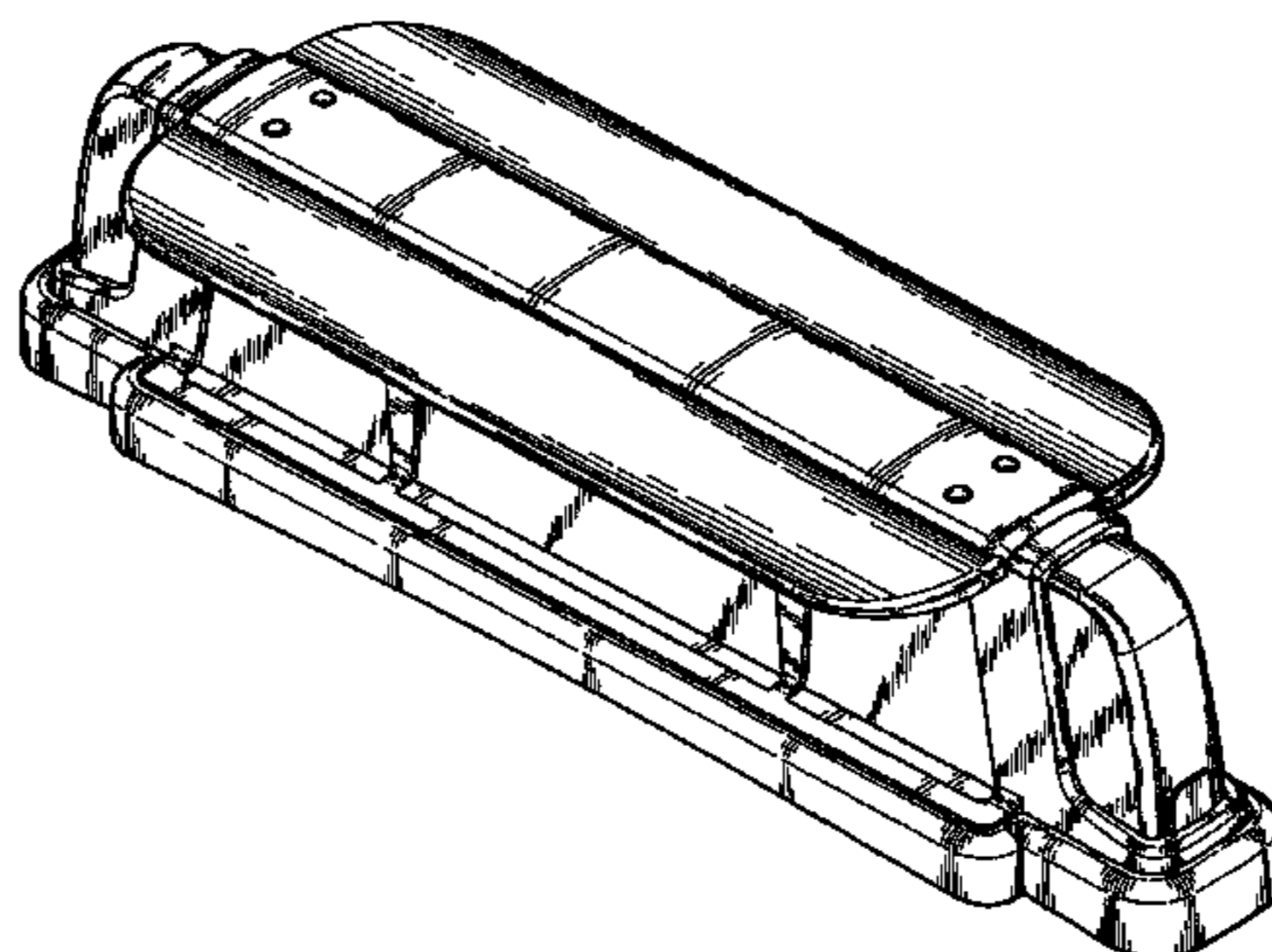
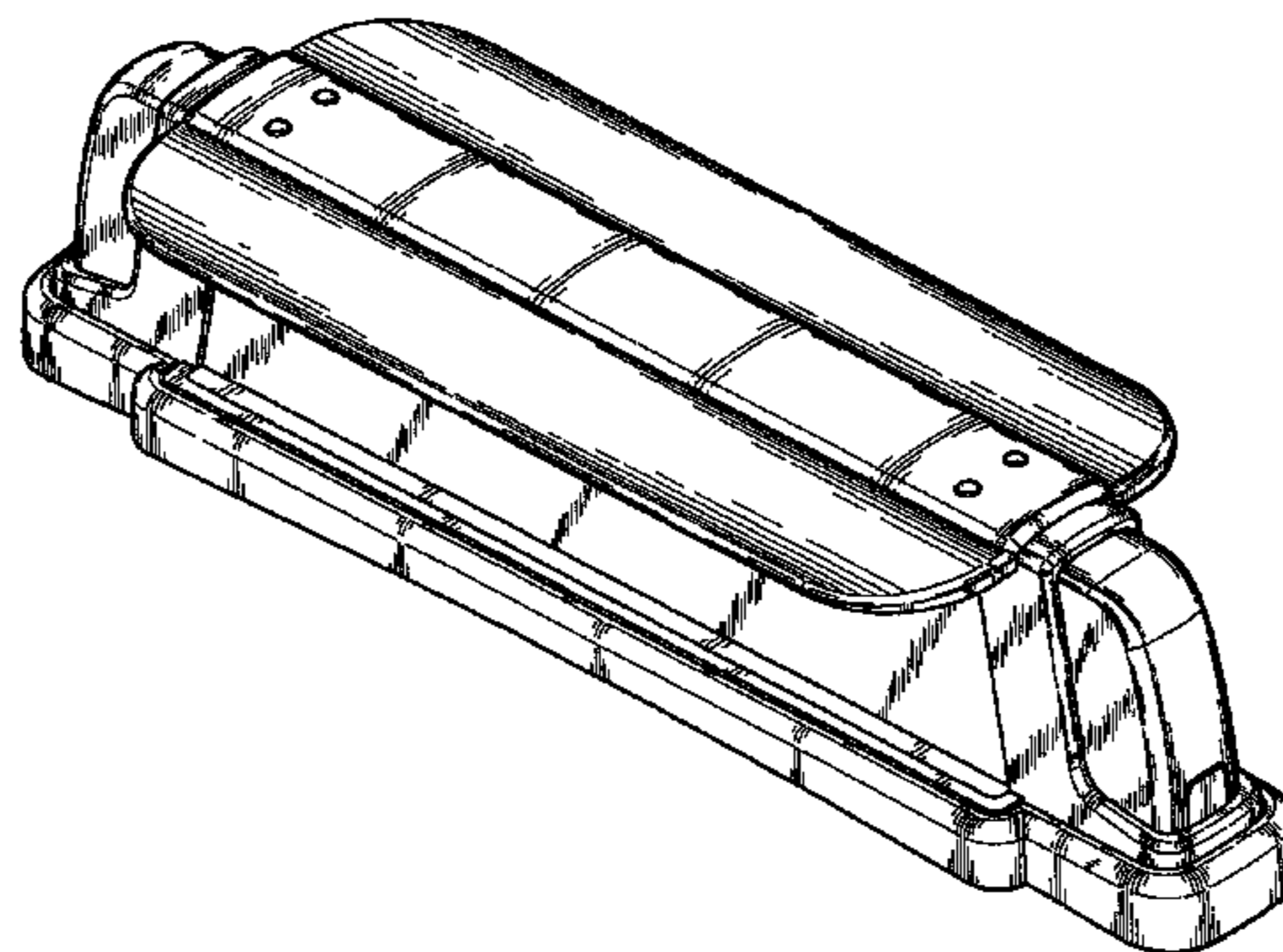
FIG. 5 is a bottom plan view thereof;

FIG. 6 is a perspective view of a second embodiment of my new design; and,

FIG. 7 is a right side view thereof, the left side view being identical.

The broken lines shown in FIG. 5 are for illustrative purposes only and form no part of the claimed design.

**1 Claim, 7 Drawing Sheets**



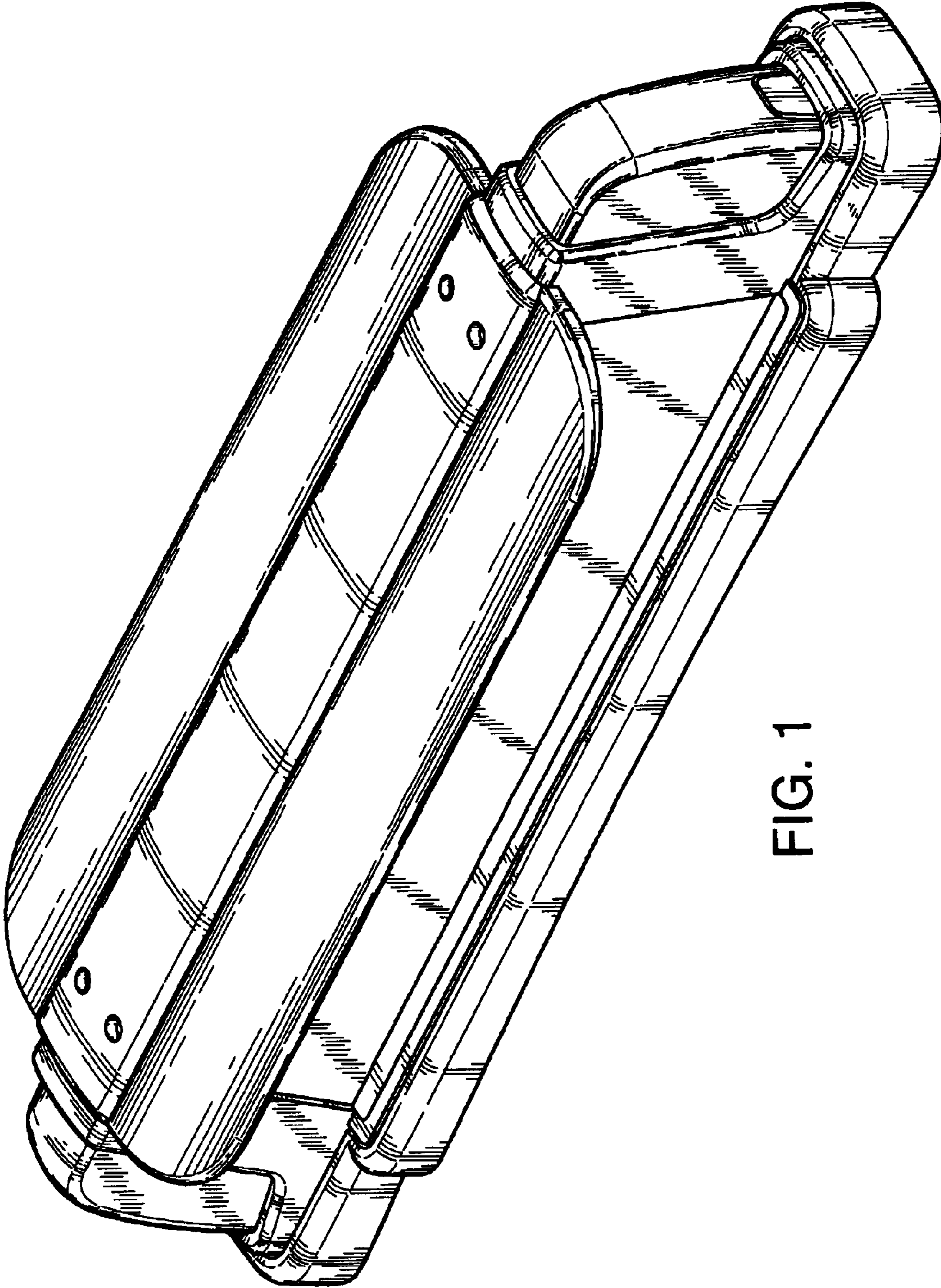


FIG. 1

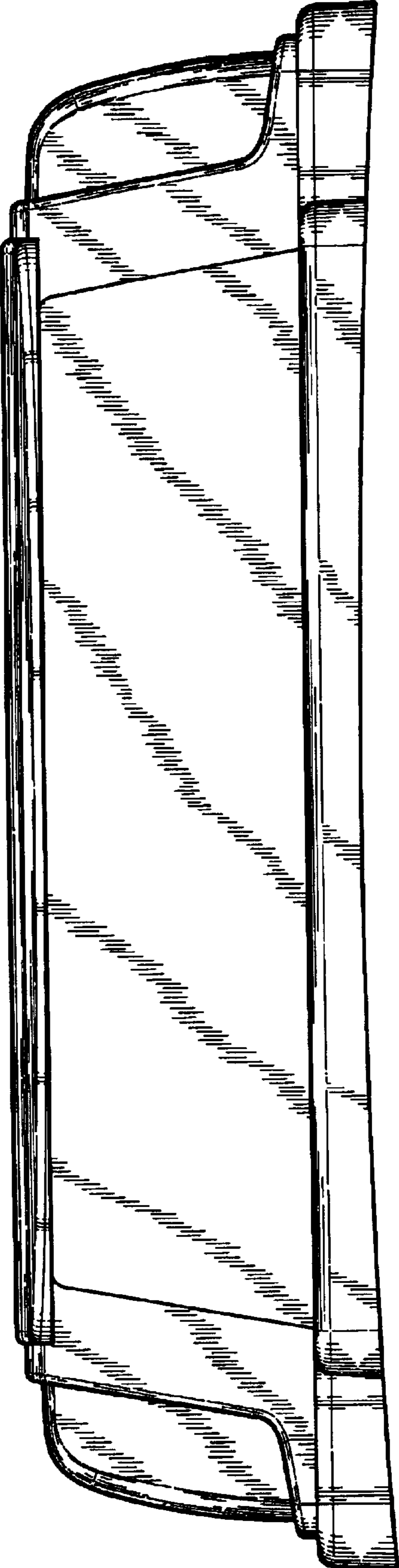


FIG. 2

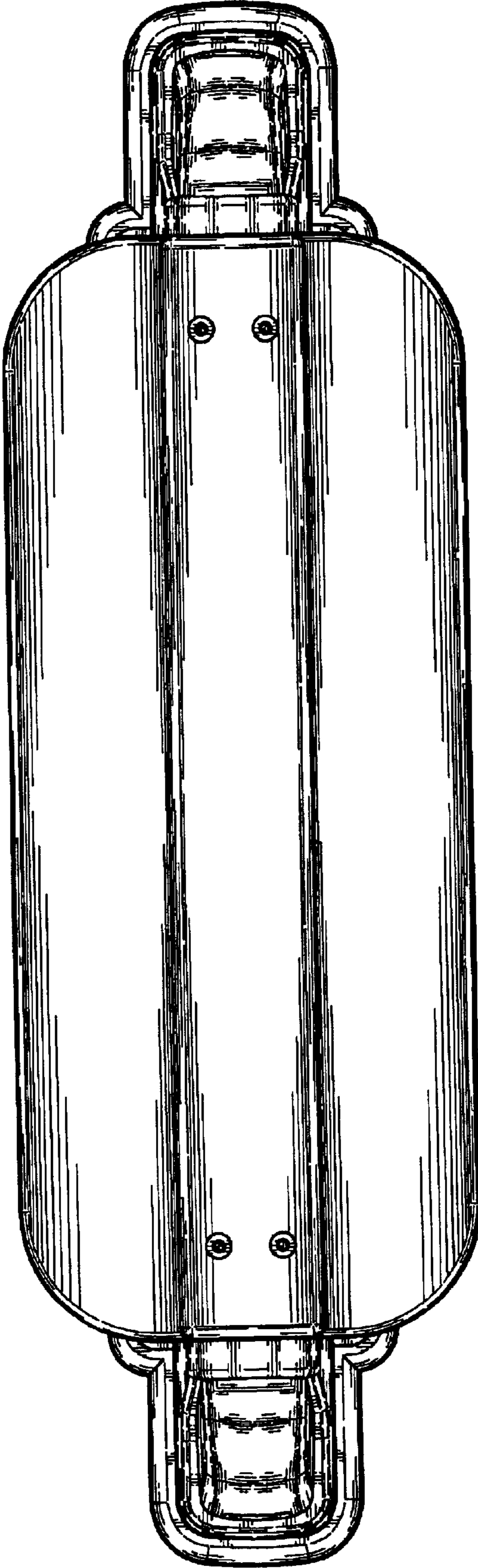


FIG. 3

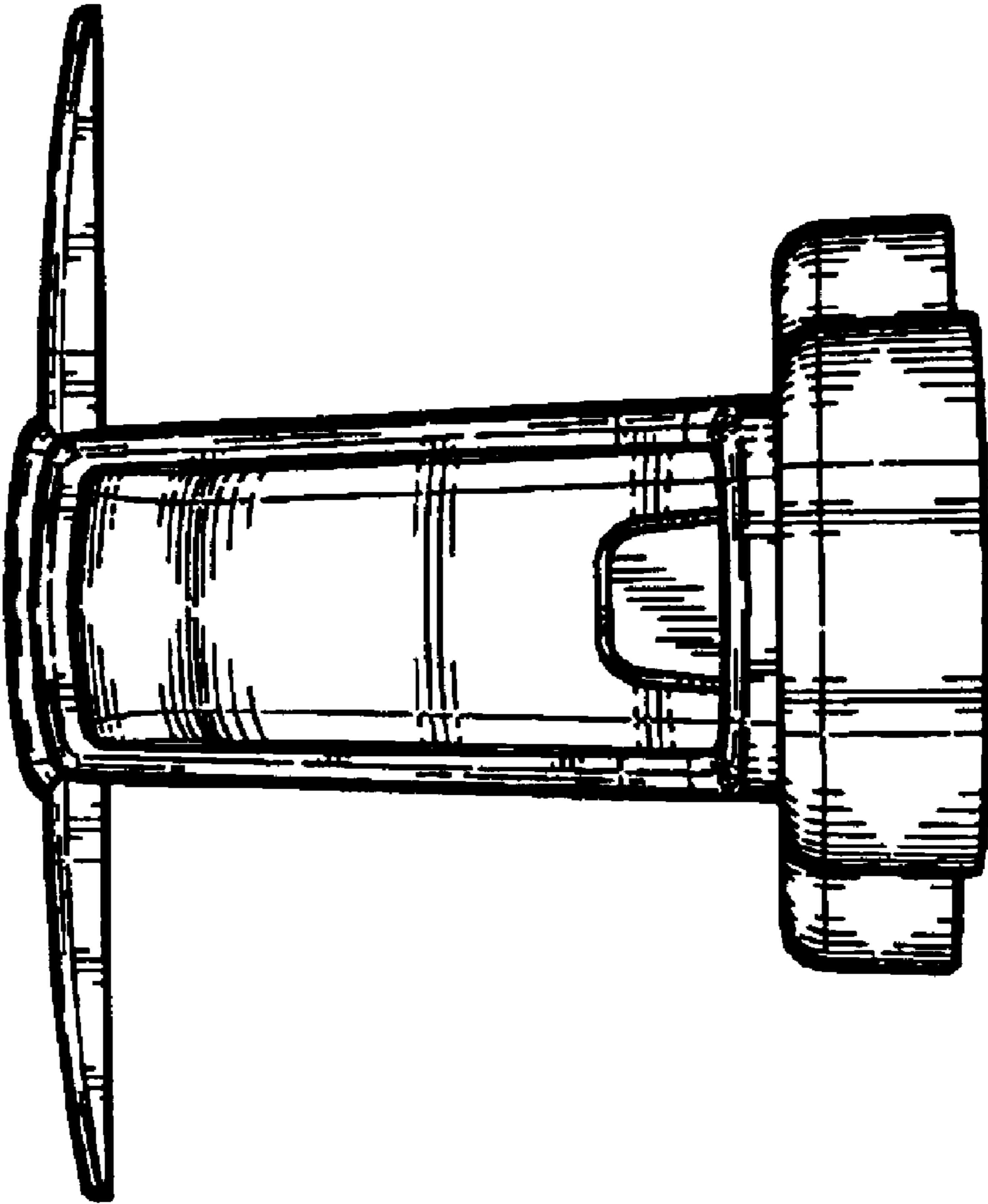


FIG. 4

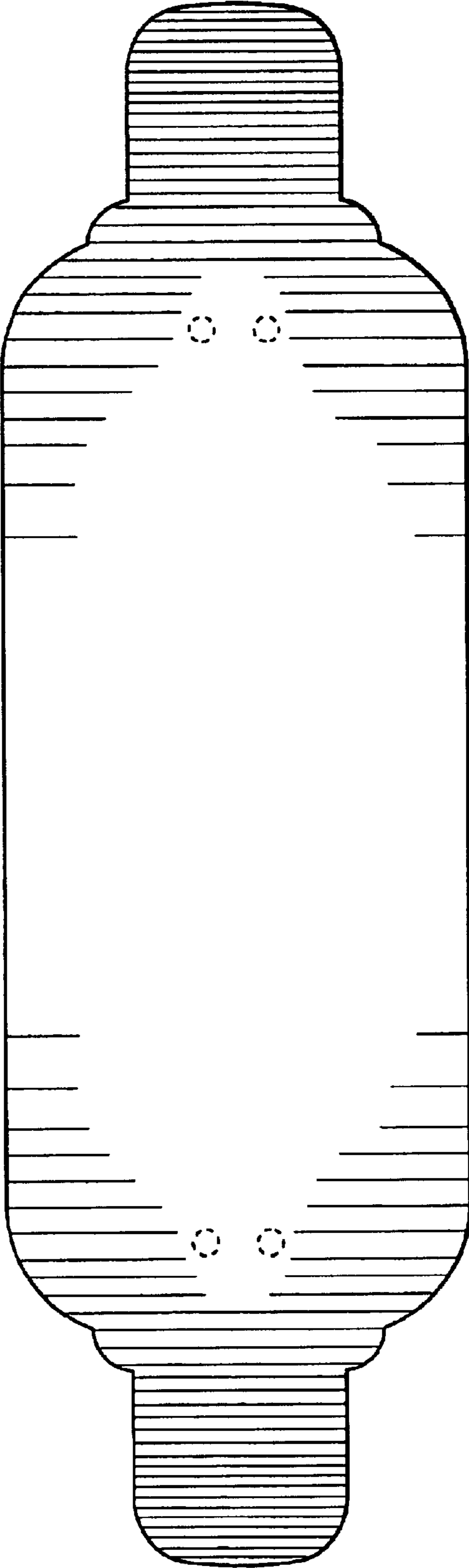


FIG. 5

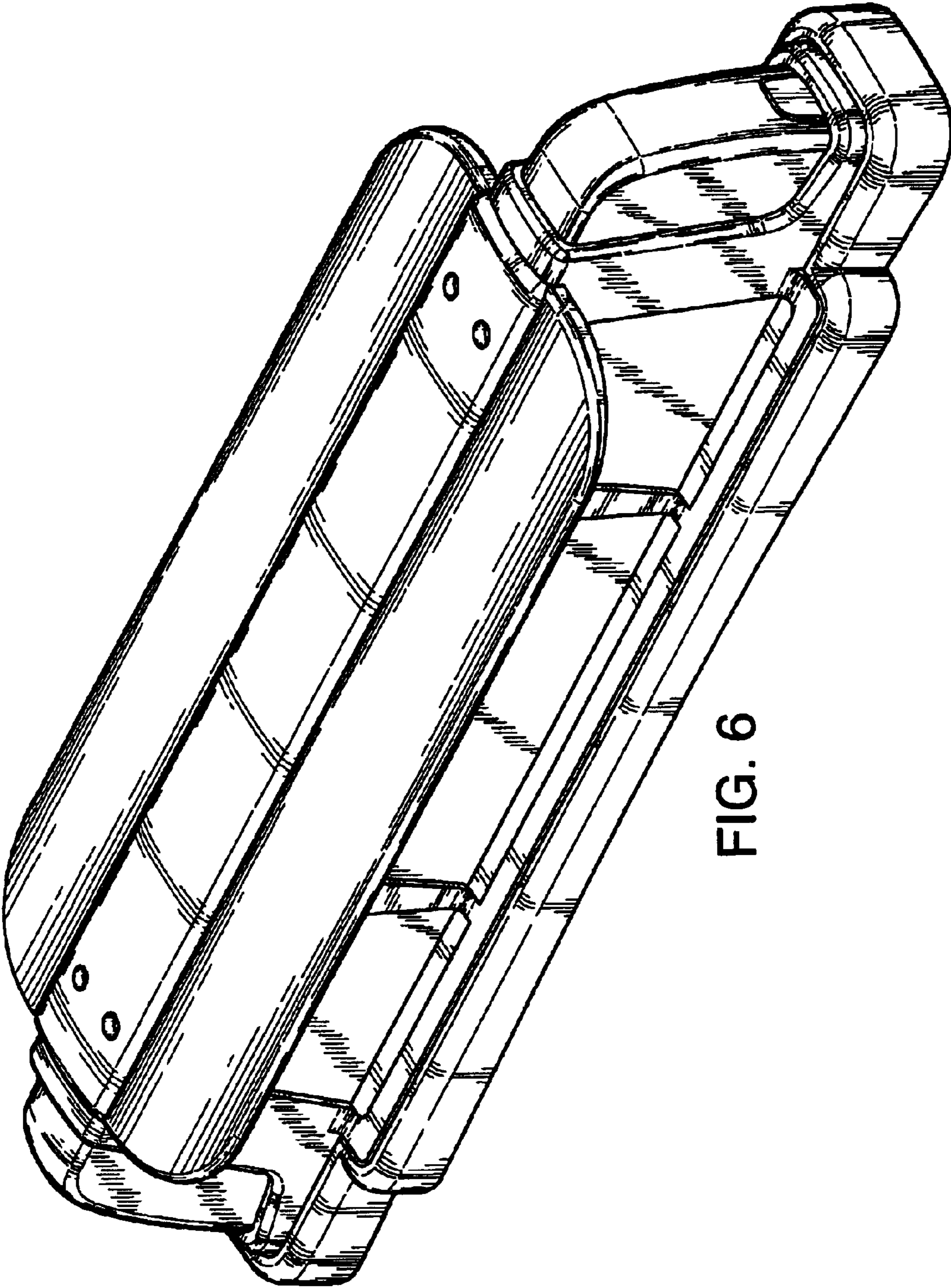


FIG. 6

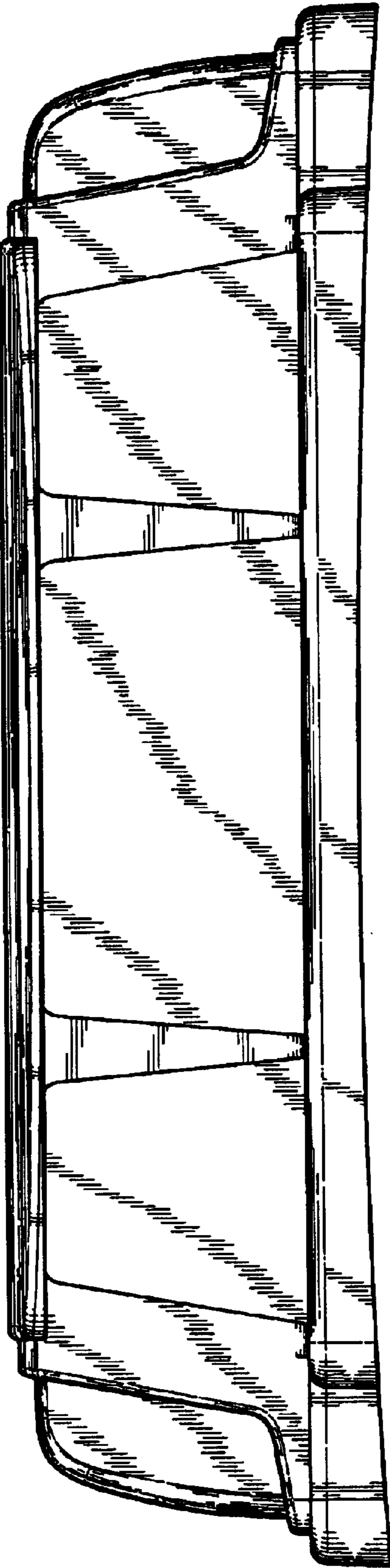


FIG. 7