

US00D511387S

(12) **United States Design Patent**
Beach

(10) **Patent No.:** **US D511,387 S**

(45) **Date of Patent:** **** Nov. 8, 2005**

(54) **CONCRETE BRIDGE UNIT WITH INTEGRAL FOOTERS**

6,205,605 B1 * 3/2001 Orsat 14/26

* cited by examiner

(75) Inventor: **Timothy J. Beach**, Beavercreek, OH (US)

Primary Examiner—Doris Clark

(74) *Attorney, Agent, or Firm*—Jacox, Meckstroth & Jenkins

(73) Assignee: **Con/Span Bridge Systems Ltd.**, Dayton, OH (US)

(57) **CLAIM**

(**) Term: **14 Years**

The ornamental design of a concrete bridge unit with integral footers, as shown and described.

(21) Appl. No.: **29/200,559**

DESCRIPTION

(22) Filed: **Mar. 1, 2004**

(51) **LOC (8) Cl.** **25-03**

FIG. 1 is a perspective view of a concrete bridge unit with integral footers and showing my new design;

(52) **U.S. Cl.** **D25/1**

FIG. 2 is an end view thereof, the opposite end view being the same;

(58) **Field of Search** D25/1; 14/77.1, 14/24, 26

FIG. 3 is a top view thereof; and,

FIG. 4 is a side view thereof, the opposite side view being the same.

(56) **References Cited**

U.S. PATENT DOCUMENTS

D356,163 S * 3/1995 Ryan D25/1

1 Claim, 1 Drawing Sheet

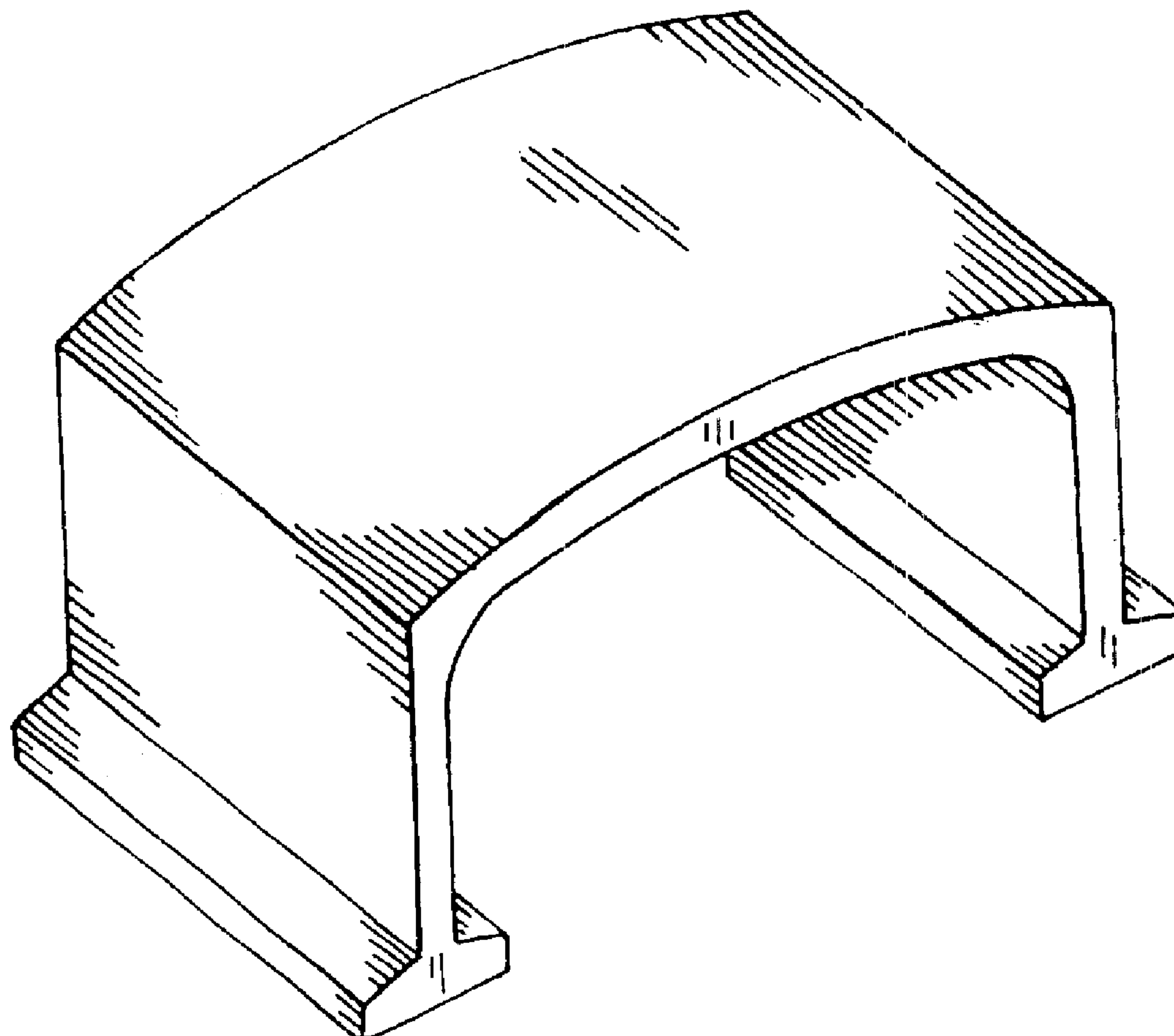


FIG-1

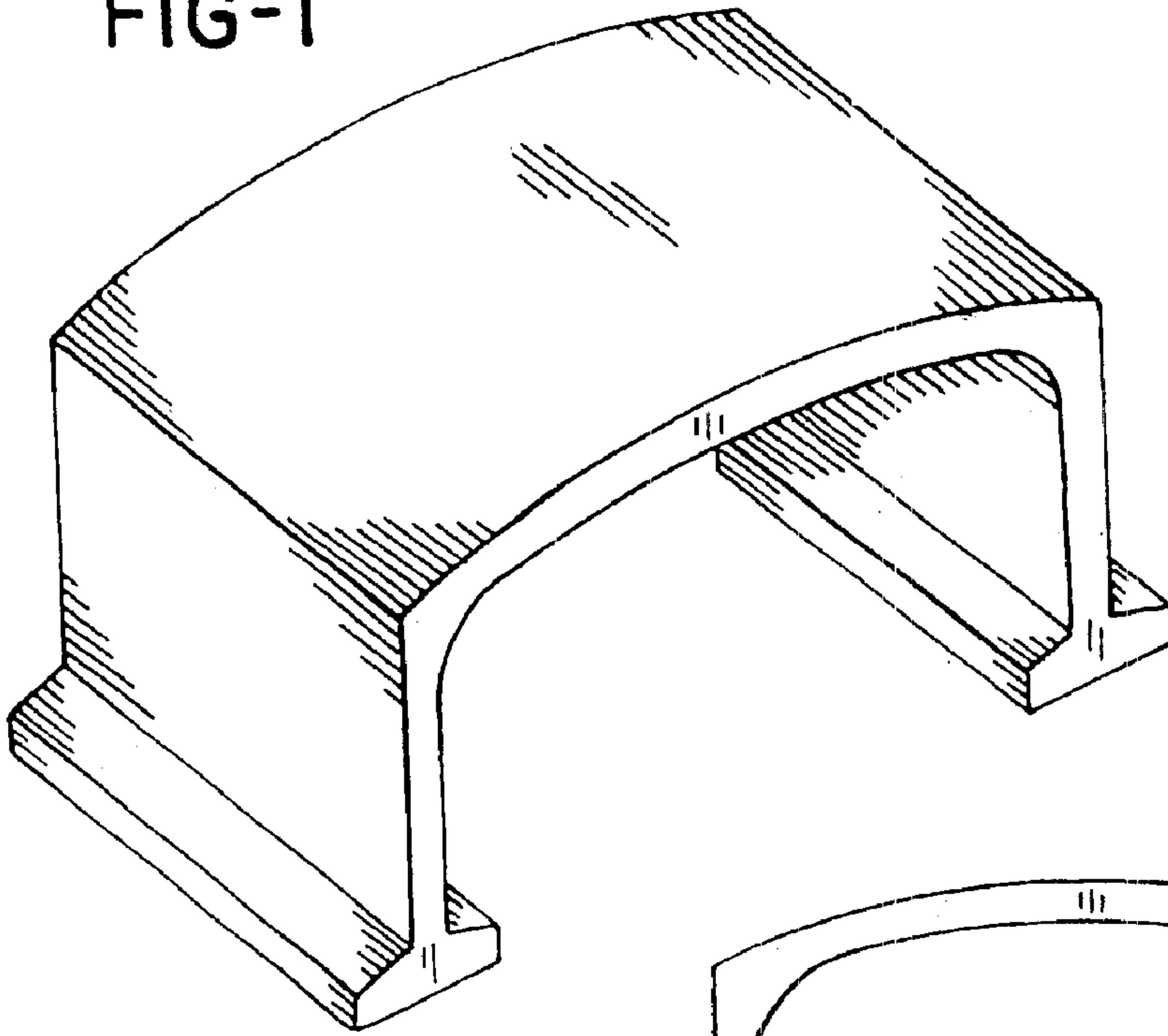


FIG-2

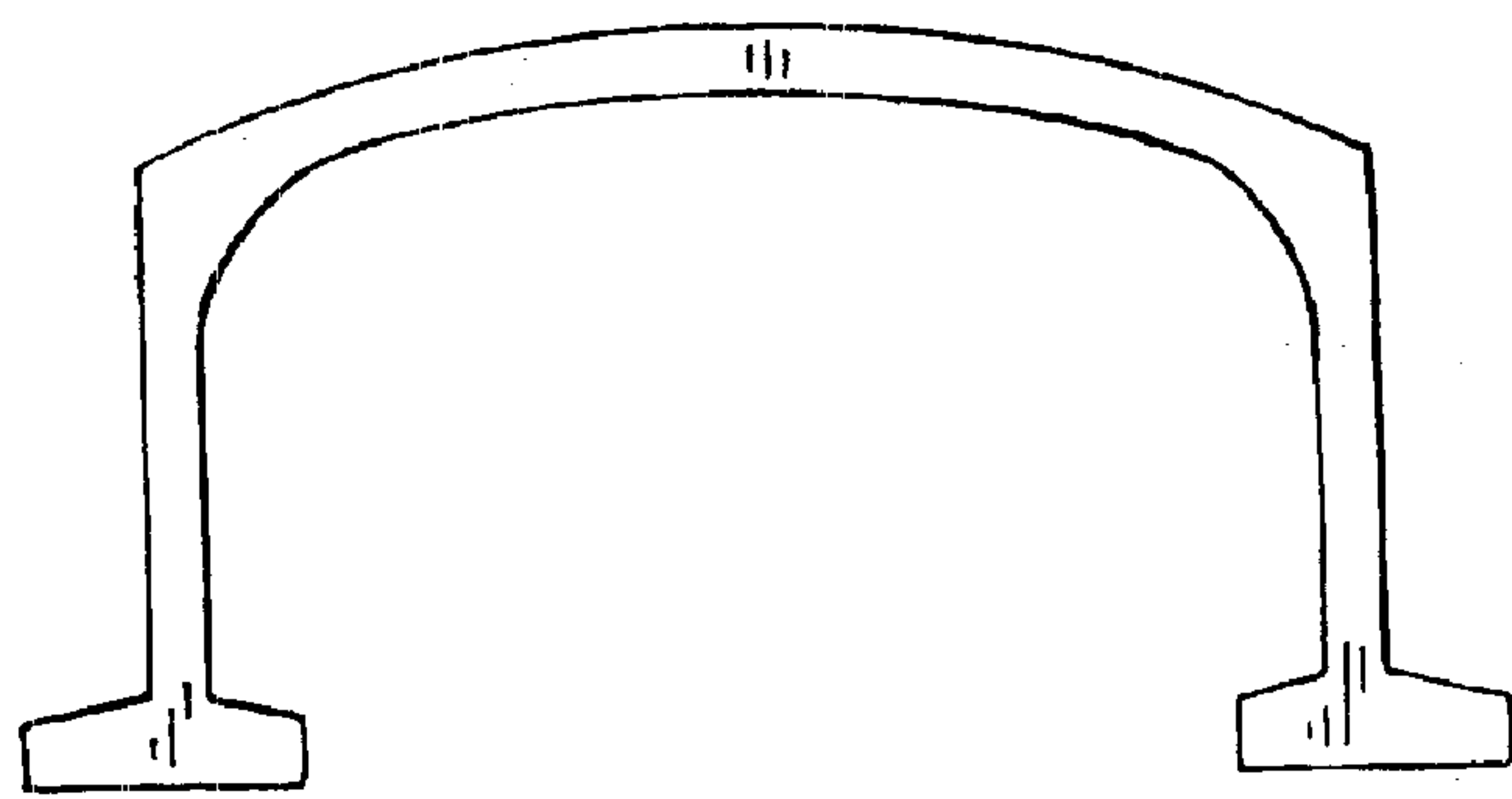


FIG-3

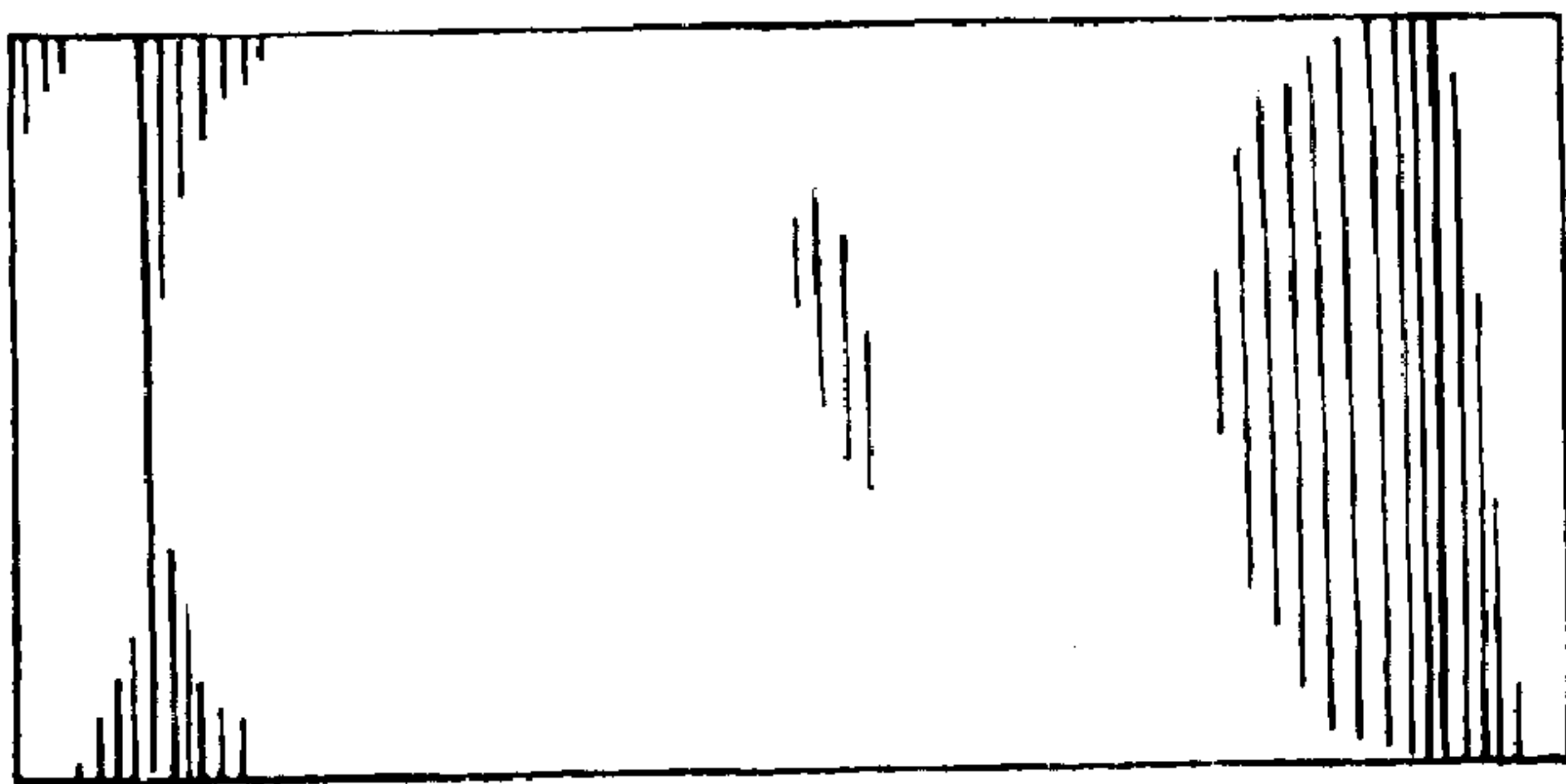


FIG-4

