



US00D511378S

(12) **United States Design Patent**
Marshall

(10) **Patent No.:** **US D511,378 S**
(45) **Date of Patent:** **** Nov. 8, 2005**

(54) **MOTOR HOUSING FOR A CEILING FAN**

D497,987 S * 11/2004 Marshall D23/411

(76) Inventor: **John C. Marshall**, 6249 Thibodeaux Rd, Greenwell Springs, LA (US) 70739

* cited by examiner

Primary Examiner—Lisa Lichtenstein
(74) *Attorney, Agent, or Firm*—Berenato, White & Stavish, LLC

(**) Term: **14 Years**

(21) Appl. No.: **29/212,004**

(57) **CLAIM**

(22) Filed: **Aug. 26, 2004**

The ornamental design for a motor housing for a ceiling fan, as shown and described.

(51) **LOC (8) Cl.** **23-04**

DESCRIPTION

(52) **U.S. Cl.** **D23/411**

FIG. 1 is a bottom plan view of a motor housing for a ceiling fan;

(58) **Field of Search** D23/377, 379,

D23/385, 411; 416/5; 392/364

FIG. 2 is an enlarged plan view; and,

FIG. 3 is an enlarged top perspective view.

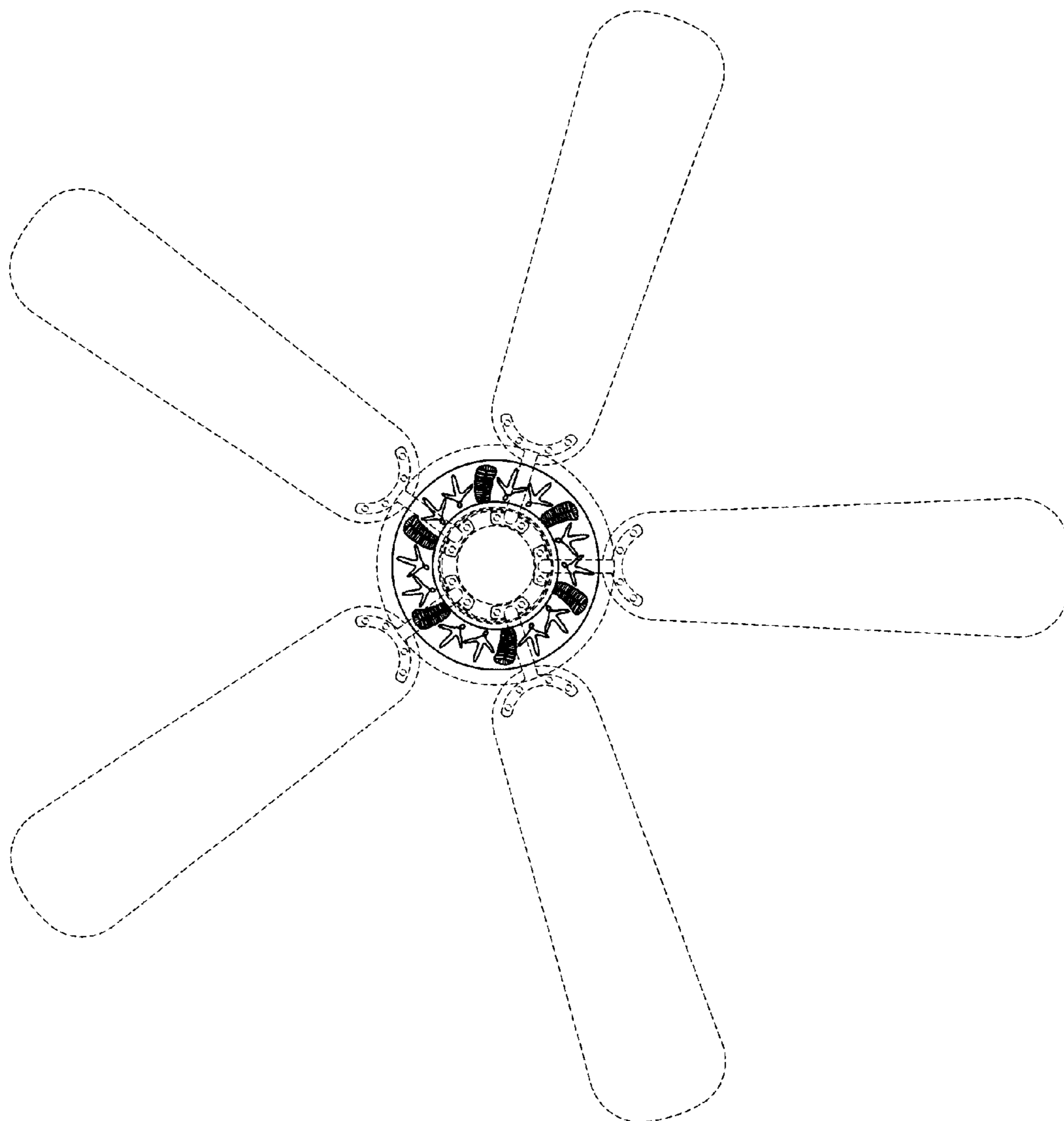
The broken line showing is for illustrative purposes only and forms no part of the claimed invention.

(56) **References Cited**

U.S. PATENT DOCUMENTS

D370,971 S * 6/1996 Wu D23/411

1 Claim, 3 Drawing Sheets



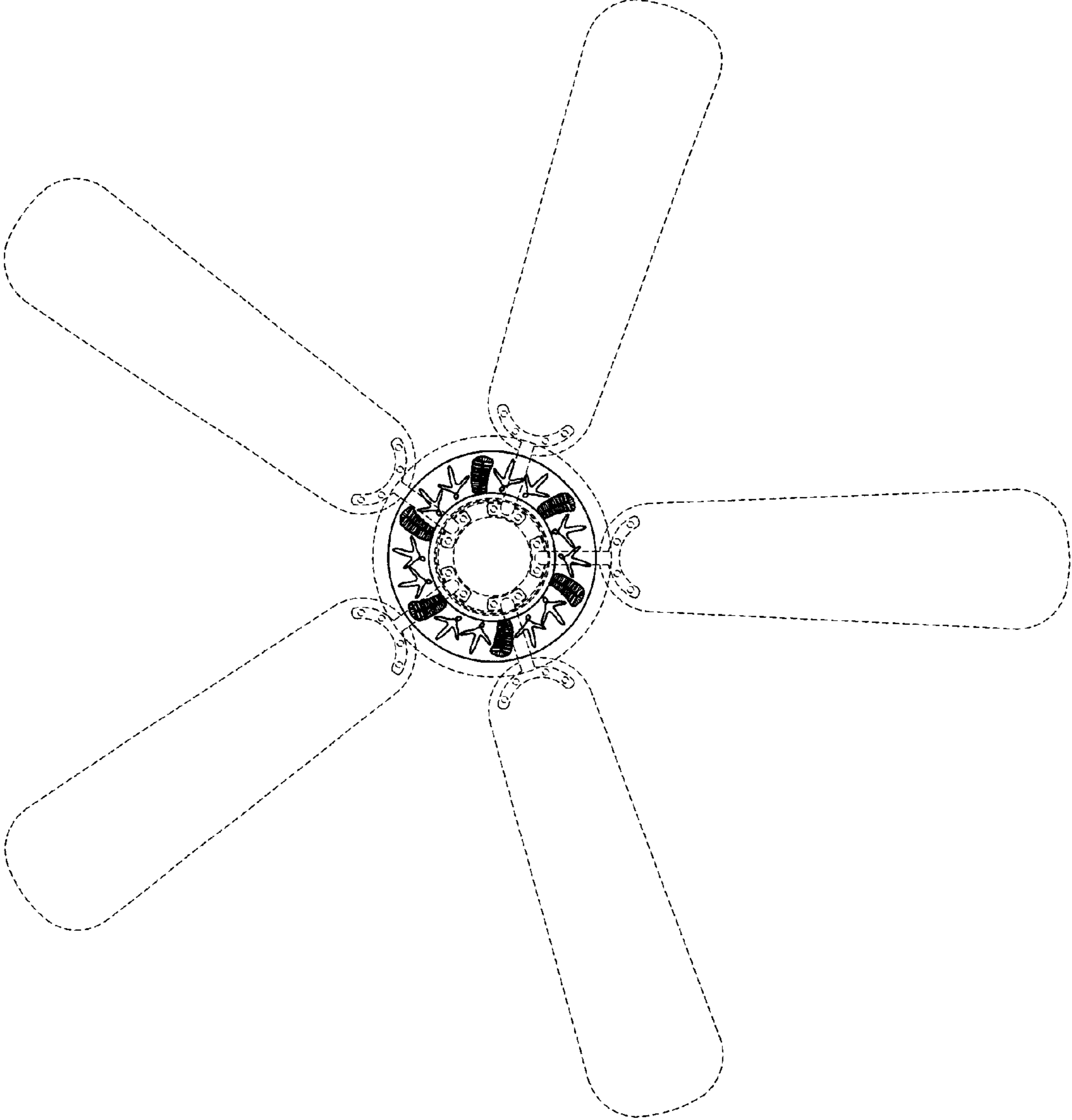


Fig. 1

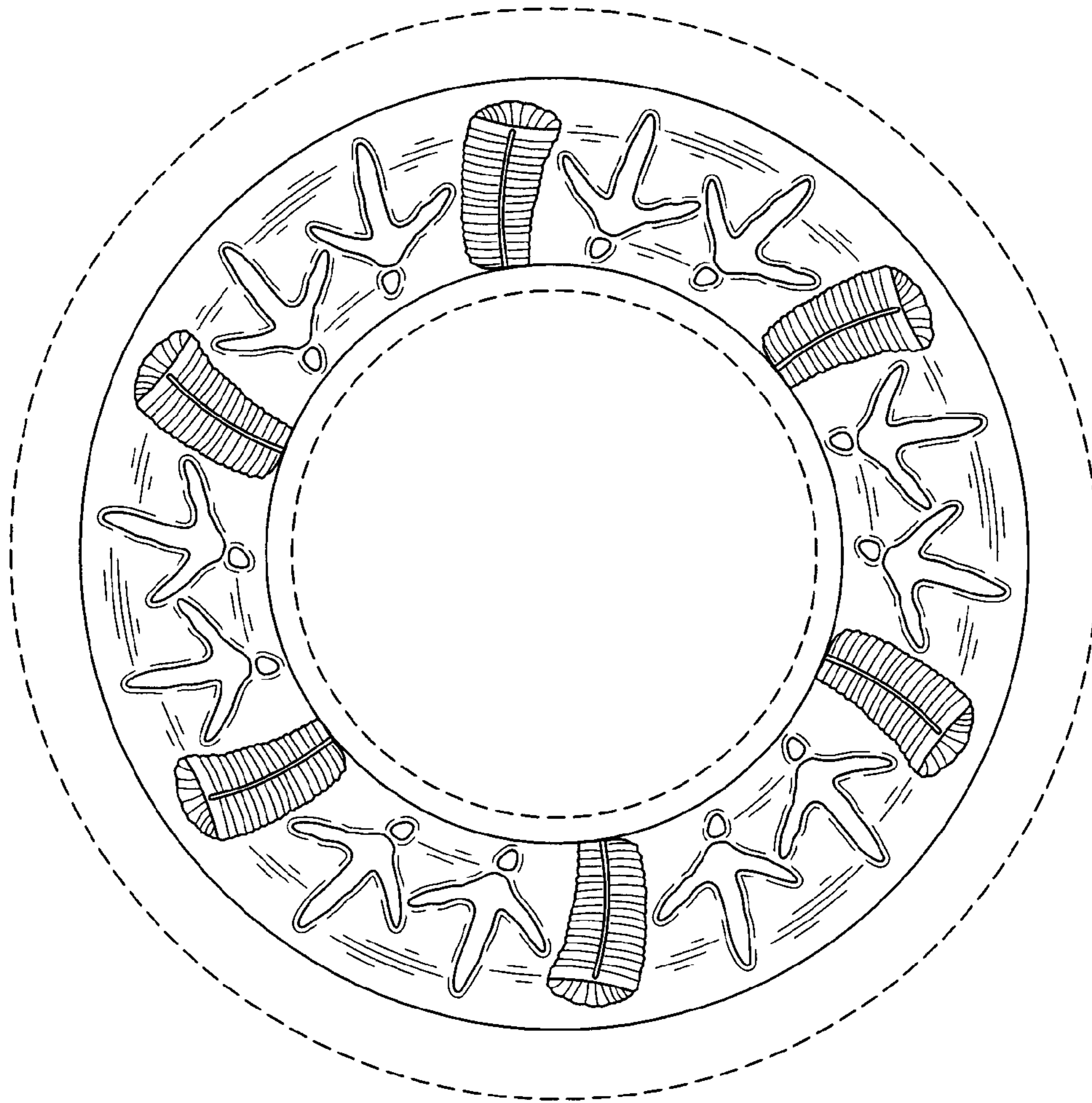


Fig. 2

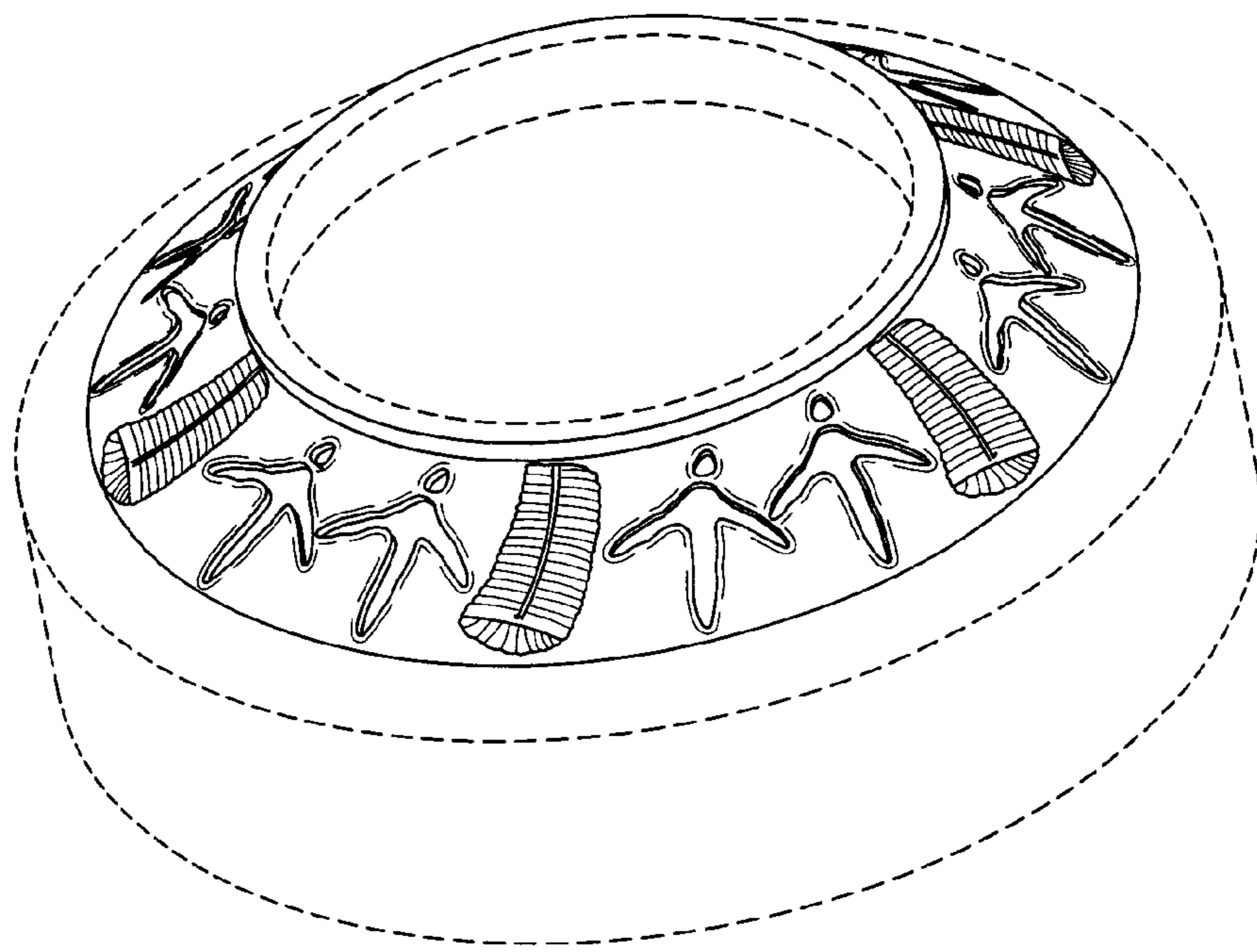


Fig. 3