



US00D511376S

(12) **United States Design Patent** (10) **Patent No.:** **US D511,376 S**
Young (45) **Date of Patent:** **** Nov. 8, 2005**

(54) **CEILING FAN**

(75) Inventor: **Stanfield Young**, Garden Grove, CA (US)

(73) Assignee: **Minka Lighting, Inc.**, Corona, CA (US)

(**) Term: **14 Years**

(21) Appl. No.: **29/193,873**

(22) Filed: **Nov. 13, 2003**

(51) **LOC (8) Cl.** **23-04**

(52) **U.S. Cl.** **D23/377**

(58) **Field of Search** D23/377, 379, D23/385, 411, 413; 416/5

U.S. Appl. No. 29/191,015 filed Sep. 29, 2003, Stanfield Young.

U.S. Appl. No. 29/191,033 filed Sep. 29, 2003, Stanfield Young.

Minka Aire Two Thousand Two; pp. 2, 3, Apr. 22, 2002, Minka Lighting Inc. USA.

Minka Aire Two Thousand Three; pp. 2, 3, Jan. 2003, Minka Lighting, Inc USA.

* cited by examiner

Primary Examiner—Lisa Lichtenstein

(74) *Attorney, Agent, or Firm*—Baker & McKenzie, LLP

(57) **CLAIM**

The ornamental design for a ceiling fan, as shown and described.

(56) **References Cited**

U.S. PATENT DOCUMENTS

D446,296 S	*	8/2001	Gajewski	D23/377
D480,796 S		10/2003	Young	D23/411
D481,450 S		10/2003	Young	D23/377
D481,454 S		10/2003	Young	D23/411
D482,773 S		11/2003	Young	D23/411
D485,897 S	*	1/2004	Tai	D23/377

OTHER PUBLICATIONS

U.S. Appl. No. 29/193,834 filed Nov. 13, 2003, Stanfield Young.

U.S. Appl. No. 29/193,884 filed Nov. 13, 2003, Stanfield Young.

U.S. Appl. No. 29/193,886 filed Nov. 13, 2003, Stanfield Young.

U.S. Appl. No. 10/196,481 filed Jul. 15, 2002, Stanfield Young.

U.S. Appl. No. 29/190,991 filed Sep. 29, 2003, Stanfield Young.

DESCRIPTION

FIG. 1 is a perspective view from below of a ceiling fan in accordance with my design;

FIG. 2 is an enlarged perspective view from below of a ceiling fan in accordance with my design;

FIG. 3 is a reduced bottom plan view of the ceiling fan in accordance with my design;

FIG. 4 is a reduced top plan view of the ceiling fan in accordance with my design;

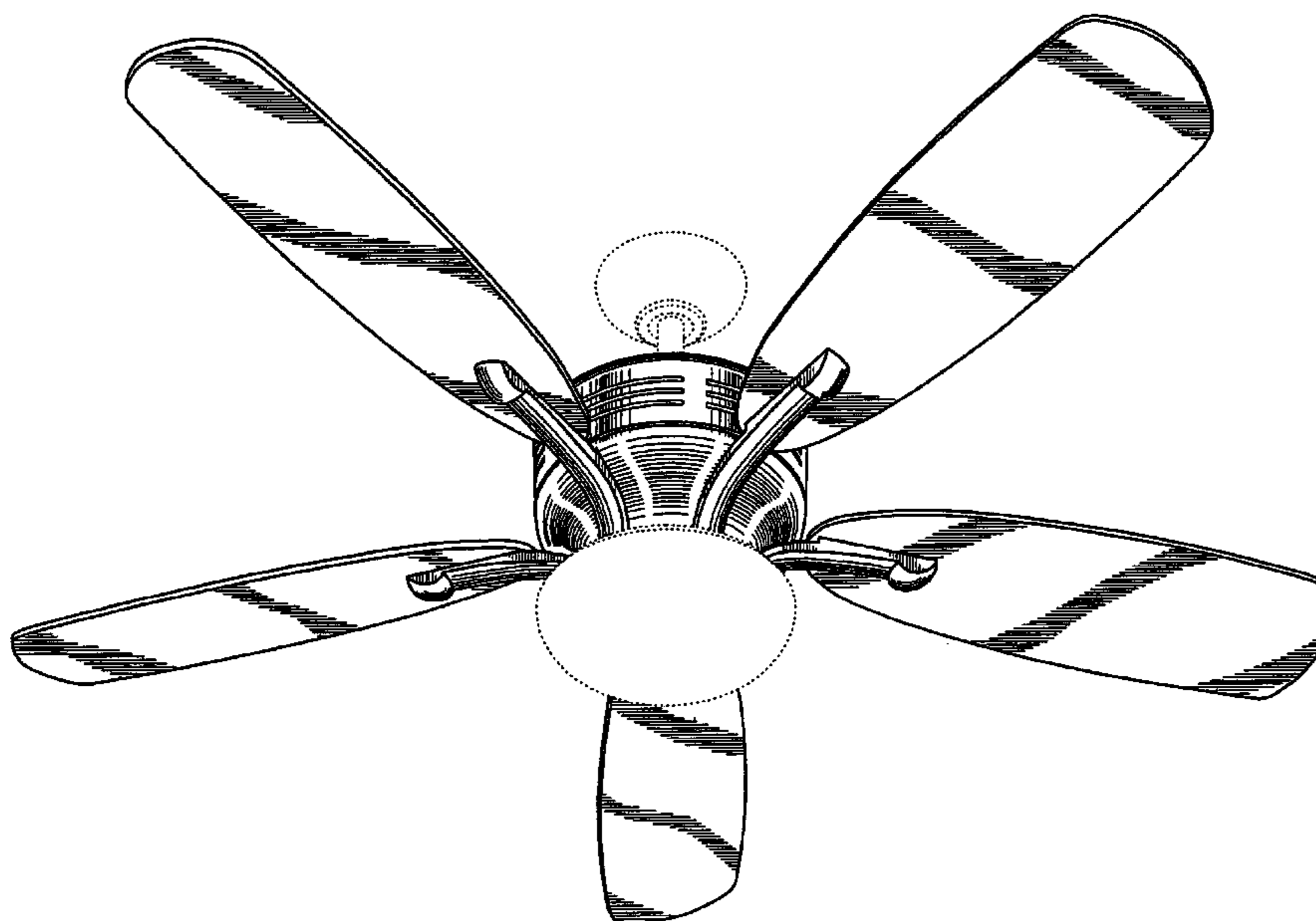
FIG. 5 is a front elevation view of the ceiling fan in accordance with my design; and,

FIG. 6 is a side elevation view of the ceiling fan in accordance with my design.

FIGS. 5 and 6 are identical except for the positioning of the fan blades.

The broken lines showing environmental structure are for illustrative purposes and form no part of the claimed design.

1 Claim, 6 Drawing Sheets



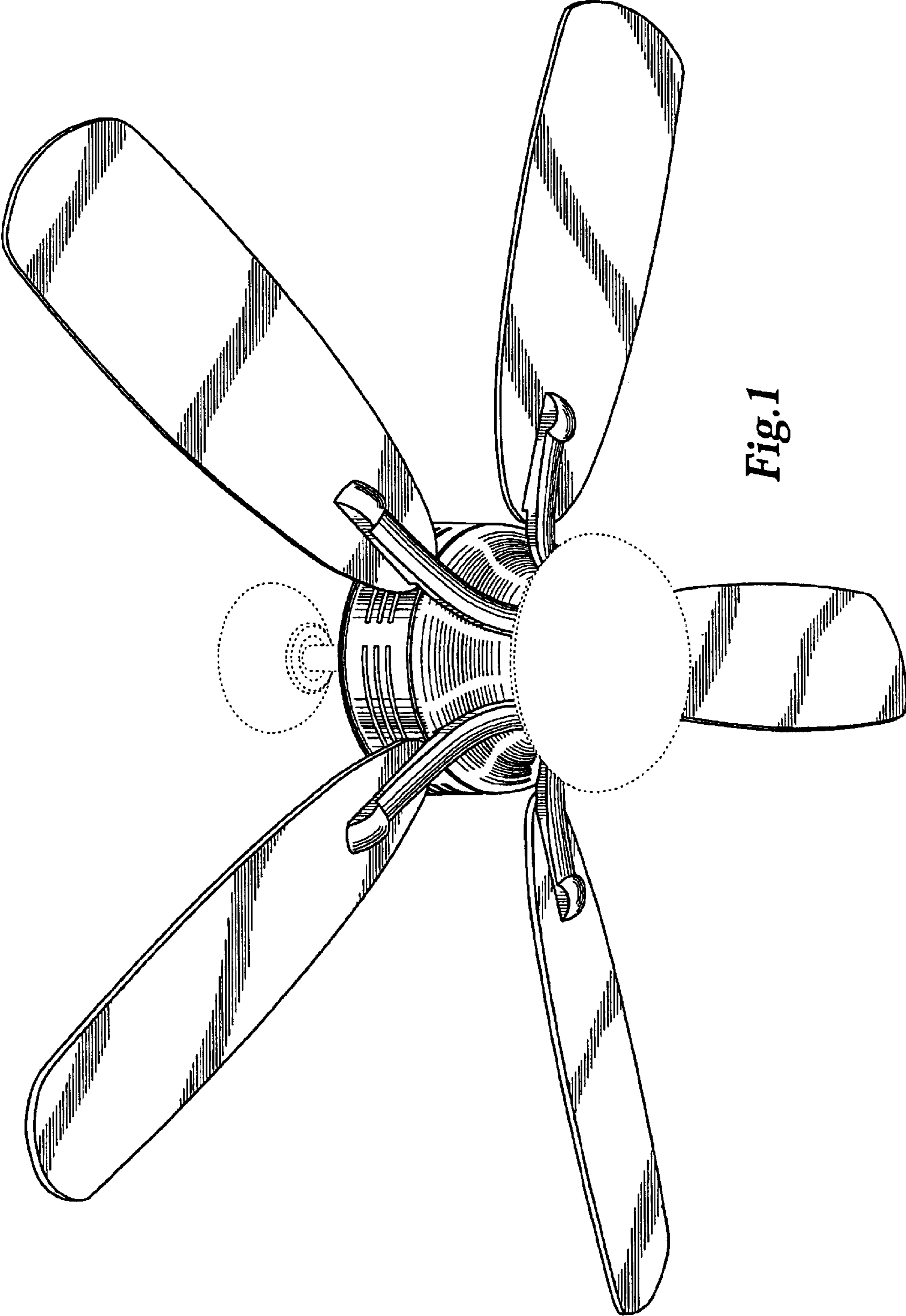


Fig. 1

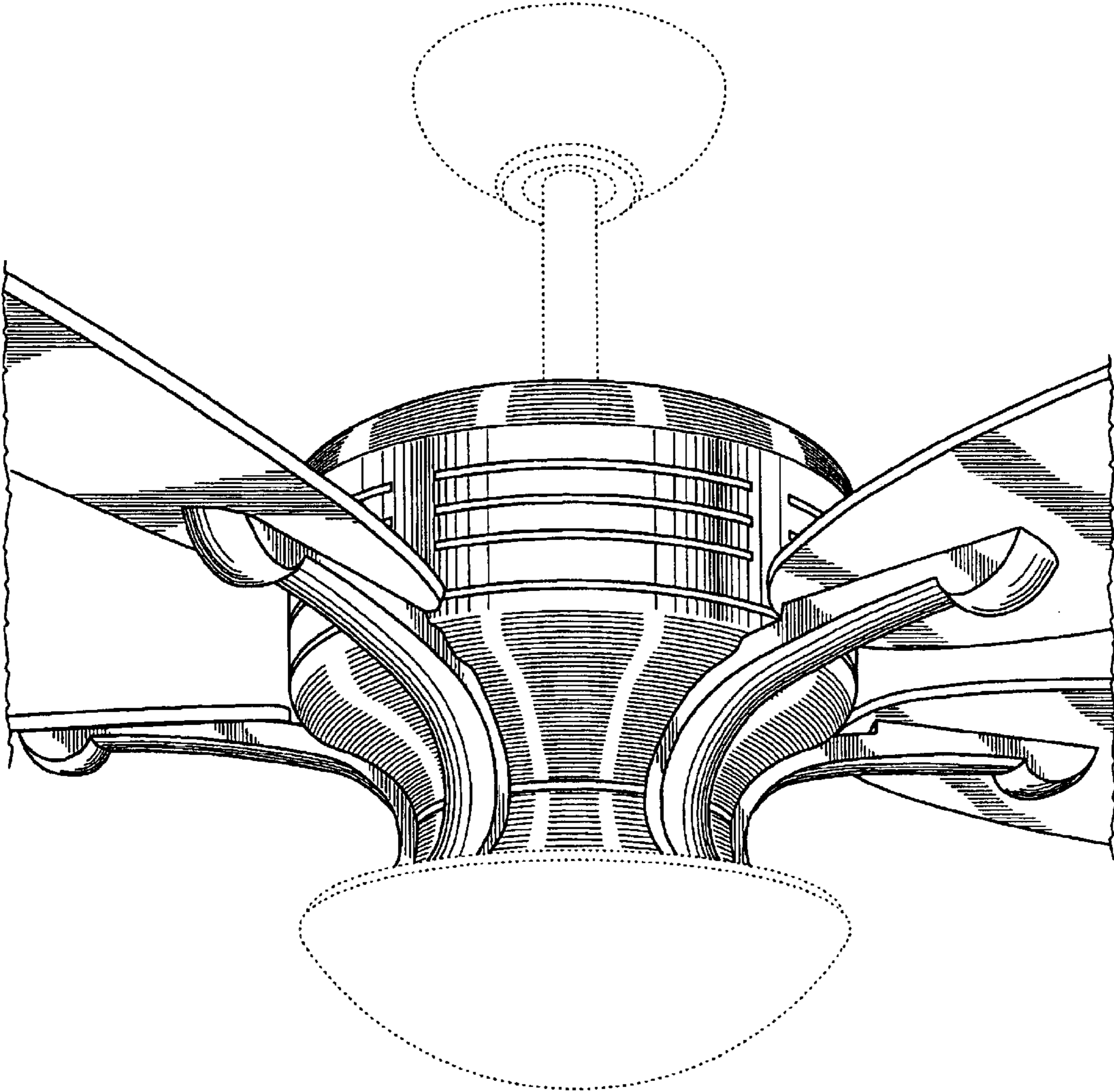


Fig.2

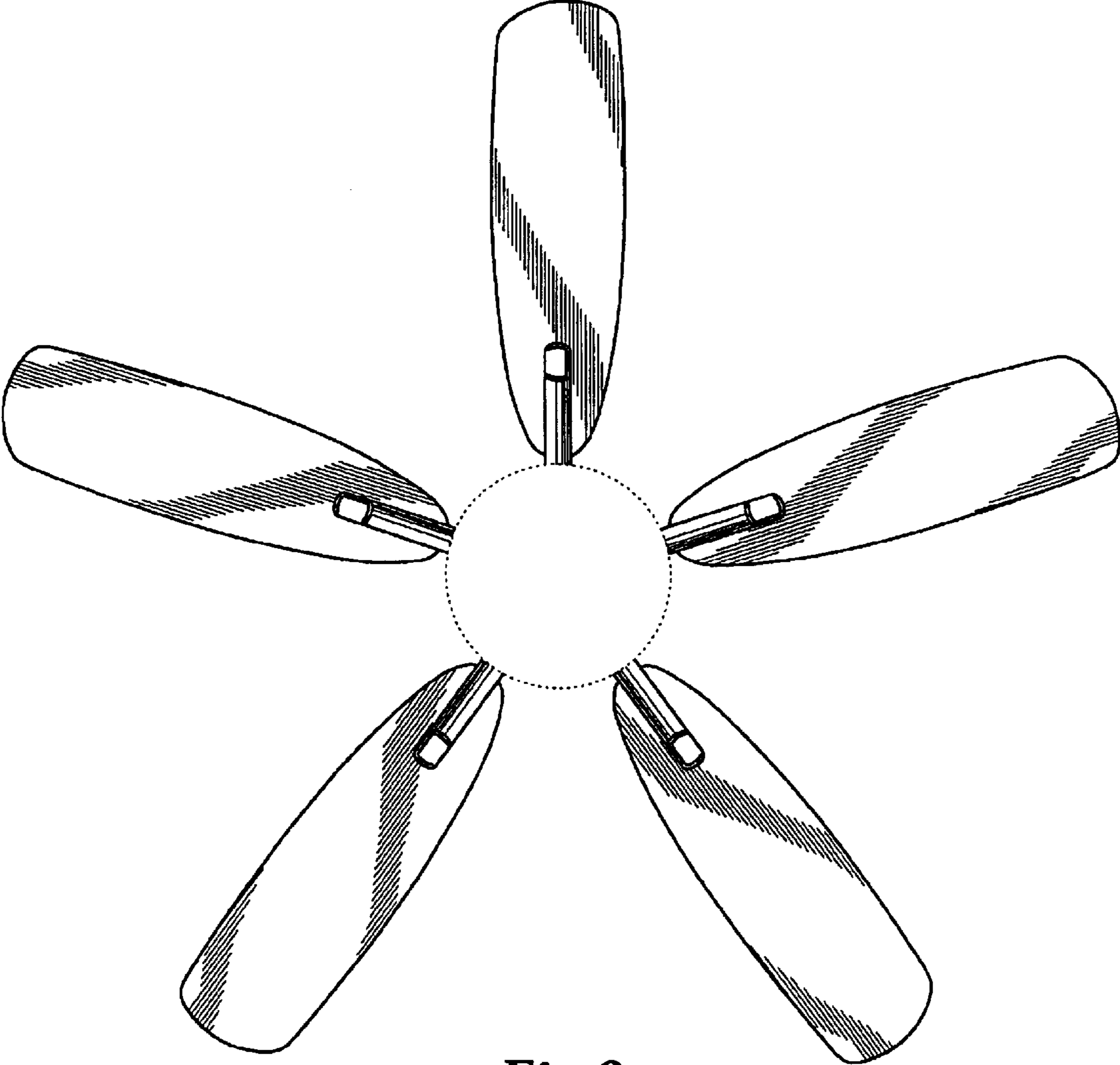


Fig.3

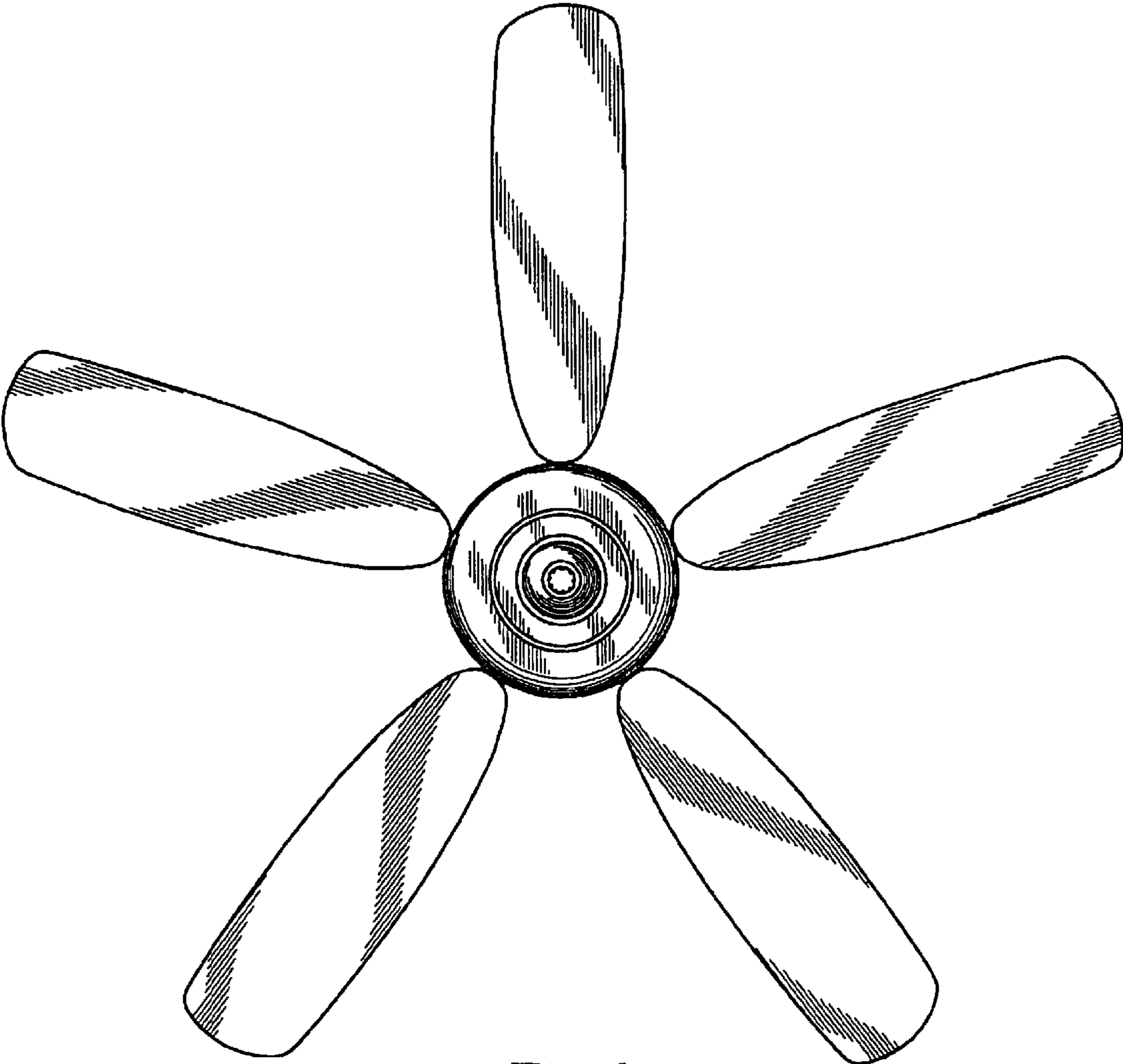


Fig. 4

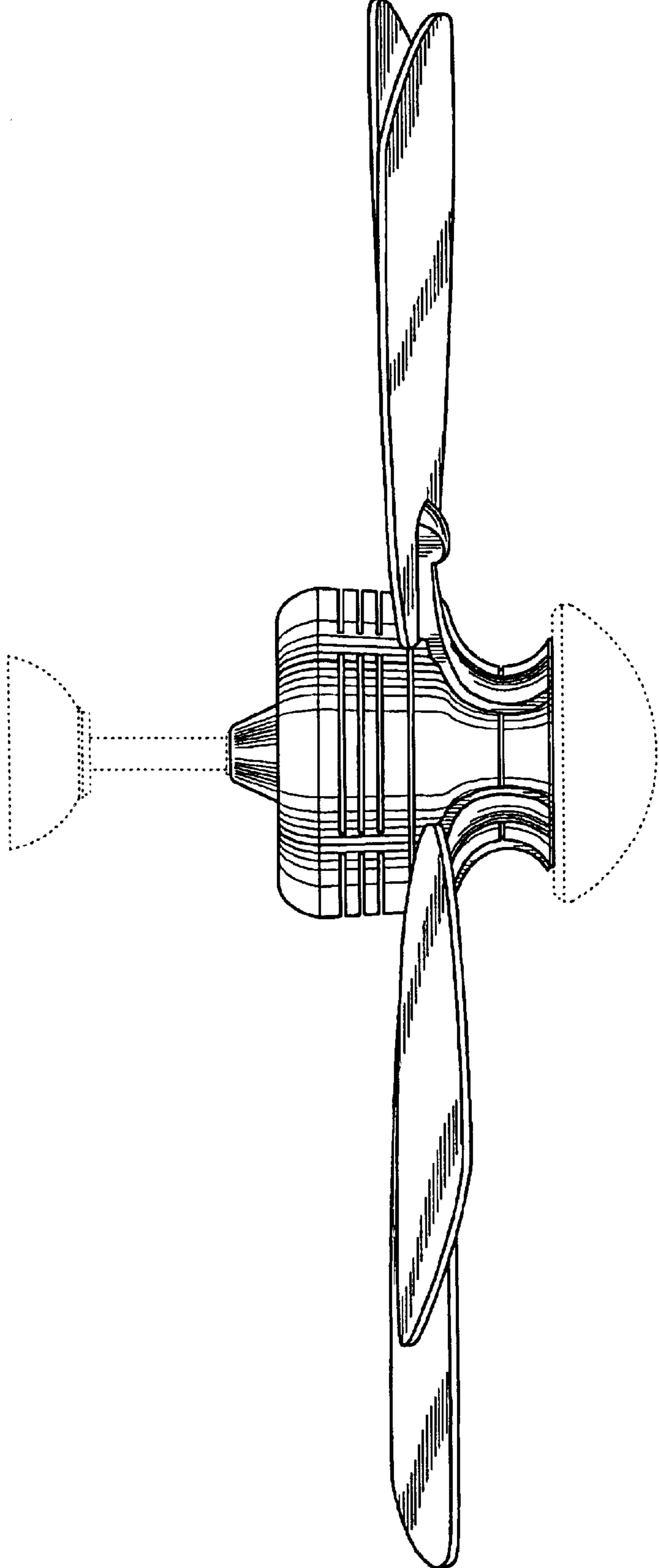


Fig. 5

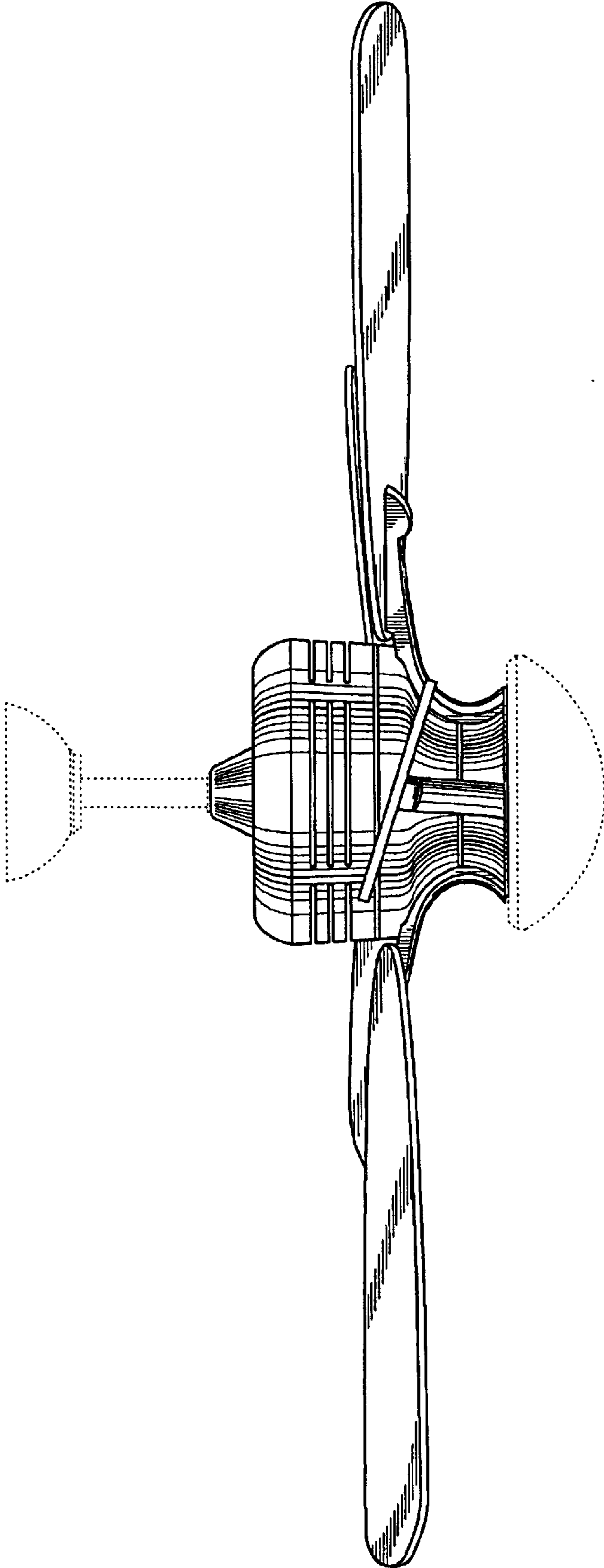


Fig.6