



US00D511371S

(12) **United States Design Patent**
Chen

(10) **Patent No.:** **US D511,371 S**

(45) **Date of Patent:** **** Nov. 8, 2005**

(54) **DOUBLE HANDLE LAVATORY FAUCET**

D496,717 S * 9/2004 Svendsen et al. D23/257

(76) **Inventor:** **Lien-Fu Chen**, No. 11, Lane 66, Fu Dong Street, Fu Shaw Li, Chung Hua City (TW)

* cited by examiner

Primary Examiner—Louis S. Zarfes

Assistant Examiner—Gregory Andoll

(74) *Attorney, Agent, or Firm*—Charles E. Baxley

(**) **Term:** **14 Years**

(57) **CLAIM**

(21) **Appl. No.:** **29/202,876**

The ornamental design for a double handle lavatory faucet, as shown and described.

(22) **Filed:** **Apr. 5, 2004**

(51) **LOC (8) Cl.** **23-01**

DESCRIPTION

(52) **U.S. Cl.** **D23/241; D23/242**

FIG. 1 is a perspective view of a double handle lavatory faucet showing my new design;

(58) **Field of Search** **D23/238–257;**

4/675–678; 137/801

FIG. 2 is a front elevational view thereof;

FIG. 3 is a rear elevational view thereof;

FIG. 4 is a left side elevational view thereof;

FIG. 5 is a right side elevational view thereof;

FIG. 6 is a top plan view thereof; and,

FIG. 7 is a bottom plan view thereof.

(56) **References Cited**

U.S. PATENT DOCUMENTS

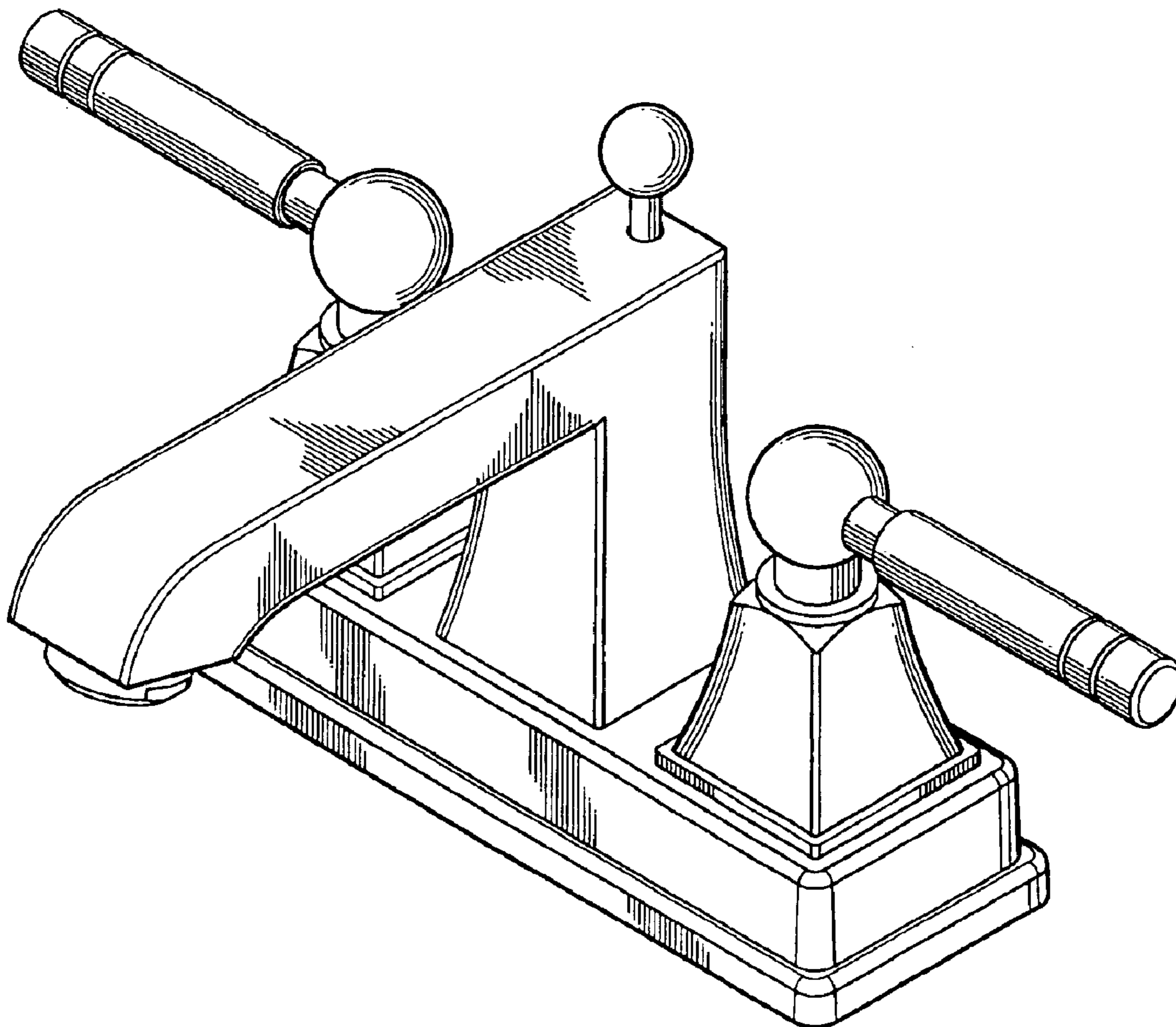
D429,316 S * 8/2000 McKeone D23/238

D461,230 S * 8/2002 Ko D23/255

D461,527 S * 8/2002 Ko D23/241

D493,213 S * 7/2004 Svendsen et al. D23/252

1 Claim, 7 Drawing Sheets



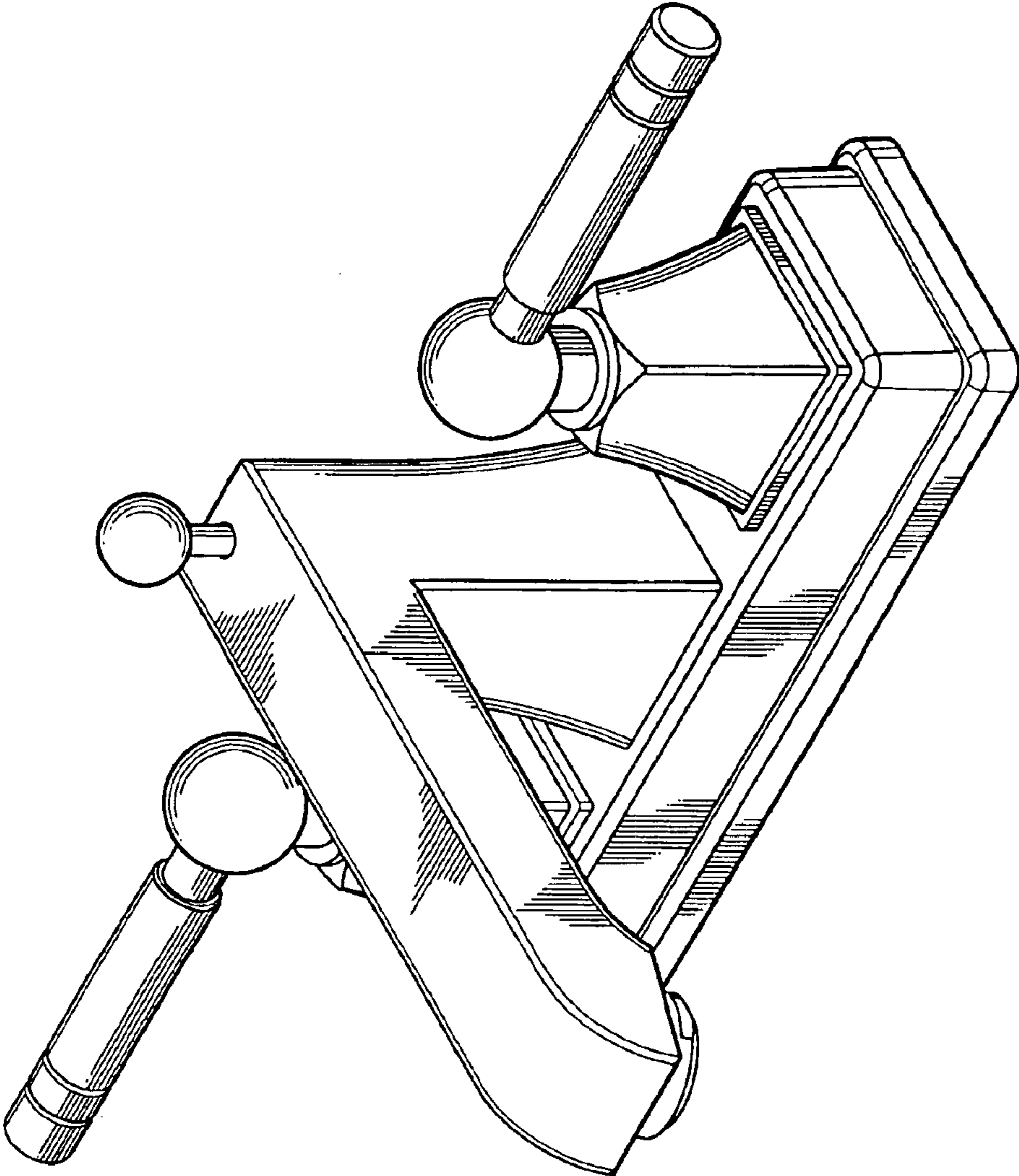


FIG. 1

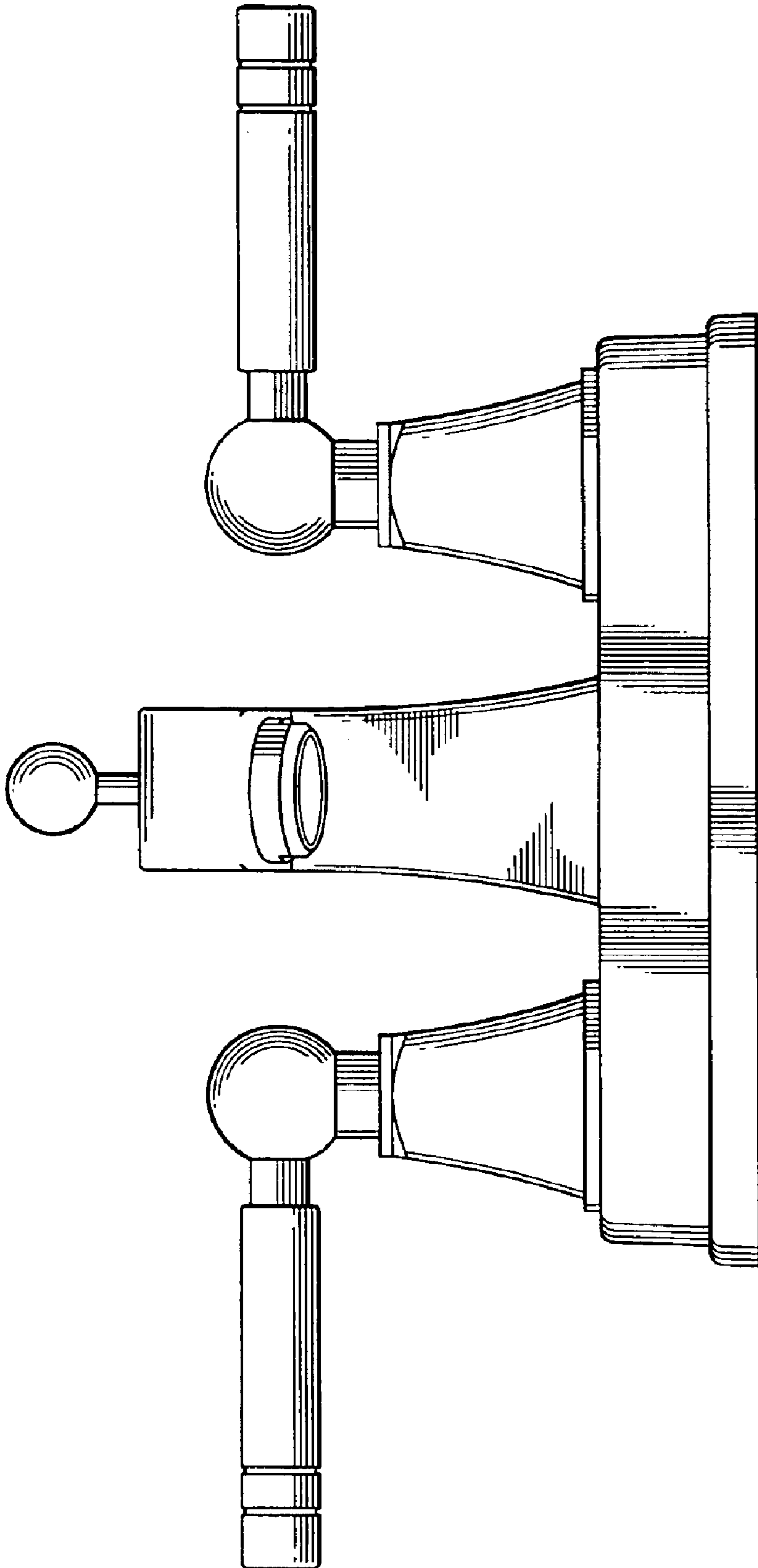


FIG. 2

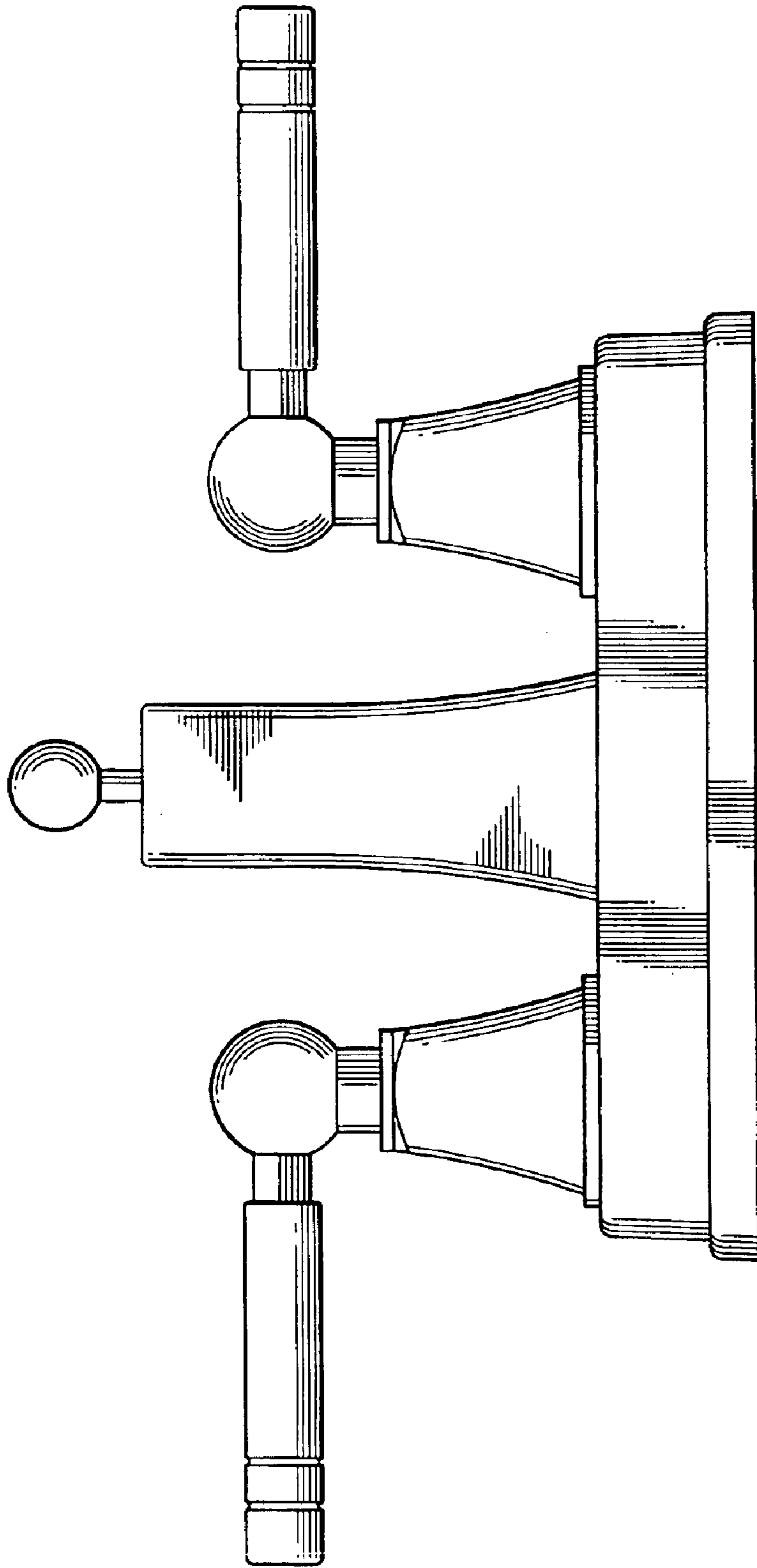


FIG. 3

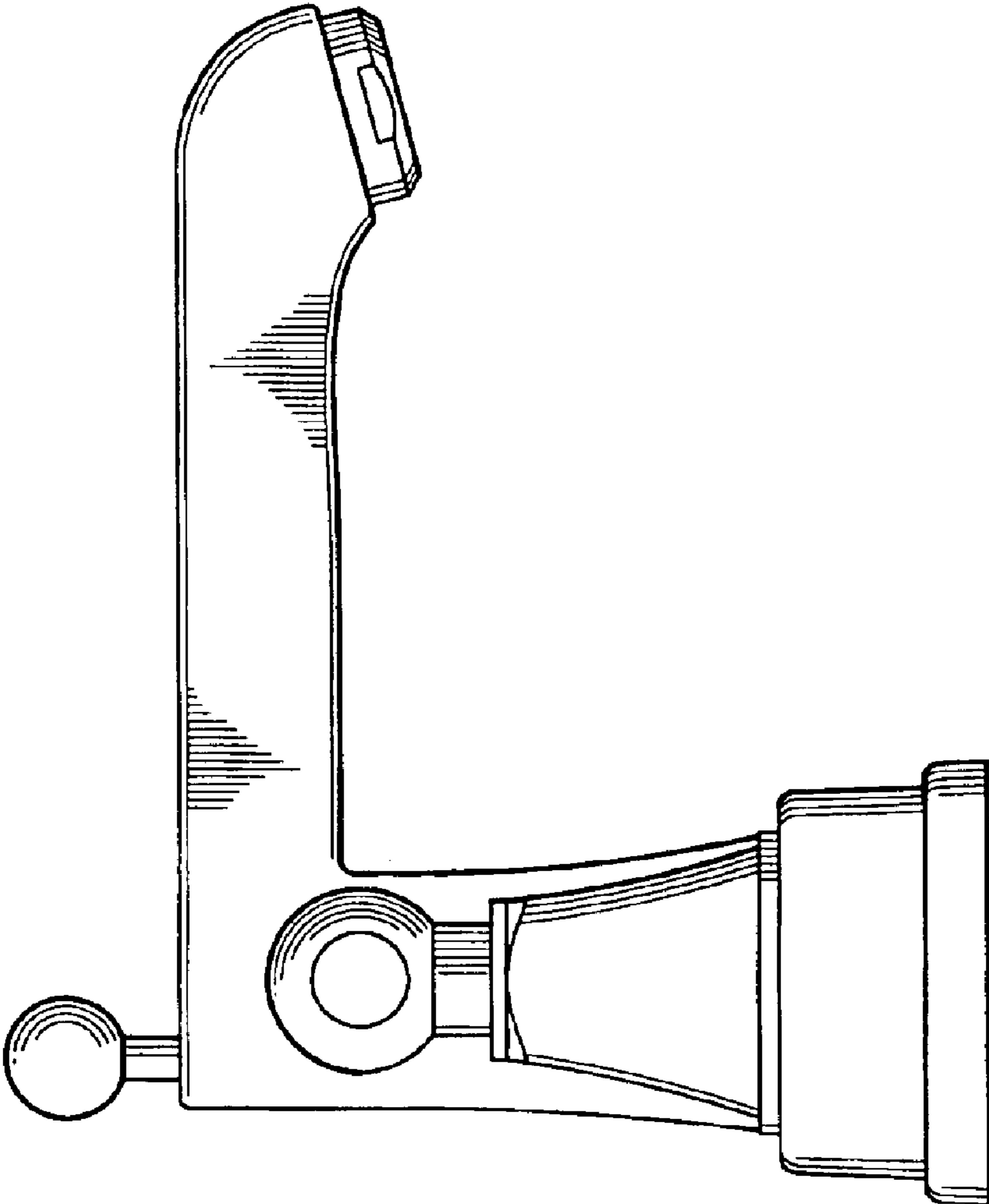


FIG. 4

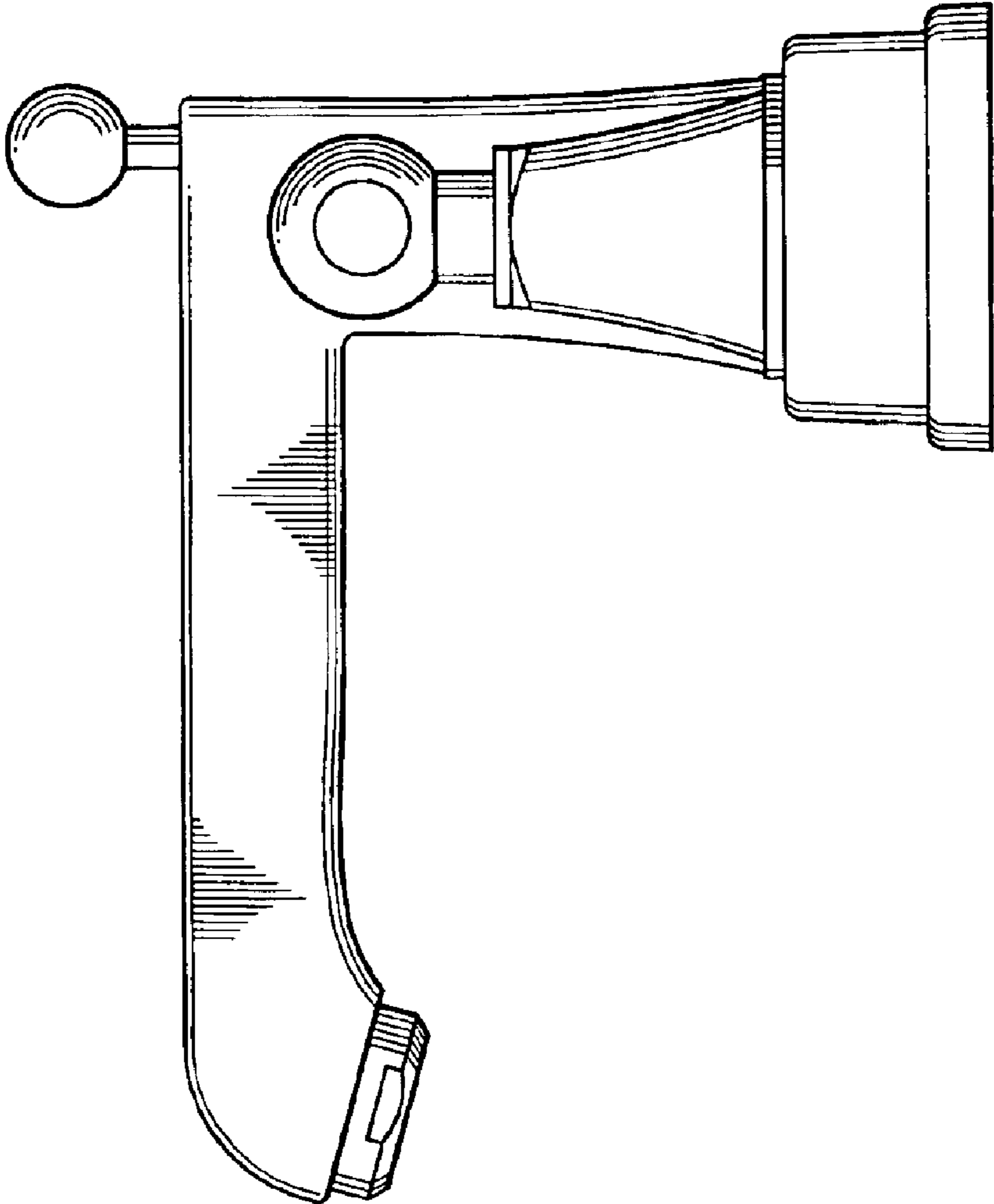


FIG. 5

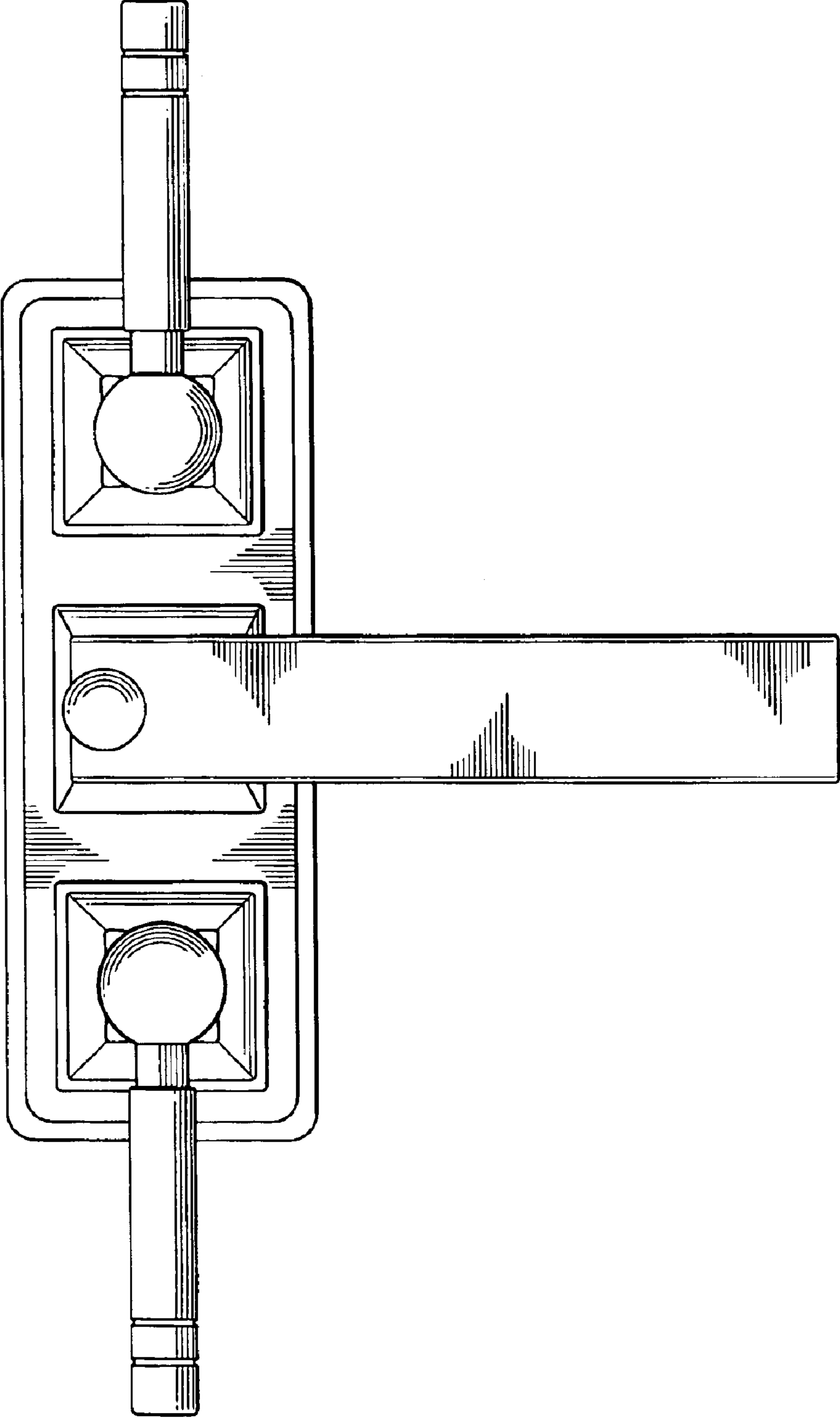


FIG. 6

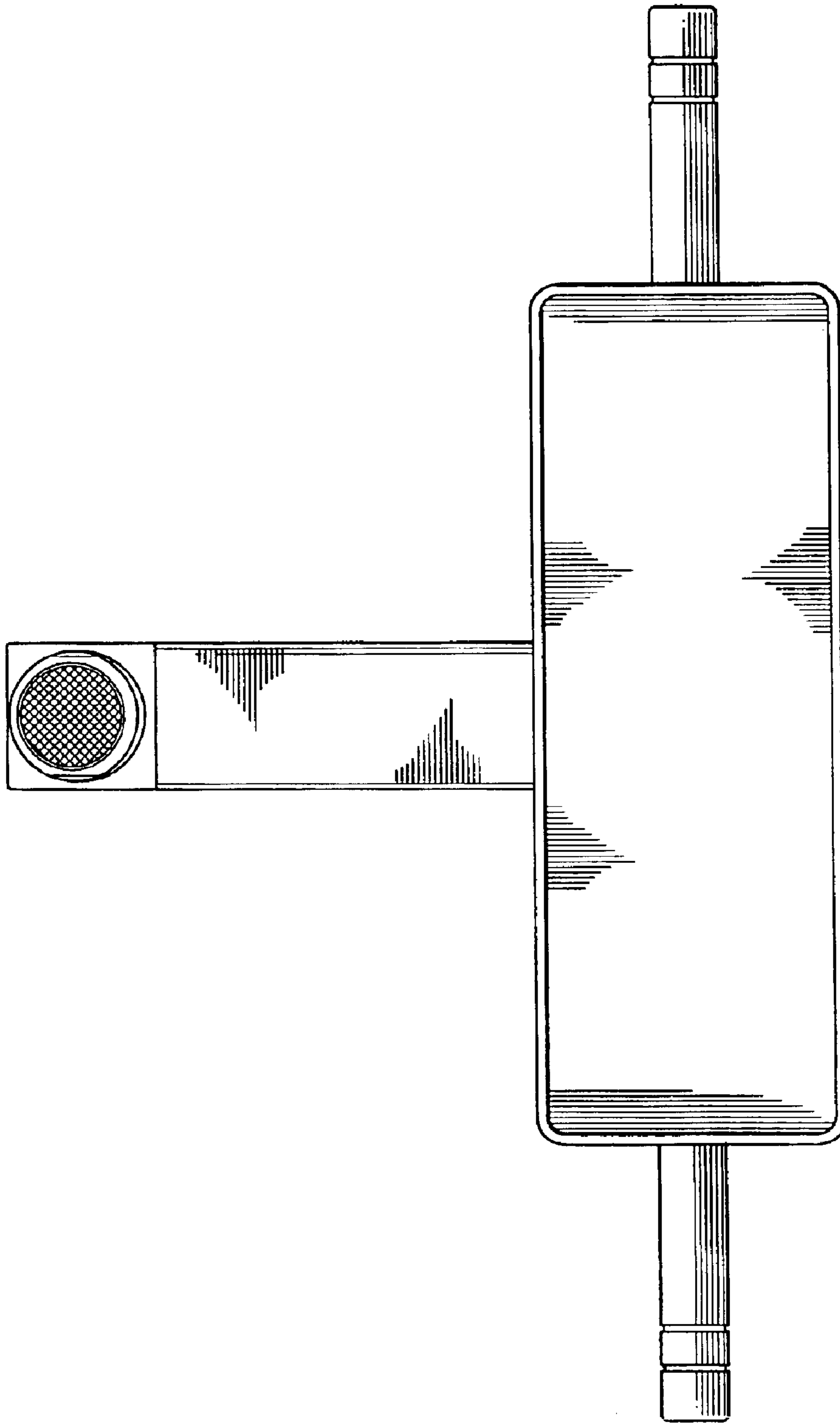


FIG. 7