



US00D511369S

(12) **United States Design Patent** (10) **Patent No.:** **US D511,369 S**
Croft (45) **Date of Patent:** **** Nov. 8, 2005**

- (54) **MANUAL VALVE ACTUATOR WITH CAM** D345,006 S 3/1994 Gallagher et al.
- (75) **Inventor: David D. Croft, Copley, OH (US)** 5,380,173 A 1/1995 Hellstrom
- (73) **Assignee: Swagelok Company, Solon, OH (US)** 5,449,145 A 9/1995 Wortrich
- (**) **Term: 14 Years** 5,452,741 A 9/1995 Tomita et al.
- (21) **Appl. No.: 29/217,811** 5,484,340 A 1/1996 Campbell et al.
- (22) **Filed: Nov. 22, 2004** 5,533,874 A 7/1996 Hauser

- D373,176 S 8/1996 Booth et al.
- 5,555,647 A 9/1996 Torborg et al.
- D399,922 S 10/1998 Uehara
- D411,872 S 7/1999 Mirth et al.

(Continued)

Related U.S. Application Data

- (62) Division of application No. 29/161,578, filed on May 31, 2002, now Pat. No. Des. 500,842.
- (51) **LOC (8) Cl. 23-01**
- (52) **U.S. Cl. D23/233**
- (58) **Field of Search D23/233-237,**
D23/244-249; 137/116.5, 505, 505.42,
519.5, 522, 460; 251/1-9, 288-319, 337,
322-325, 902, 904

FOREIGN PATENT DOCUMENTS

WO WO 01/26196 A1 4/2001

OTHER PUBLICATIONS

Entegris Brochure, Entegris, Inc., Jan. 2000.
 Advance Sav Series Catalog, Advance Electric Company, Inc.
 CKD Catalog, CKD Corporation.
Primary Examiner—Nelson C. Holtje
 (74) *Attorney, Agent, or Firm*—Calfee, Halter & Griswold LLP

(56) **References Cited**

U.S. PATENT DOCUMENTS

- D45,227 S 2/1914 Glauber
- 2,064,751 A 12/1936 Hussman
- 3,036,375 A 5/1962 Schlosser, Jr. et al.
- 3,493,201 A 2/1970 Marran
- D218,306 S 8/1970 Krels
- 3,754,843 A 8/1973 Dervedde et al.
- 4,354,655 A 10/1982 Hengst
- 4,502,656 A 3/1985 Zeitler
- 4,611,484 A 9/1986 MacKissinger, Jr. et al.
- 4,624,443 A 11/1986 Eidsmore
- 4,734,016 A 3/1988 Sailer
- 4,735,558 A 4/1988 Kienholz et al.
- 4,755,109 A 7/1988 Botts
- 4,776,554 A 10/1988 Shekita et al.
- 4,917,581 A 4/1990 Richardson, Jr. et al.
- 4,946,351 A 8/1990 Richardson, Jr.
- D317,494 S 6/1991 Miyake et al.
- D318,713 S 7/1991 Miyake et al.
- 5,044,526 A 9/1991 Sasaki et al.
- 5,044,883 A 9/1991 Neueder

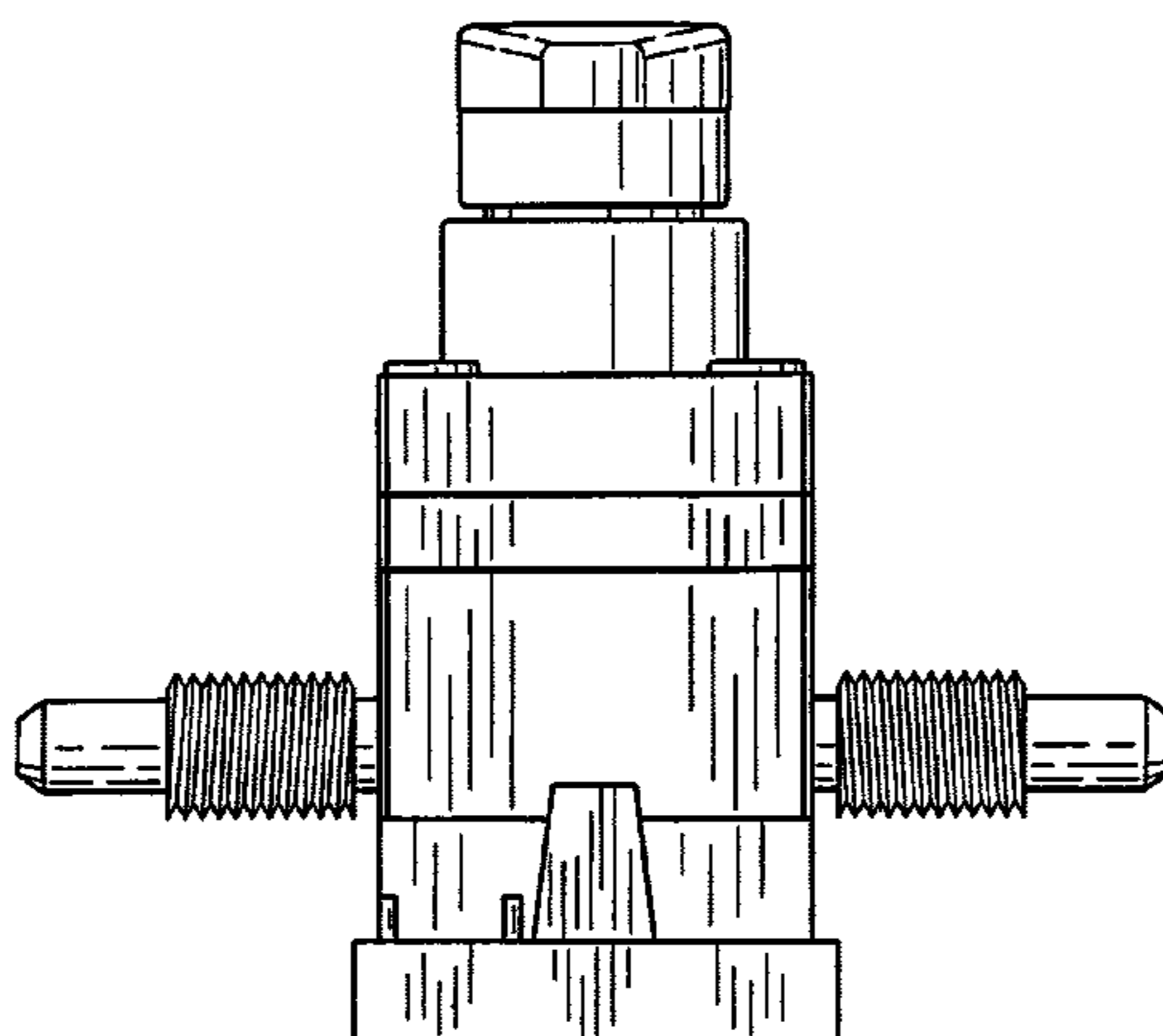
(57) **CLAIM**

The ornamental design for a manual valve actuator with cam, as shown.

DESCRIPTION

FIG. 1 is a top view of manual valve actuator with cam and mounting bracket showing the new design;
 FIG. 2 is a front view of the manual valve actuator with cam and mounting bracket of FIG. 1;
 FIG. 3 is a bottom view of the manual valve actuator with cam and mounting bracket of FIG. 1;
 FIG. 4 is a back view of the manual valve actuator with cam and mounting bracket of FIG. 1;
 FIG. 5 is a right side view of the manual valve actuator with cam and mounting bracket of FIG. 1; and,
 FIG. 6 is a left side view of the manual valve actuator with cam and mounting bracket of FIG. 1.

1 Claim, 3 Drawing Sheets



US D511,369 S

Page 2

U.S. PATENT DOCUMENTS

5,927,688 A	7/1999	Lin	6,123,320 A	9/2000	Rasanow et al.
D416,076 S	11/1999	Okitsu	D433,105 S	10/2000	Mirth et al.
6,045,340 A	4/2000	Batchelder et al.	6,287,090 B1	9/2001	Hamasaki et al.
6,099,267 A	8/2000	Ames et al.	6,318,975 B1	11/2001	Kost
			D463,011 S	9/2002	Hirose et al.
			2001/0035515 A1	11/2001	Kennedy et al.

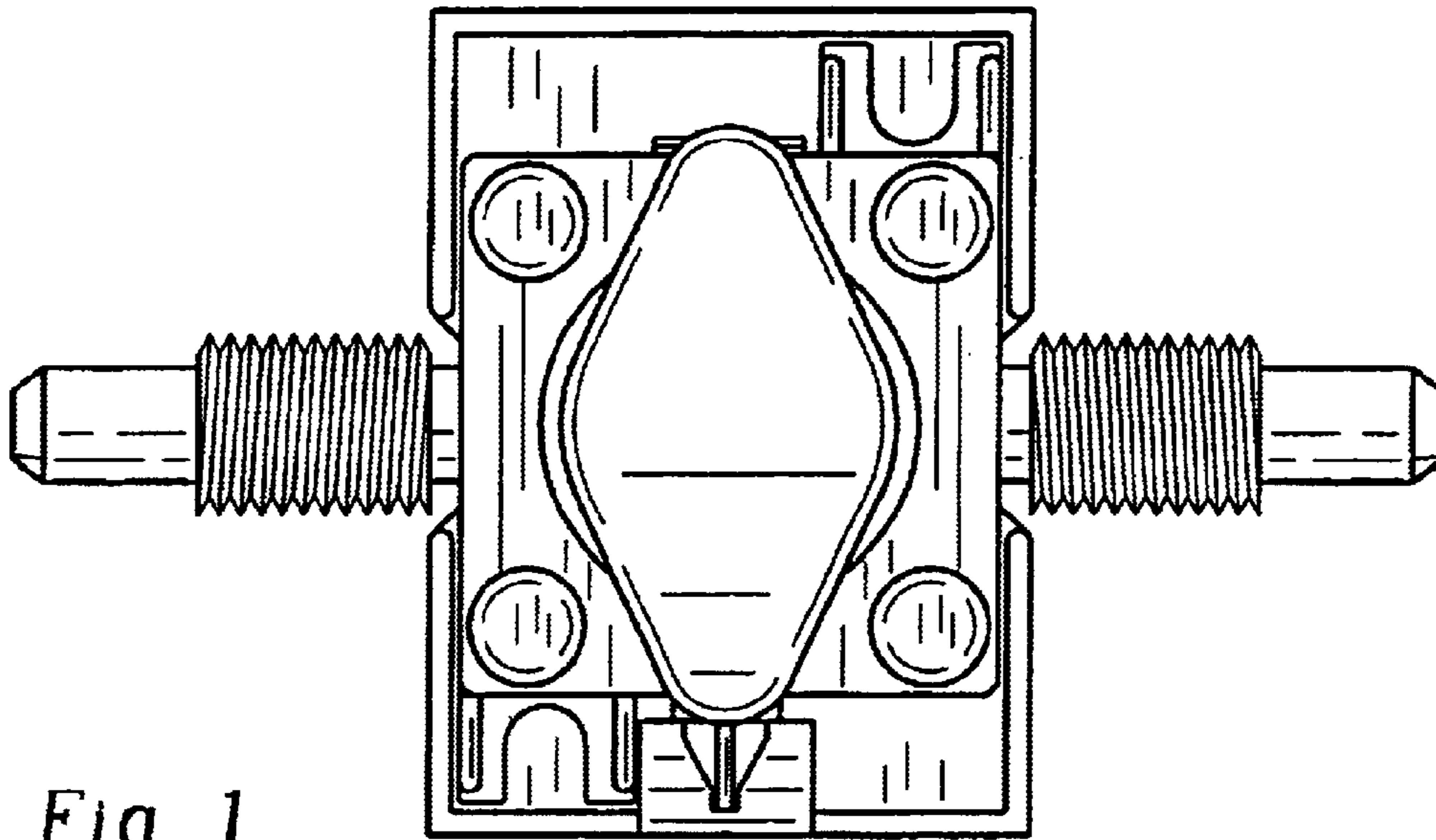


Fig. 1

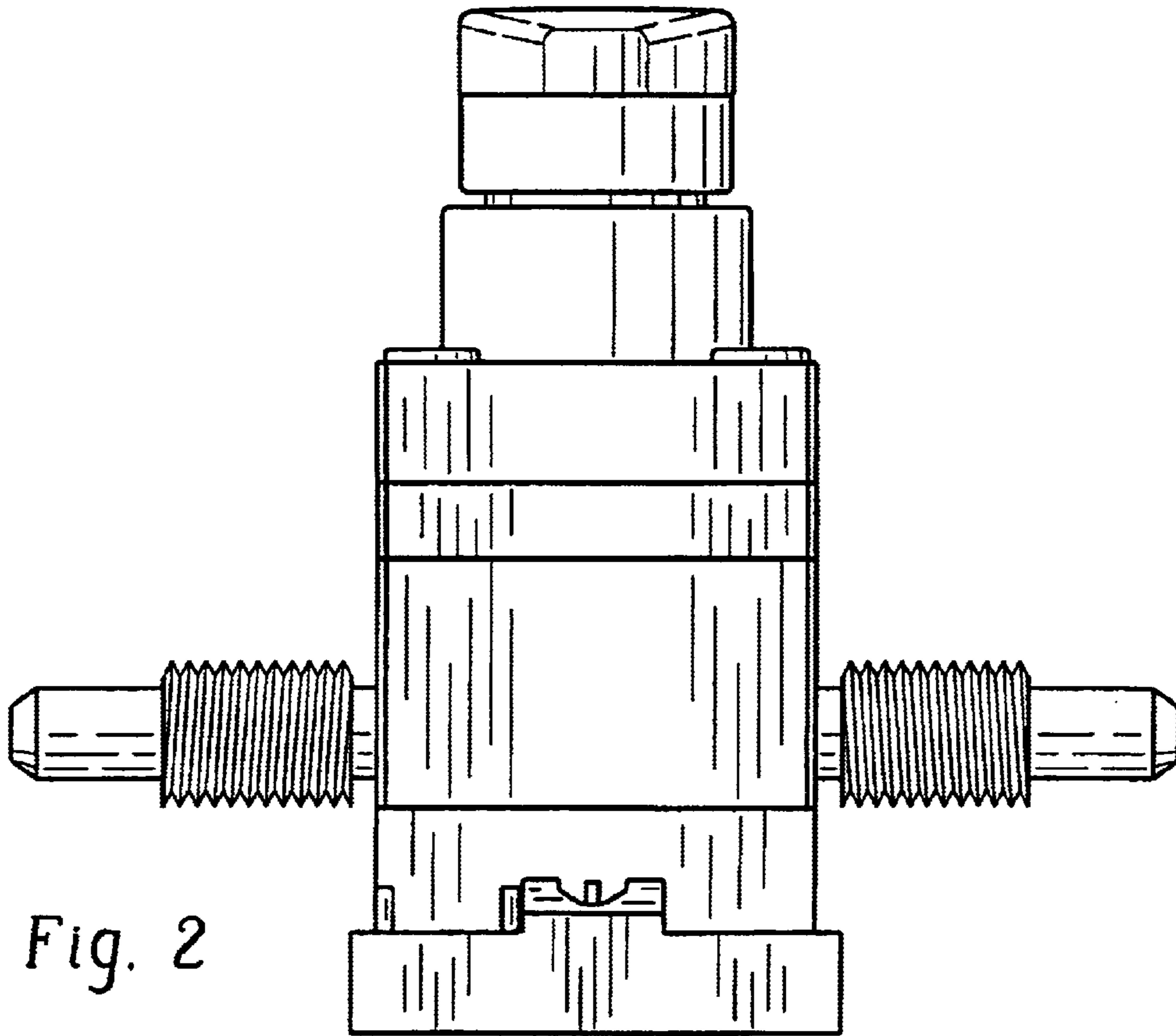


Fig. 2

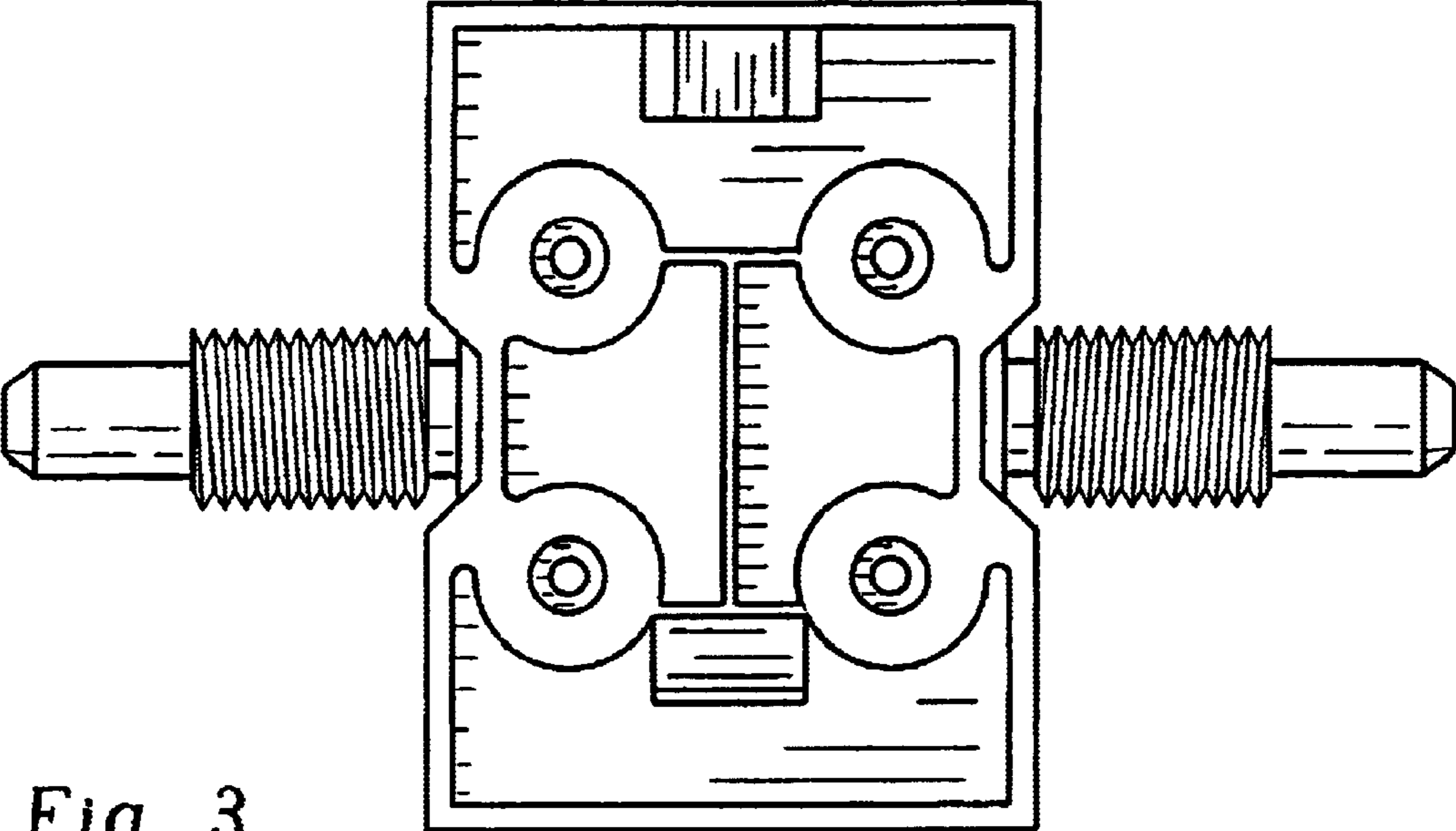


Fig. 3

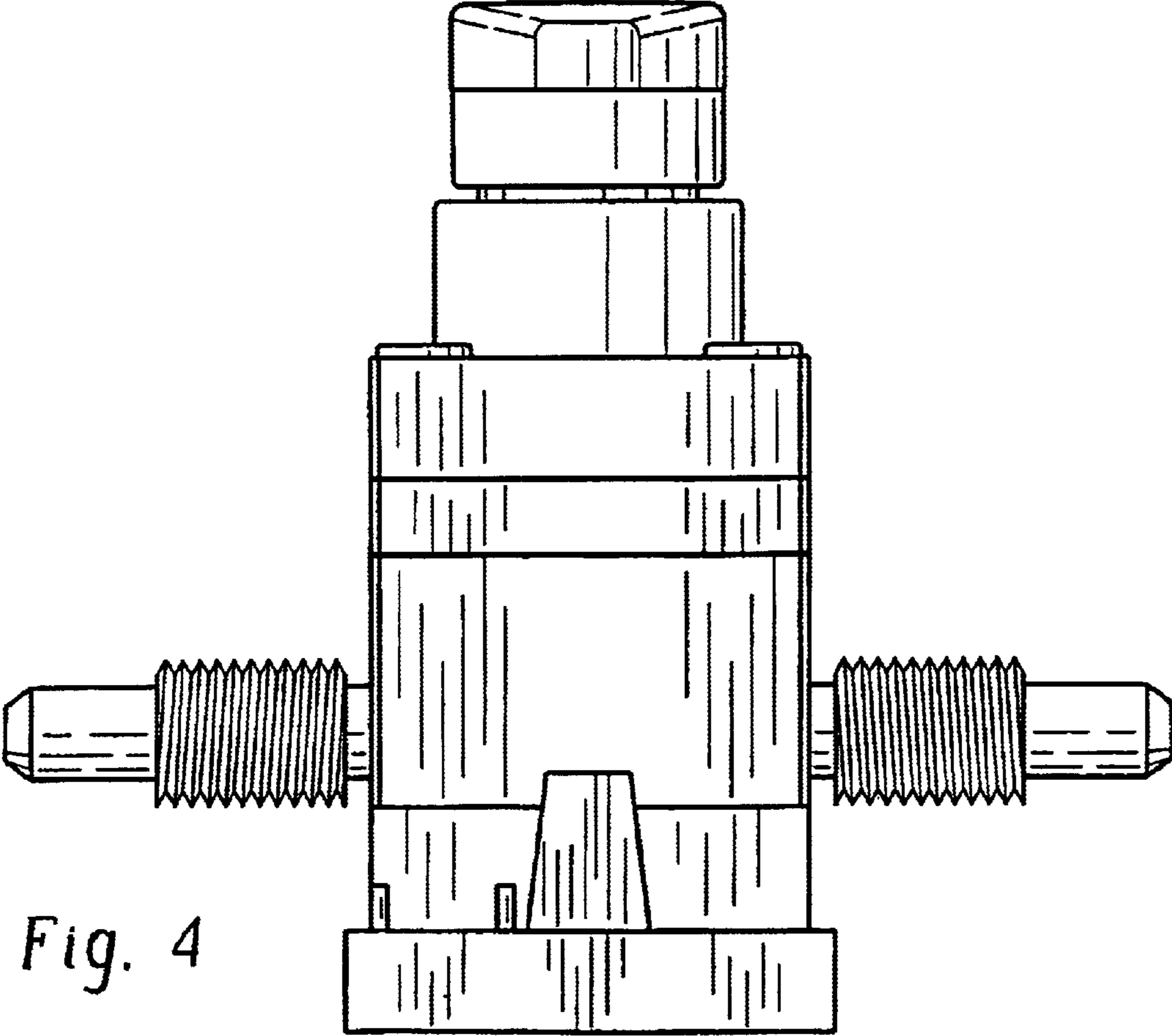


Fig. 4

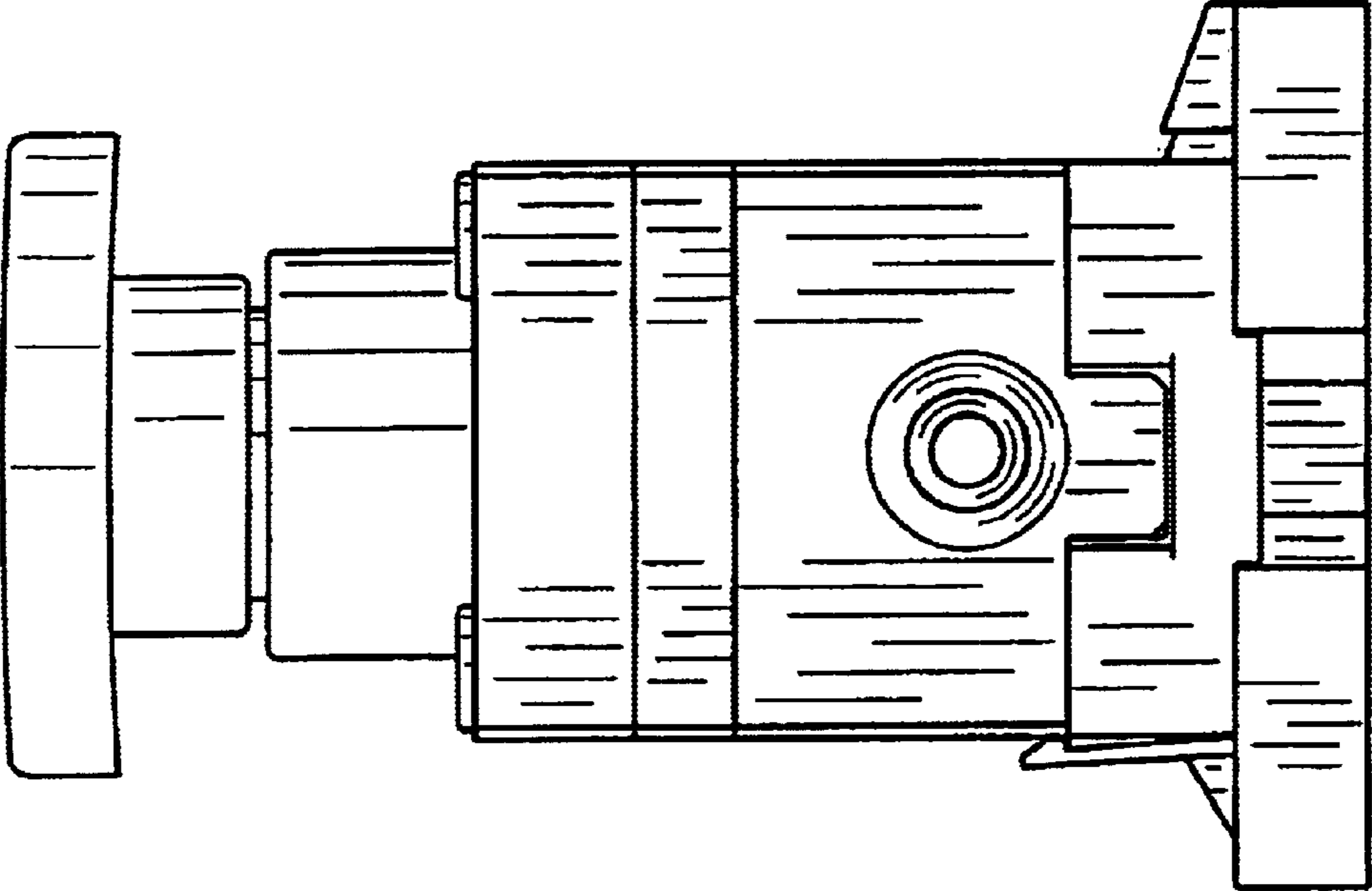


Fig. 6

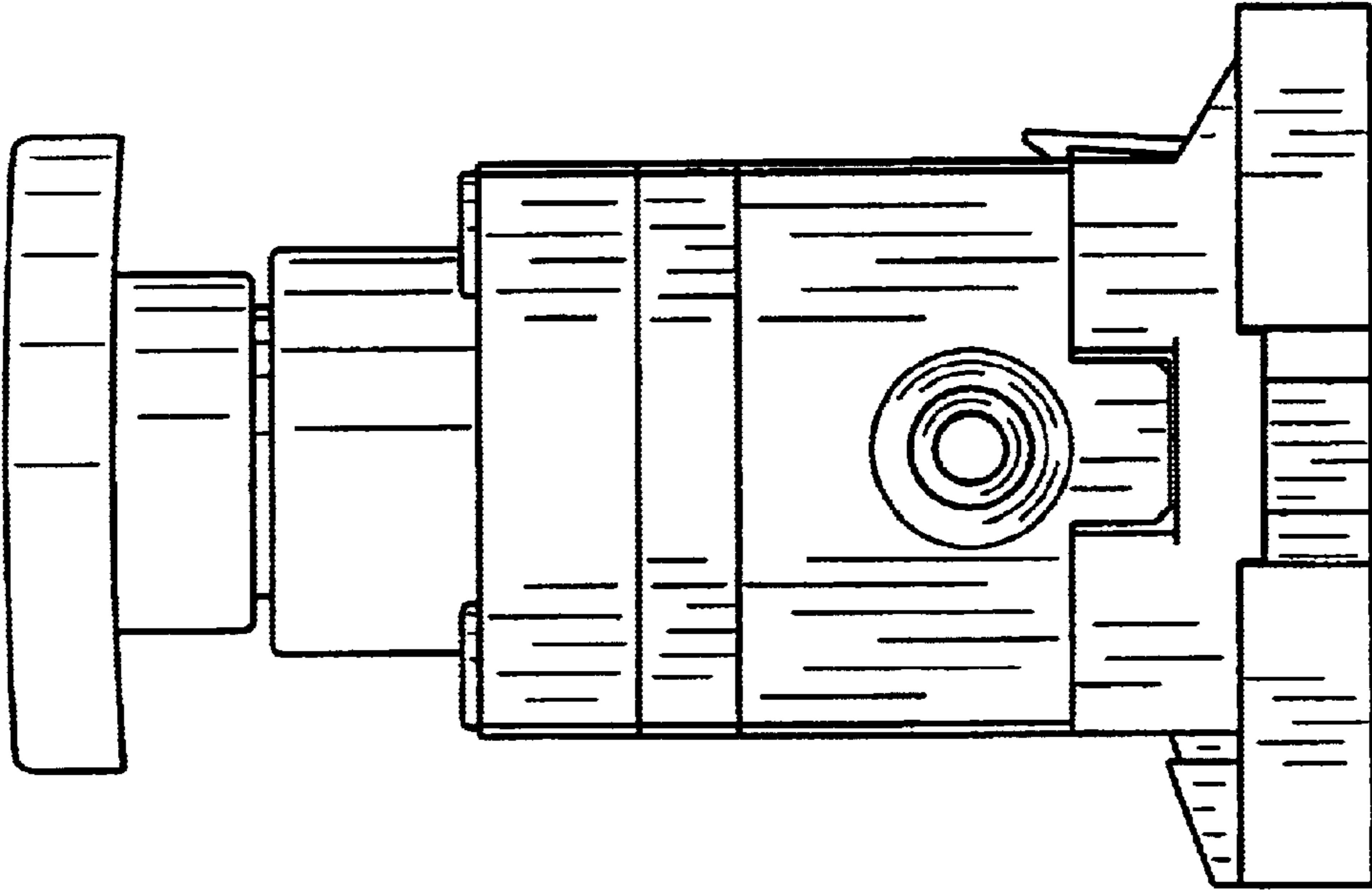


Fig. 5