



US00D511367S

(12) **United States Design Patent**
Bowling

(10) **Patent No.:** **US D511,367 S**

(45) **Date of Patent:** **** Nov. 8, 2005**

(54) **FISHING LURE**

(76) **Inventor:** **Kevin W. Bowling**, R.R. 1, Box 155-H,
Crane, MO (US) 65633

(**) **Term:** **14 Years**

(21) **Appl. No.:** **29/210,561**

(22) **Filed:** **Aug. 4, 2004**

(51) **LOC (8) Cl.** **22-05**

(52) **U.S. Cl.** **D22/126; D22/133**

(58) **Field of Search** D22/125-133;
43/42.47, 42.35, 42.37, 42.45, 42.48, 26.2,
42.36, 42.39

(56) **References Cited**

U.S. PATENT DOCUMENTS

2,486,626	A	11/1949	Arbogast	43/42.36
2,493,487	A	1/1950	Grimm	43/42.48
D168,507	S	12/1952	Heiner	D22/126
2,700,240	A	1/1955	Gibbs	43/42.4
3,172,227	A	3/1965	Mackey	43/42.09
D317,038	S	5/1991	Mann	D22/132
D334,965	S	4/1993	Carnahan et al.	D22/126
5,600,916	A *	2/1997	Smith	43/42.47
D391,618	S	3/1998	Yano	D22/133

D437,025	S	*	1/2001	Peck	D22/133
D443,673	S	*	6/2001	Gowing	D22/126
D448,443	S	*	9/2001	Kaven et al.	D22/133

* cited by examiner

Primary Examiner—Catherine R. Oliver

(74) *Attorney, Agent, or Firm*—Stephen R. Greiner

(57) **CLAIM**

The ornamental design for a fishing lure, as shown and described.

DESCRIPTION

FIG. 1 is a perspective view of a fishing lure showing my new design;

FIG. 2 is a top view thereof;

FIG. 3 is a bottom view thereof;

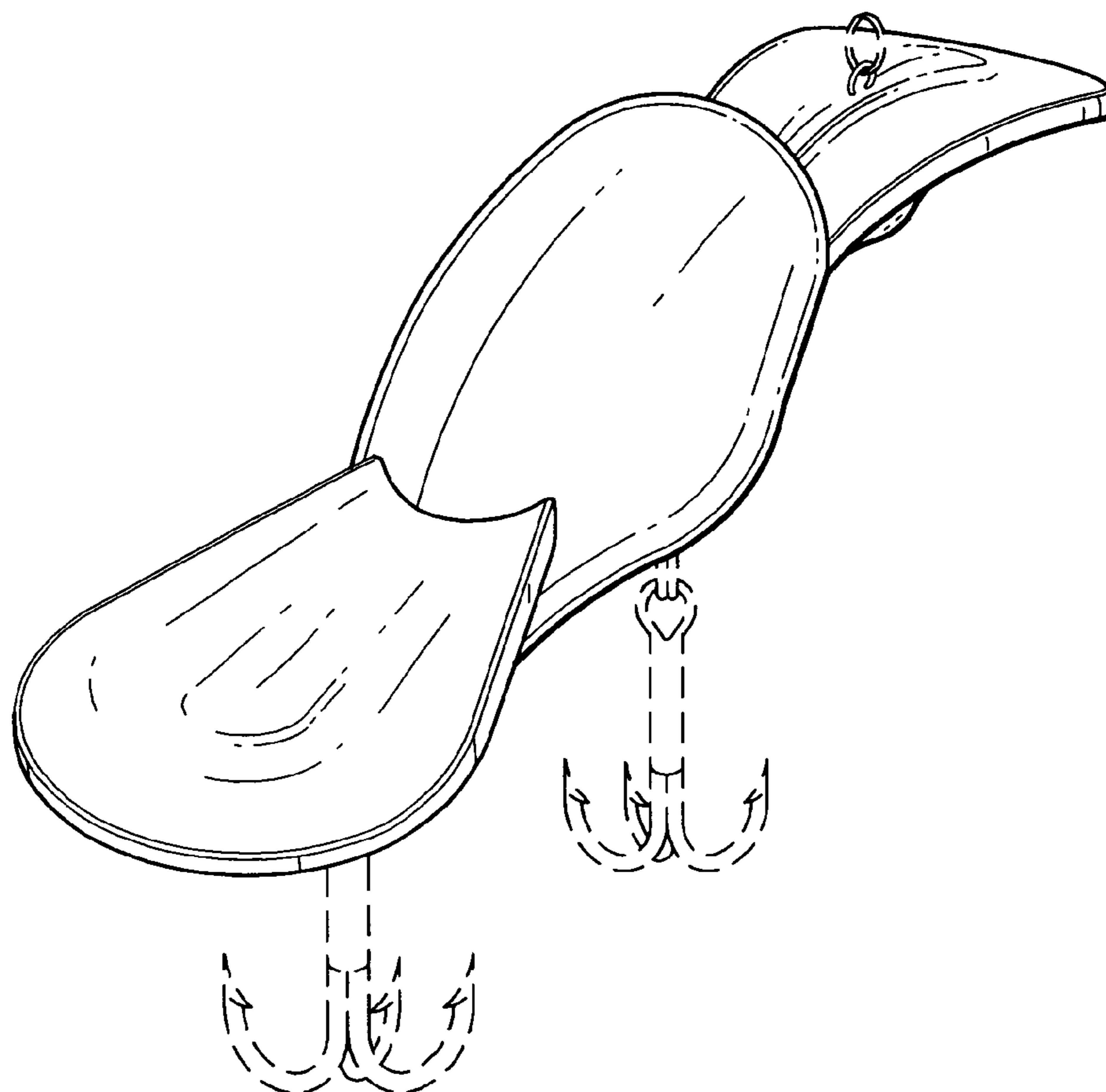
FIG. 4 is a right side elevational view with the left side being a mirror image thereof;

FIG. 5 is a front elevational view thereof; and,

FIG. 6 is a rear elevational view thereof.

The broken line showing of fishhooks and connecting rings in FIGS. 1-6 is for illustrative purposes only and forms no part of the claim design.

1 Claim, 1 Drawing Sheet



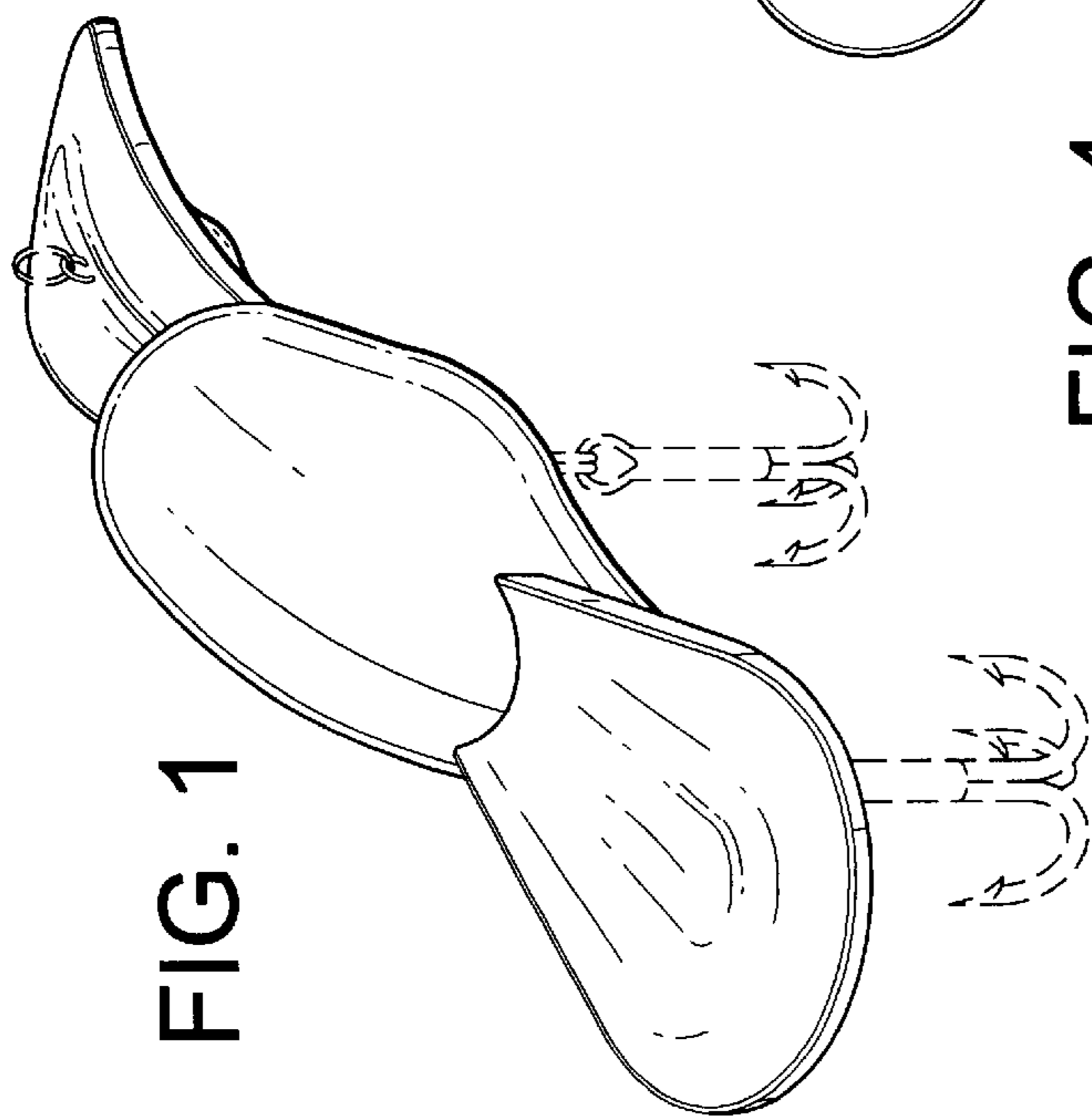
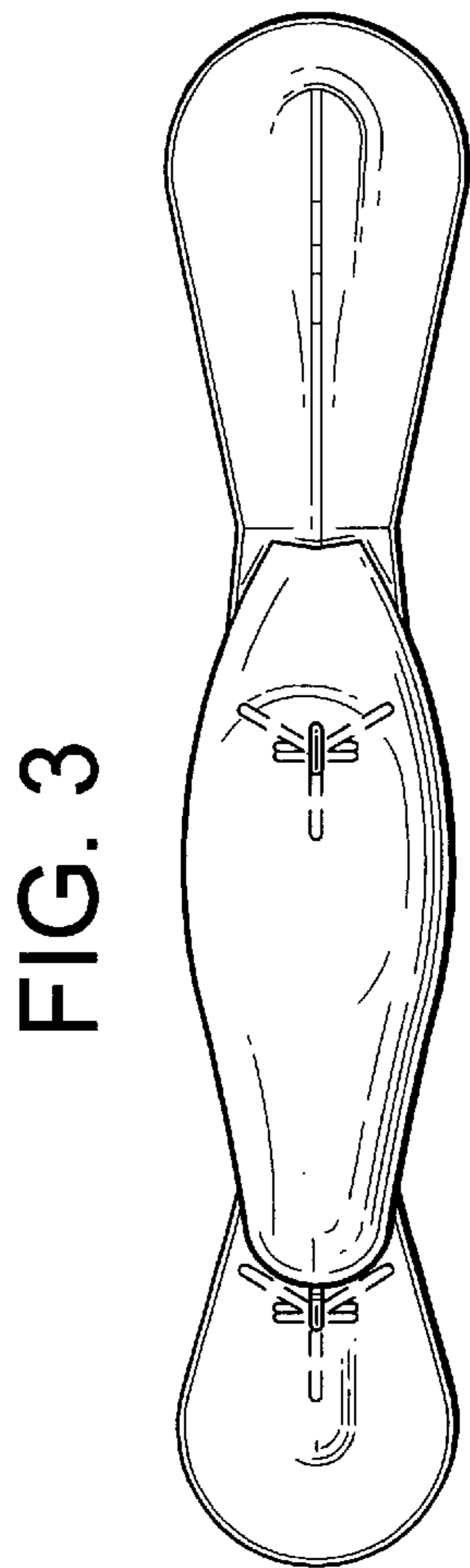
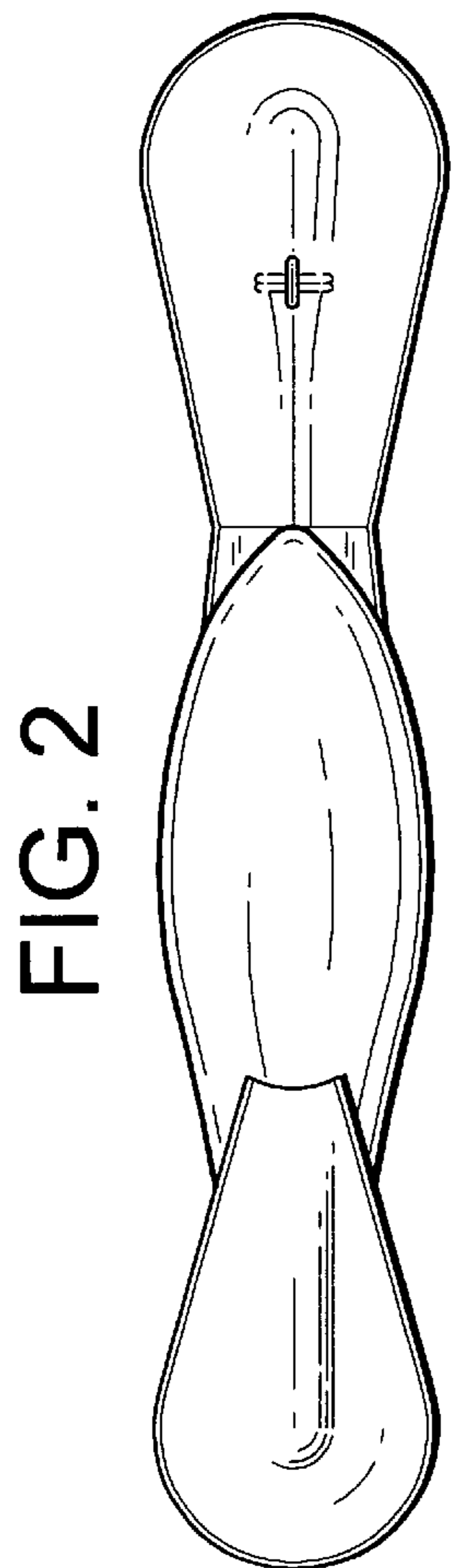


FIG. 6

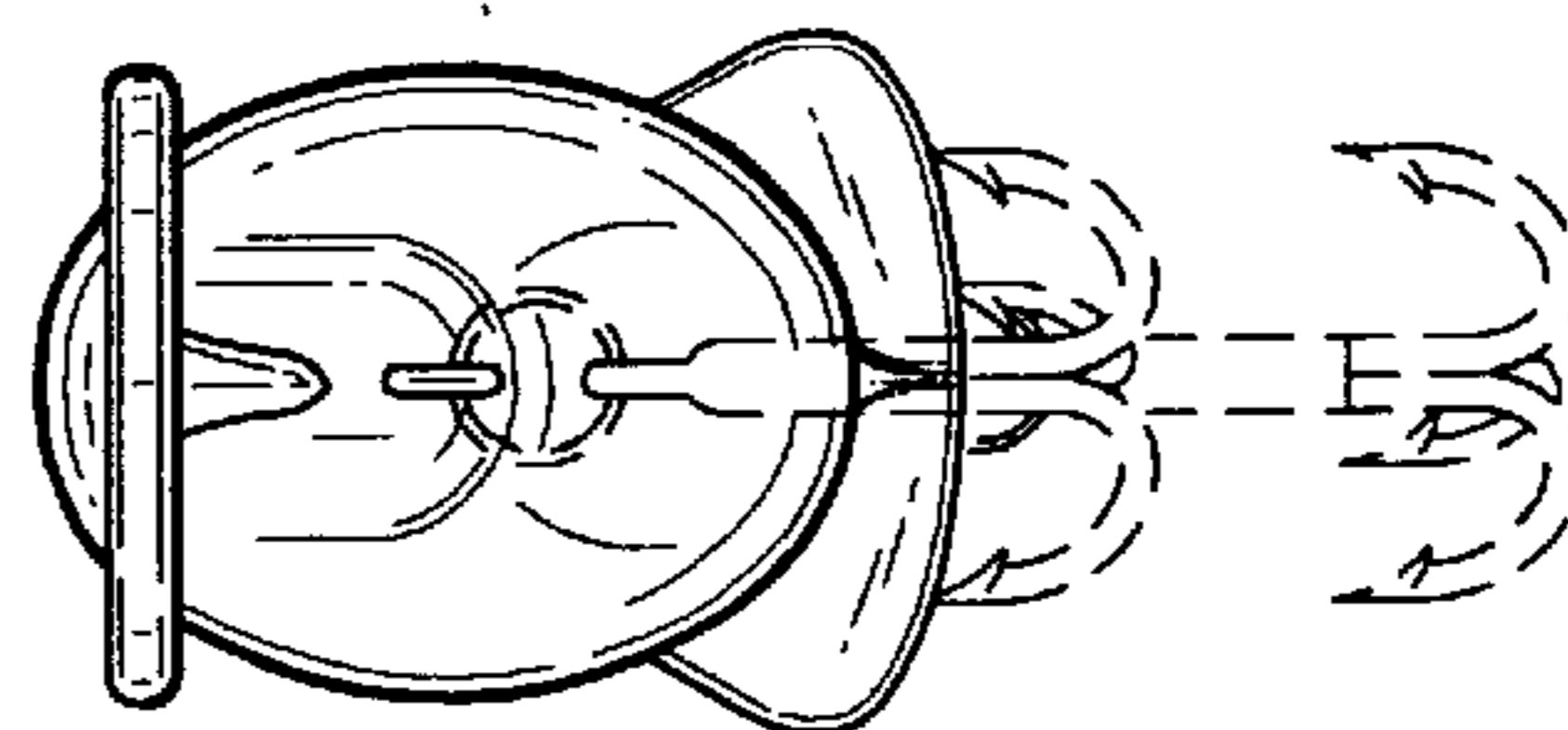


FIG. 5

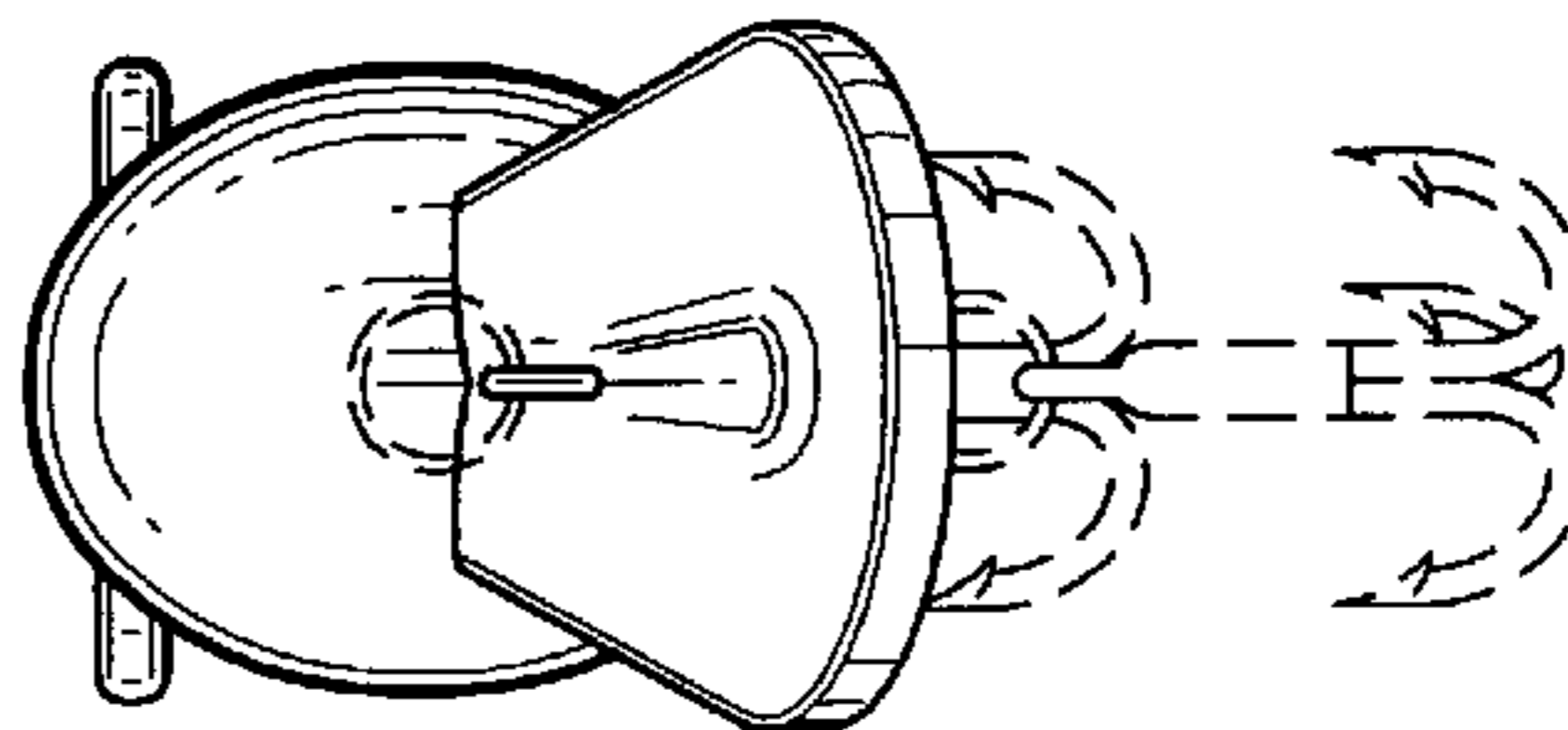


FIG. 4

