



US00D511364S

(12) **United States Design Patent** (10) **Patent No.:** **US D511,364 S**  
**McGarry** (45) **Date of Patent:** **\*\* Nov. 8, 2005**

- (54) **PISTOL**
- (75) Inventor: **James McGarry**, Prescott Valley, AZ (US)
- (73) Assignee: **Sturm, Ruger & Company, Inc.**, Southport, CT (US)
- (\*\*) Term: **14 Years**
- (21) Appl. No.: **29/207,085**
- (22) Filed: **Jun. 7, 2004**
- (51) **LOC (8) Cl.** ..... **22-01**
- (52) **U.S. Cl.** ..... **D22/104**
- (58) **Field of Search** ..... D22/100, 104, D22/105, 108, 199; D21/567, 573-575; 42/1.06, 7, 50, 53, 69.03, 70.01, 71.02; 89/14.3, 145, 163, 195, 196

(56) **References Cited**

**U.S. PATENT DOCUMENTS**

2,115,041	A	*	4/1938	Obregon	.....	D22/104
2,522,192	A	*	9/1950	Porter	.....	42/1.06
2,776,602	A	*	1/1957	Sturtevant	.....	42/7
2,935,000	A	*	5/1960	Mowrey	.....	89/14.3
2,943,412	A	*	7/1960	McNally	.....	42/69.03
2,959,107	A	*	11/1960	Sturtevant	.....	89/145
D249,800	S	*	10/1978	Yates et al.	.....	D22/104
4,742,634	A	*	5/1988	Swenson	.....	42/71.02
D300,057	S		2/1989	Ruger et al.	.....	D22/108
5,615,505	A	*	4/1997	Vaid	.....	42/50

**OTHER PUBLICATIONS**

Ruger 2004 Product Catalog, Dec. 2003, Rimfire Pistols, pp. 29-31.  
 Rifle, The Magazine For Shooters, "Testing Ten Nines" by Clay Harvey, Sep.-Oct. 1977, No. 53, pp. 22-23.  
 American Rifleman Magazine, "American Arms P98 Pistol," Mar. 1991, pp. 46-47.

Handguns for Sport & Defense, Nov. 1992, p. 52.  
 Guns & Ammo, Dec. 1992, p. 39.  
 Gun Digest, 55th Edition, 2001, pp. 49-53.  
 The P 38: The First Fifty Years (publication date unknown), Chapter 3 The Characteristics of the P38, pp. 45-46 (latter page showing photo of P 38 per caption).  
 Astra Automatic Pistols (publication date unknown), pp. 128-131 (photos indicating variously dates of firearm production shown on each page with exception of p. 131).  
 Ten Shots Quick, Savage .32 Caliber Automatic Pistol, p. 58 (caption indicating excerpt from 1914 catalog shown).  
 Publication Unknown, "Germany (pre-1945)," 7.65mm Parabellum Model 1900).  
 Publication Unknown, Pistols—9mm Walther P38, p. 40 (publication date unknown).  
 Publication Unknown, "Italy," 9mm Glisenti Model 10 and Brixia Model 12 (publication date unknown).

\* cited by examiner

*Primary Examiner*—Louis S. Zarfaz  
*Assistant Examiner*—Melanie Levy  
 (74) *Attorney, Agent, or Firm*—Morgan, Lewis & Bockius LLP

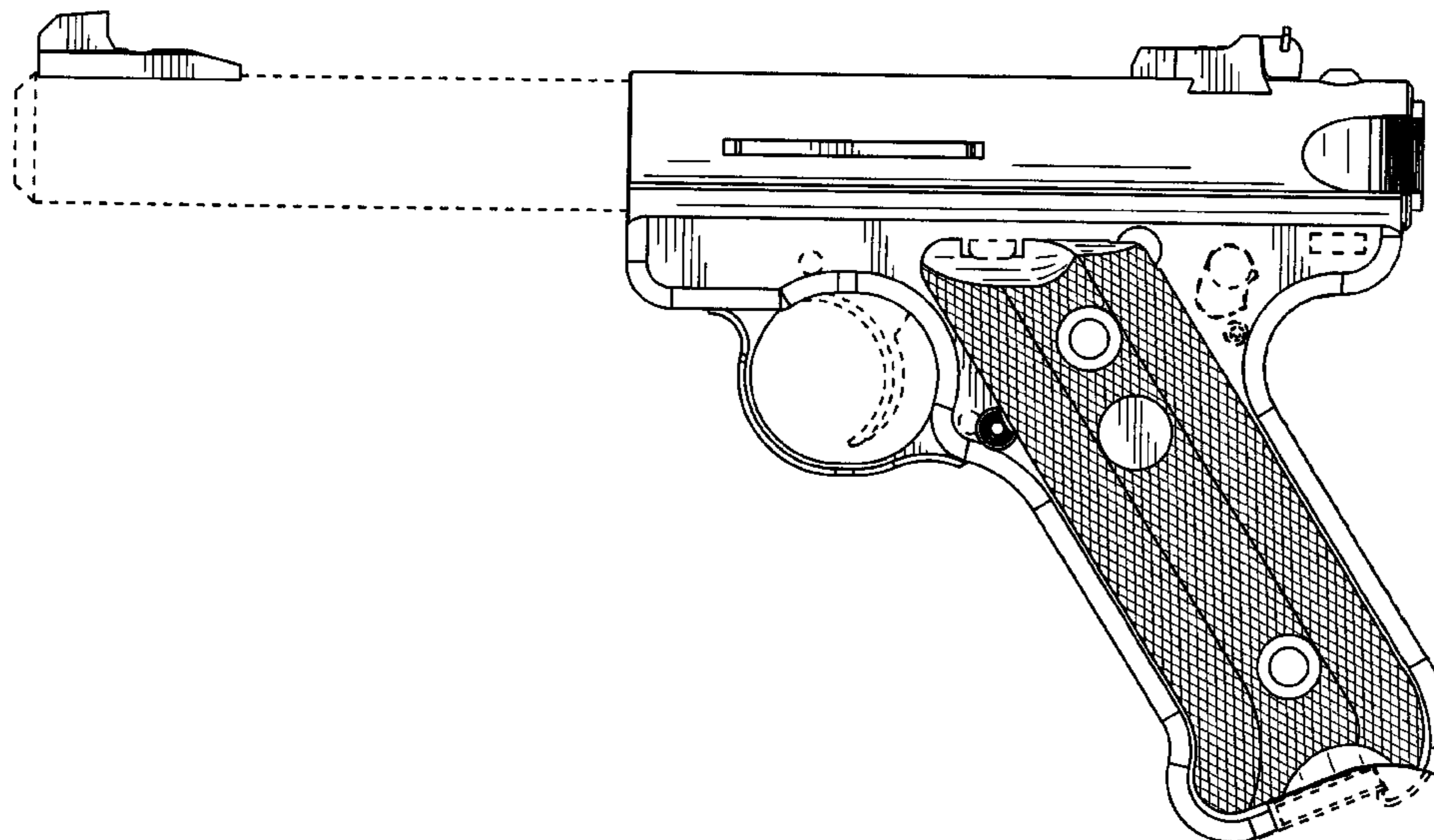
(57) **CLAIM**

The ornamental design for a pistol, as shown and described.

**DESCRIPTION**

FIG. 1 is a left side elevational view of a pistol showing my new design;  
 FIG. 2 is a right side elevational view thereof;  
 FIG. 3 is a top plan view thereof;  
 FIG. 4 is a bottom plan view thereof;  
 FIG. 5 is a front elevational view thereof; and,  
 FIG. 6 is a rear elevational view thereof.  
 All broken lines are for illustrative purposes only and form no part of the claimed design.

**1 Claim, 3 Drawing Sheets**



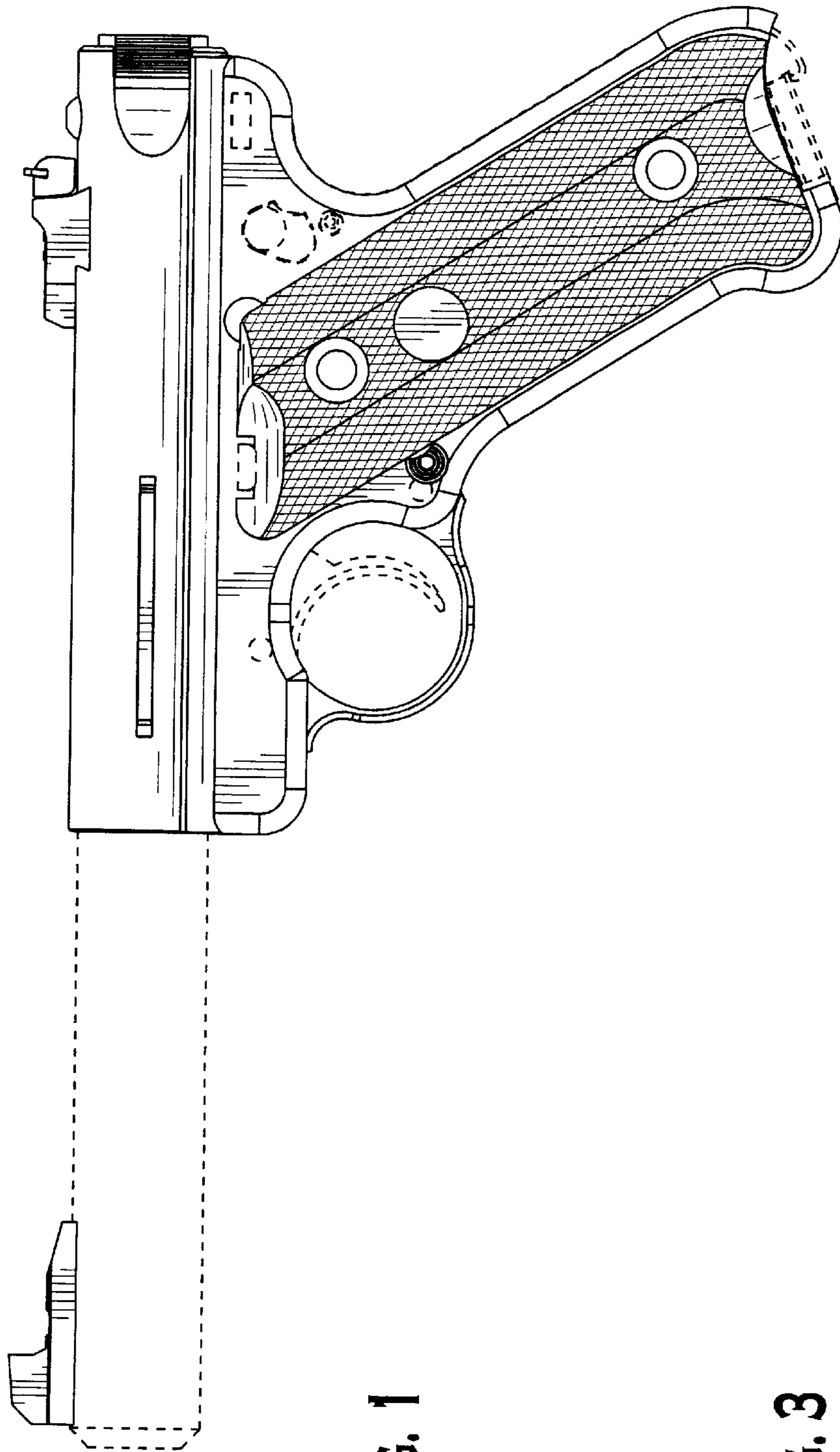


FIG. 1

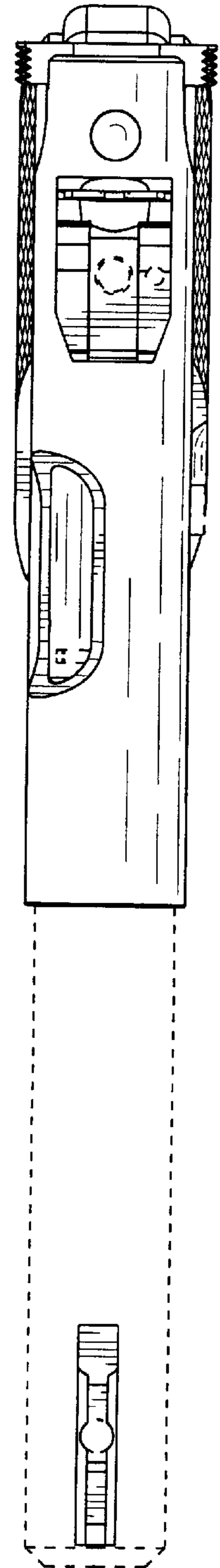


FIG. 3

FIG. 2

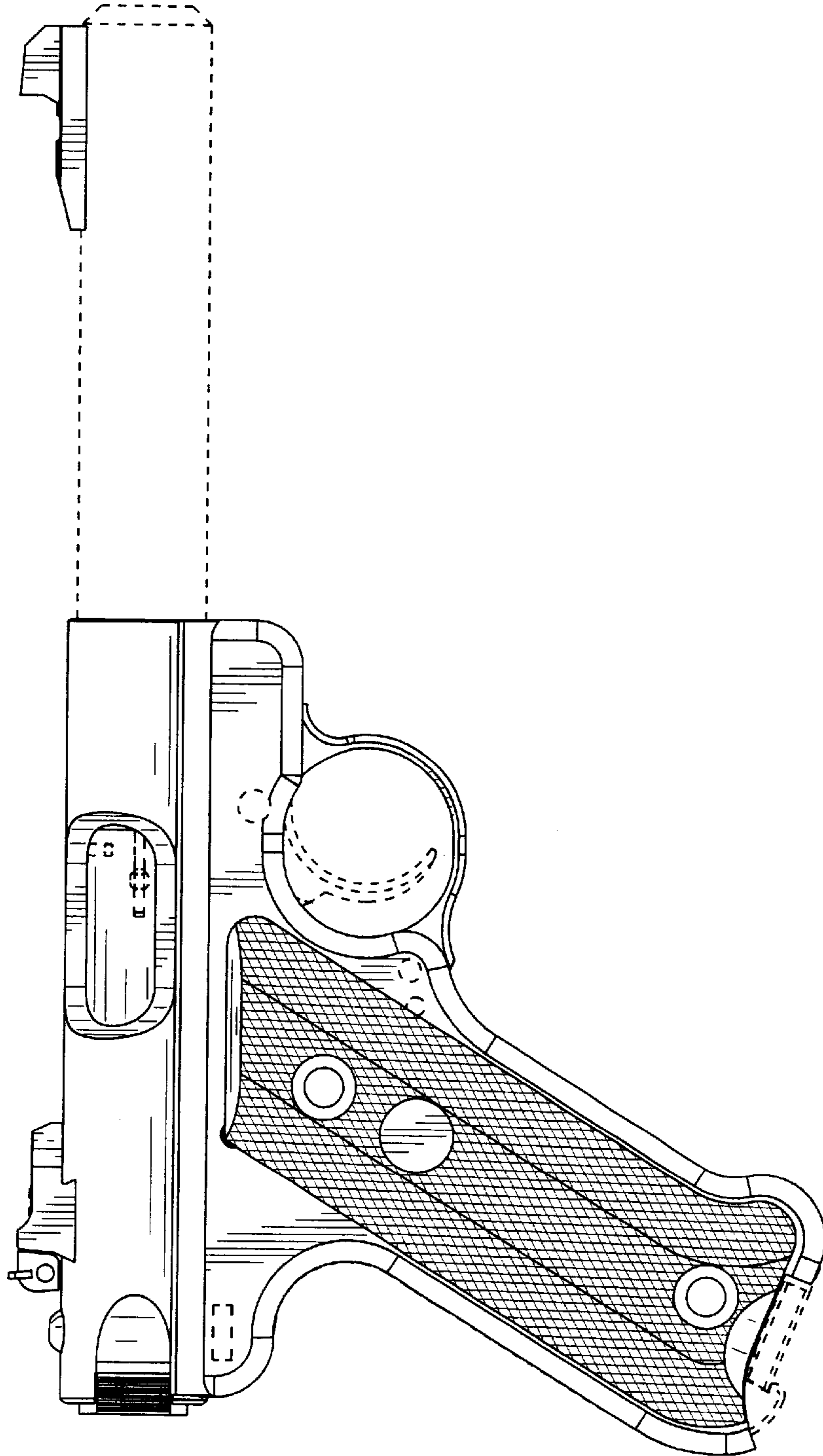


FIG. 4

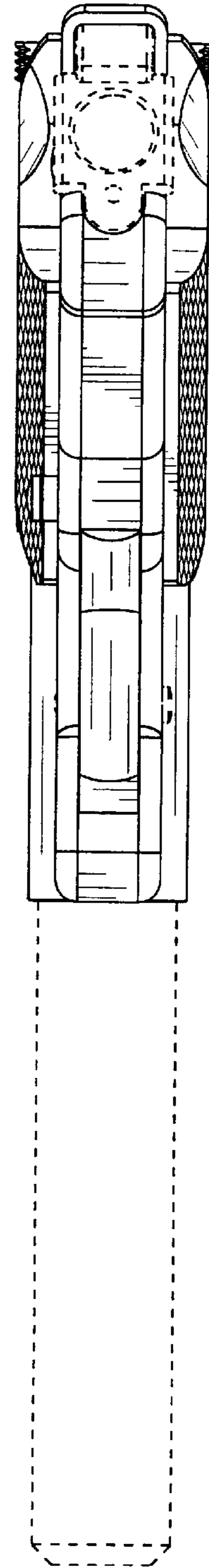




FIG. 5

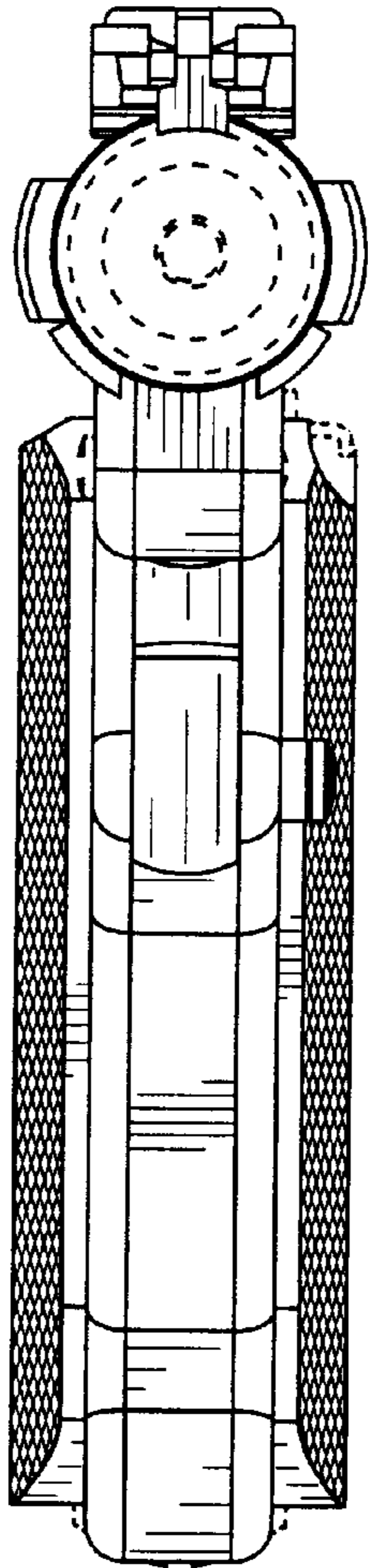


FIG. 6

