



US00D511360S

(12) **United States Design Patent**
Kawami

(10) **Patent No.:** **US D511,360 S**
(45) **Date of Patent:** **** Nov. 8, 2005**

(54) **HEAD FOR GOLF CLUB**

D502,975 S * 3/2005 Schweigert et al. D21/748

(75) Inventor: **Hiroshi Kawami**, Kobe (JP)

FOREIGN PATENT DOCUMENTS

(73) Assignee: **SRI Sports Limited**, Hyogo (JP)

JP D-1188175 S 10/2003

(**) Term: **14 Years**

OTHER PUBLICATIONS

(21) Appl. No.: **29/208,421**

“KingCobra SS-i Oversize”, p. 127, “Golf Equipment Universal Catalogue 2003”, published on Mar. 1, 2003.

(22) Filed: **Jun. 29, 2004**

* cited by examiner

(30) **Foreign Application Priority Data**

May 28, 2004 (JP) 2004-015816

Primary Examiner—Mitchell Siegel

(51) **LOC (8) Cl.** **21-02**

(74) *Attorney, Agent, or Firm*—Birch, Stewart, Kolasch & Birch, LLP

(52) **U.S. Cl.** **D21/747**

(58) **Field of Search** D21/747-751,
D21/759; 473/324-331, 350

(57) **CLAIM**

The ornamental design for a head for golf club, as shown and described.

(56) **References Cited**

DESCRIPTION

U.S. PATENT DOCUMENTS

The patent or application file contains at least one drawing executed in color. Copies of this patent or patent application publication with color drawing(s) will be provided by the Office upon request and payment of the necessary fee.

- 5,658,209 A * 8/1997 Blakemore 473/350
- D417,248 S * 11/1999 Matsuo D21/748
- 6,210,290 B1 * 4/2001 Erickson et al. 473/345
- D453,949 S * 2/2002 Helmstetter et al. D21/747
- D454,606 S * 3/2002 Helmstetter et al. D21/747
- D469,140 S * 1/2003 Best D21/759
- D475,108 S * 5/2003 Madore D21/759
- D481,775 S * 11/2003 Best D21/759
- D491,620 S * 6/2004 Nishitani D21/747
- D499,155 S * 11/2004 Imamoto D21/747

FIG. 1 is a perspective view of a head for golf club;
FIG. 2 is a front view thereof;
FIG. 3 is a left side view thereof;
FIG. 4 is a right side view thereof; and
FIG. 5 is a right side view thereof.

1 Claim, 3 Drawing Sheets

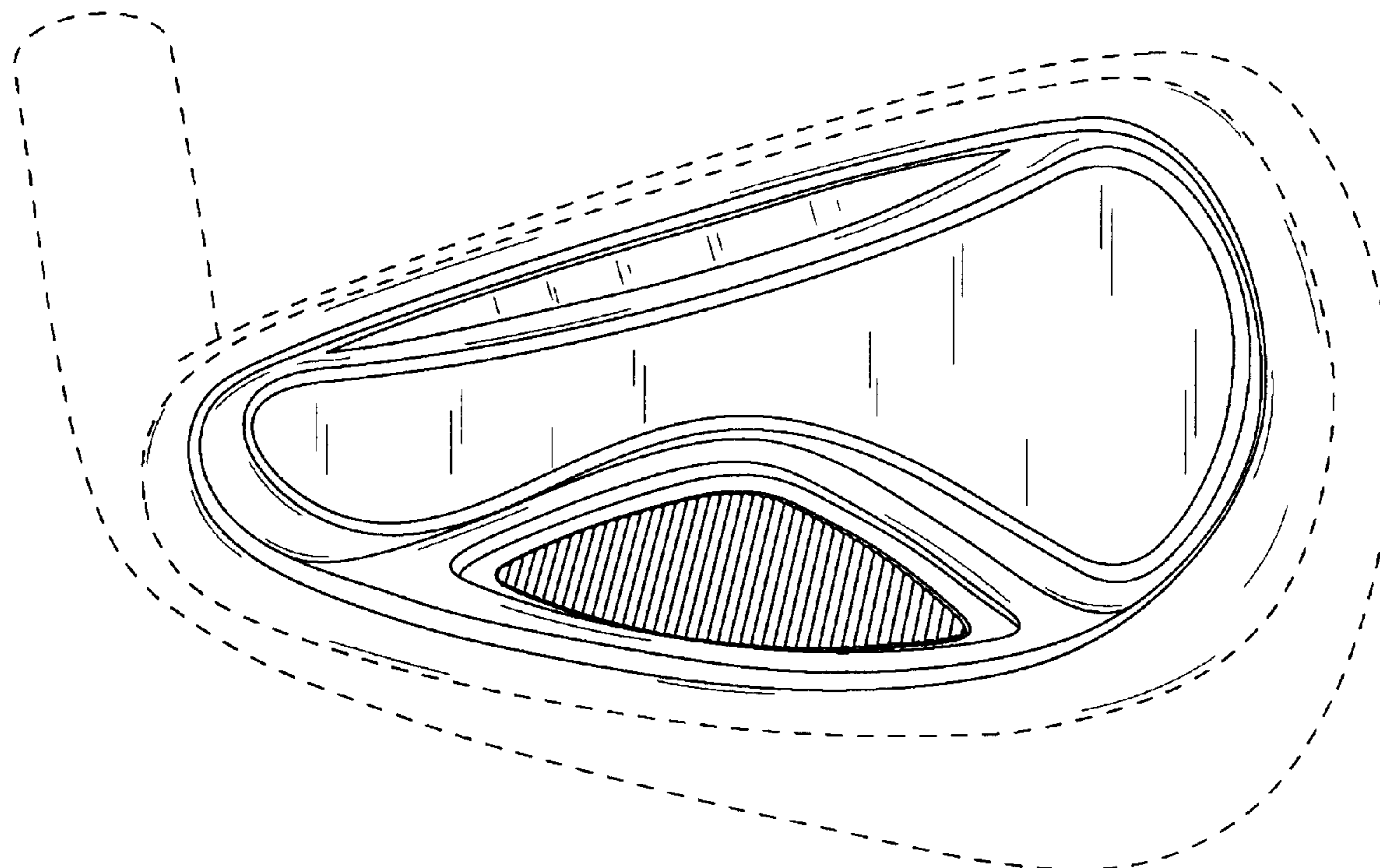


Fig. 1

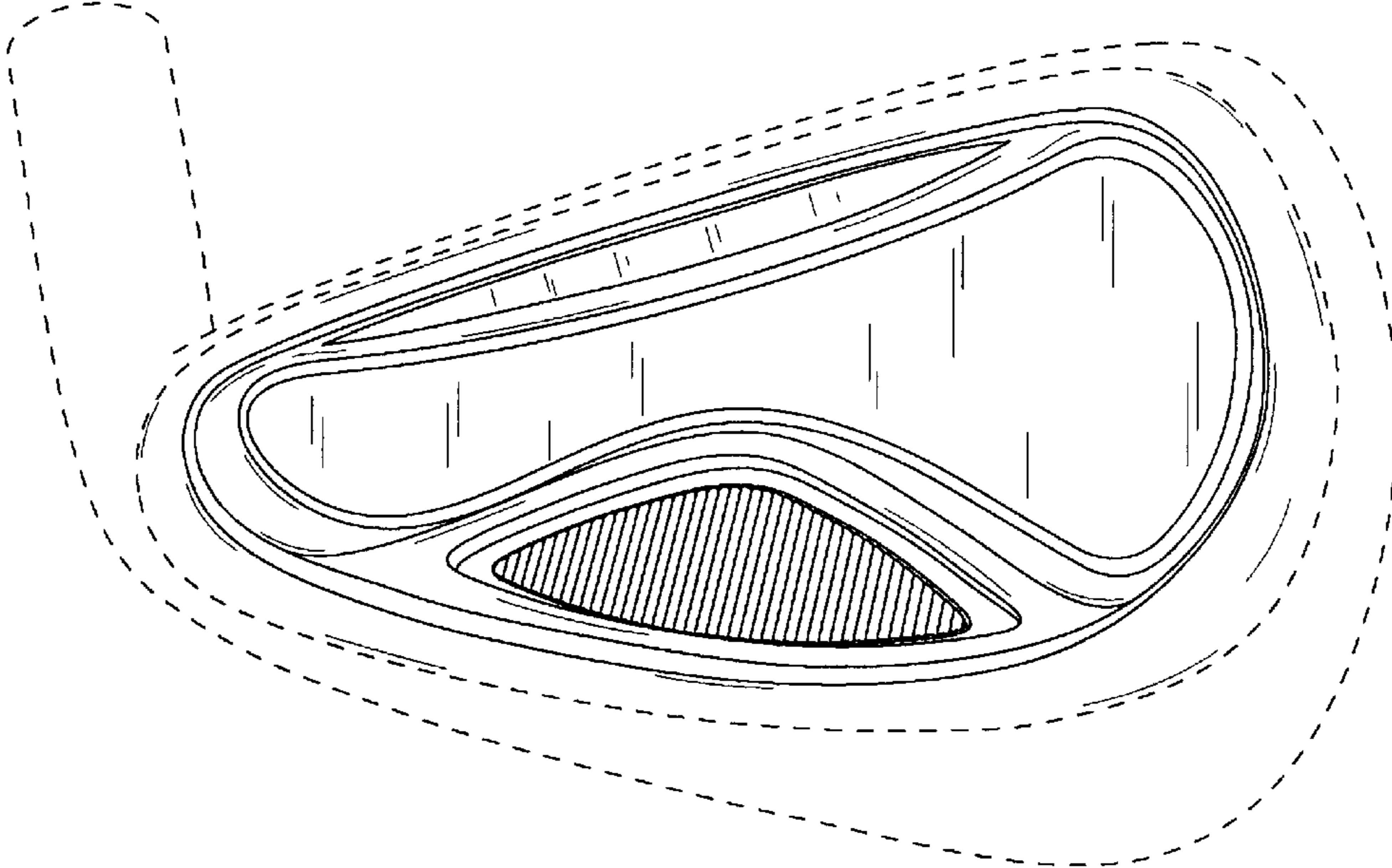


Fig. 2

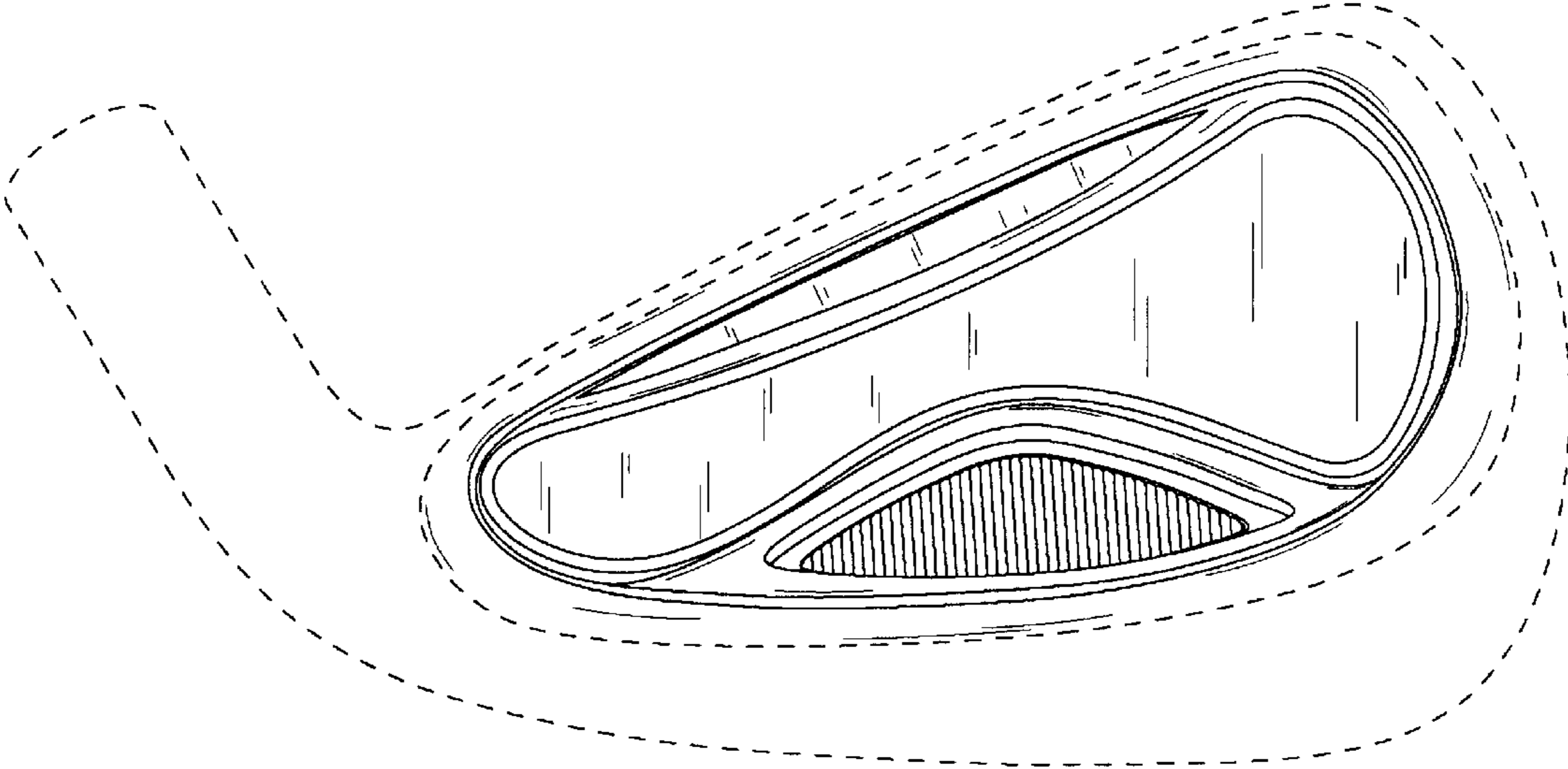


Fig. 3

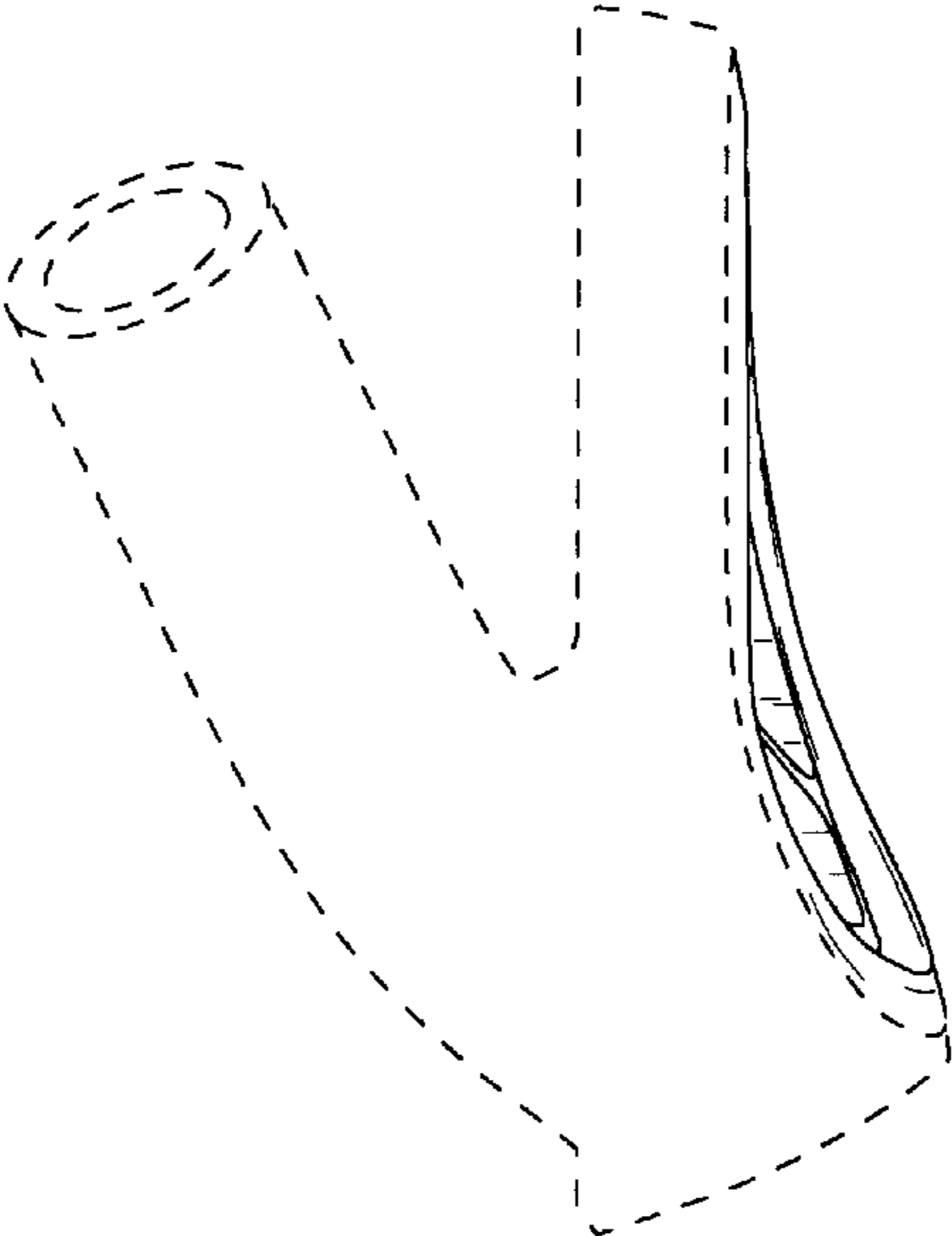


Fig. 4

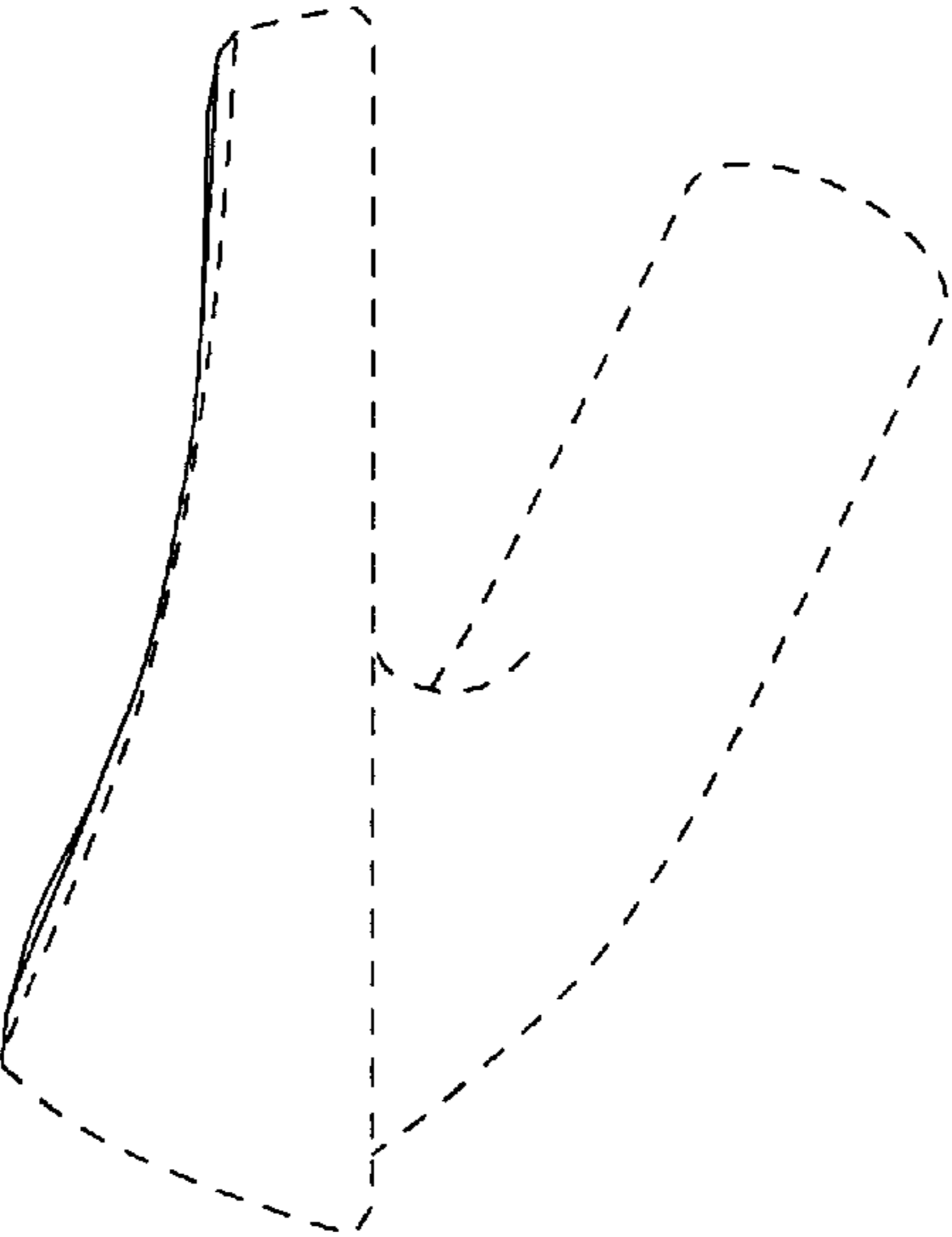


Fig. 5

