



US00D511358S

(12) **United States Design Patent** (10) **Patent No.:** **US D511,358 S**
Förster et al. (45) **Date of Patent:** **** Nov. 8, 2005**

(54) **TERMINAL FOR A VEHICLE WASHING MACHINE**

D384,107 S * 9/1997 Davis D20/1
D472,932 S * 4/2003 Showers et al. D20/1

(75) Inventors: **Heike Förster**, Sellgenstadt (DE);
Melitta Müller, Offenbach (DE);
Georg Wimmer, Affing (DE)

* cited by examiner

Primary Examiner—Robert A. Delehanty
(74) *Attorney, Agent, or Firm*—Martin Fleit; Paul D. Bianco; Fleit Kain Gibbons Gutman Bongini & Bianco P.L.

(73) Assignee: **Washtec Holding GmbH**, Augsburg (DE)

(57) **CLAIM**

(**) Term: **14 Years**

The ornamental design for a terminal for a vehicle washing machine, as shown and described.

(21) Appl. No.: **29/211,973**

DESCRIPTION

(22) Filed: **Aug. 24, 2004**

(30) **Foreign Application Priority Data**

Feb. 24, 2004 (EM) 000137054

(51) **LOC (8) Cl.** **20-01**

(52) **U.S. Cl.** **D20/1; D32/4**

(58) **Field of Search** D20/1; D32/4,
D32/25; 15/97.3, 53.1; 134/45, 123, 56 R,
58 R

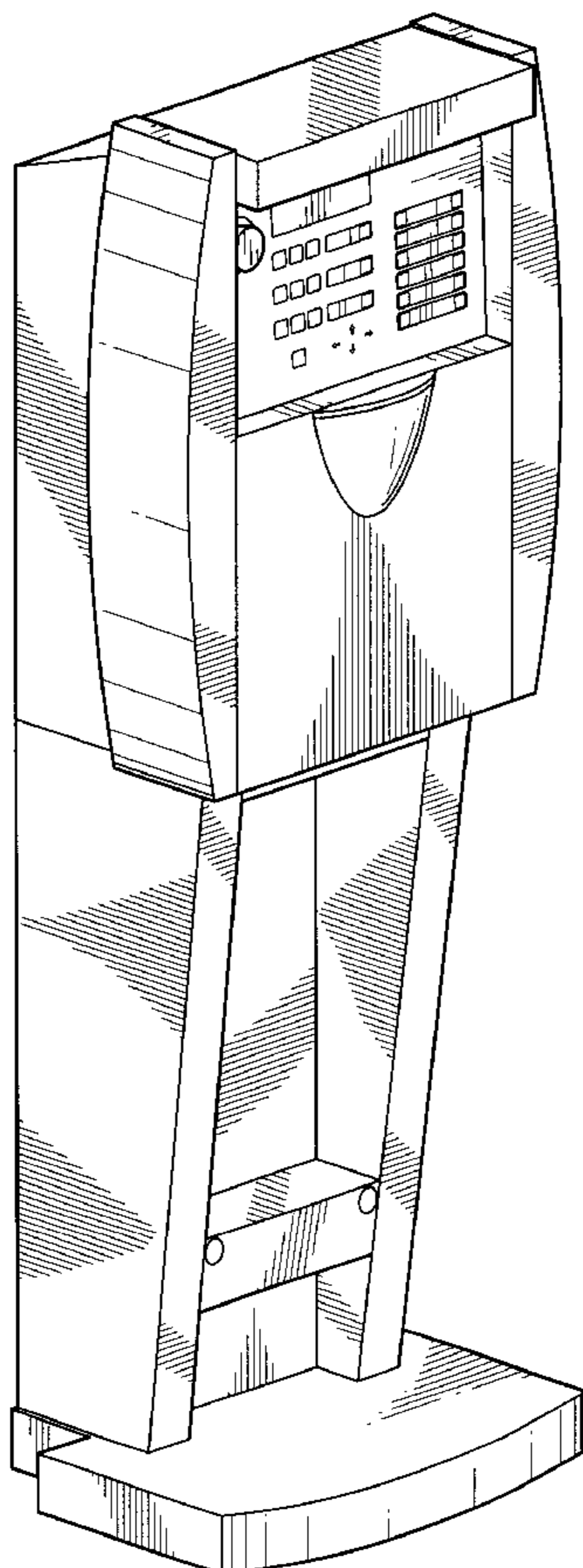
FIG. 1 is a front view of the terminal for a vehicle washing machine showing a first embodiment of the new design; FIG. 2 is a left side view of the terminal for a vehicle washing machine shown in FIG. 1; FIG. 3 is a rear view of the terminal for a vehicle washing machine shown in FIG. 1; FIG. 4 is a right side view of the terminal for a vehicle washing machine shown in FIG. 1; FIG. 5 is a top view of the terminal for a vehicle washing machine shown in FIG. 1; FIG. 6 is a bottom view of the terminal for a vehicle washing machine shown in FIG. 1; and, FIG. 7 is a perspective view of the terminal for a vehicle washing machine shown in FIG. 1.

(56) **References Cited**

U.S. PATENT DOCUMENTS

D289,778 S * 5/1987 Thomas D20/1
D362,689 S * 9/1995 Goldman et al. D20/1

1 Claim, 6 Drawing Sheets



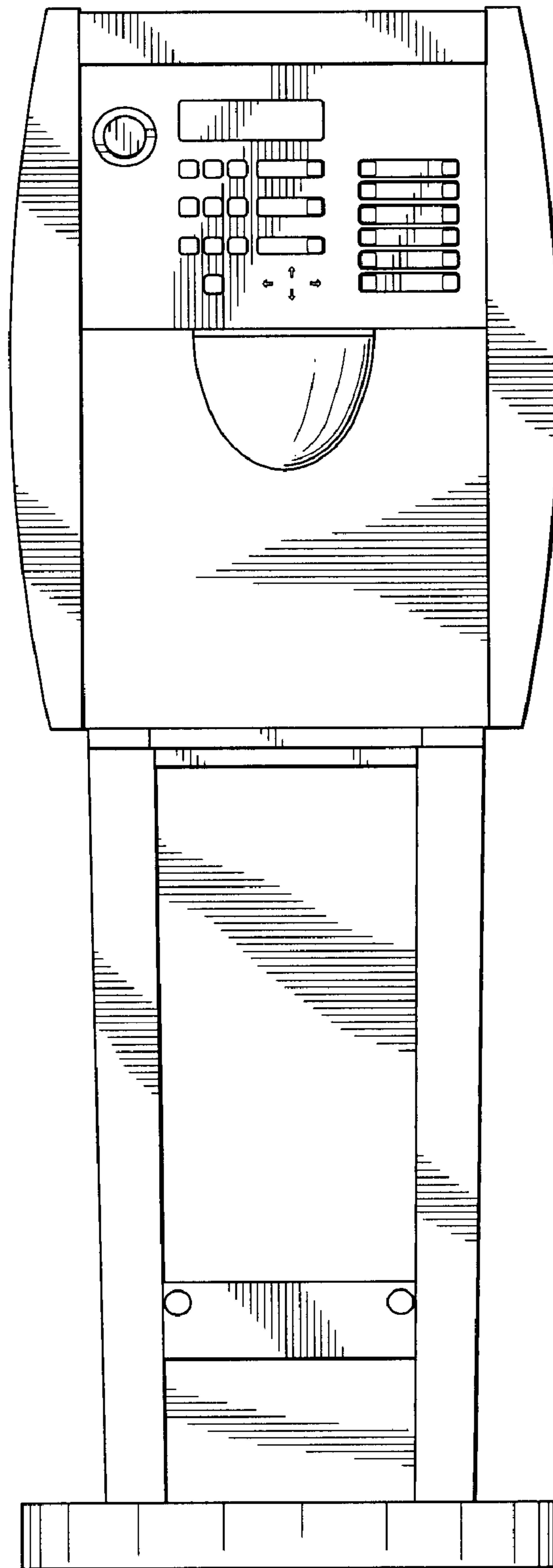


FIG. 1

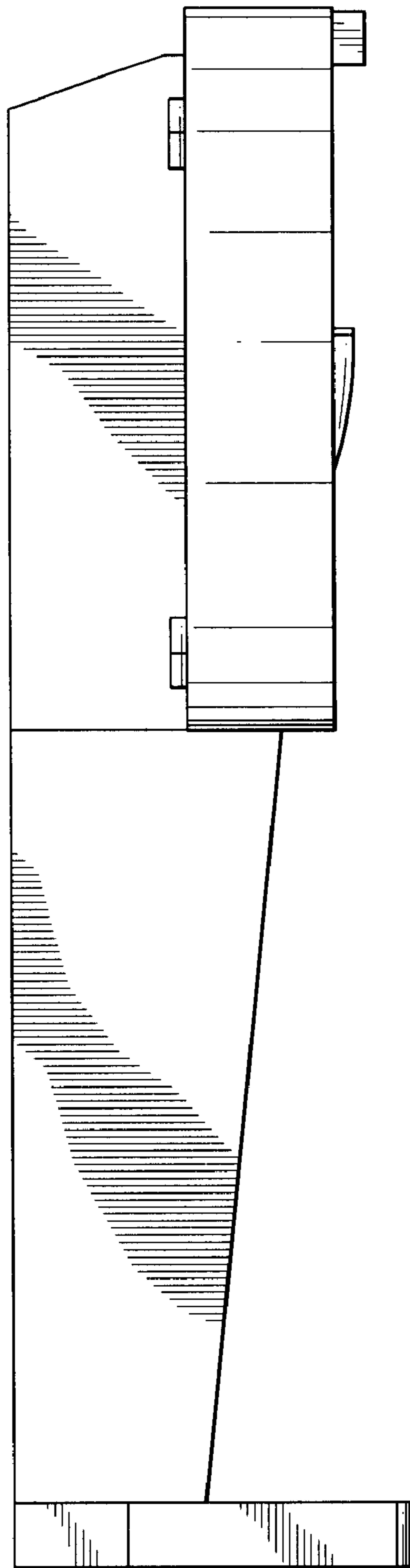


FIG. 2

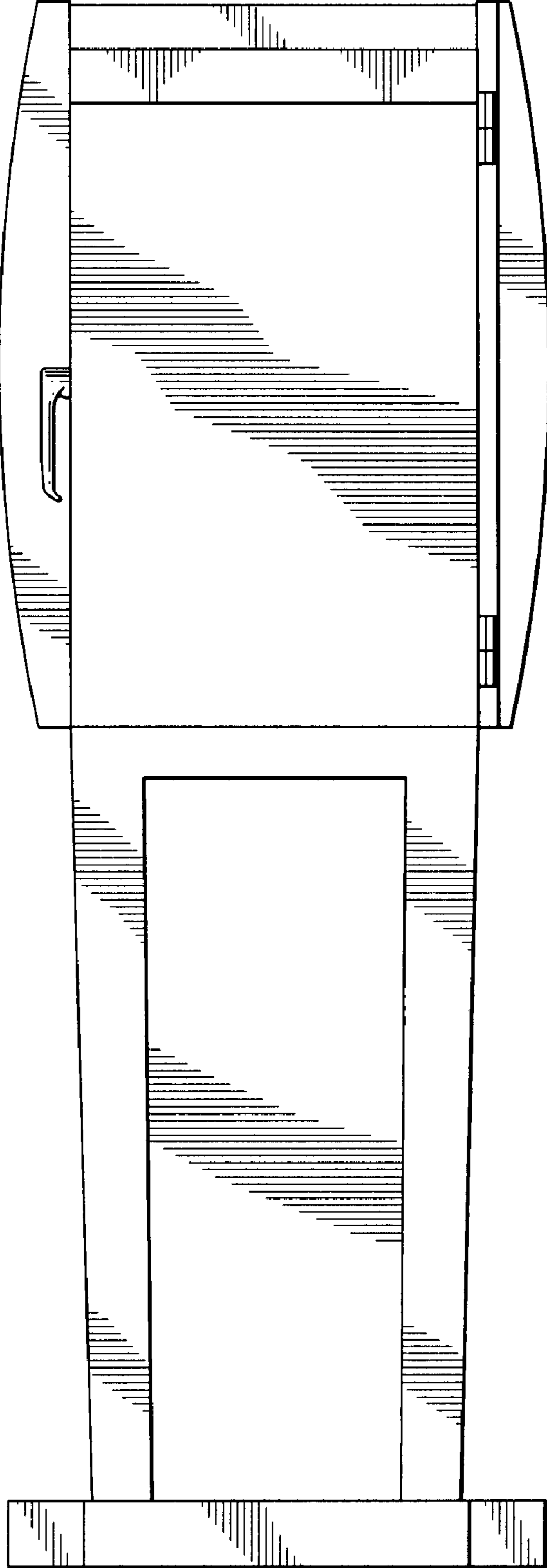


FIG. 3

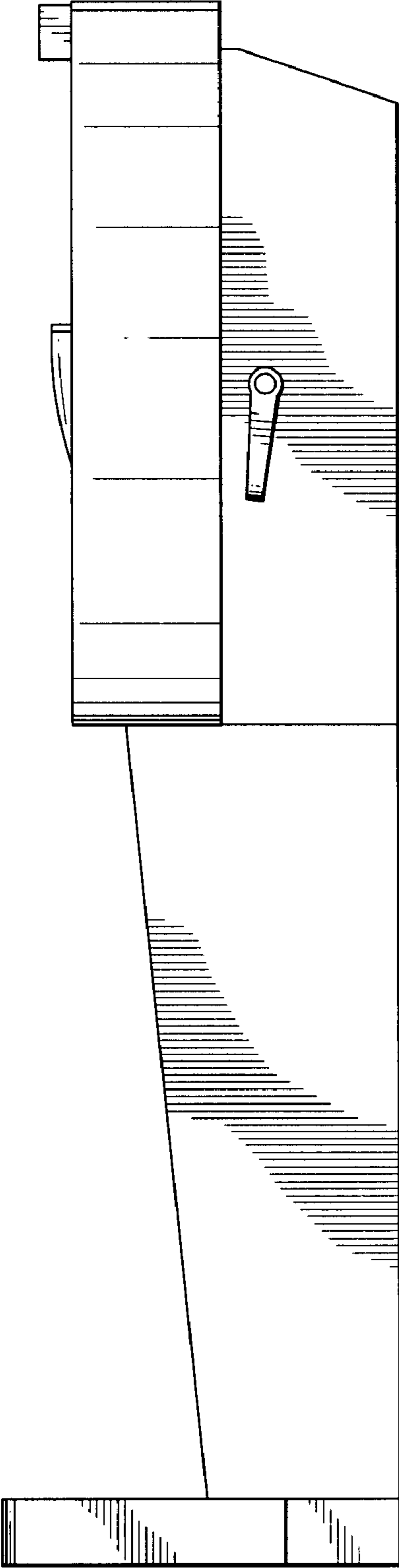


FIG. 4

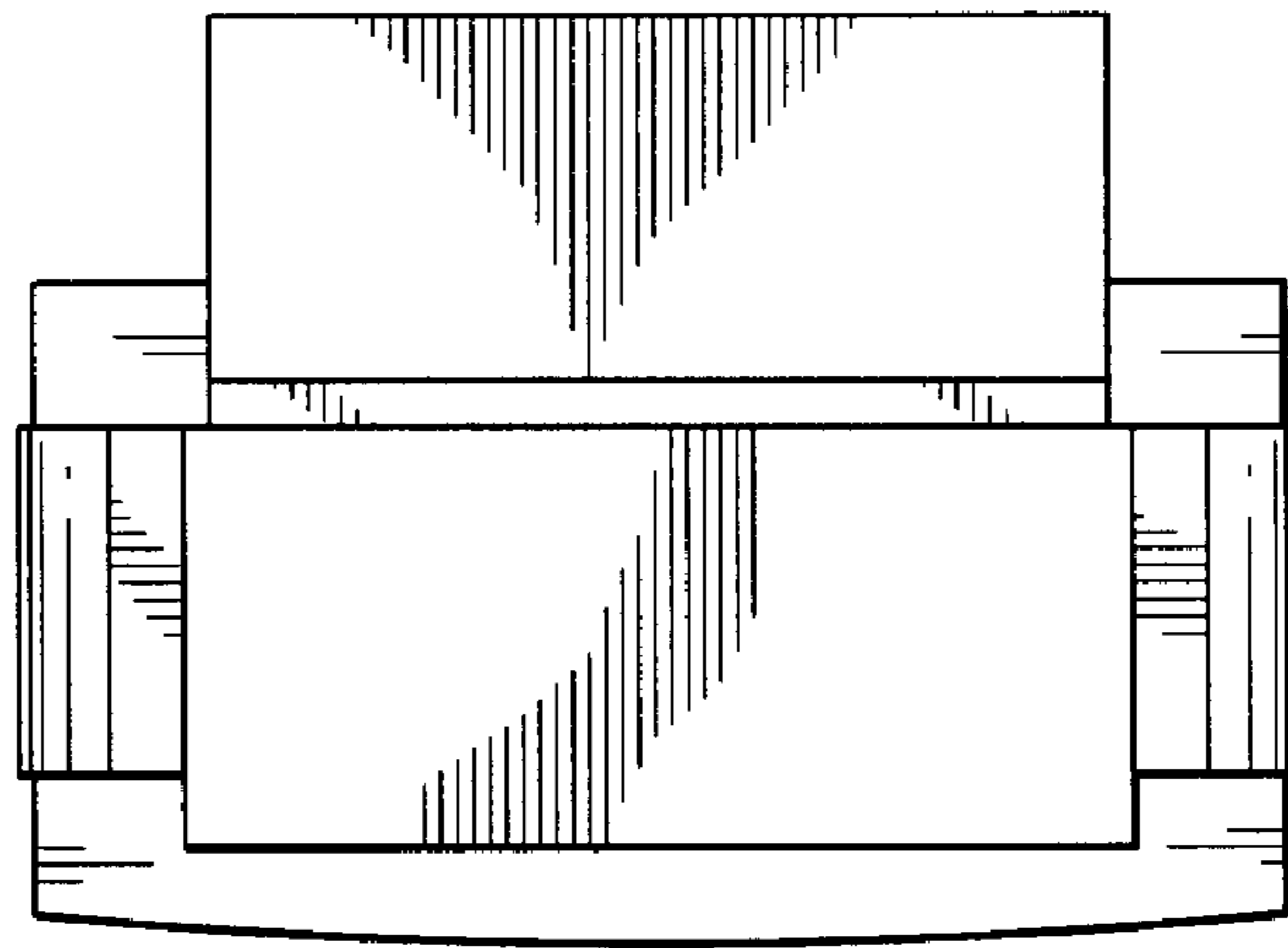


FIG. 5

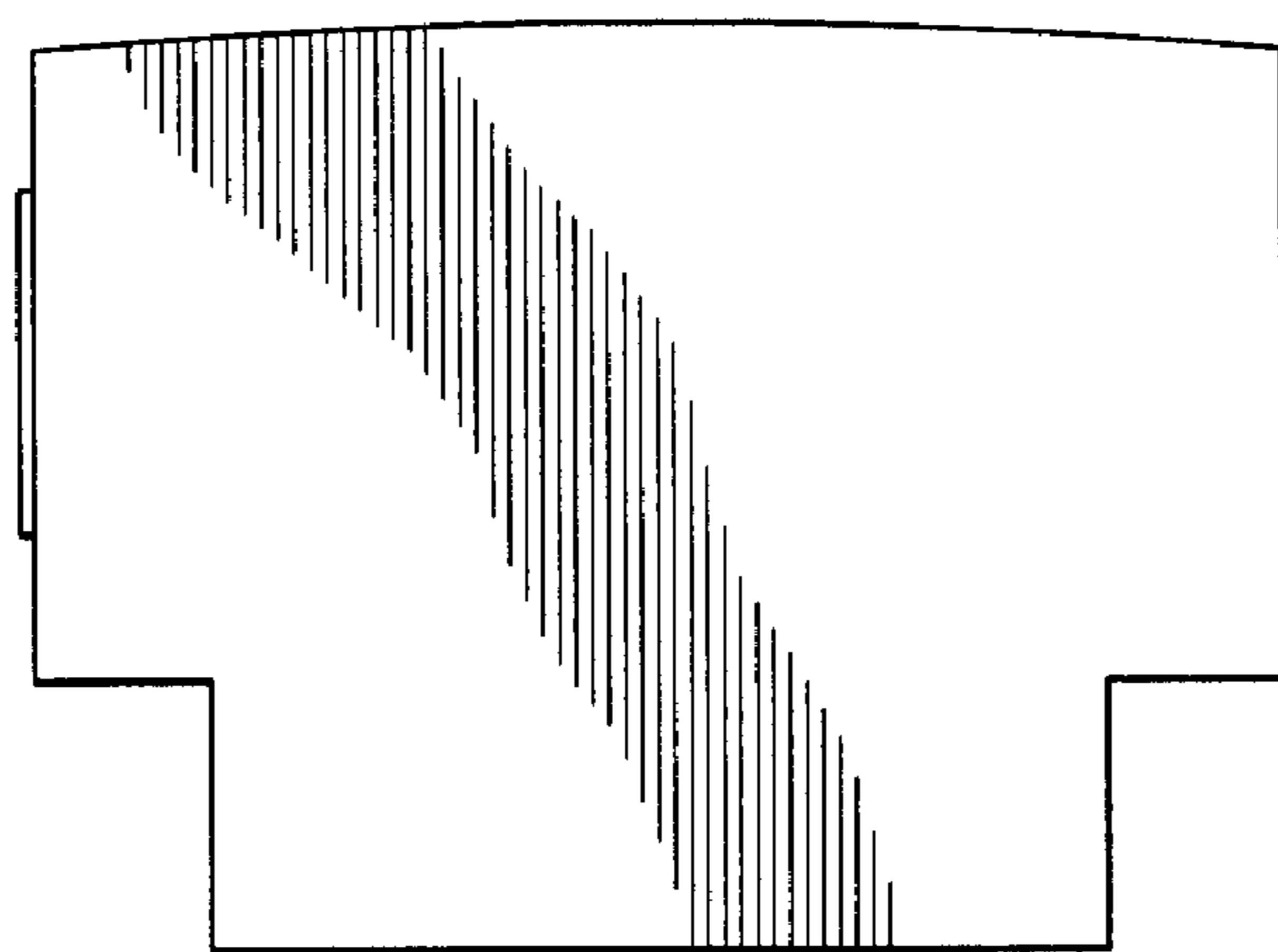


FIG. 6

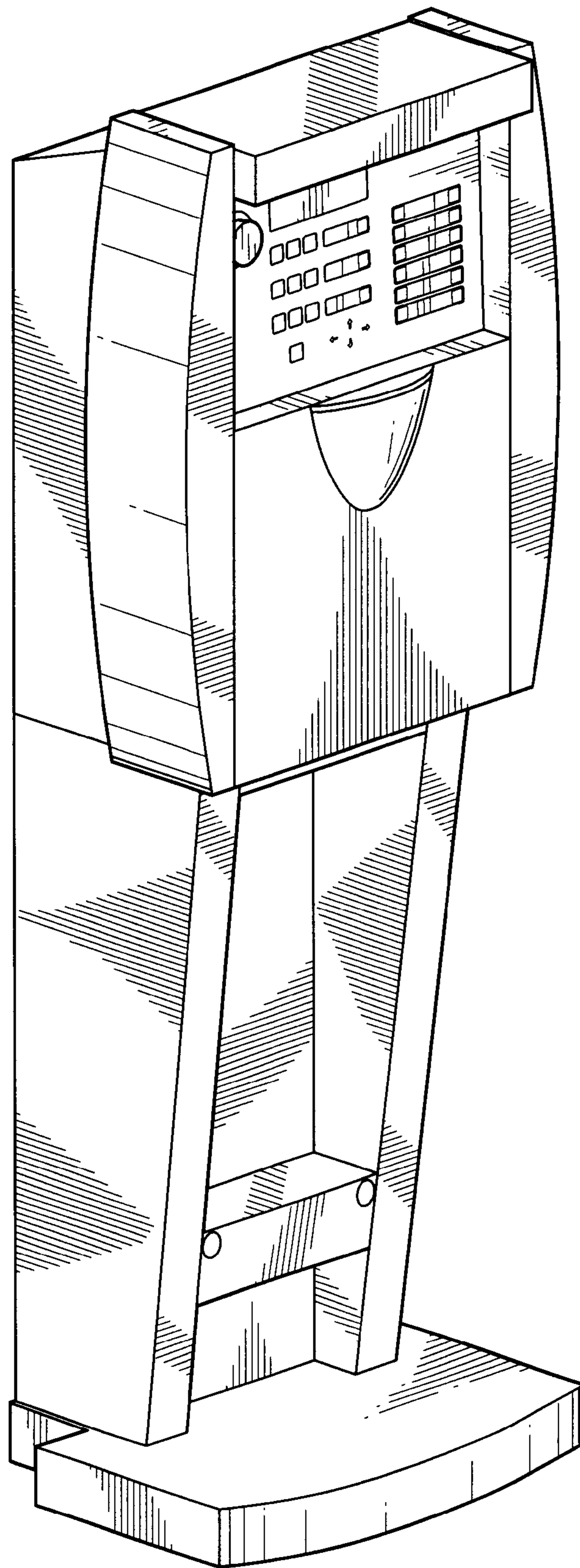


FIG. 7