



US00D511356S

(12) **United States Design Patent**
Oh

(10) **Patent No.:** **US D511,356 S**

(45) **Date of Patent:** **** Nov. 8, 2005**

(54) **CRAFT PUNCH**

(75) **Inventor:** **Wan-Young Oh, Seoul (KR)**

(73) **Assignee:** **DN Craft Corporation, Seoul (KR)**

(**) **Term:** **14 Years**

(21) **Appl. No.:** **29/222,509**

(22) **Filed:** **Jan. 31, 2005**

(51) **LOC (8) Cl.** **19-02**

(52) **U.S. Cl.** **D19/72; D19/35**

(58) **Field of Search** **D8/49, 50, 98;**
D19/65, 72, 95, 35, 36, 99, 100; 83/145,
166, 167, 468.9, 571, 549, 588, 618, 620,
633; 30/358

(56) **References Cited**

U.S. PATENT DOCUMENTS

D373,385 S	*	9/1996	Birkholz	D19/72
5,601,006 A	*	2/1997	Quinn et al.	83/588
D393,657 S	*	4/1998	Bennett	D19/72
D395,676 S	*	6/1998	Chiou	D19/72
D397,725 S	*	9/1998	Mori	D19/72
D398,647 S	*	9/1998	Mori	D19/72

D406,606 S	*	3/1999	Lee	D19/72
D407,752 S	*	4/1999	Kim et al.	D19/72
D415,529 S	*	10/1999	Mori	D19/72
6,000,139 A	*	12/1999	Chan	30/358
6,209,434 B1	*	4/2001	Kim et al.	83/549
6,752,058 B2	*	6/2004	Oh	83/620

* cited by examiner

Primary Examiner—Martie K. Holtje

(74) *Attorney, Agent, or Firm*—Jones Day

(57) **CLAIM**

The ornamental design for a craft punch, as shown and described.

DESCRIPTION

FIG. 1 is a front end, right side and top perspective view of an ornamental design for a craft punch according to the present invention;

FIG. 2 is a front elevation view thereof;

FIG. 3 is a rear elevation view thereof;

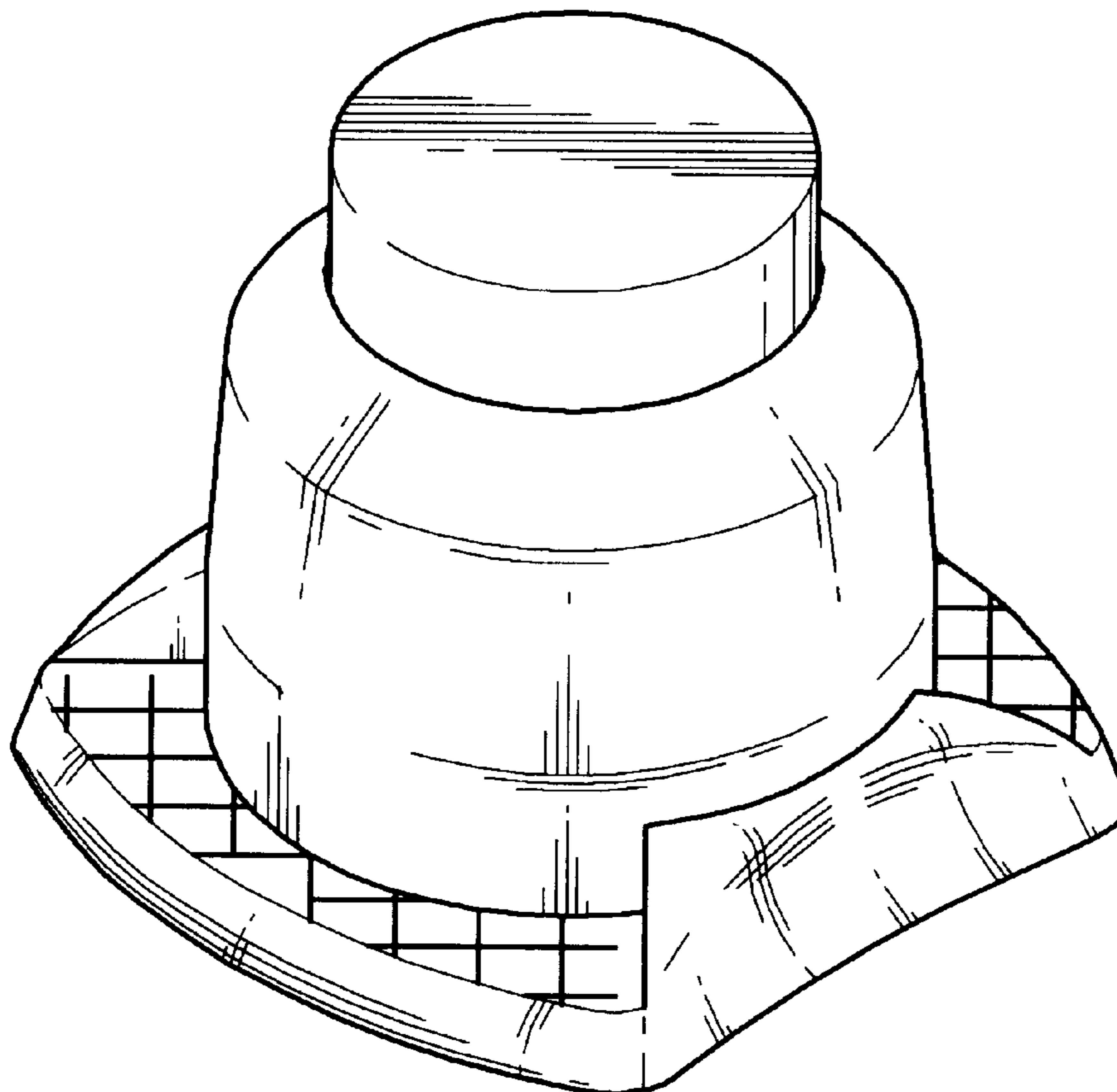
FIG. 4 is a right side elevation view thereof;

FIG. 5 is a left side elevation view thereof;

FIG. 6 is a top plan view thereof; and,

FIG. 7 is a bottom plan view thereof.

1 Claim, 4 Drawing Sheets



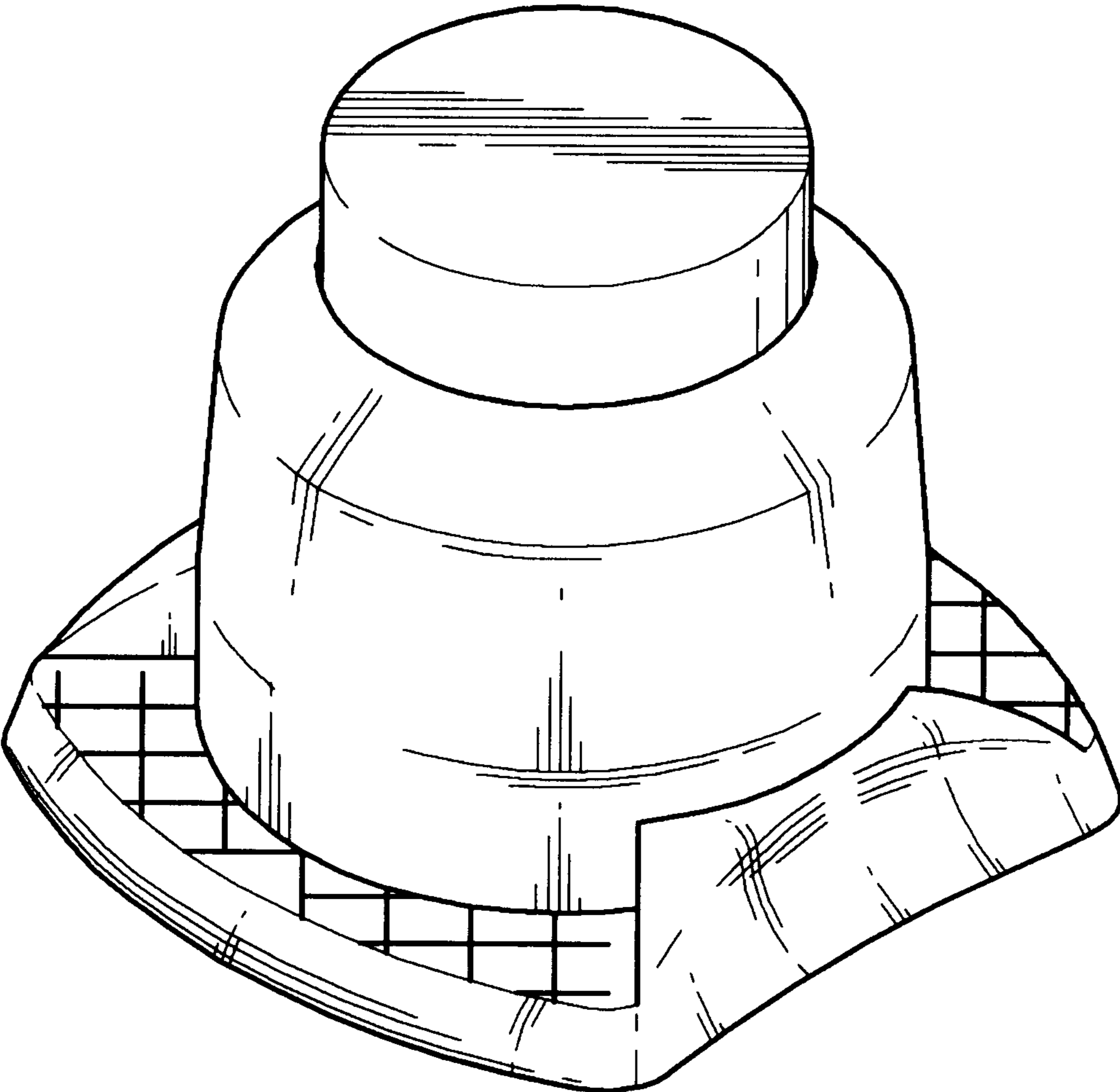


FIG. 1

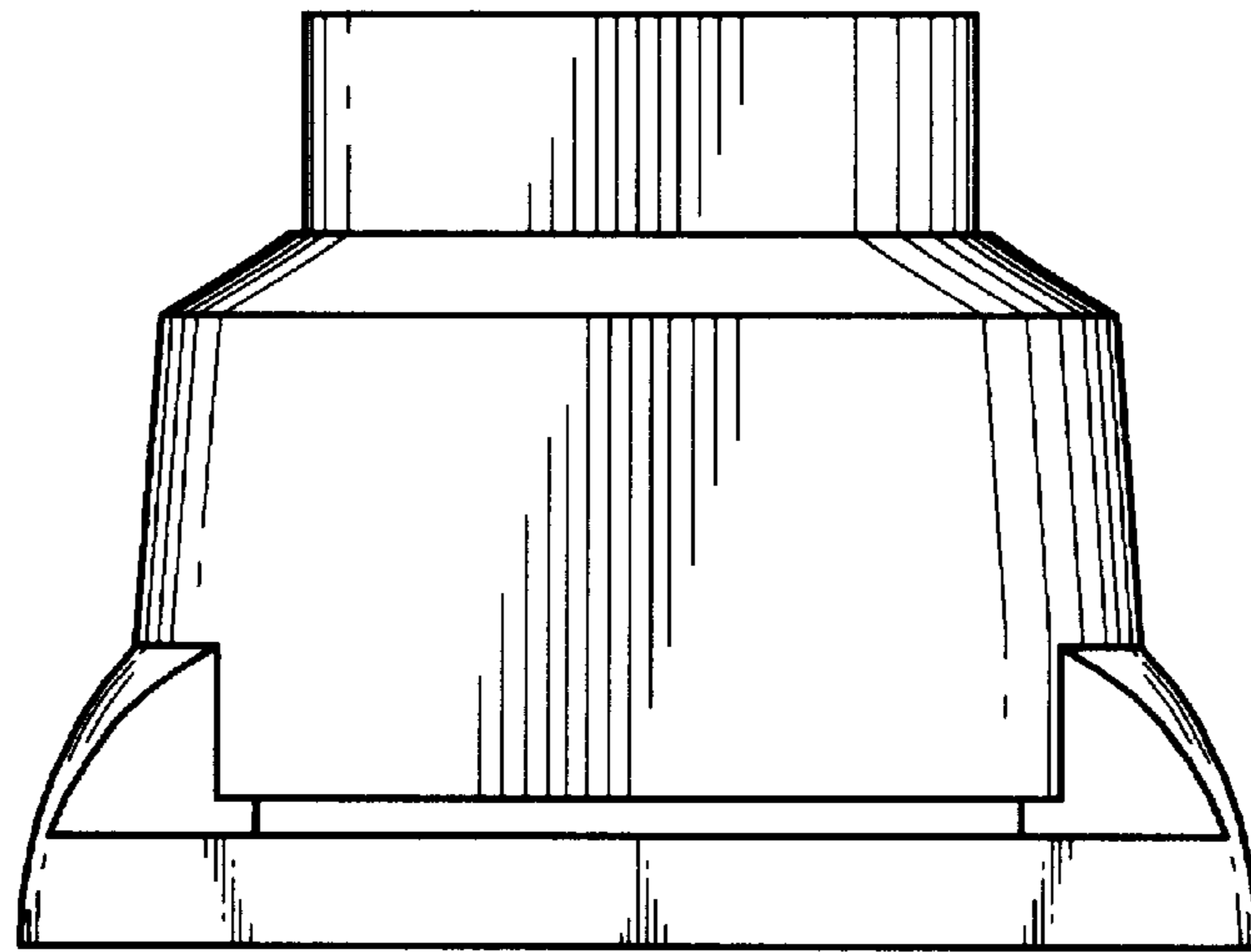


FIG. 2

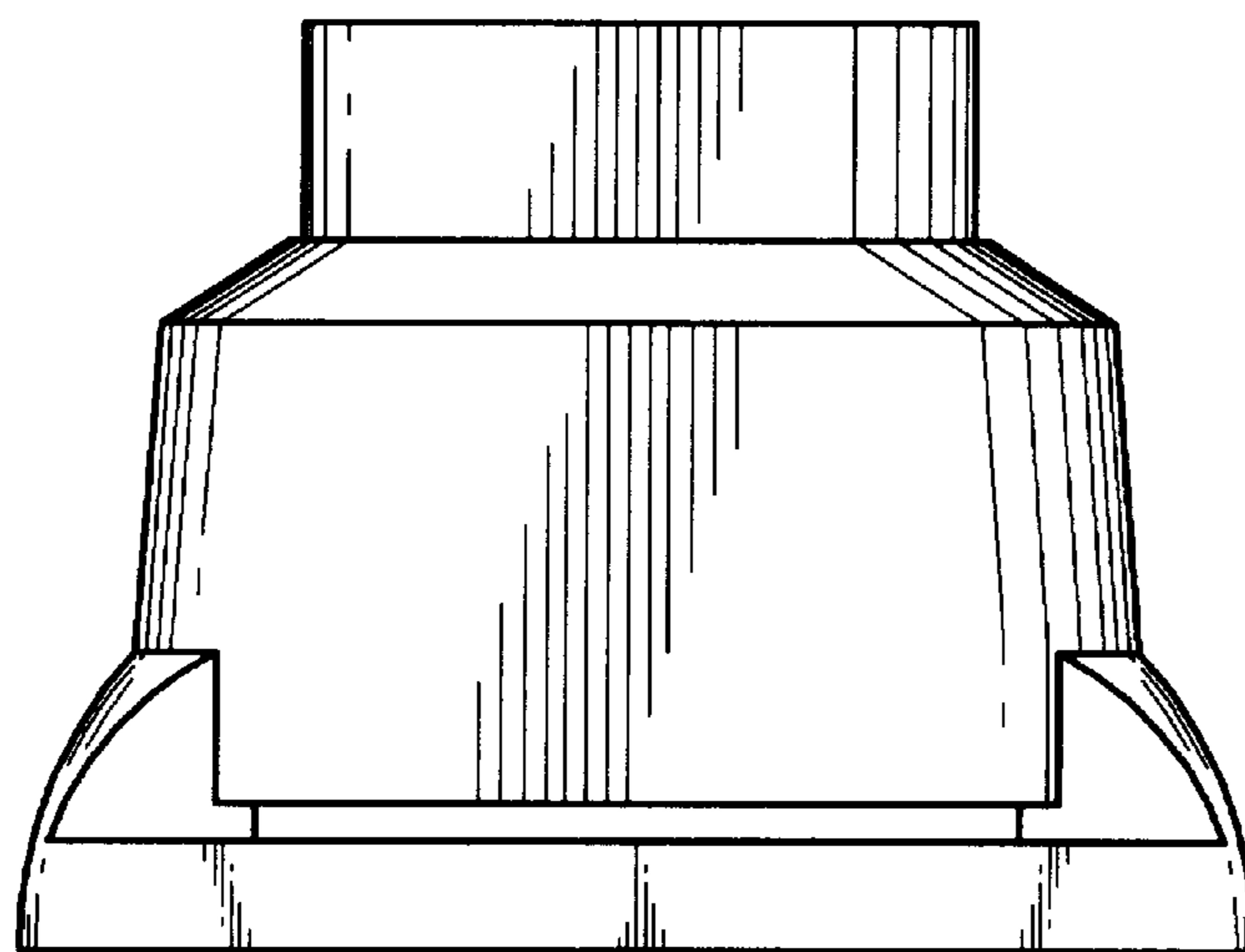


FIG. 3

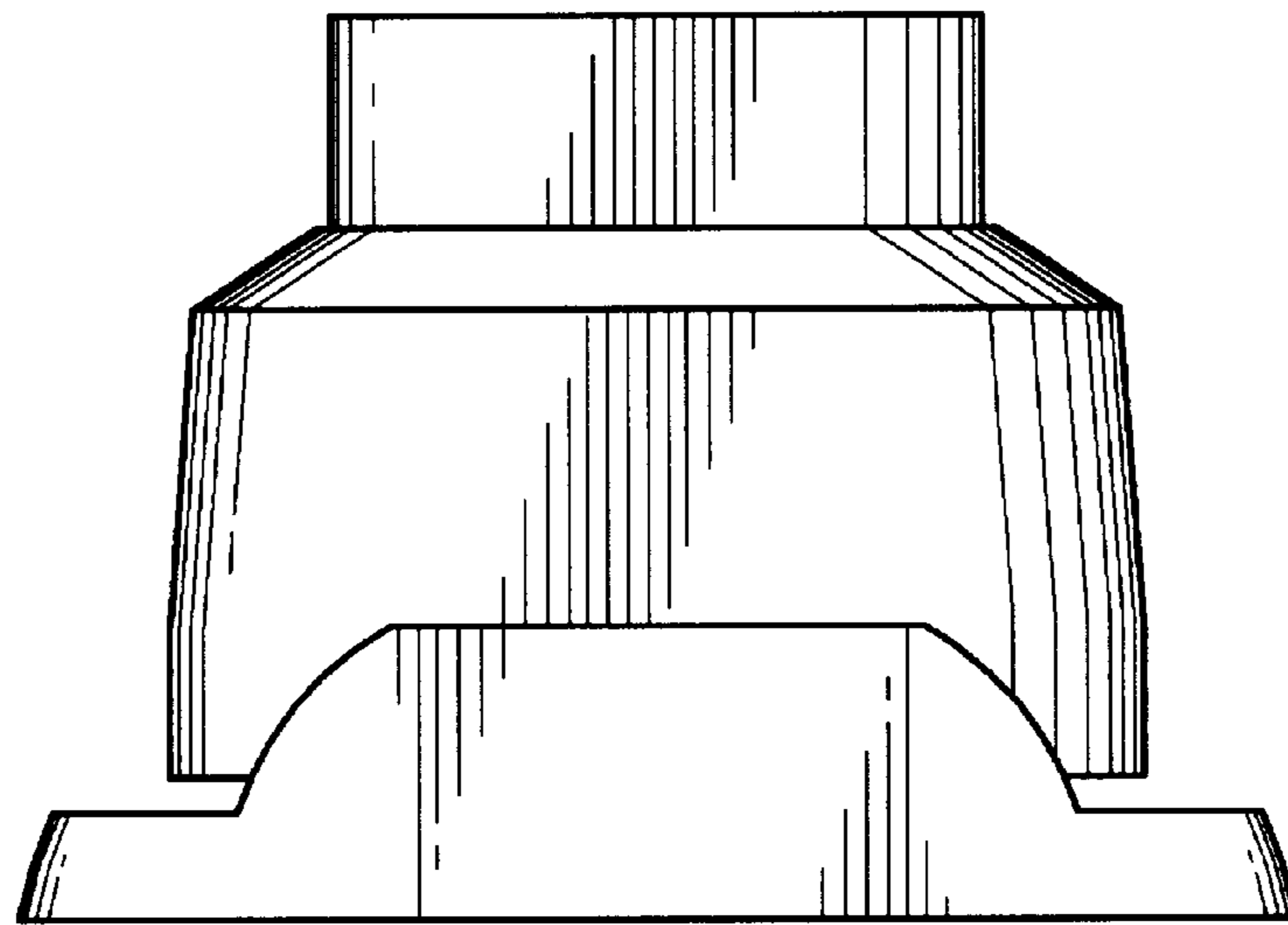


FIG. 4

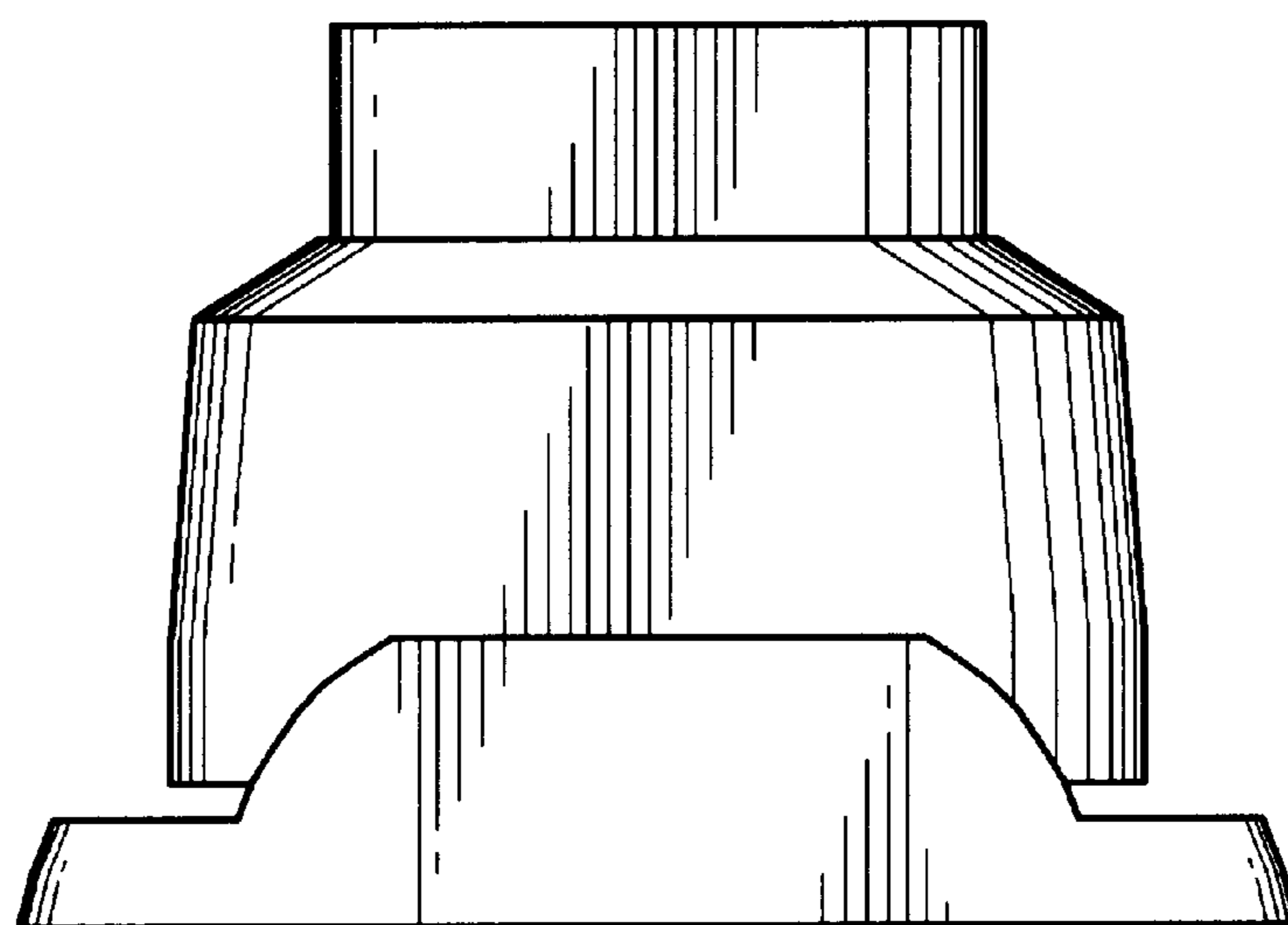


FIG. 5

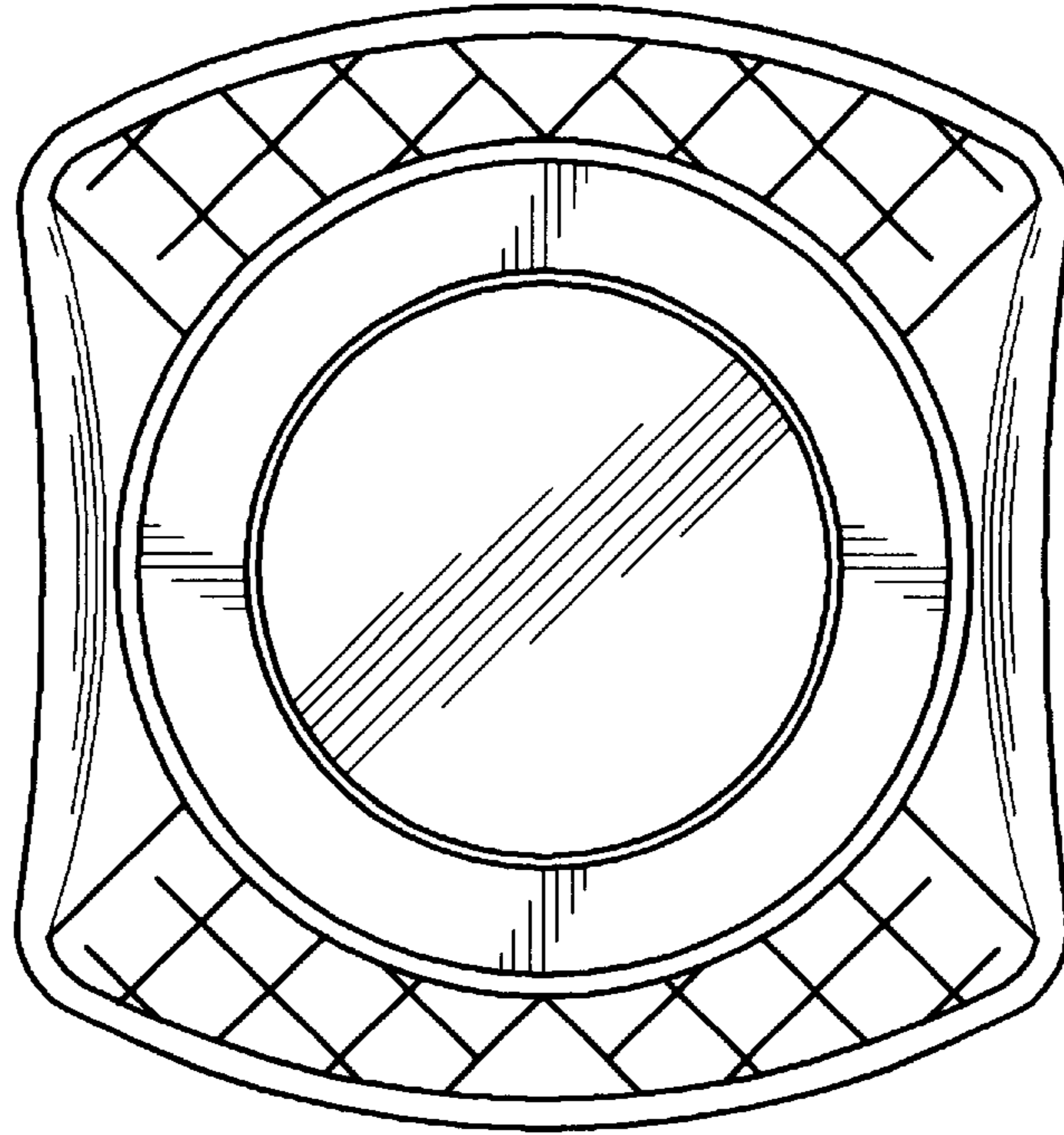


FIG. 6

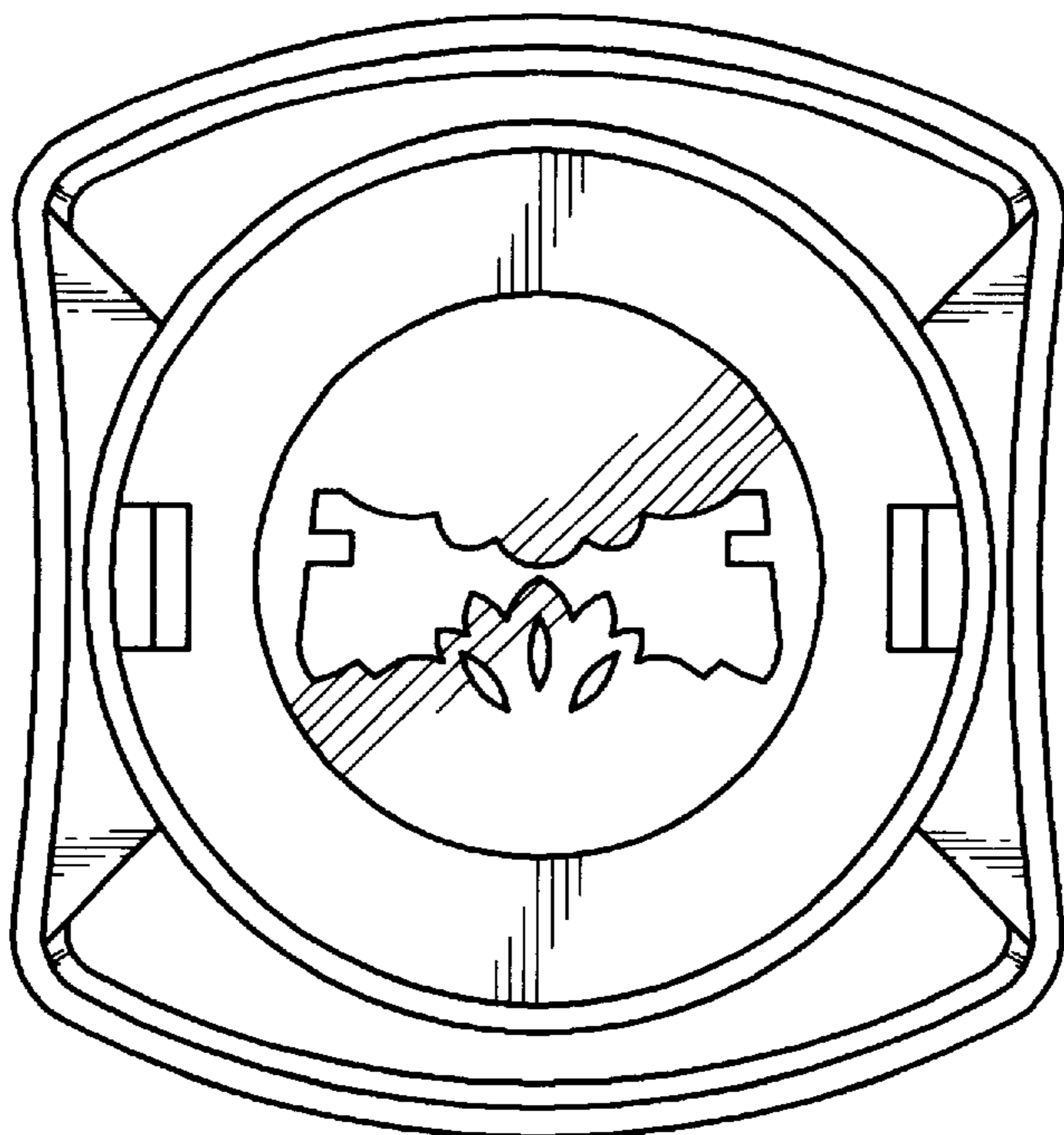


FIG. 7