



US00D511351S

(12) **United States Design Patent**
Yatabe

(10) **Patent No.:** **US D511,351 S**
(45) **Date of Patent:** **** Nov. 8, 2005**

- (54) **DIGITAL CAMERA**
- (75) **Inventor:** **Takashi Yatabe**, Higashimurayama (JP)
- (73) **Assignee:** **Casio Keisanki Kabushiki Kaisha**, Tokyo (JP)
- (**) **Term:** **14 Years**

- (21) **Appl. No.:** **29/210,255**
- (22) **Filed:** **Jul. 28, 2004**
- (51) **LOC (8) Cl.** **16-01**
- (52) **U.S. Cl.** **D16/202; D16/206**
- (58) **Field of Search** **D16/200-206, D16/208, 217, 218; 348/373-376; 358/906, 909.1; 396/176, 177, 535-541**

(56) **References Cited**

U.S. PATENT DOCUMENTS

D425,095 S	*	5/2000	Watarai et al.	D16/206
D444,163 S	*	6/2001	Yoshida	D16/202
D447,500 S	*	9/2001	Funato	D16/202
6,393,225 B1	*	5/2002	Yamada	396/535
6,510,286 B1	*	1/2003	Terada et al.	396/177
D481,052 S	*	10/2003	Ogura	D16/202
D493,809 S	*	8/2004	Ogura	D16/202
6,778,777 B1	*	8/2004	Fujii et al.	396/535

* cited by examiner

Primary Examiner—Adir Aronovich
(74) *Attorney, Agent, or Firm*—Frishauf, Holtz, Goodman & Chick, P.C.

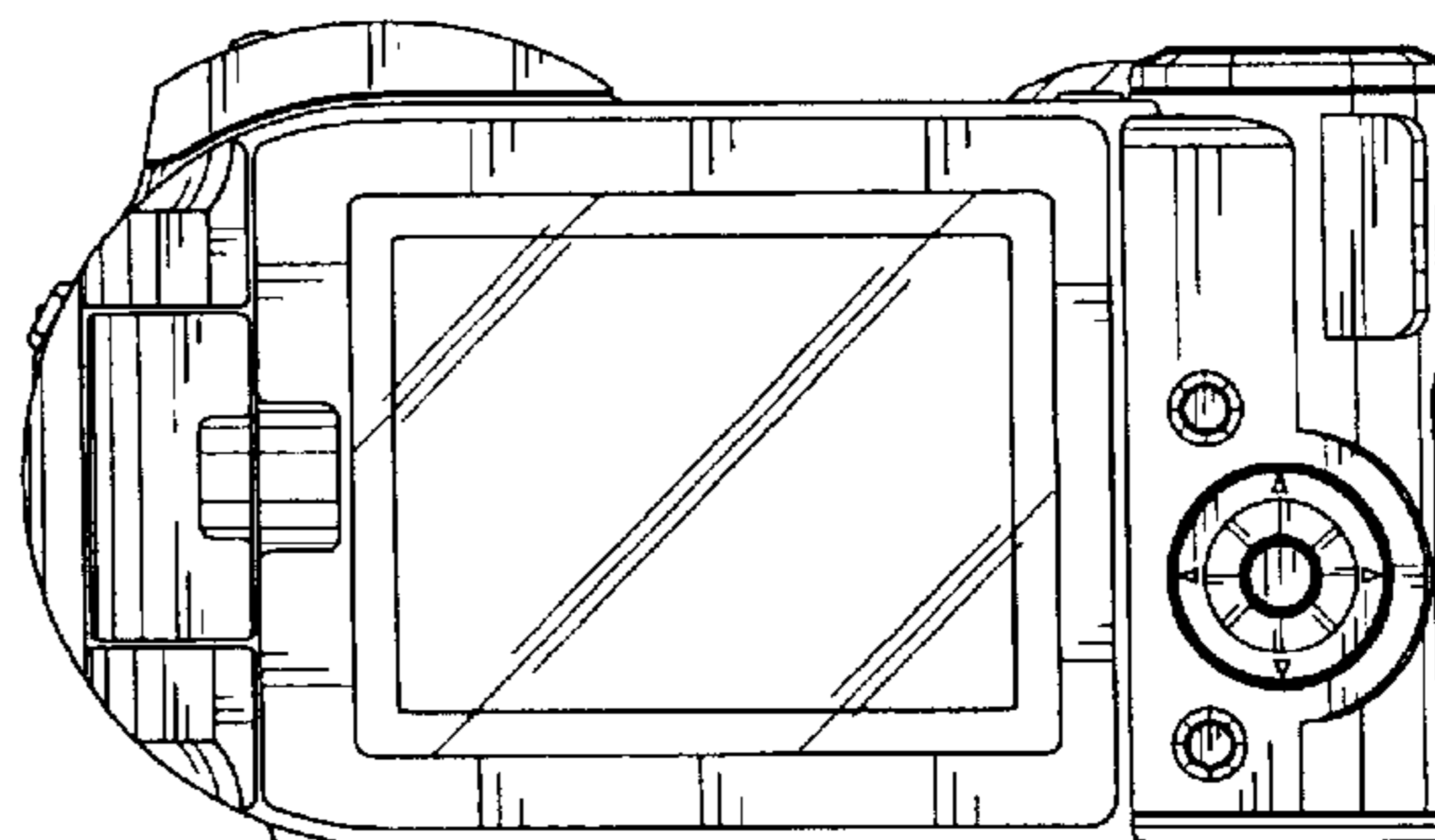
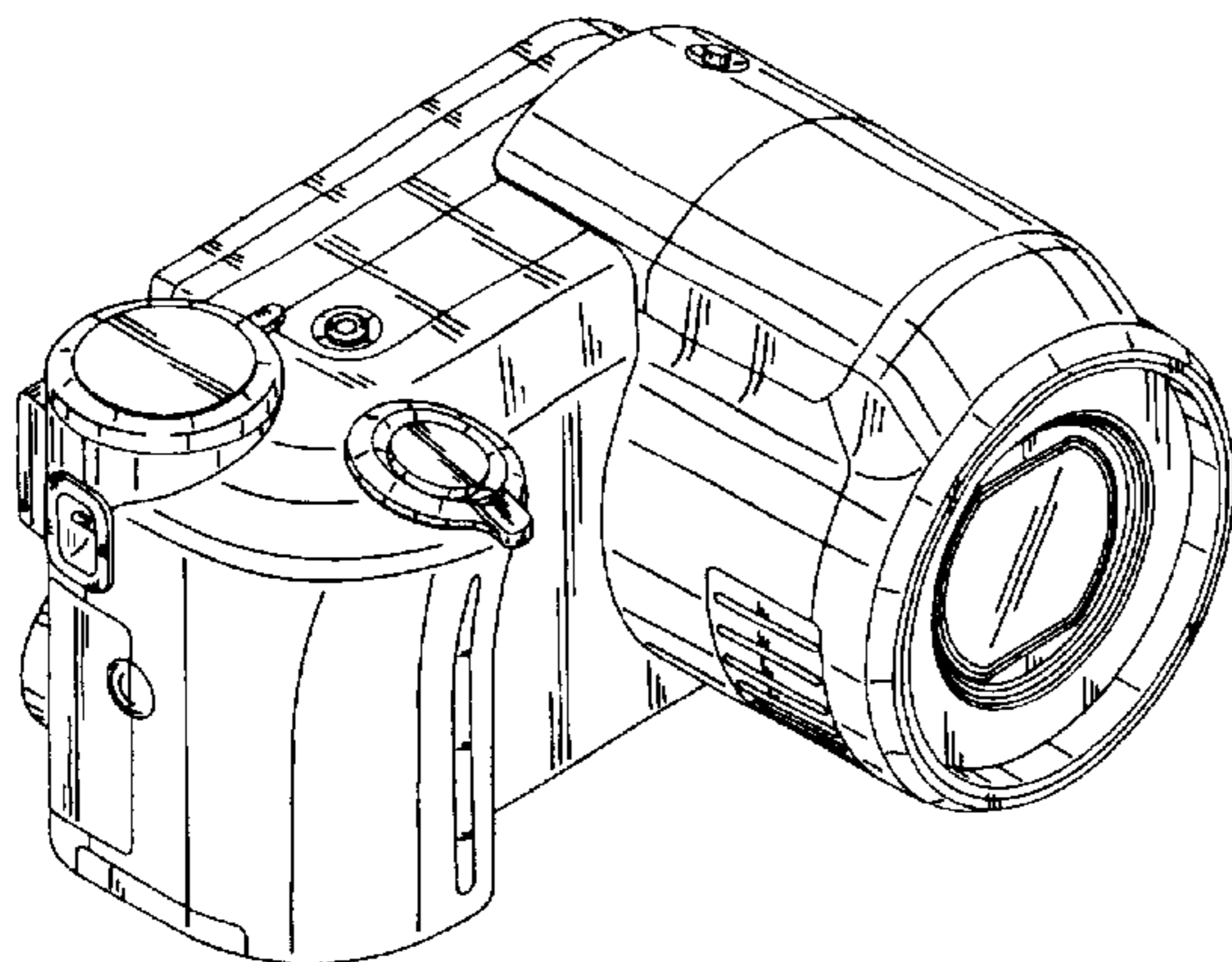
(57) **CLAIM**

The ornamental design for a digital camera, as shown and described.

DESCRIPTION

FIG. 1 is a reduced scale front, left side, top perspective view of a digital camera showing my new design;
 FIG. 2 is a front elevational view thereof;
 FIG. 3 is a rear elevational view thereof;
 FIG. 4 is a left side view thereof;
 FIG. 5 is a right side view thereof;
 FIG. 6 is a top plan view thereof;
 FIG. 7 is a bottom plan view thereof;
 FIG. 8 is a rear elevational view thereof showing the state in which a display portion is extended and rotated;
 FIG. 9 is a rear elevational view thereof showing the state in which a display is closed and facing to the inside of the camera;
 FIG. 10 is a front elevational view thereof with an electronic flash portion opened; and,
 FIG. 11 is a right side view thereof with the electronic flash portion opened.

1 Claim, 6 Drawing Sheets



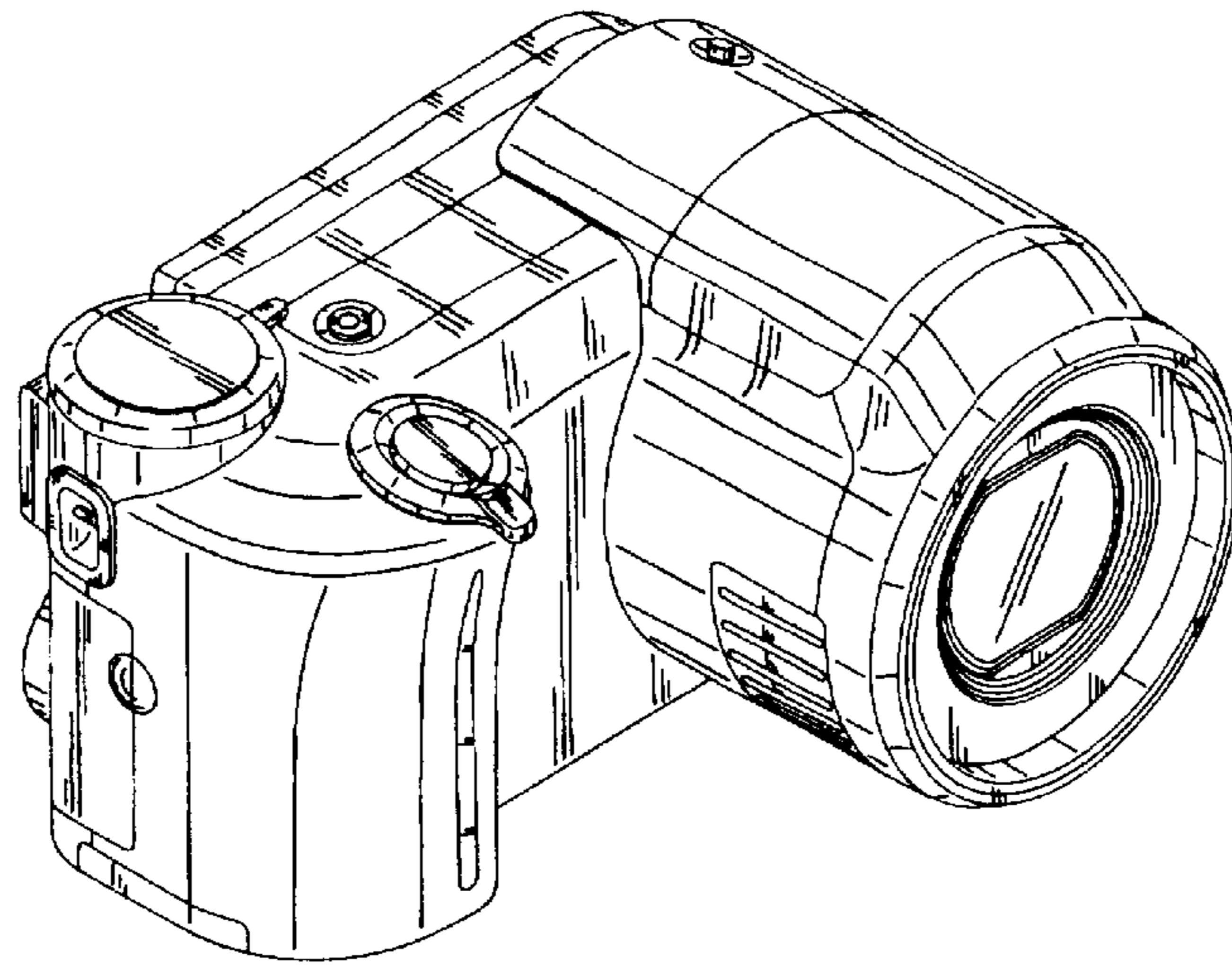


FIG. 1

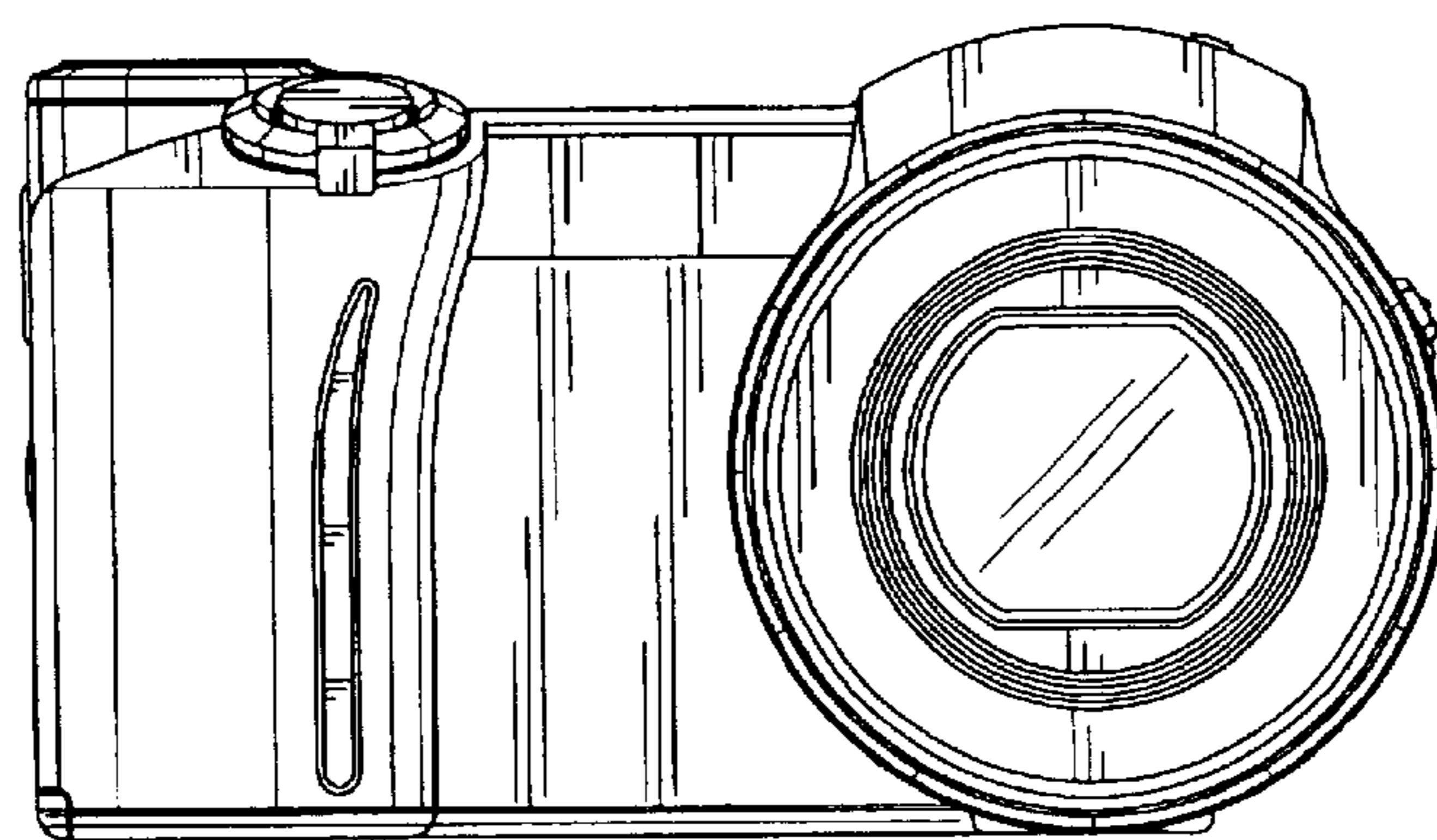


FIG. 2

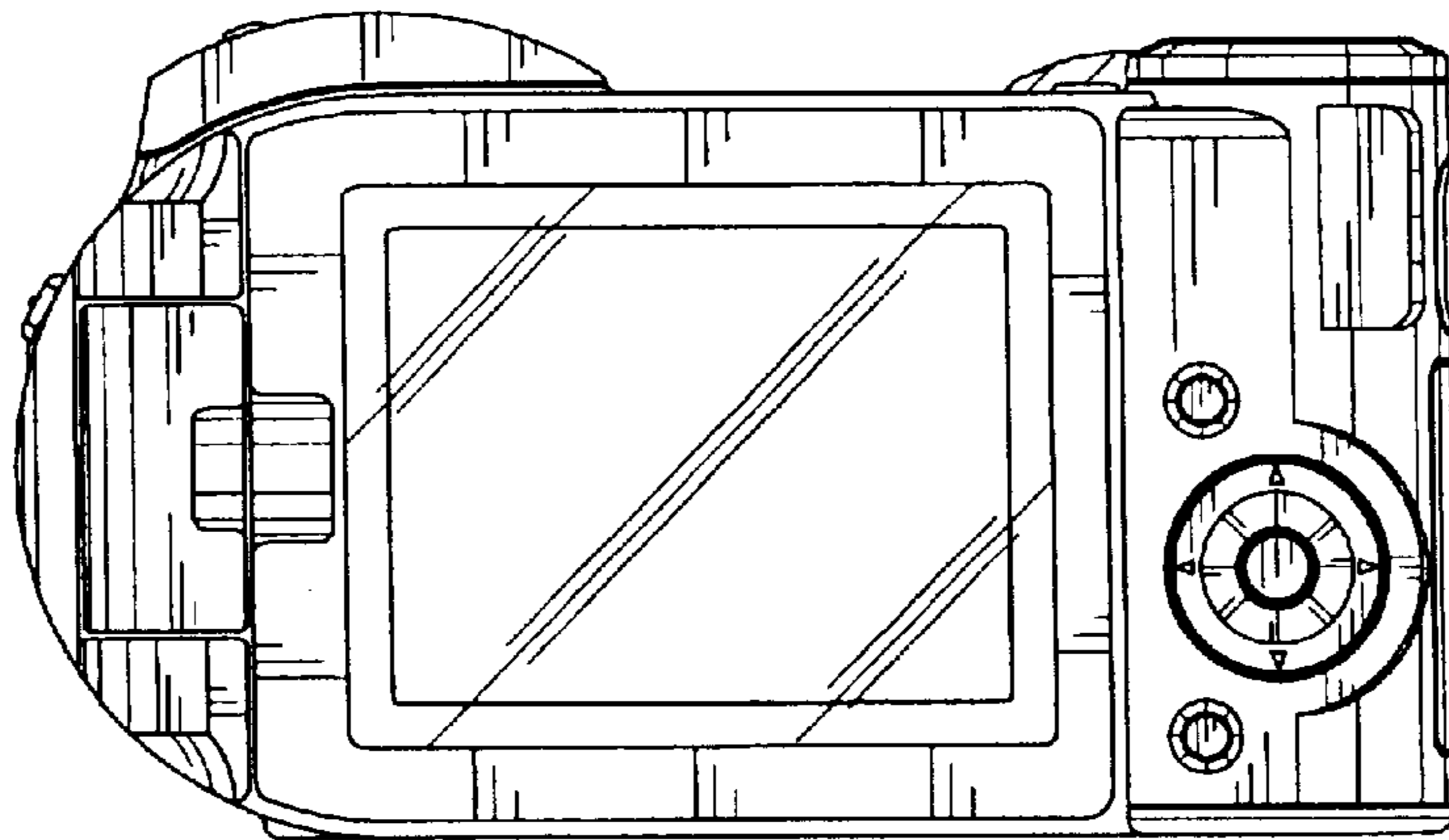


FIG. 3

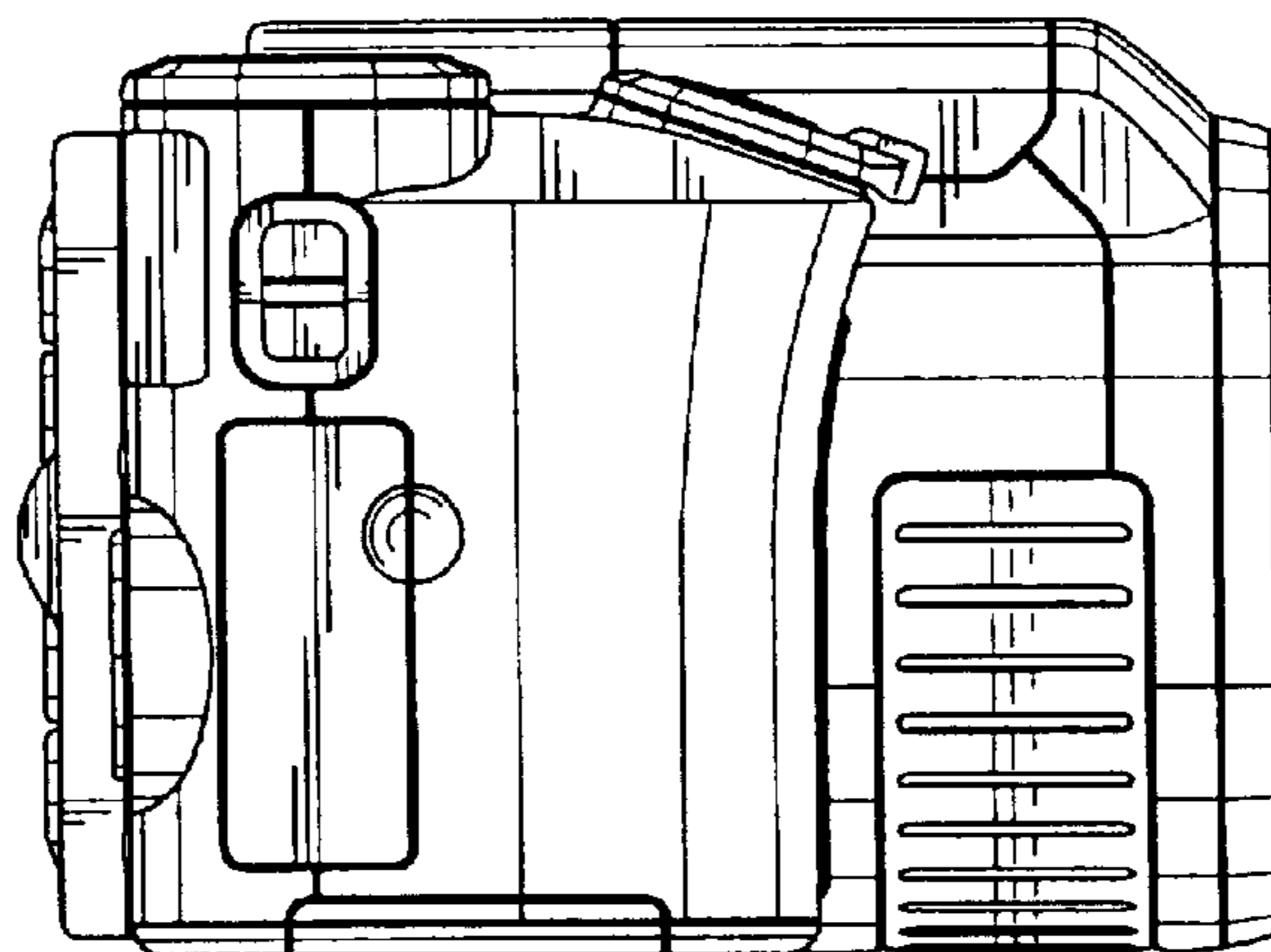


FIG. 4

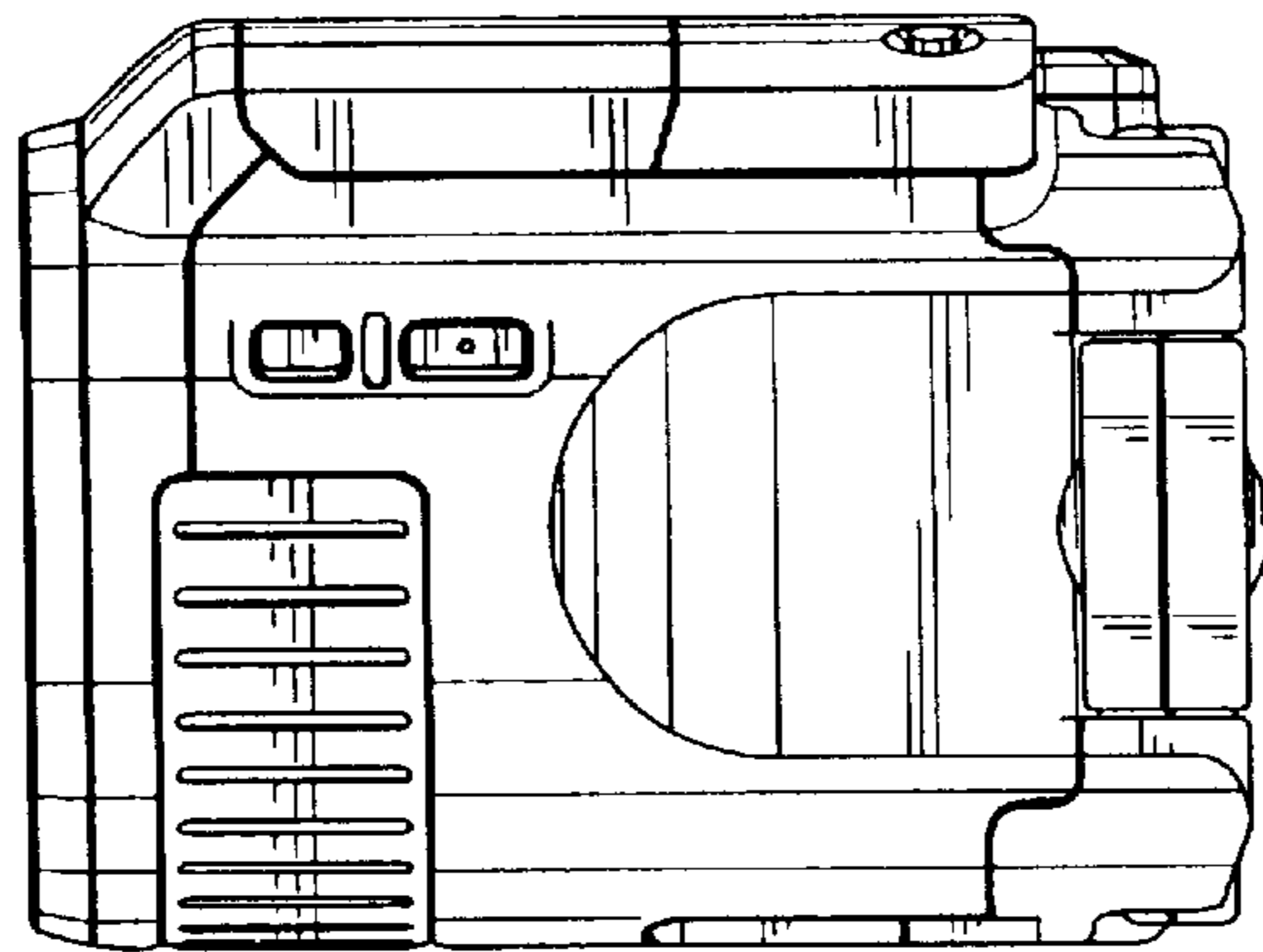


FIG. 5

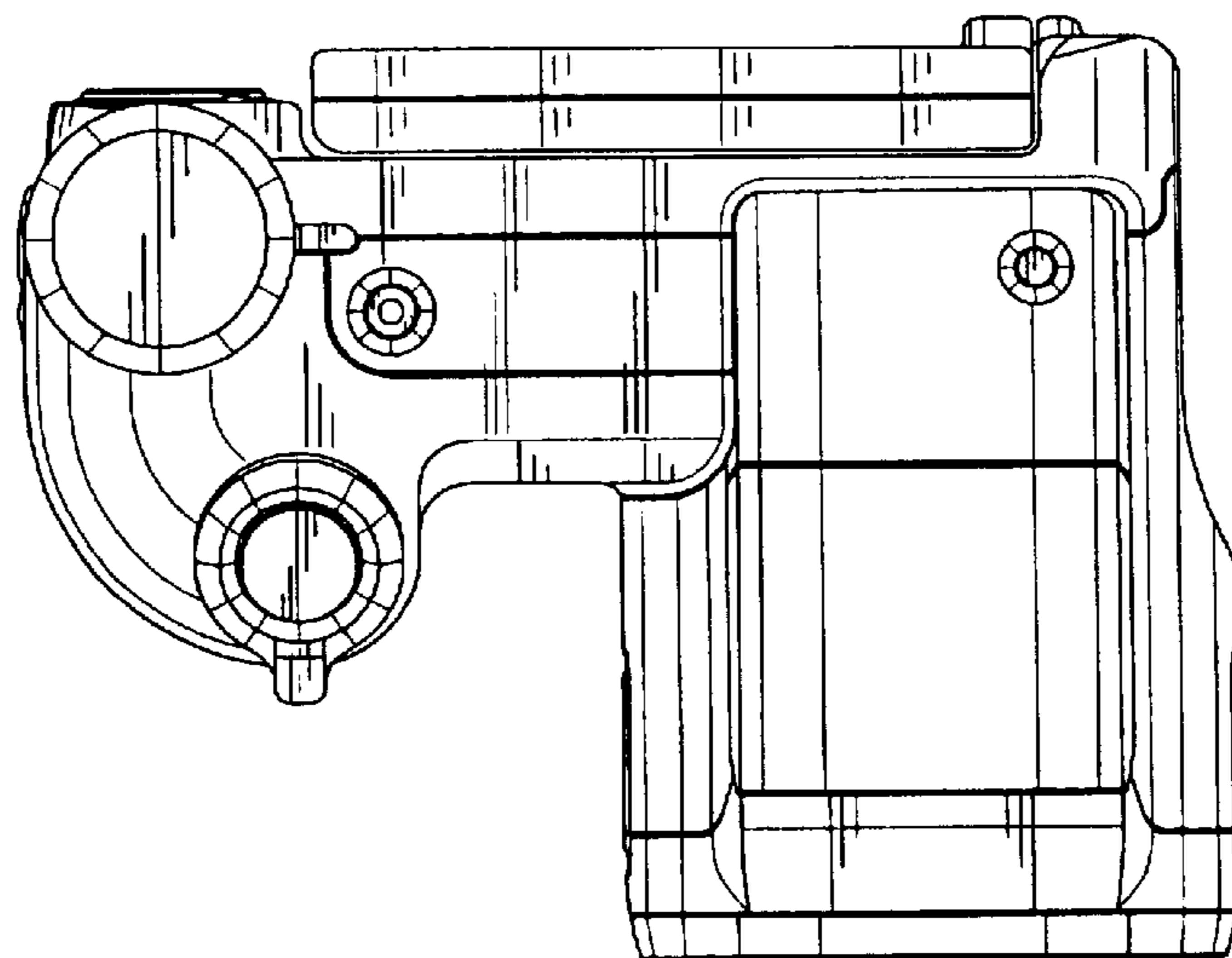


FIG. 6

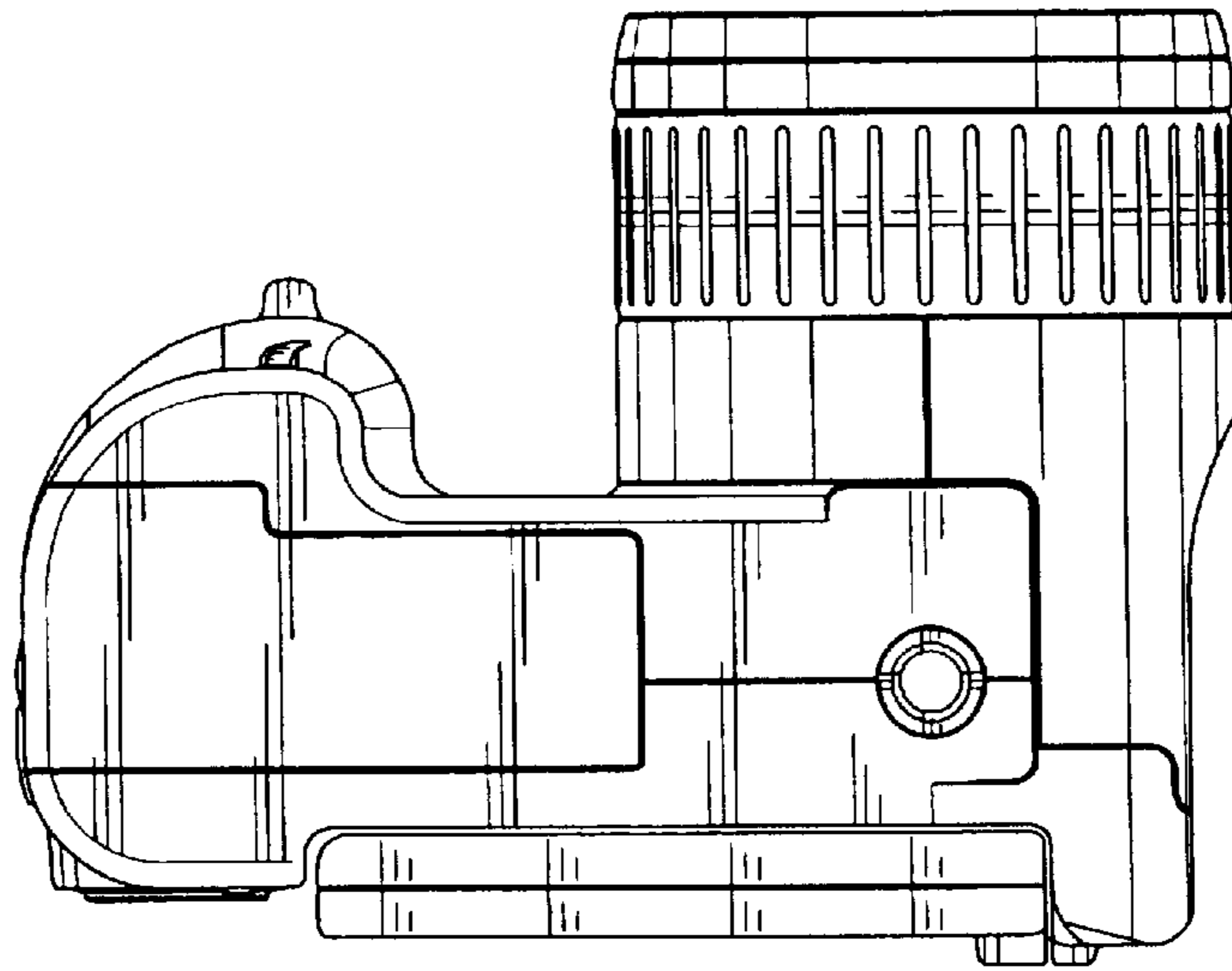


FIG. 7

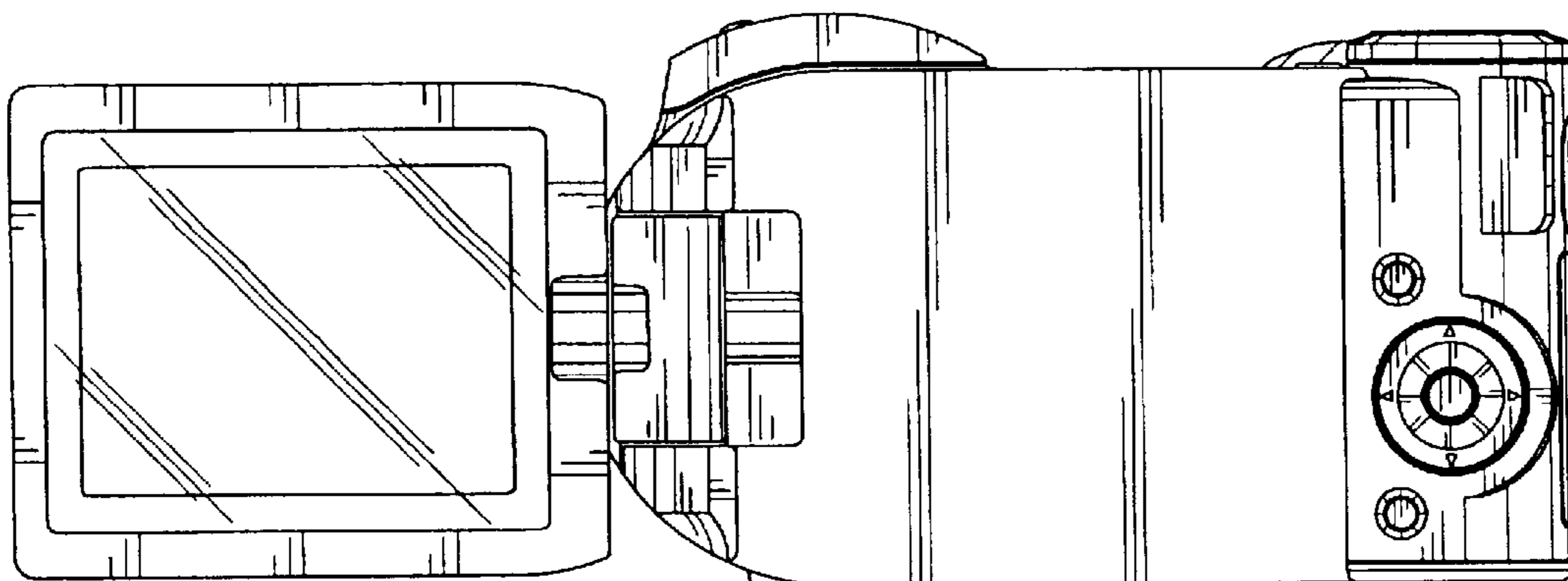


FIG. 8

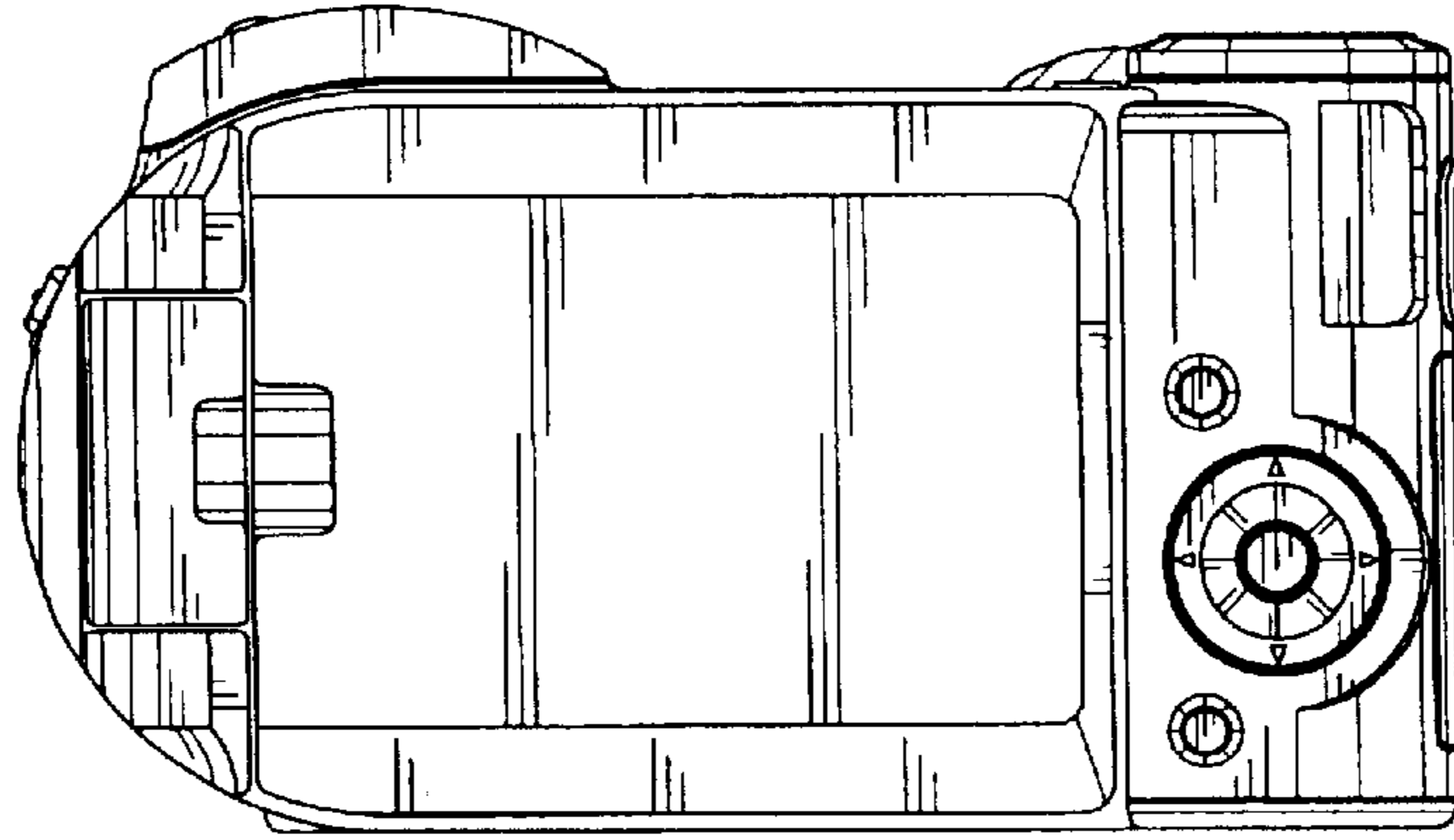


FIG. 9

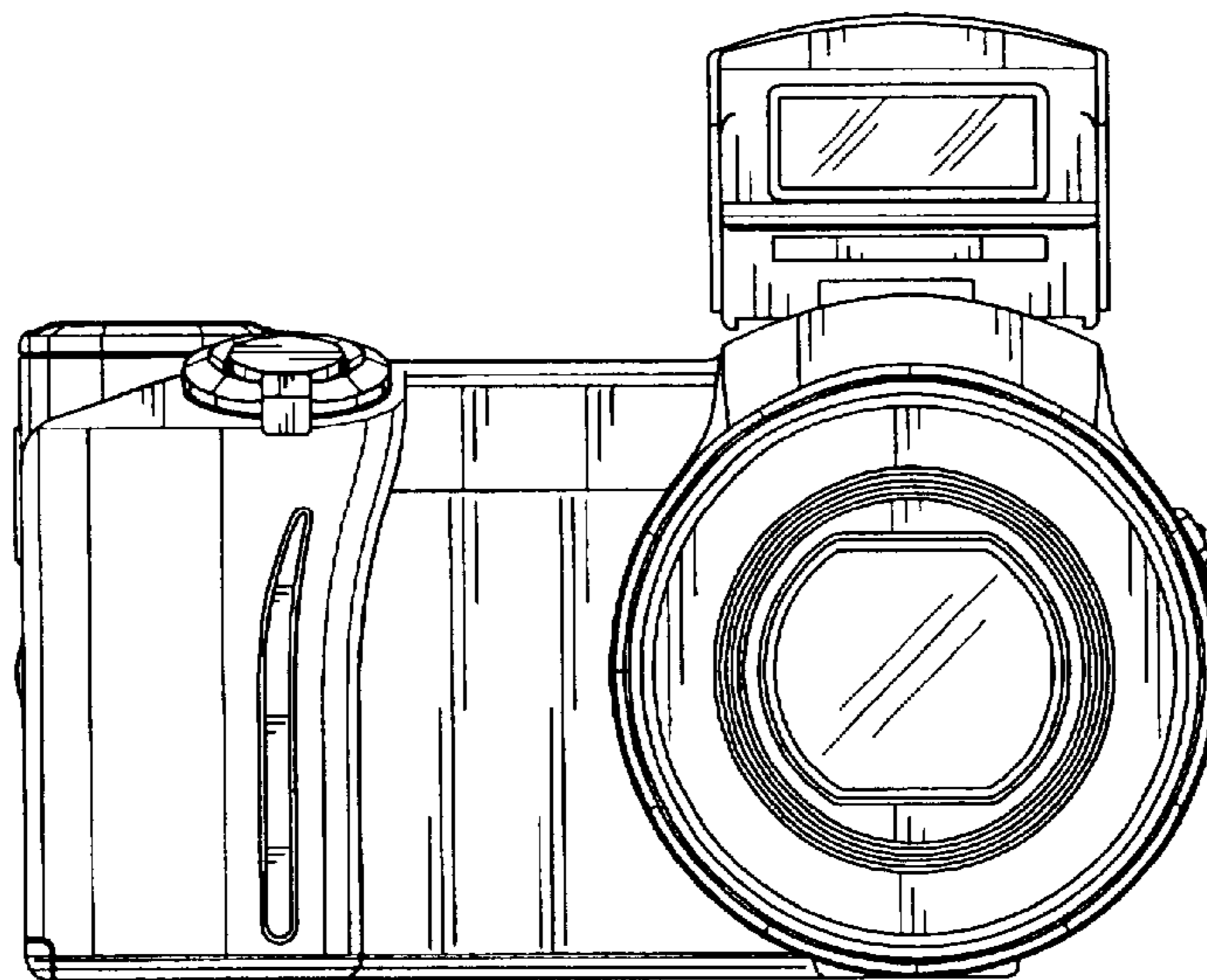


FIG. 10

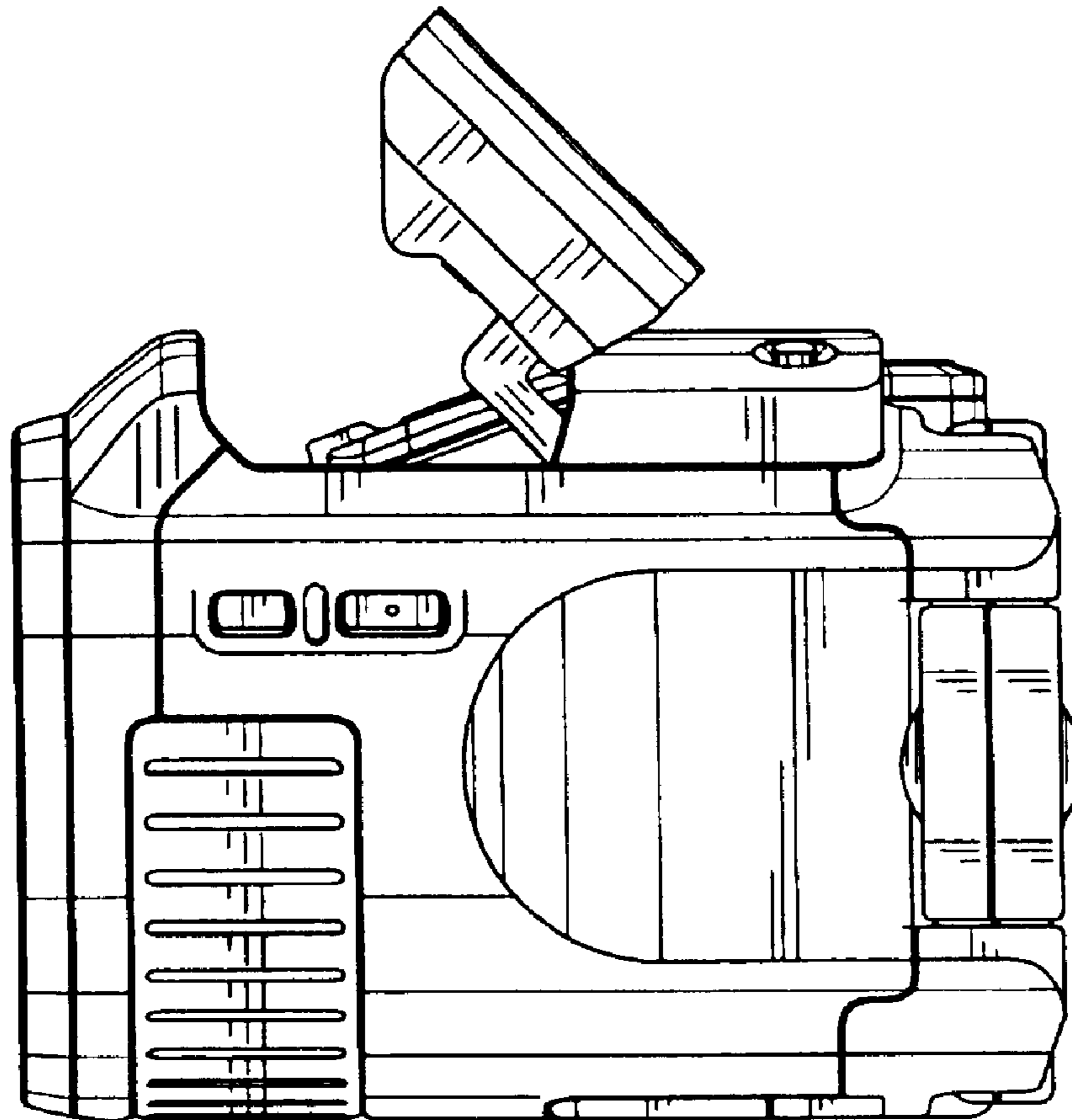


FIG. 11