



US00D511350S

(12) **United States Design Patent**
Sumita

(10) **Patent No.:** **US D511,350 S**
(45) **Date of Patent:** **** Nov. 8, 2005**

(54) **VIDEO CAMERA**

(75) Inventor: **Kaoru Sumita**, Tokyo (JP)
(73) Assignee: **Sony Corporation**, Tokyo (JP)
(**) Term: **14 Years**

(21) Appl. No.: **29/209,803**
(22) Filed: **Jul. 22, 2004**

(51) **LOC (8) Cl.** **16-01**
(52) **U.S. Cl.** **D16/202**
(58) **Field of Search** **D16/200-205,**
D16/208; 348/373-376; 358/906; 396/535-541

(56) **References Cited**

U.S. PATENT DOCUMENTS

D355,664 S	*	2/1995	Kataoka	D16/202
5,499,052 A	*	3/1996	Nakanishi et al.	348/373
D429,742 S	*	8/2000	Fukushima	D16/202
D445,816 S	*	7/2001	Tanaka	D16/203
D463,467 S		9/2002	Sumita	D16/202
D467,601 S	*	12/2002	Kojima et al.	D16/202
D476,022 S		6/2003	Sumita	D16/202
D477,343 S		7/2003	Miyashita	D16/202
D487,763 S	*	3/2004	Miyashita	D16/202

OTHER PUBLICATIONS

Web page "DCR-TRV70K" <http://www.sony.jp/products/Consumer/handycam/PRODUCTS/DCR-TRV70K/parts.html>, 1 sheet, Sony (May 2004).
Web page "DCR-IP45E(JE)" www.yodobashi.com, 1 sheet, Yodobashi Camera (May 2004).
Web page "NV-GS100K-K" www.yodobashi.com, 1 sheet, Yodobashi Camera (May 2004).

* cited by examiner

Primary Examiner—Adir Aronovich

(74) *Attorney, Agent, or Firm*—Rader, Fishman & Grauer PLLC

(57) **CLAIM**

The ornamental design for a video camera, as shown.

DESCRIPTION

FIG. 1 is a perspective view of a video camera showing my new design;
FIG. 2 is a front elevational view thereof;
FIG. 3 is a rear elevational view thereof;
FIG. 4 is a left side elevational view thereof;
FIG. 5 is a right side elevational view thereof;
FIG. 6 is a top plan view thereof; and,
FIG. 7 is a bottom plan view thereof.

1 Claim, 5 Drawing Sheets

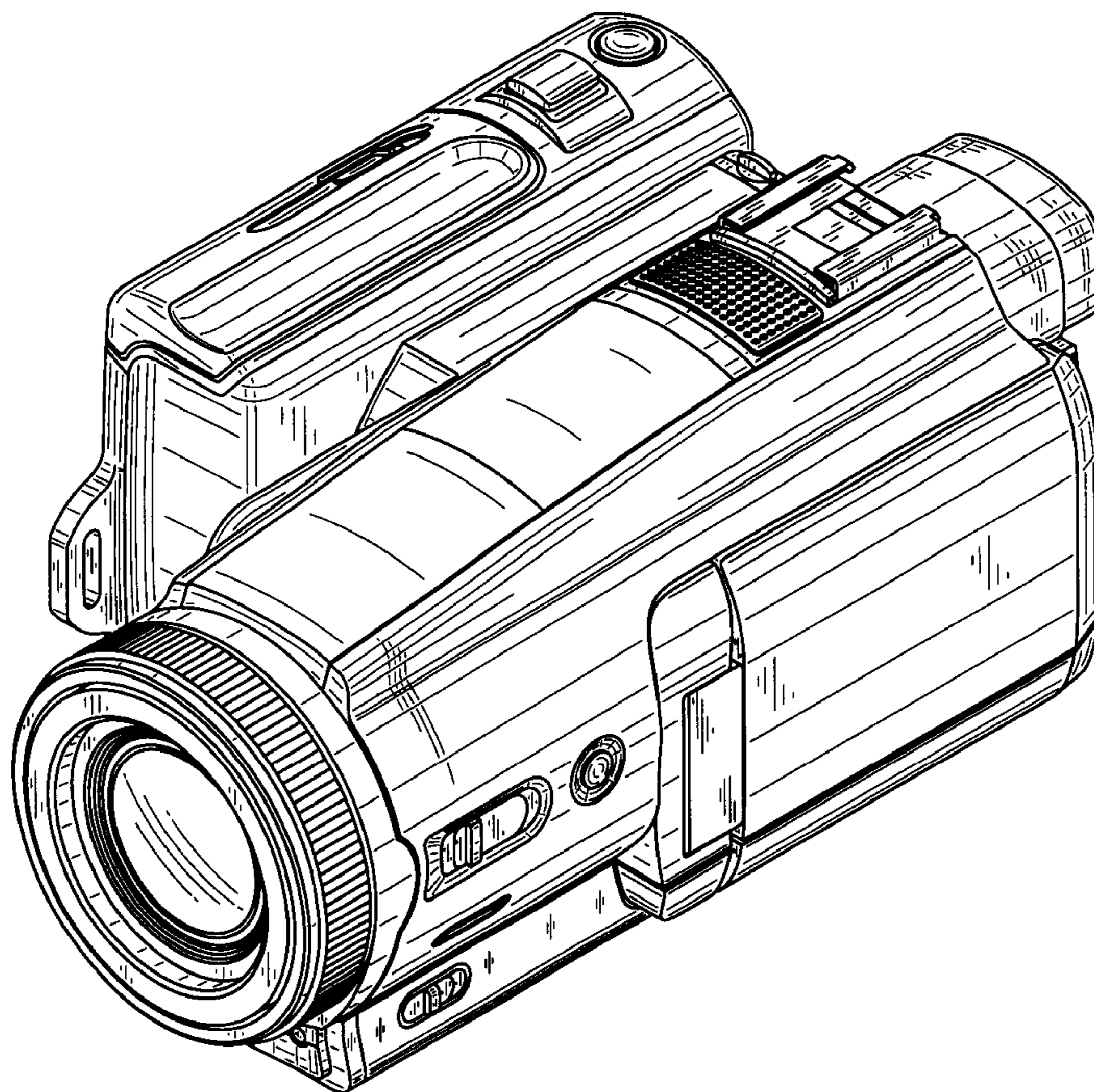


Fig.1

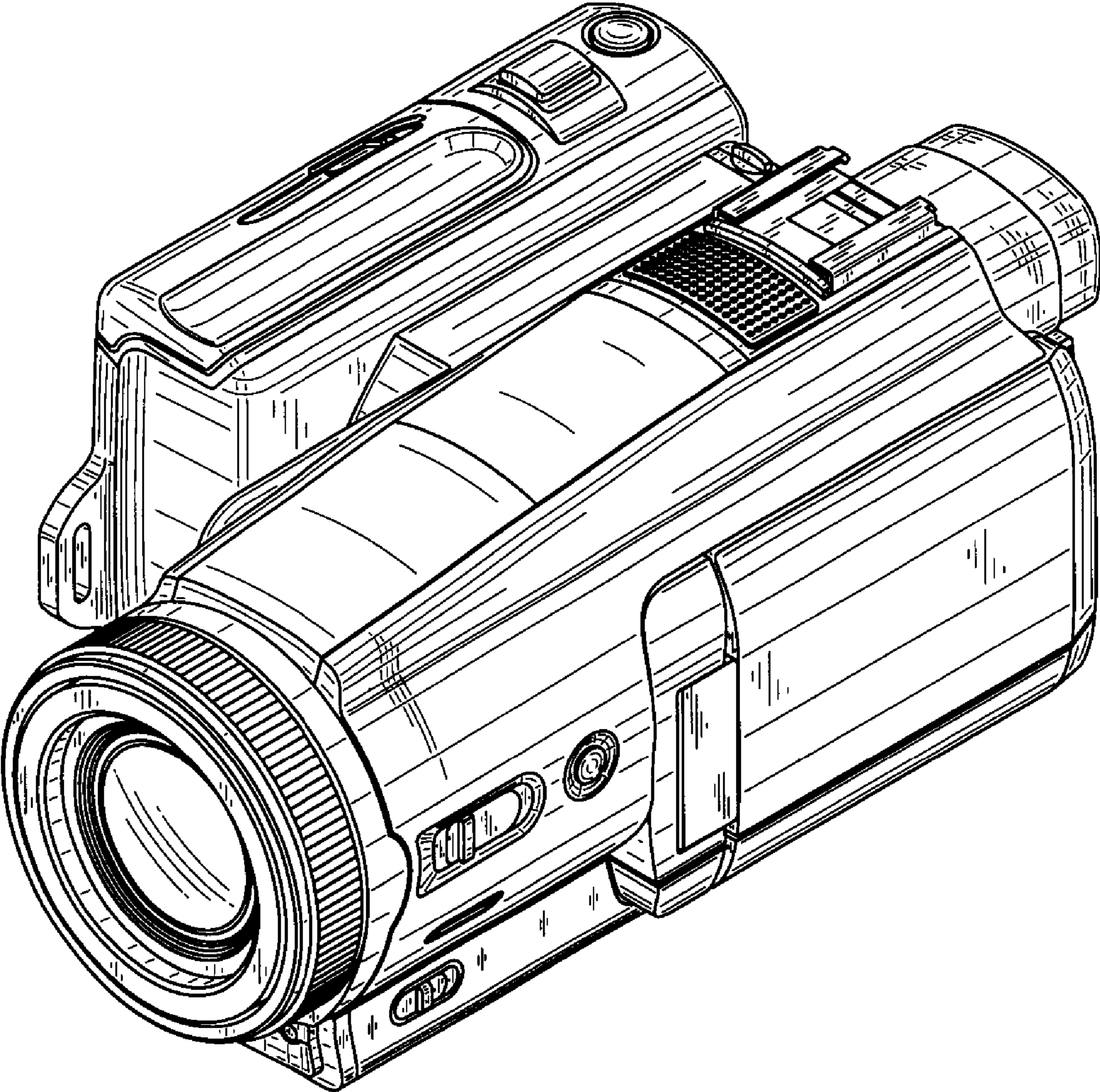


Fig.2

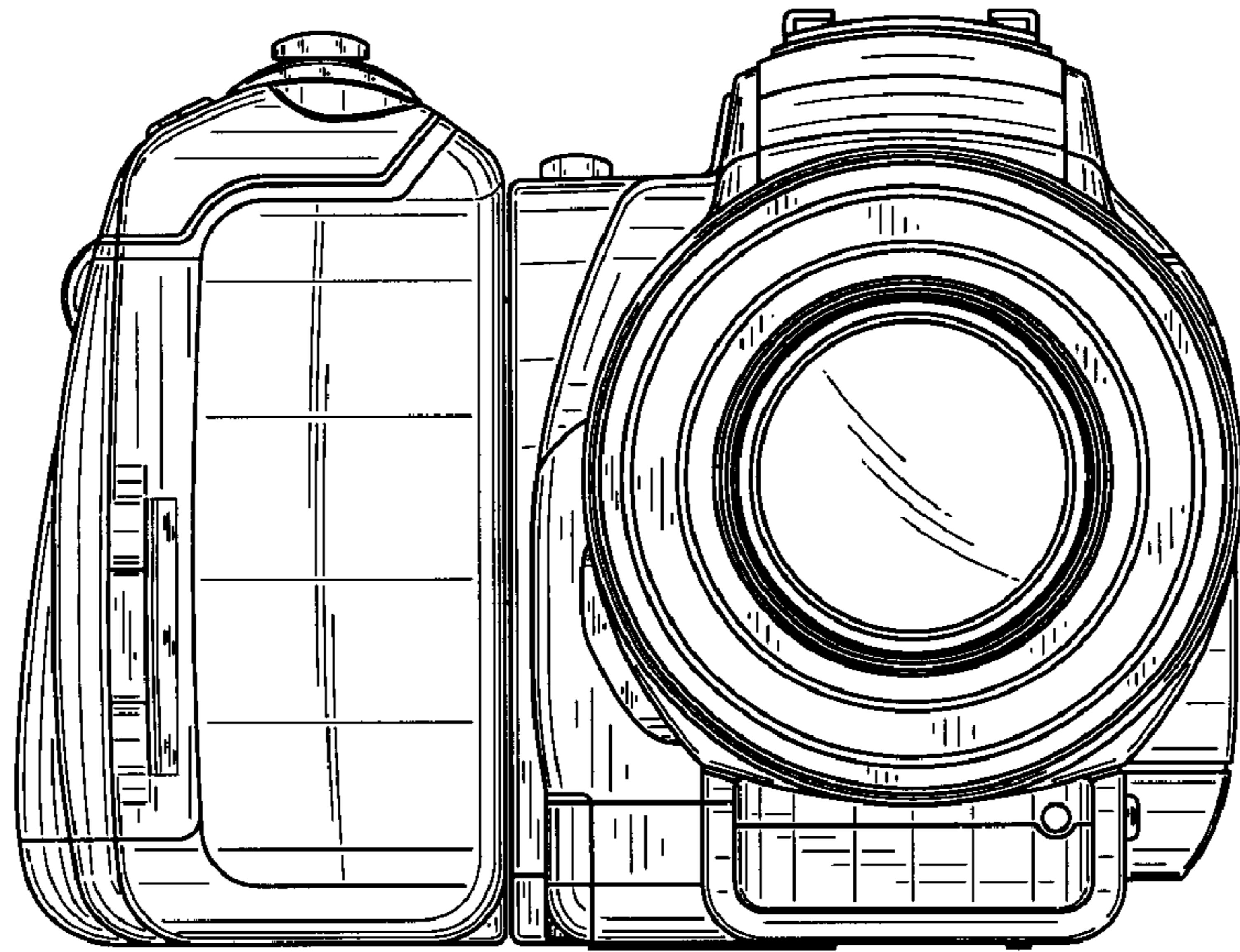


Fig.3

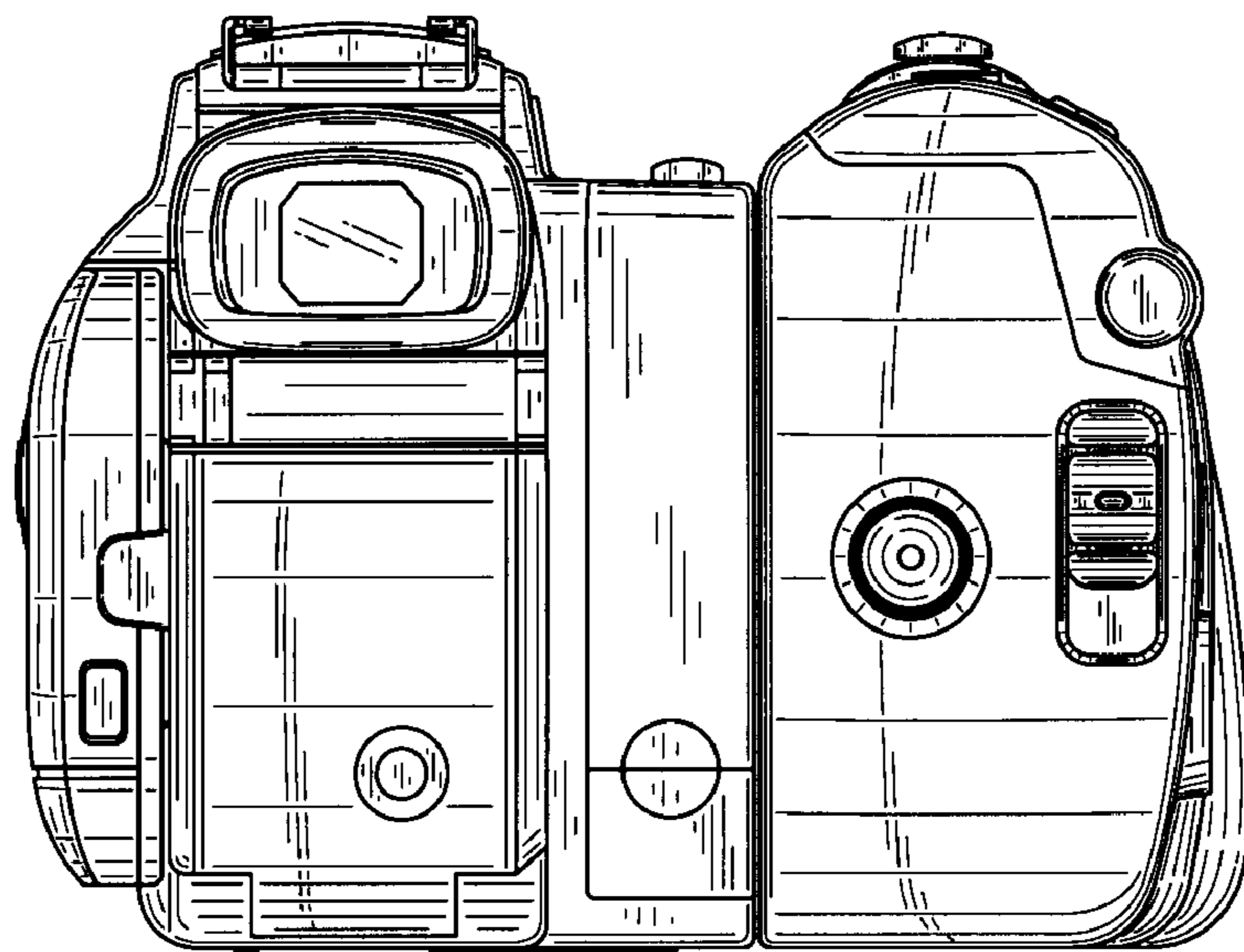


Fig.4

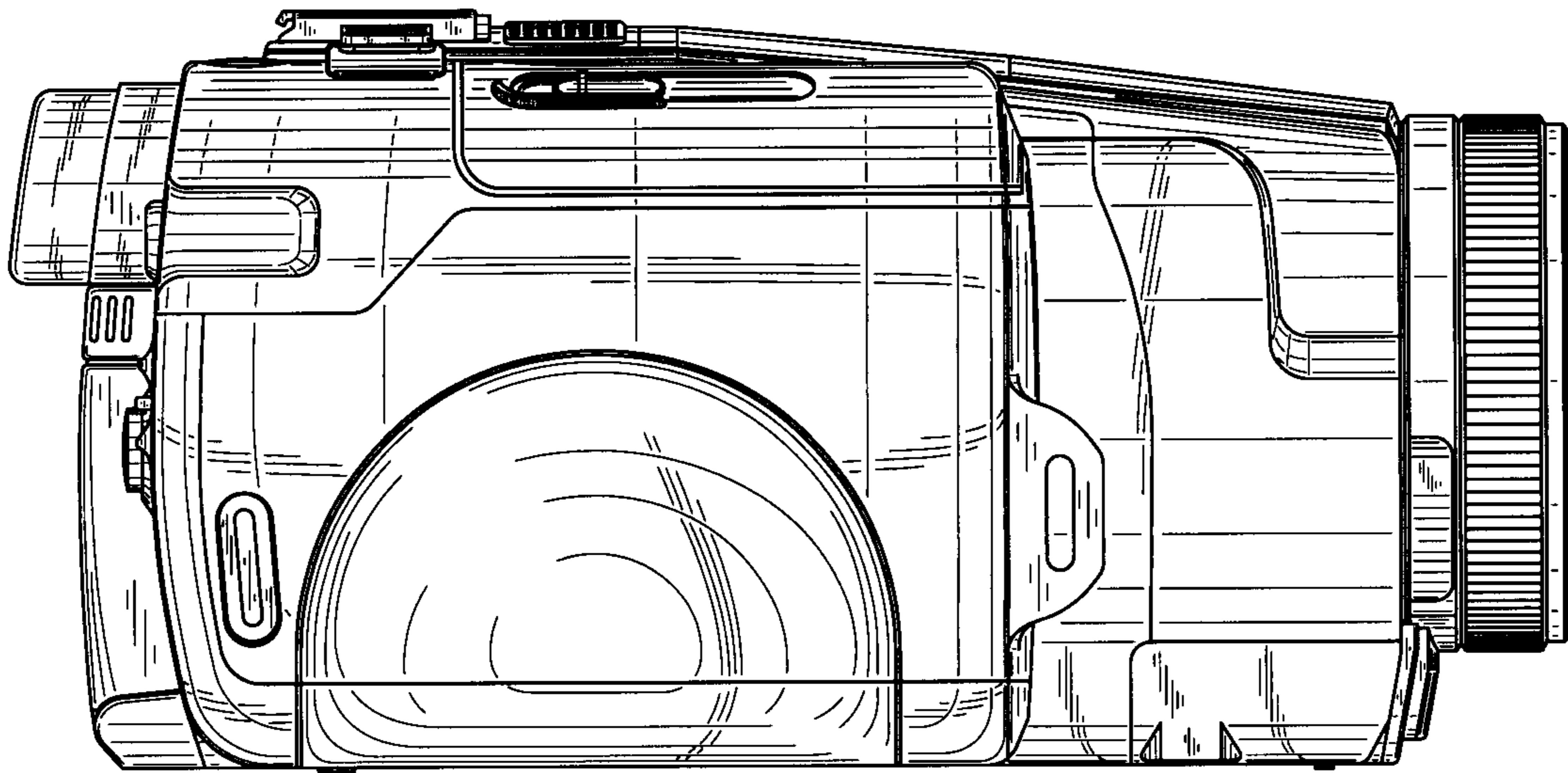


Fig.5

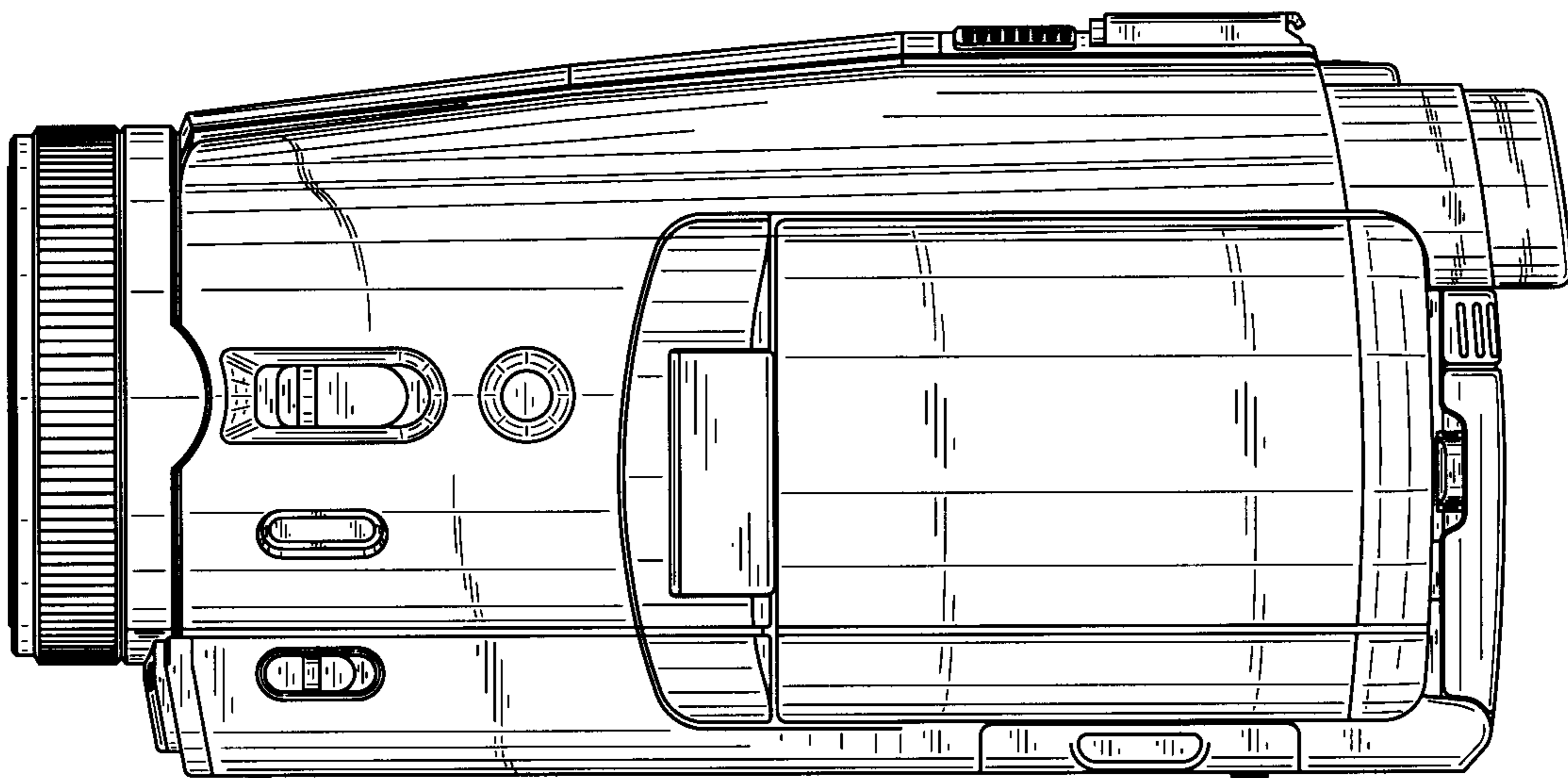


Fig.6

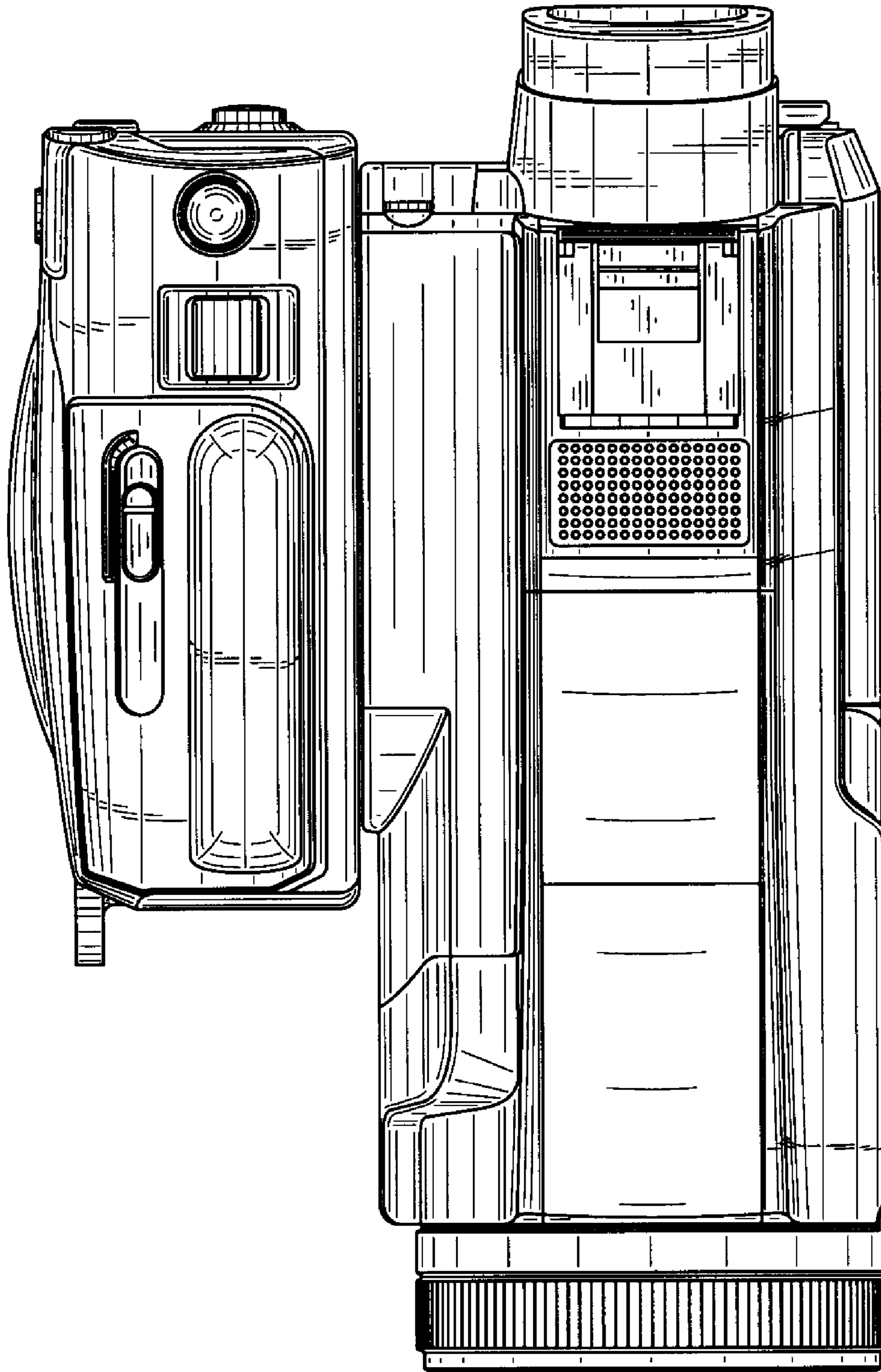


Fig.7

