



US00D511348S

(12) **United States Design Patent**
Elsworthy

(10) **Patent No.: US D511,348 S**

(45) **Date of Patent: ** Nov. 8, 2005**

(54) **CORDLESS CYLINDER MOWER**
(75) **Inventor: Christopher Thomas Elsworthy, 7**
Magnolia Court, Fiddlers Green,
Cheltenham, Gloucestershire (GB),
GL51 0XB

(73) **Assignee: Christopher Thomas Elsworthy,**
Worcester (GB)

(**) **Term: 14 Years**

(21) **Appl. No.: 29/210,210**

(22) **Filed: Jul. 29, 2004**

(30) **Foreign Application Priority Data**

Feb. 5, 2004 (GB) 3016071

(51) **LOC (8) Cl. 15-03**

(52) **U.S. Cl. D15/14**

(58) **Field of Search** D15/10, 14-18;
56/12.8, 12.7, 13.4, 16.7, 17.5, 202, 254,
255, 294, 11.4, 320.1, 320.2, 249, 252;
280/43.17

(56) **References Cited**

U.S. PATENT DOCUMENTS

D144,953 S * 6/1946 Wells D15/16
D161,690 S * 1/1951 Heineke D15/16
D178,596 S * 8/1956 Cole et al. D15/16

2,886,934 A * 5/1959 Ivar 56/11.4
2,983,093 A * 5/1961 Heth 56/16.7
D219,394 S * 12/1970 Graham et al. D15/16
3,594,016 A * 7/1971 Wells et al. 280/43.17
D284,766 S * 7/1986 Chai D15/16
D309,310 S * 7/1990 Fushiya et al. D15/14

* cited by examiner

Primary Examiner—Stella Reid

Assistant Examiner—Mark A. Goodwin

(74) *Attorney, Agent, or Firm*—Shook, Hardy & Bacon

(57) **CLAIM**

The ornamental design for a cordless cylinder mower, as shown.

DESCRIPTION

FIG. 1 is a view from one side of a cordless cylinder mower showing my new design;

FIG. 2 is a view from an opposite side thereof;

FIG. 3 is a front view thereof;

FIG. 4 is a rear view;

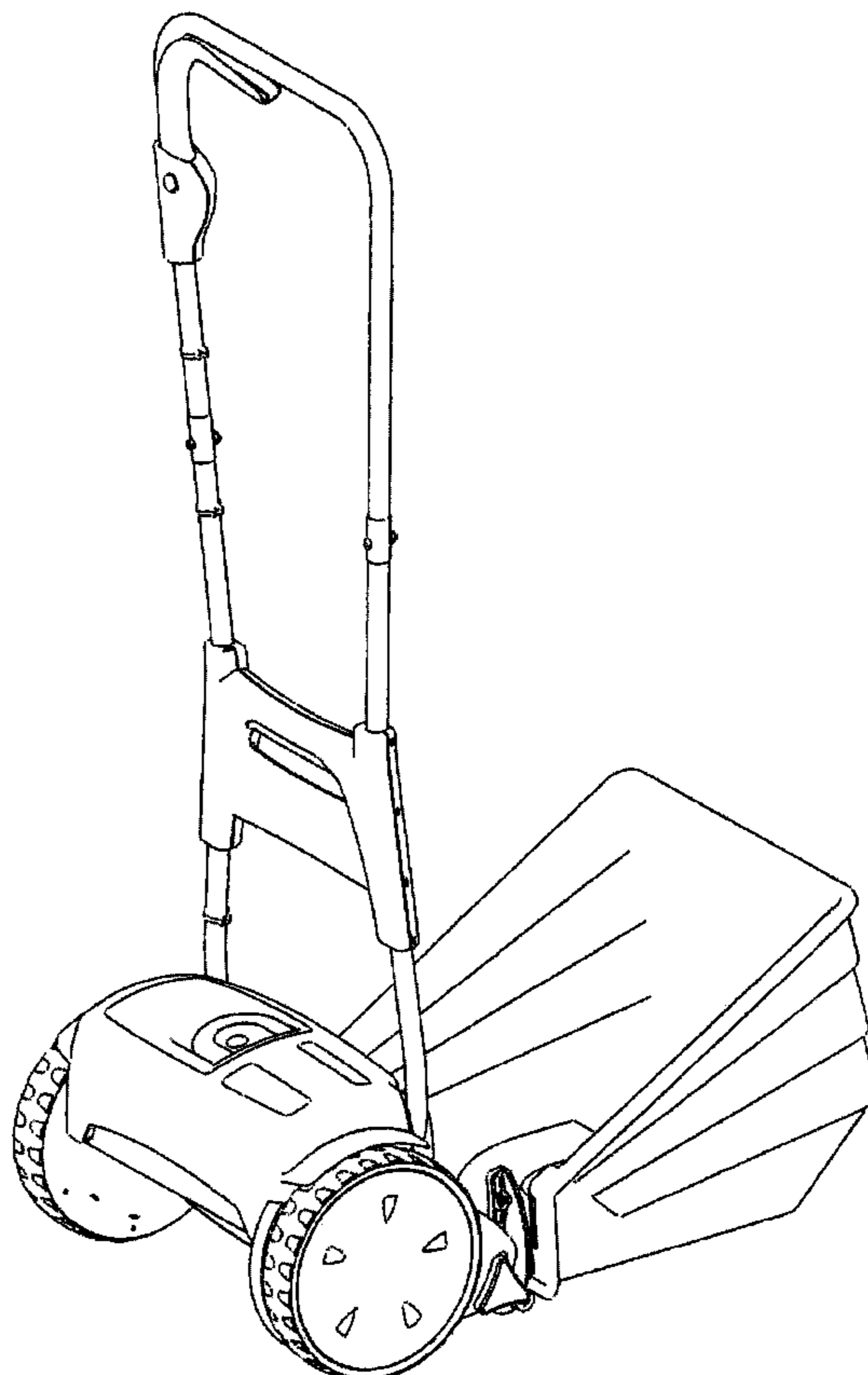
FIG. 5 is a bottom view thereof;

FIG. 6 is top plan view thereof;

FIG. 7 is a perspective view from the rear and one side thereof; and,

FIG. 8 is a perspective view from the front and an opposite side thereof.

1 Claim, 8 Drawing Sheets



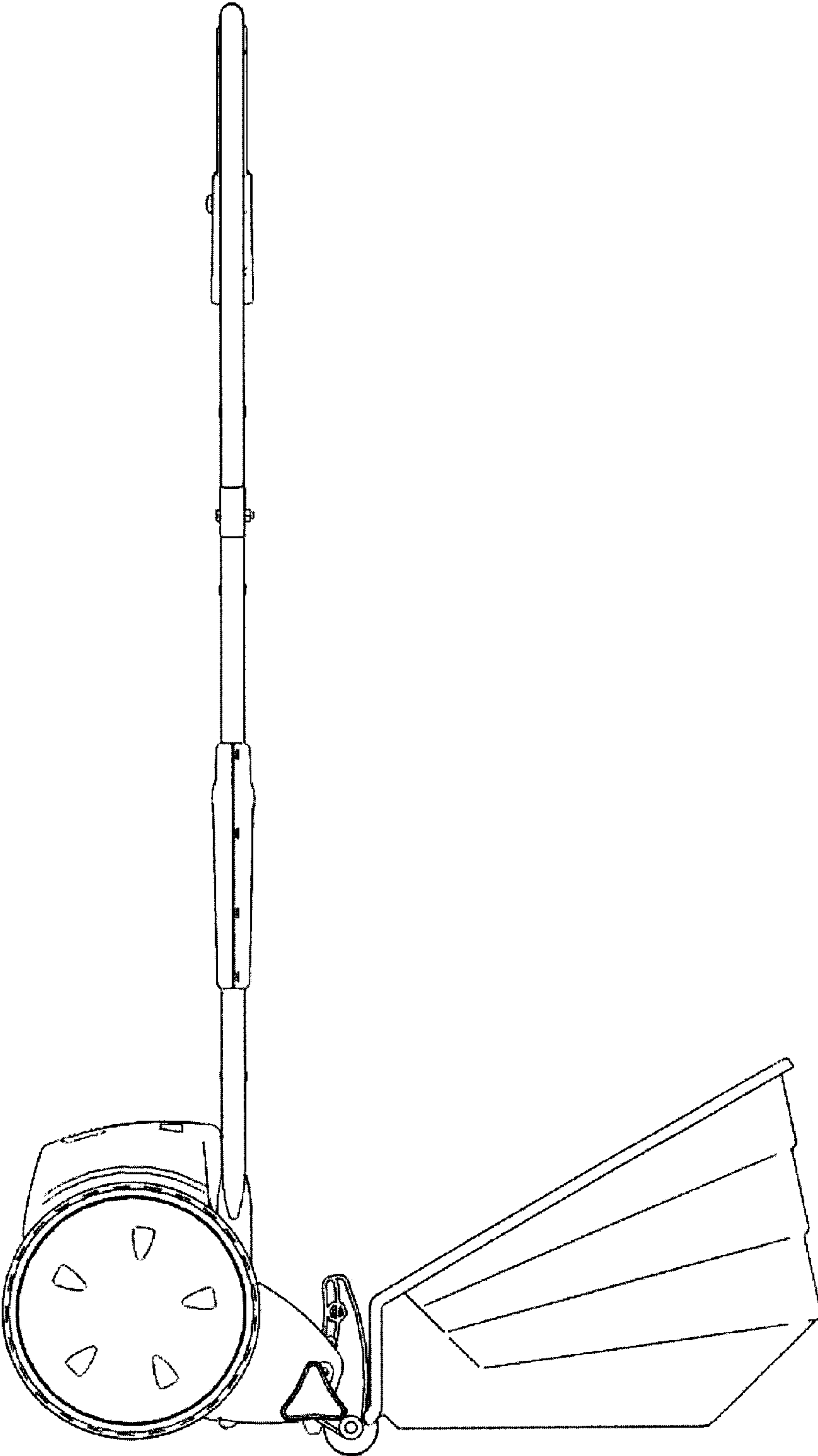


Fig. 1

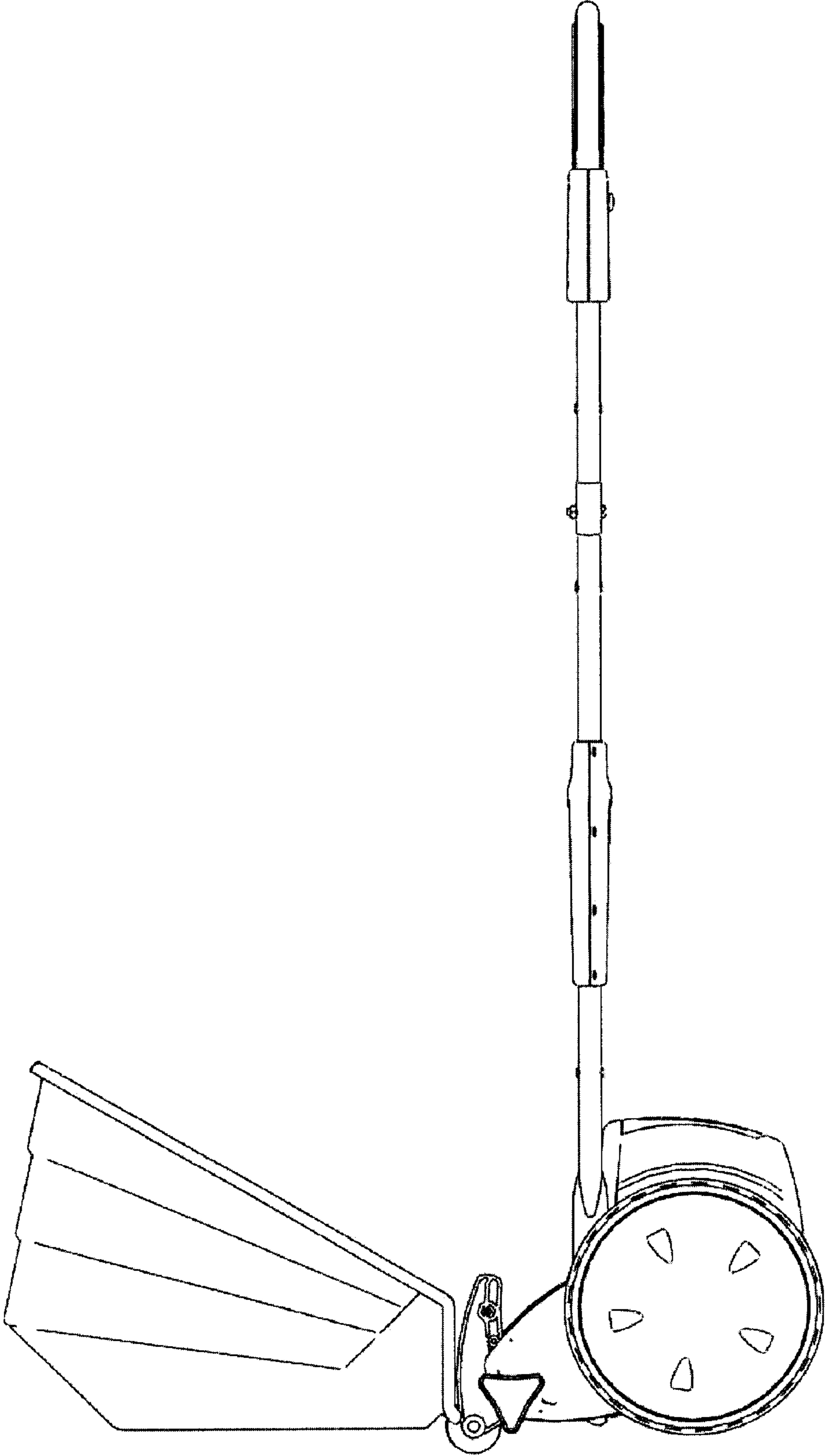


Fig. 2

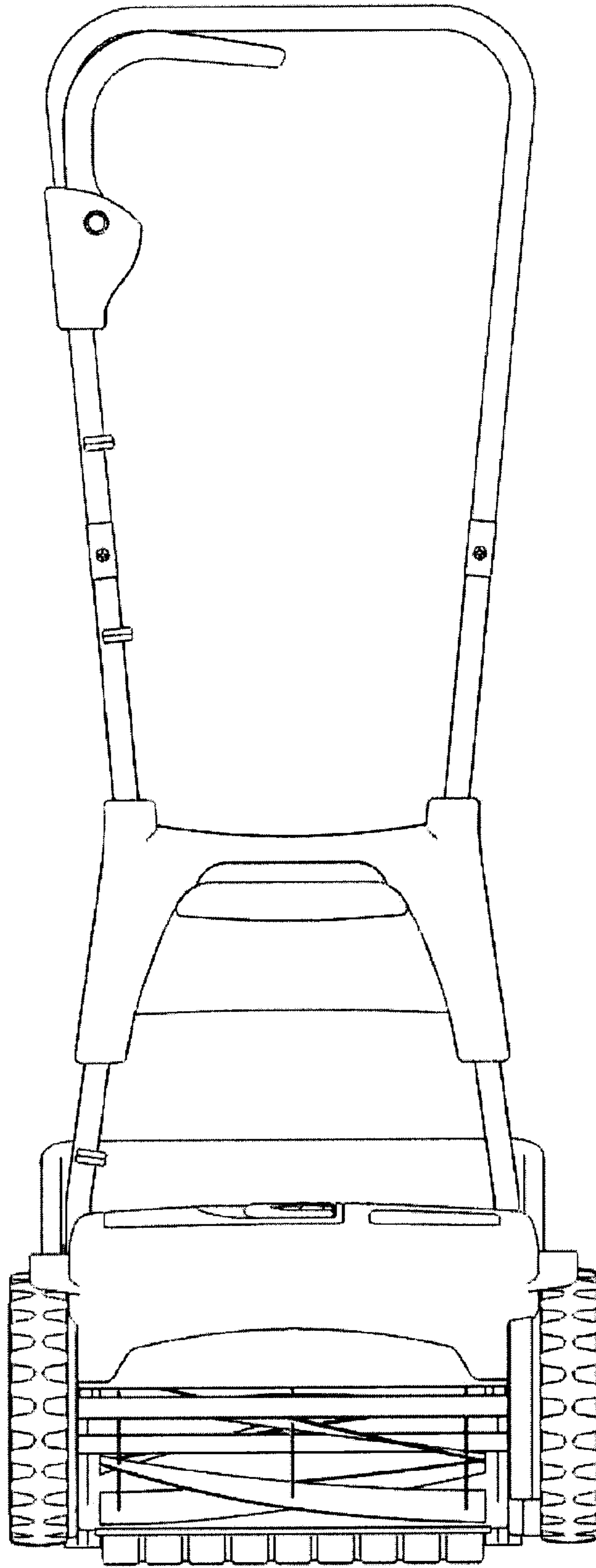


Fig. 3

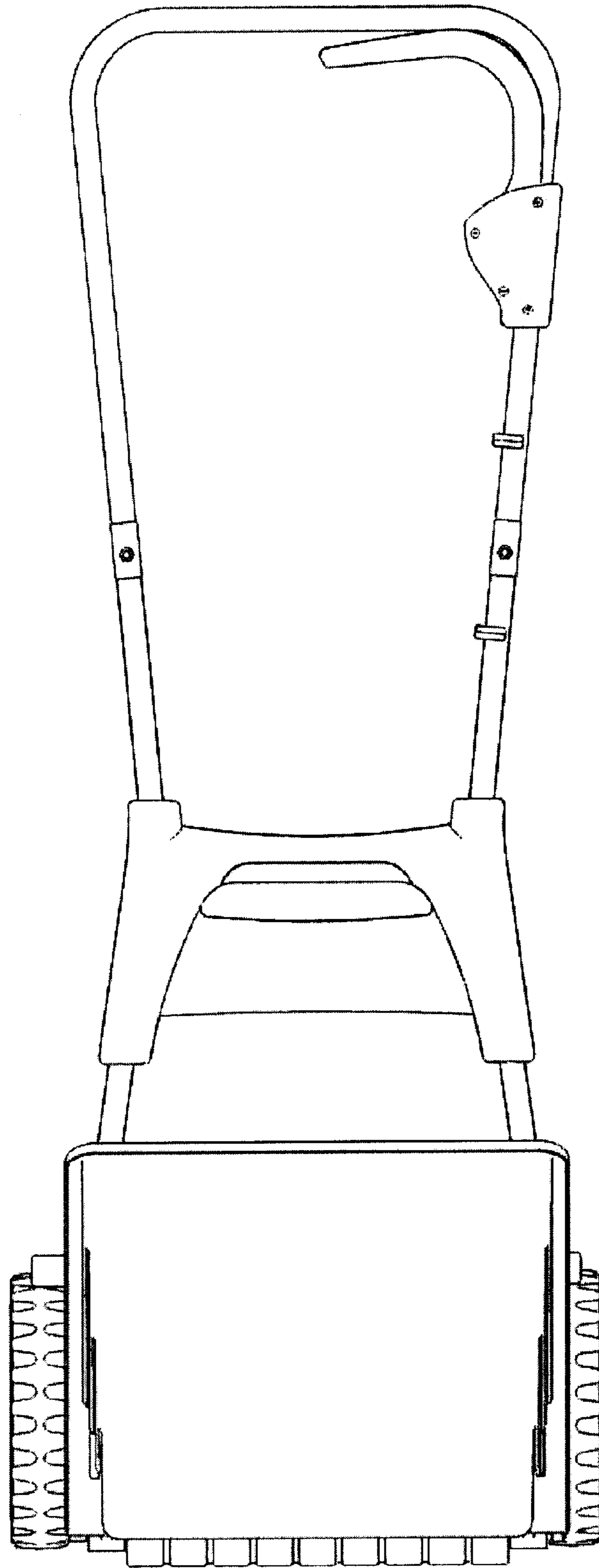


Fig. 4

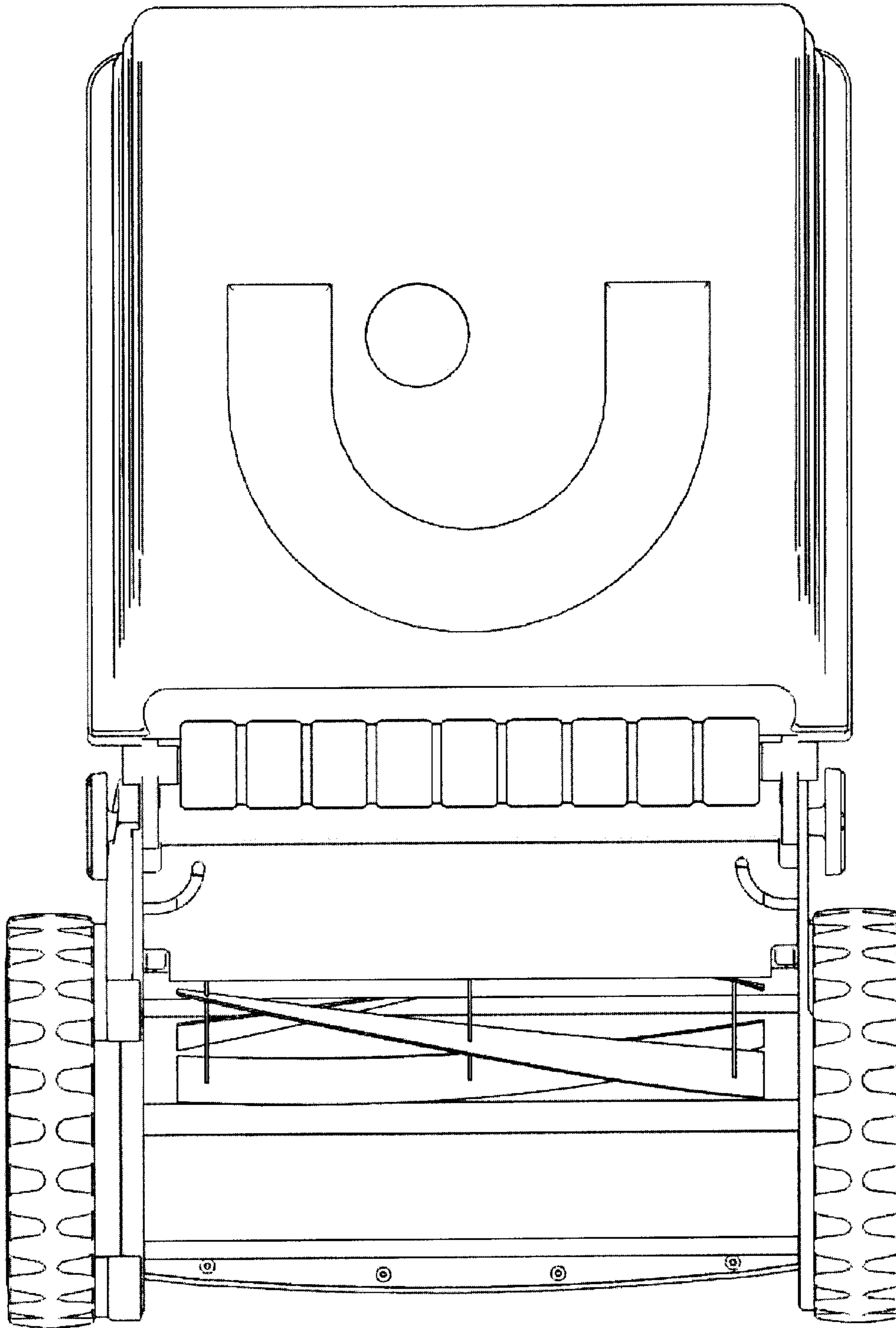


Fig. 5

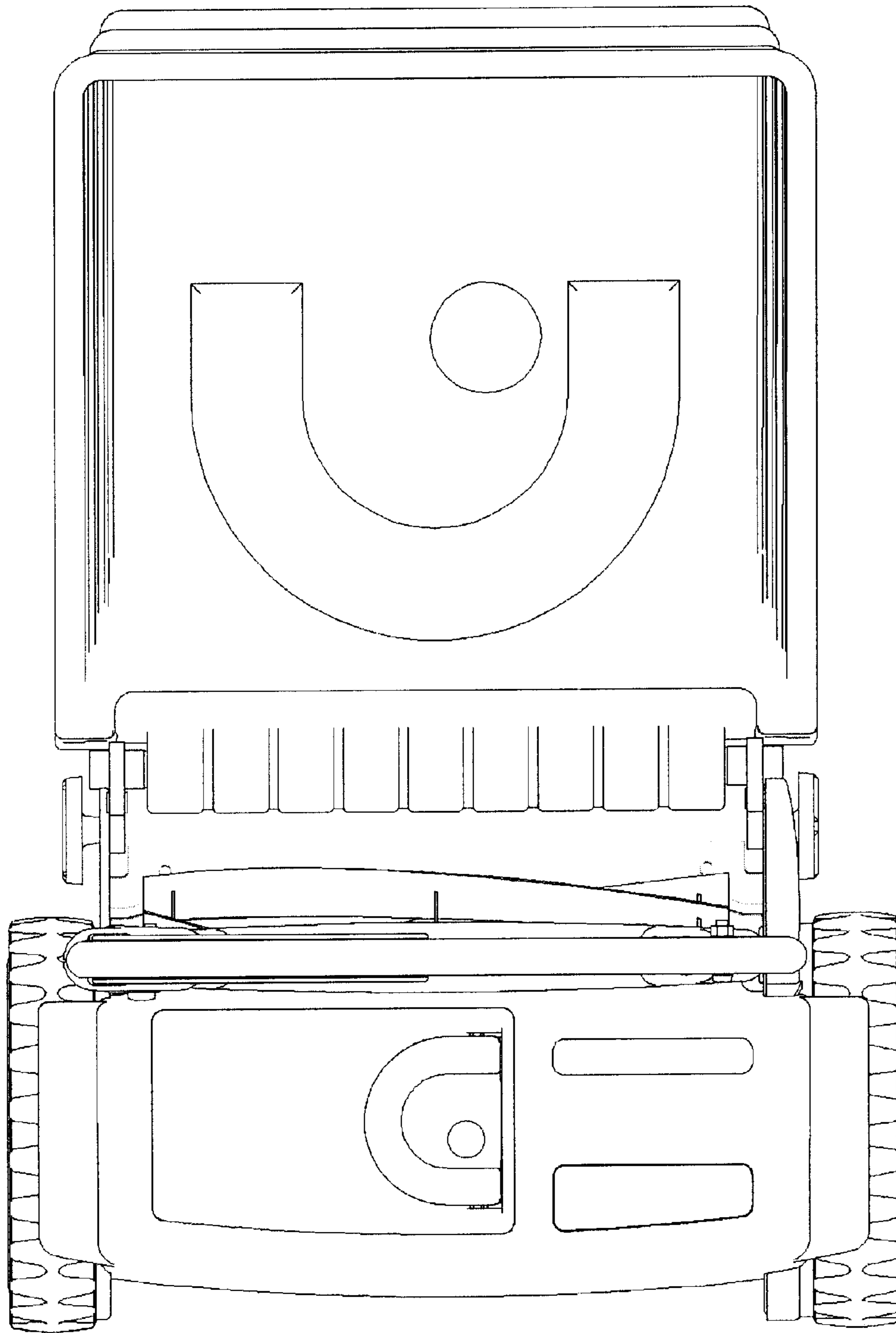


Fig. 6

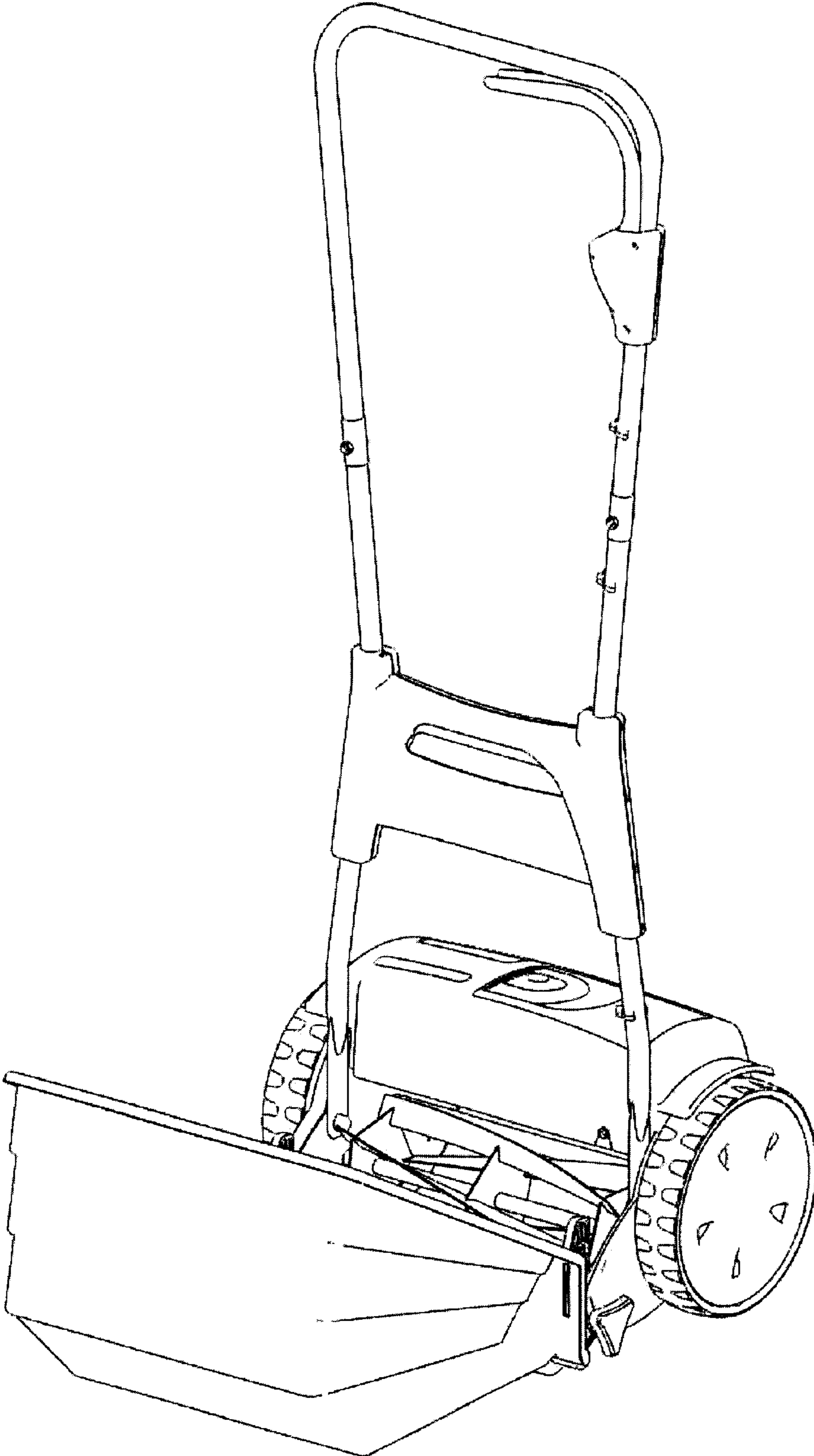


Fig. 7

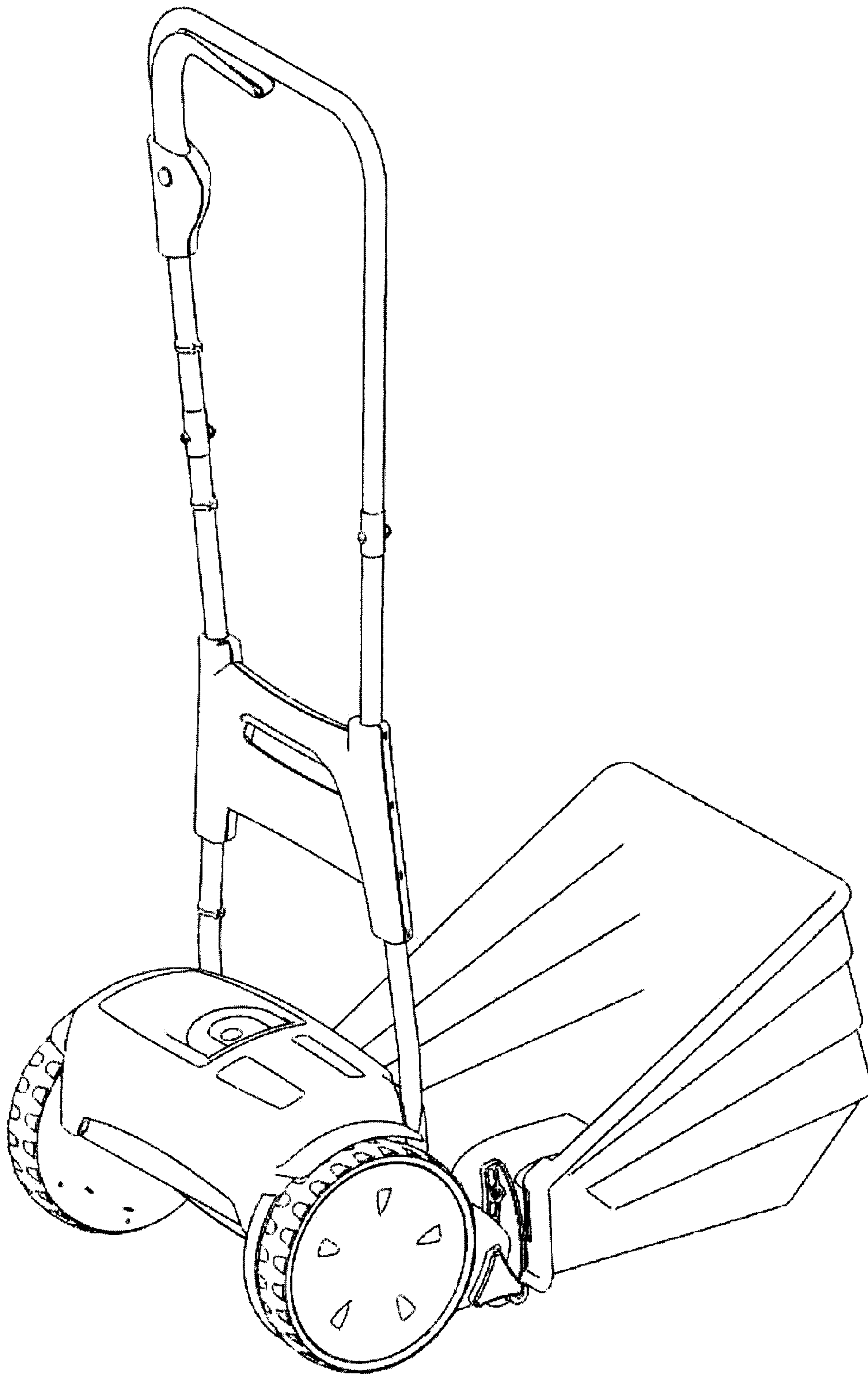


Fig. 8