



US00D511345S

(12) **United States Design Patent**
Heatherly et al.

(10) **Patent No.: US D511,345 S**
(45) **Date of Patent: ** Nov. 8, 2005**

(54) **MONITOR**

(75) Inventors: **Chris Heatherly**, Pasadena, CA (US);
Jon Guerra, Pasadena, CA (US);
Christian Schluender, Sunnyvale, CA (US);
Po Yi Ng, Sunnyvale, CA (US);
Mikal Greaves, Mountainview, CA (US);
Allison Conner, Sunnyvale, CA (US)

(73) Assignee: **Disney Enterprise, Inc.**, Burbank, CA (US)

(**) Term: **14 Years**

(21) Appl. No.: **29/210,876**

(22) Filed: **Aug. 5, 2004**

(51) **LOC (8) Cl.** **14-02**

(52) **U.S. Cl.** **D14/371**

(58) **Field of Search** D14/371-376,
D14/125-129; 345/104, 156, 168, 169,
173, 87; 348/108, 184, 325, 739; 248/917-924;
349/1, 2, 11, 62; 341/12

(56) **References Cited**

U.S. PATENT DOCUMENTS

D458,910 S * 6/2002 Kita D14/126

D469,433 S * 1/2003 Liao D14/375
D469,764 S * 2/2003 Liao D14/371
D479,237 S * 9/2003 Juan D14/375
D483,360 S * 12/2003 Ma D14/371

* cited by examiner

Primary Examiner—Freda S. Nunn
(74) *Attorney, Agent, or Firm*—Greenberg Traurig, LLP;
Pablo E. Tapla, Esq.; Neer Gupta, Esq.

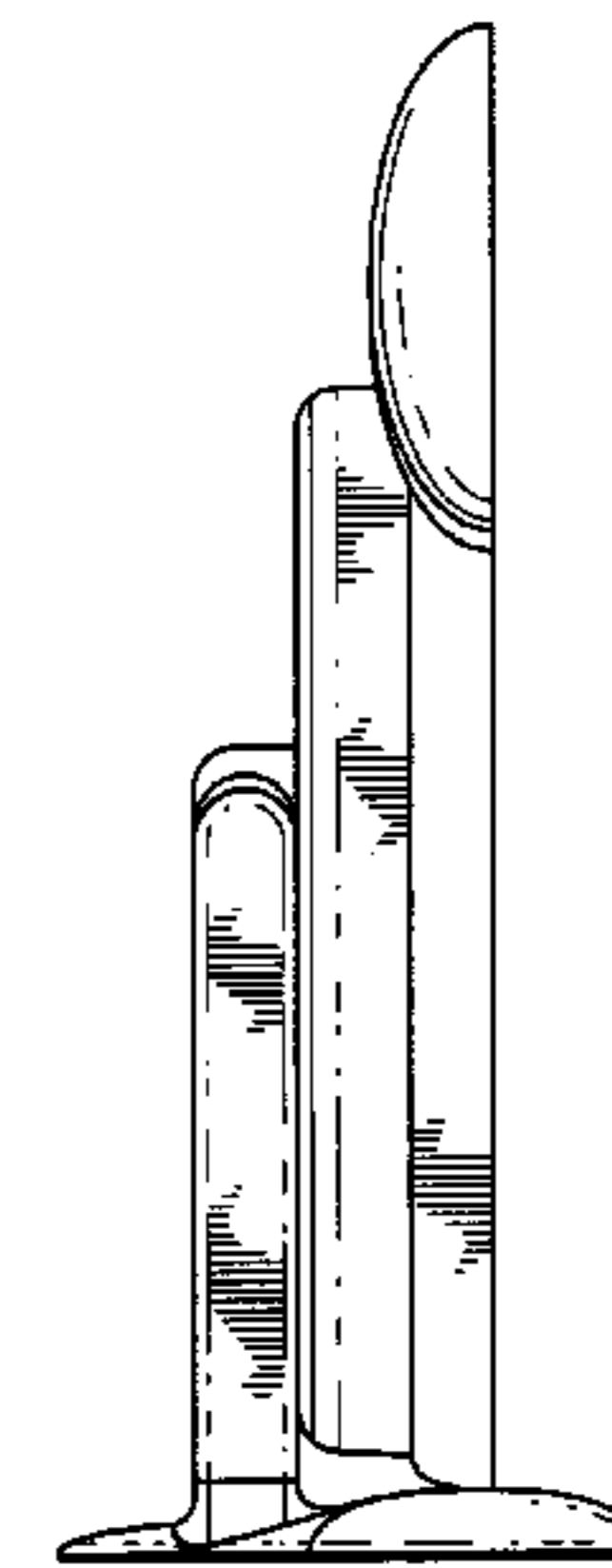
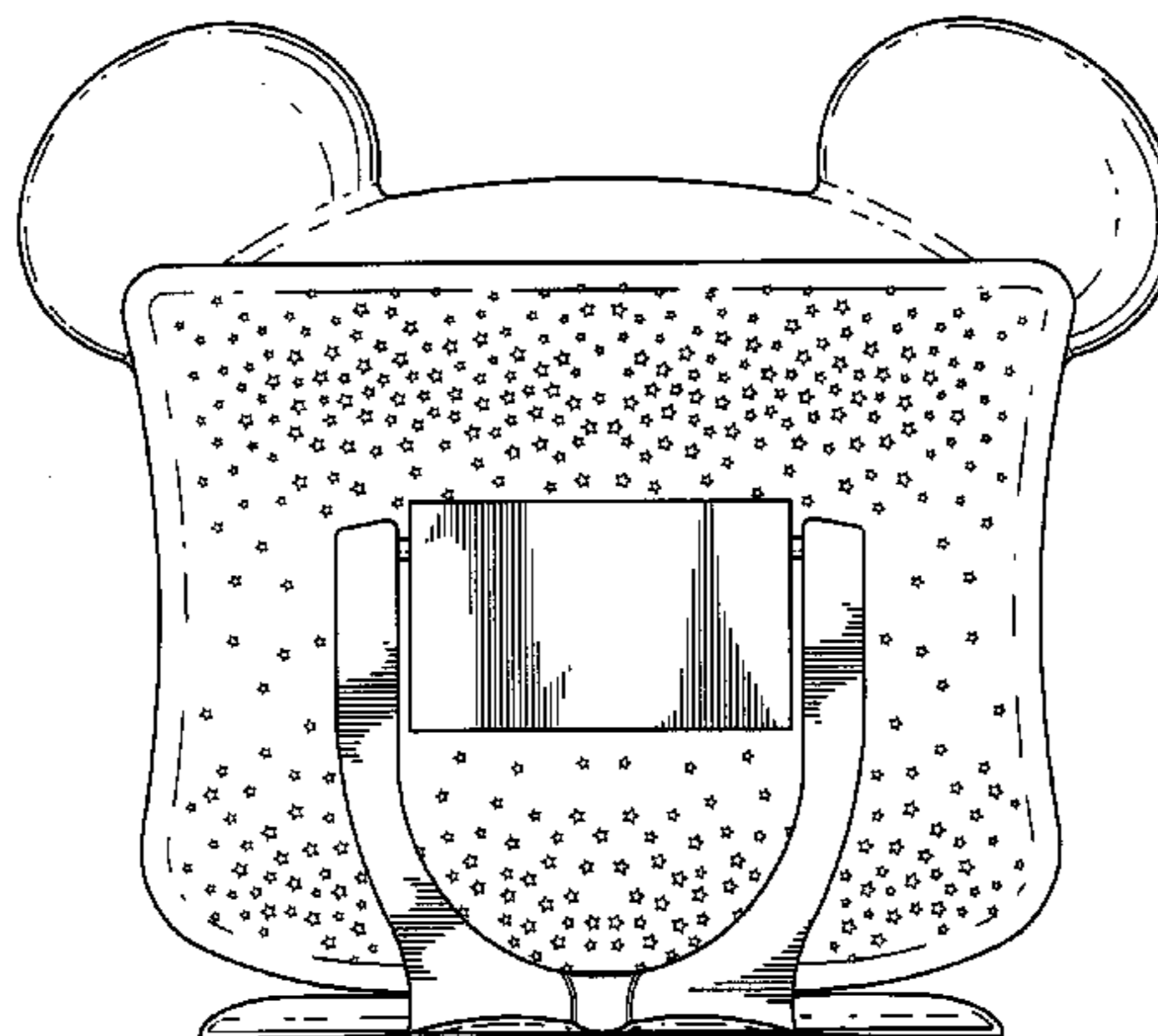
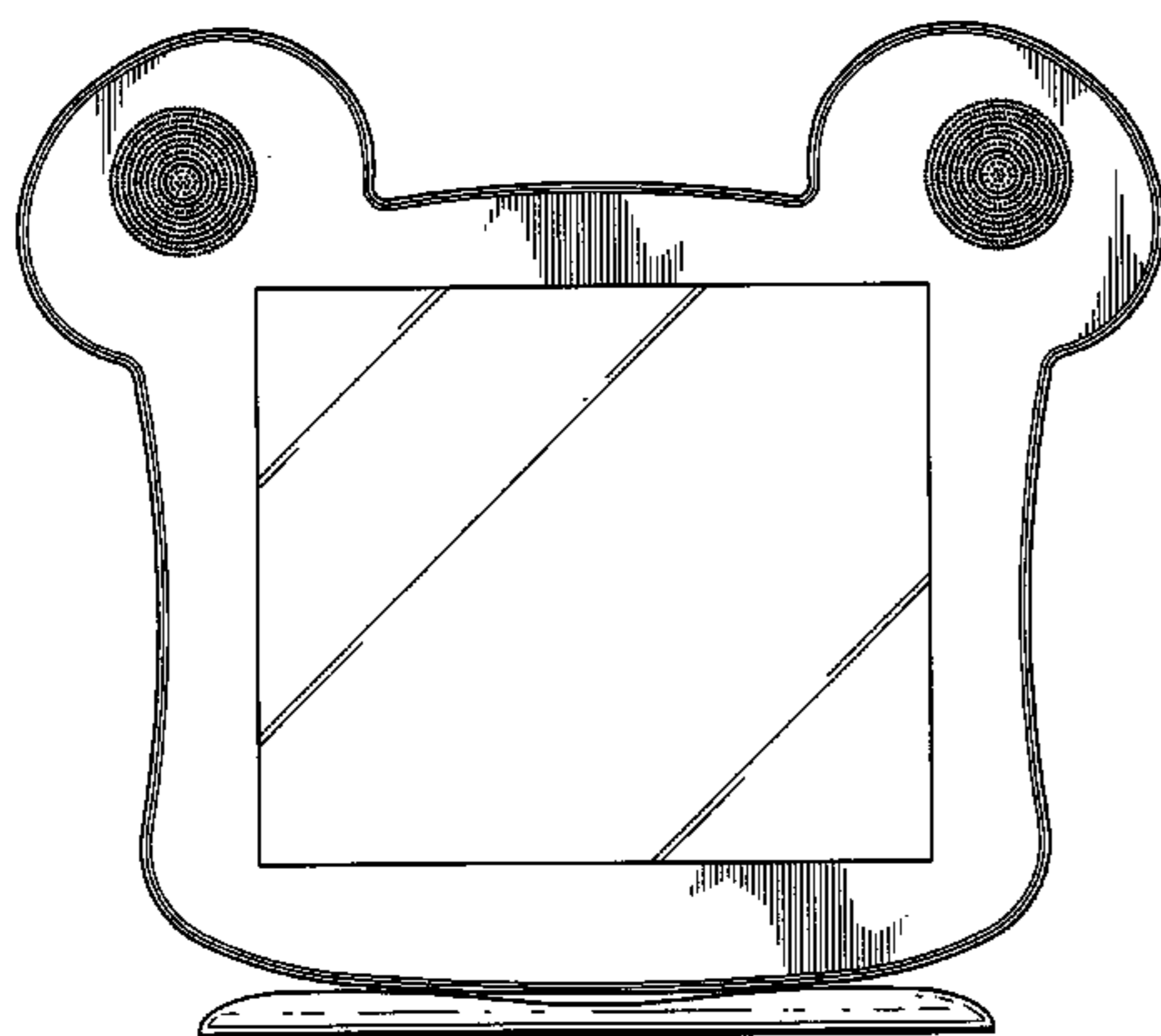
(57) **CLAIM**

The ornamental design for a monitor, as shown and described.

DESCRIPTION

FIG. 1 is a front view of the design;
FIG. 2 is a bottom view of the design;
FIG. 3 is a rear view of the design;
FIG. 4 is a top view of the design;
FIG. 5 is a right side view of the design;
FIG. 6 is a left side view of the design; and,
FIG. 7 is a rear view of another embodiment of the design.
The broken lines are for illustrative purposes only and form no part of the claimed design.

1 Claim, 4 Drawing Sheets



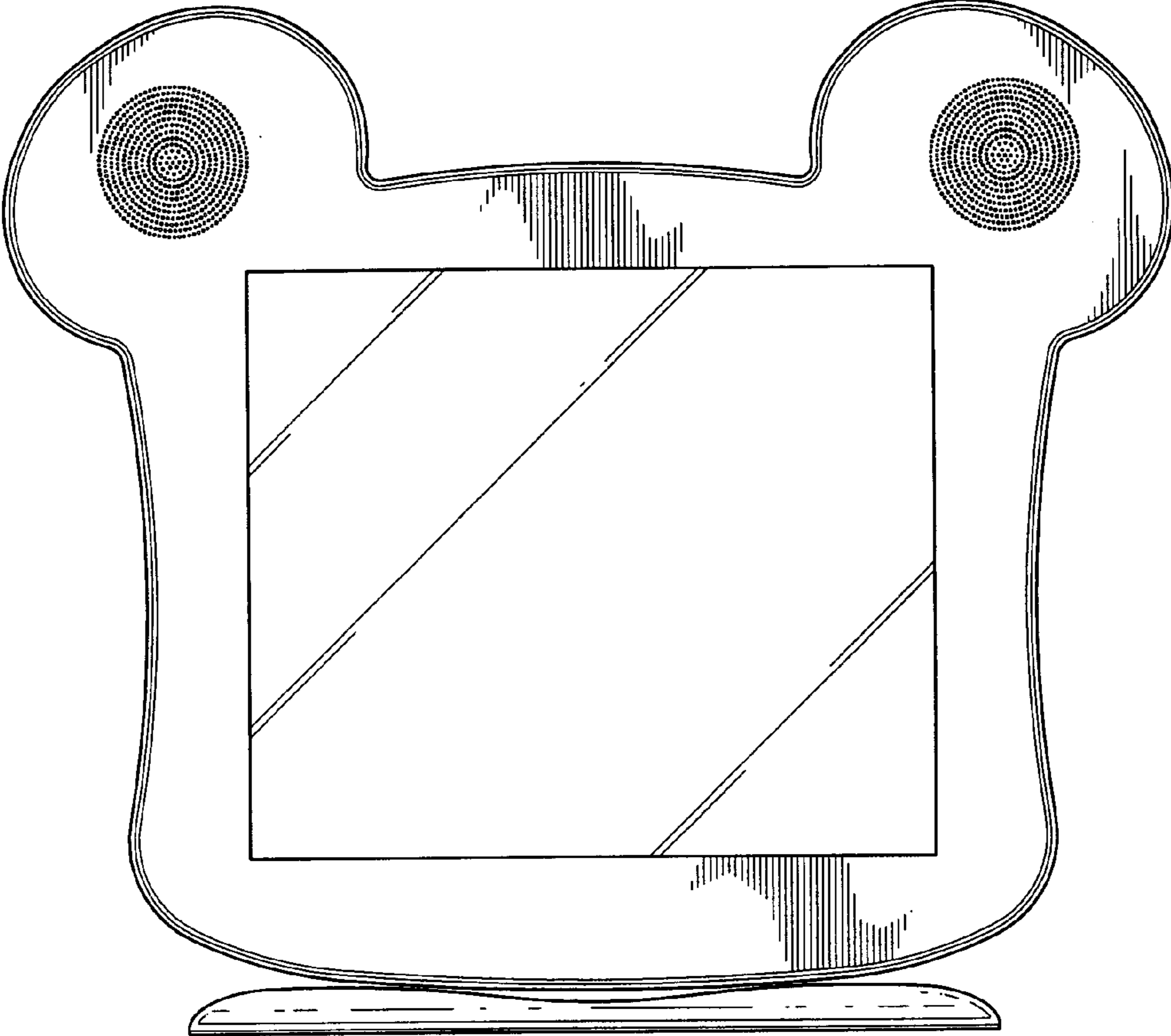


FIG. 1

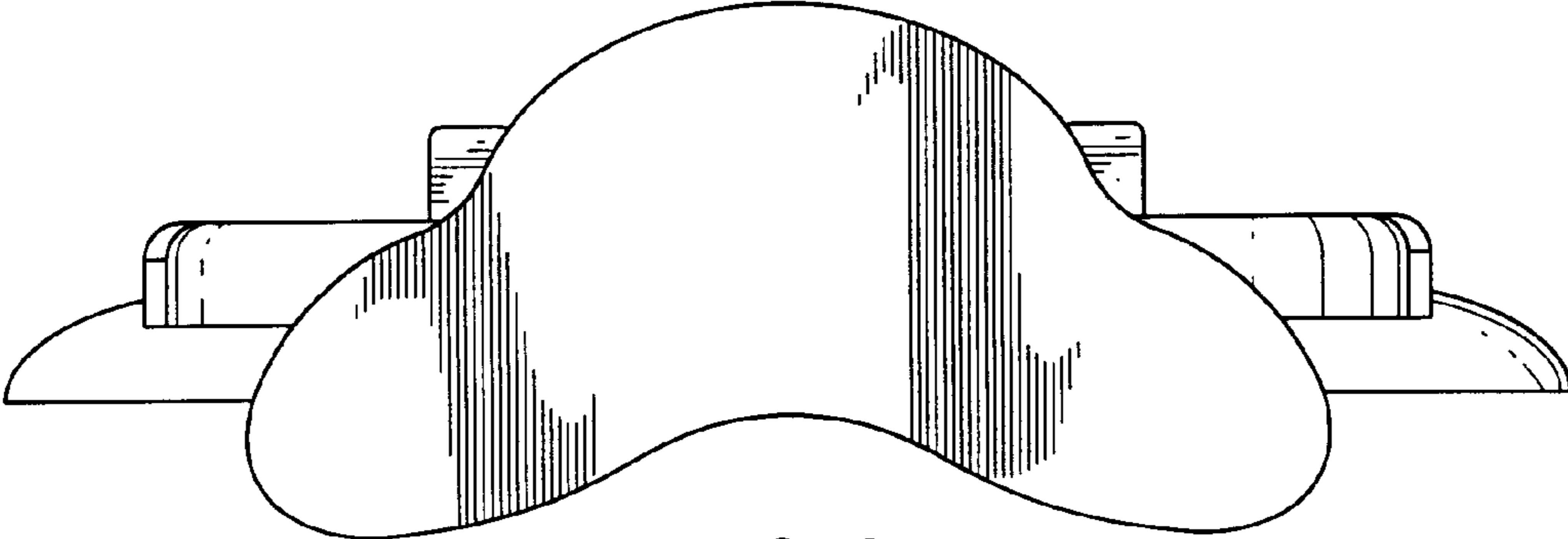


FIG. 2

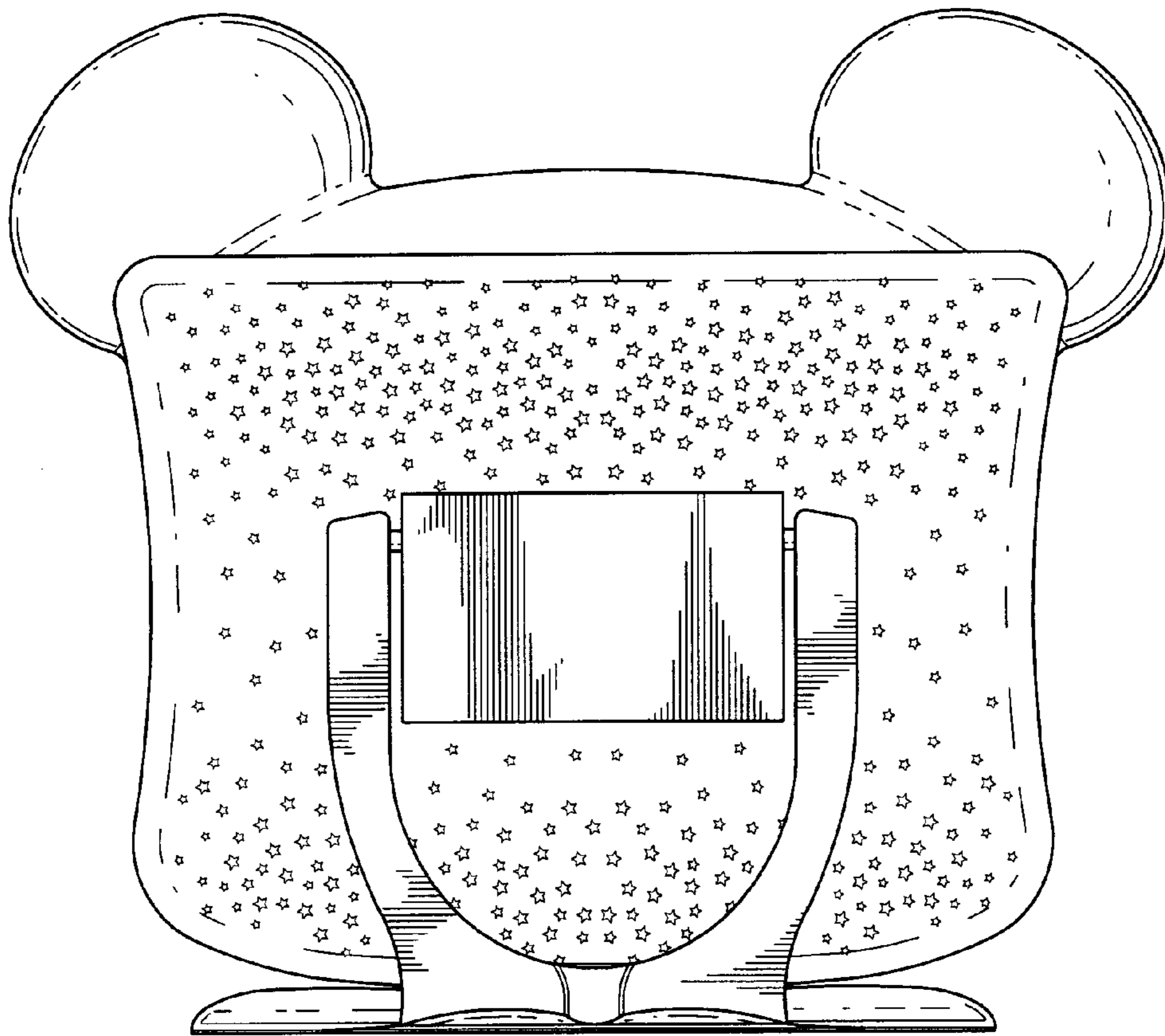


FIG. 3

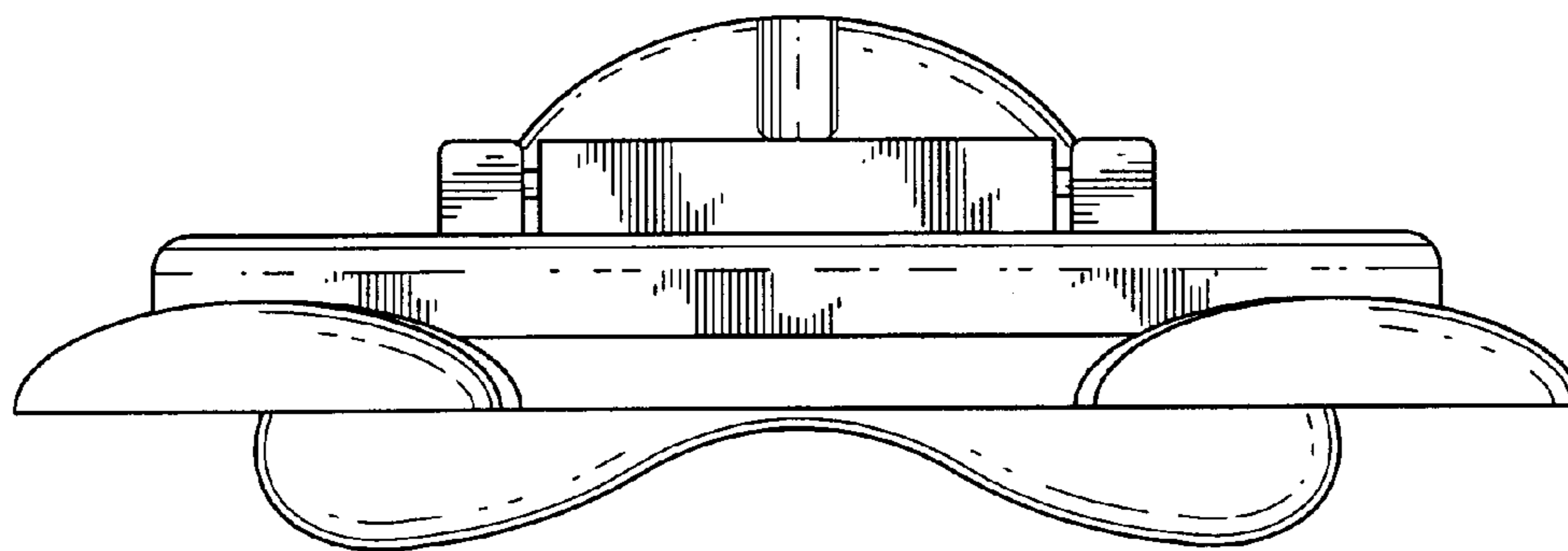


FIG. 4

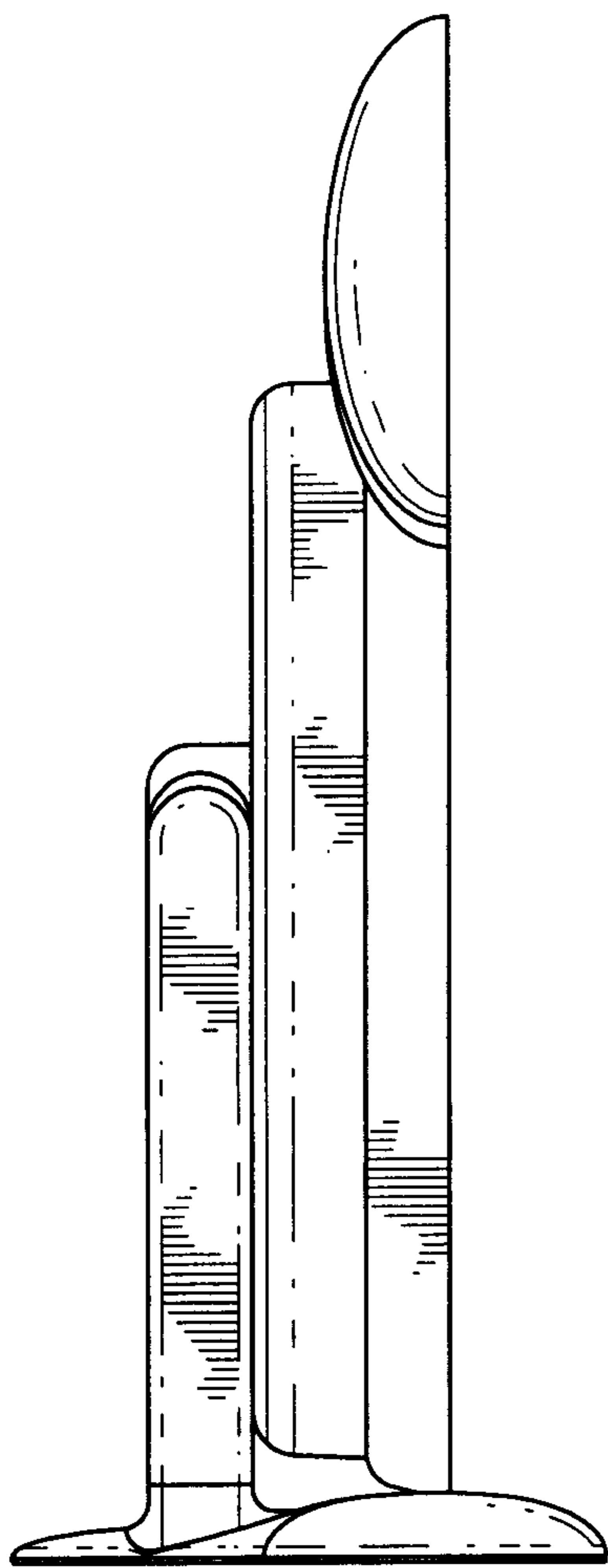


FIG. 5

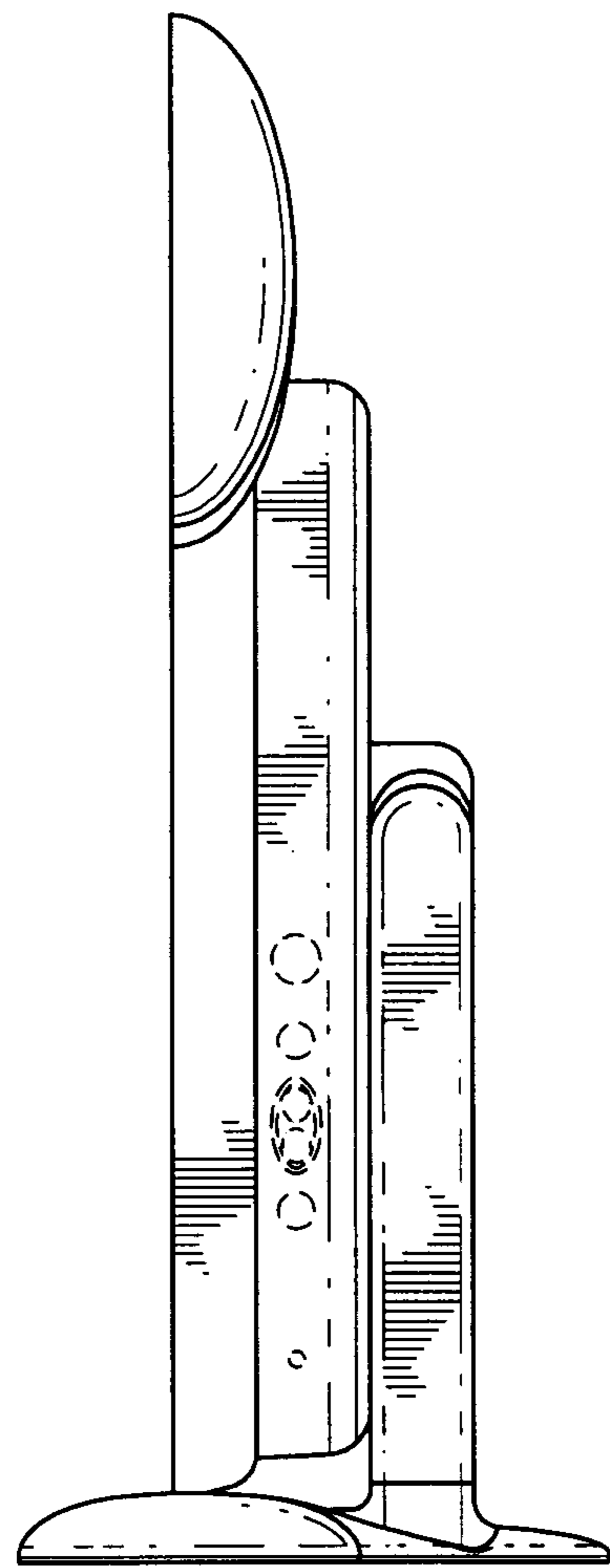


FIG. 6

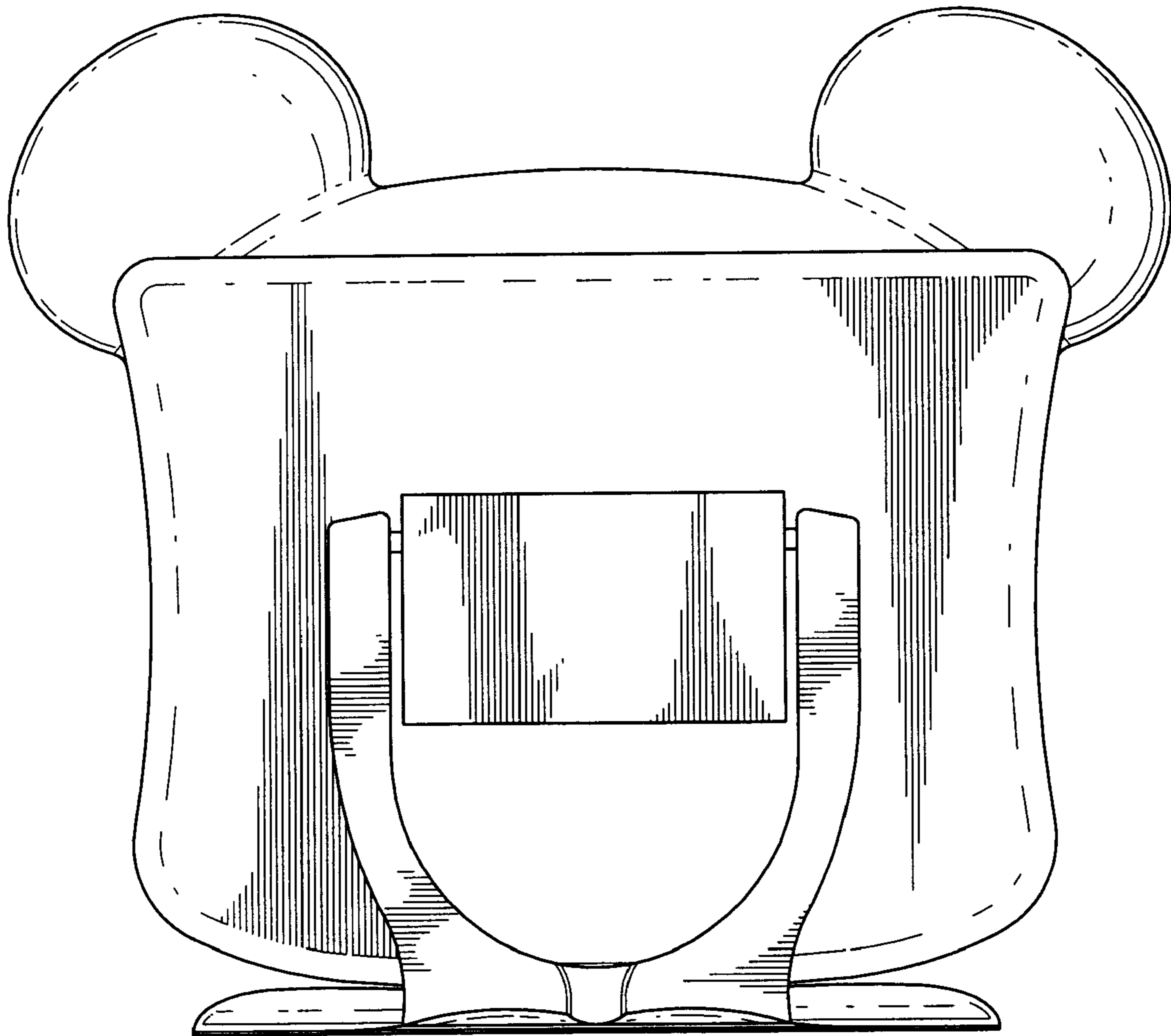


FIG. 7