



US00D511344S

(12) **United States Design Patent** (10) **Patent No.:** **US D511,344 S**
Takei (45) **Date of Patent:** **** Nov. 8, 2005**

(54) **PORTABLE HARD DISC DRIVE**

(75) Inventor: **Yutaka Takei**, Tokyo (JP)

(73) Assignee: **Sony Corporation**, Tokyo (JP)

(**) Term: **14 Years**

(21) Appl. No.: **29/203,749**

(22) Filed: **Apr. 20, 2004**

(51) **LOC (8) Cl.** **14-02**

(52) **U.S. Cl.** **D14/363**

(58) **Field of Search** D14/365, 363,
D14/356, 348, 341, 432, 433, 434-435,
439, 483; 361/625, 725, 683-86, 737, 732,
784, 803; 70/58, 30; 711/115; 439/165,
173, 31, 135, 140, 144; 429/185, 96; 708/142;
360/69, 98.02, 99.01; D13/184, 199; 174/250,
255; 235/492, 441; 710/68, 61, 62, 74

(56) **References Cited**

U.S. PATENT DOCUMENTS

5,371,349 A * 12/1994 Kimura 235/492
D444,788 S * 7/2001 Do et al. D14/433
D458,907 S 6/2002 Morimiya
6,490,163 B1 * 12/2002 Pua et al. 361/737
2002/0083239 A1 * 6/2002 Iida et al. 710/74

OTHER PUBLICATIONS

Web page “ADR-SDUL” http://www.sanwa.co.jp/product/syohin.asp?code=ADR-SDUL*cate=9, 2 sheets, Yodobashi Camera (Apr. 2004).

Web page “USB-HUB204BL” <http://www.yodobashi.com/enjoy/more/i/11476990.html>, 2 sheets, Yodobashi Camera (Apr. 2004).

Web page “USB-HUB16SV” http://www.yodobashi.com/enjoy/more/i/oid2_9089780/2516671.html, 2 sheets, Yodobashi Camera (Apr. 2004).

Web page “USB-HUB18SV” http://www.yodobashi.com/enjoy/more/i/oid2_9089780/2516934.html, 2 sheets, Yodobashi Camera (Apr. 2004).

Web page “LMC-CAMINIU” http://www7.yodobashi.com/enjoy/more/i/oid2_7234989/13100182.html, 2 sheets, Yodobashi Camera (Apr. 2004).

* cited by examiner

Primary Examiner—Alan P. Douglas

Assistant Examiner—Susan Moon Lee

(74) *Attorney, Agent, or Firm*—Rader, Fishman & Grauer PLLC

(57) **CLAIM**

The ornamental design for a portable hard disc drive, as shown.

DESCRIPTION

FIG. 1 is a perspective view of a portable hard disc drive showing my new design;

FIG. 2 is a front elevational view thereof;

FIG. 3 is a left side elevational view thereof;

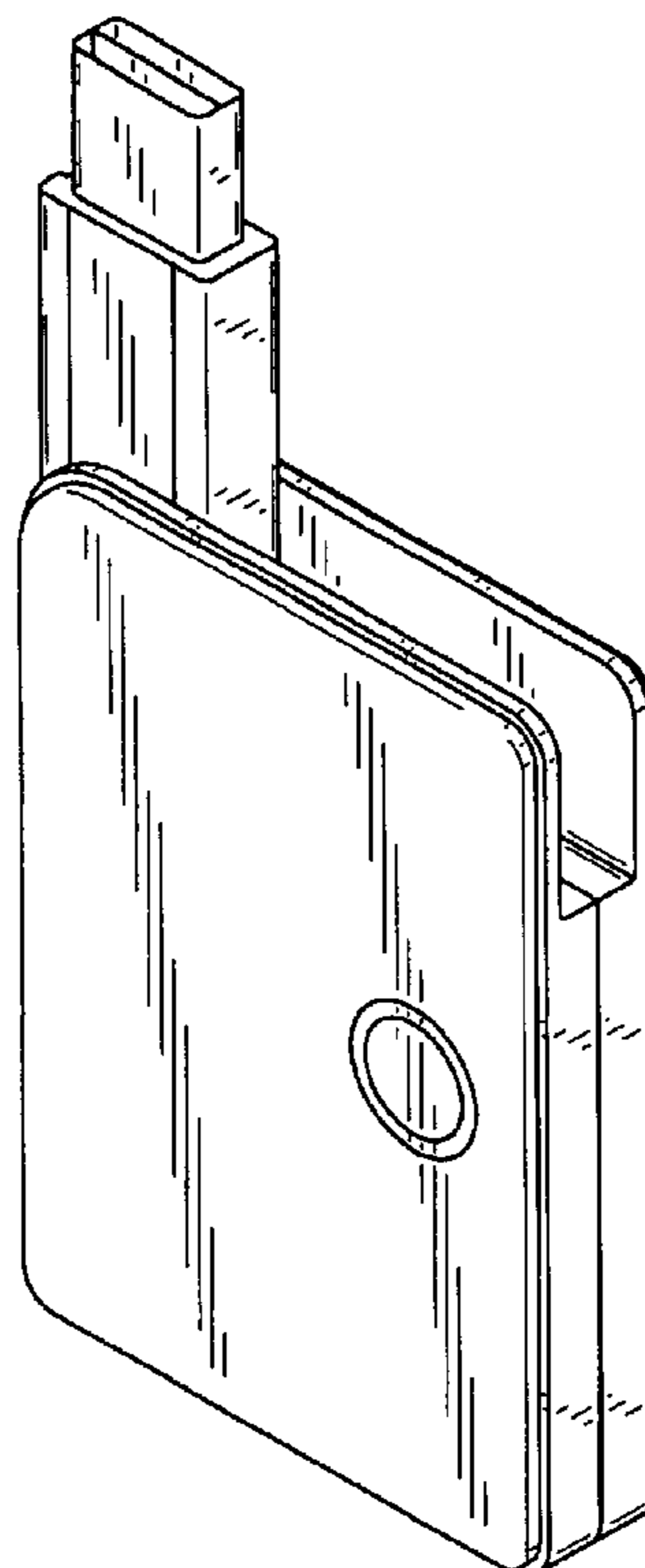
FIG. 4 is a right side elevational view thereof;

FIG. 5 is a top plan view thereof;

FIG. 6 is a reference rear elevational view thereof; and,

FIG. 7 is a bottom plan view thereof.

1 Claim, 4 Drawing Sheets



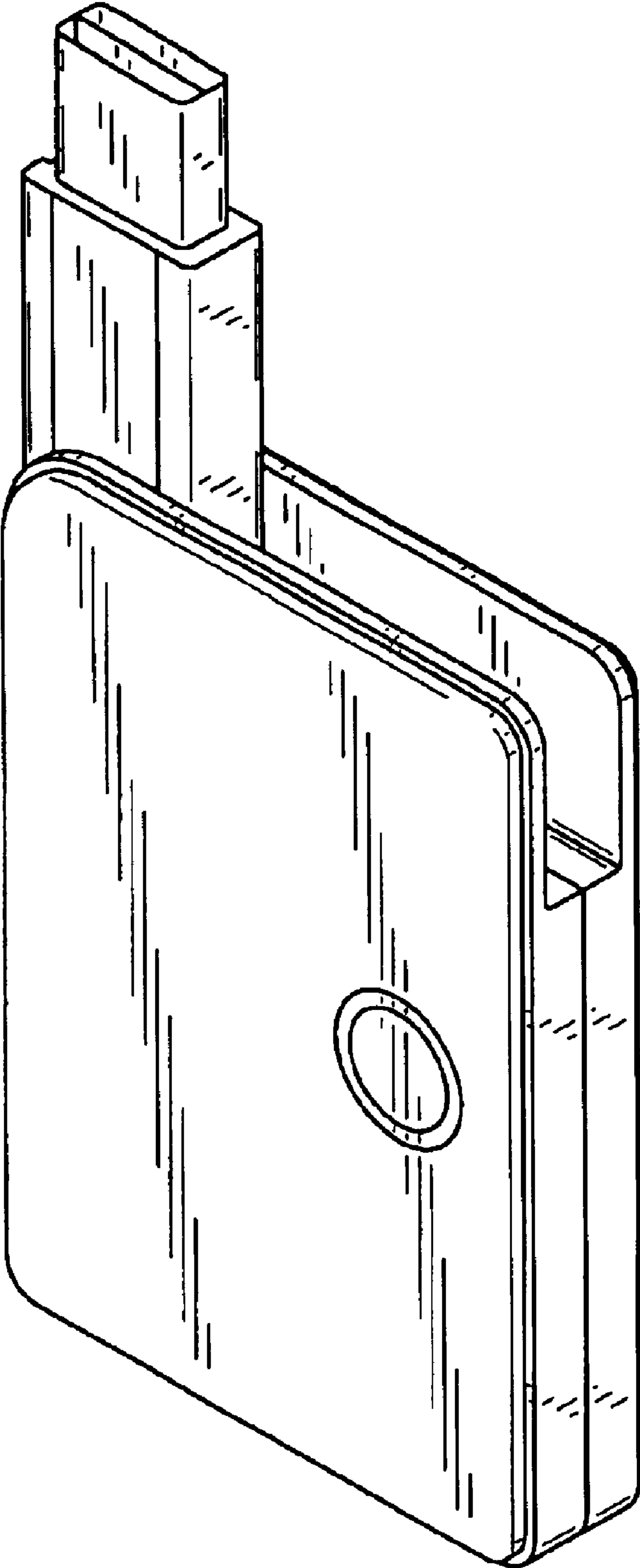


FIG. 1

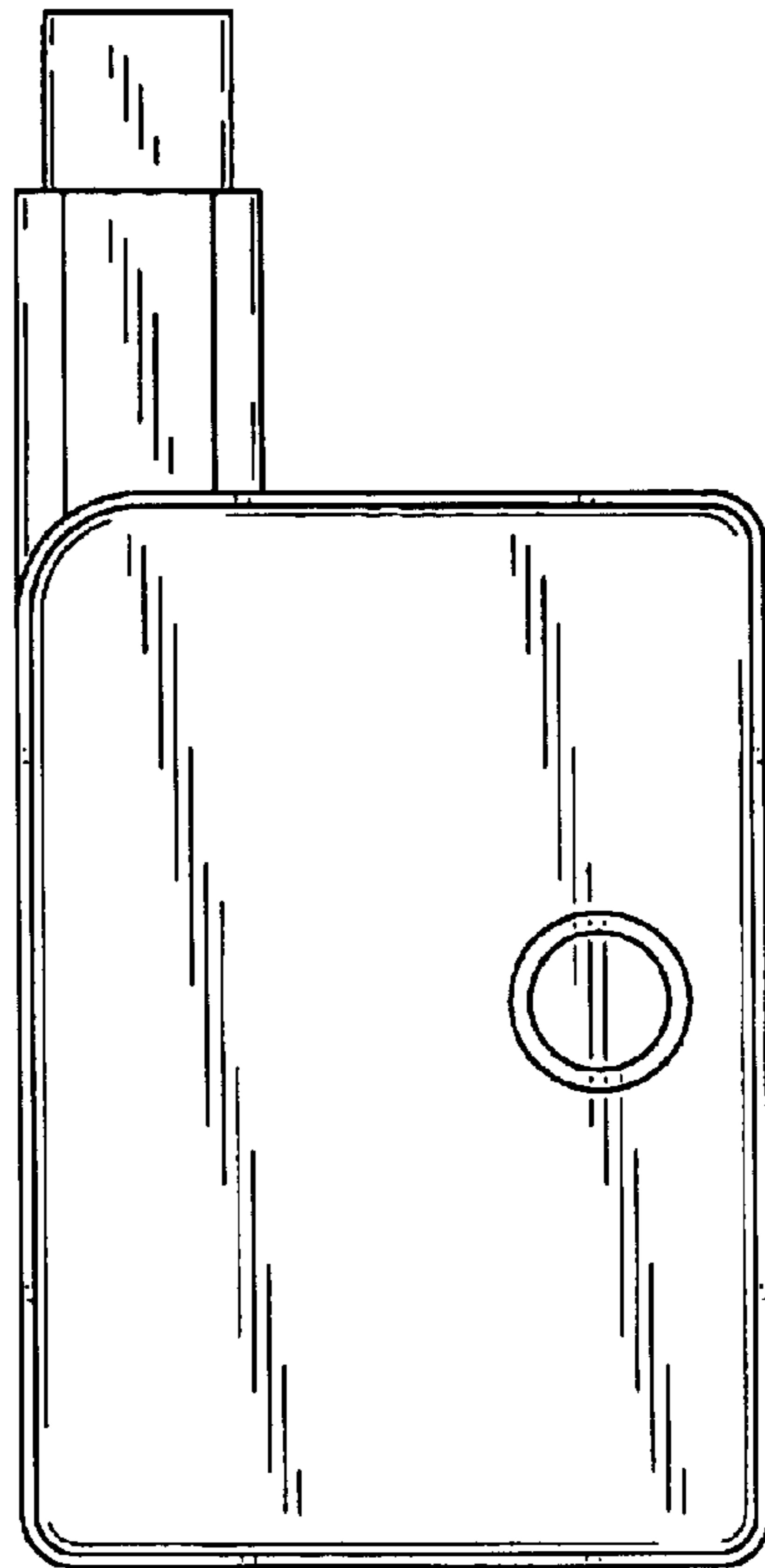


FIG. 2

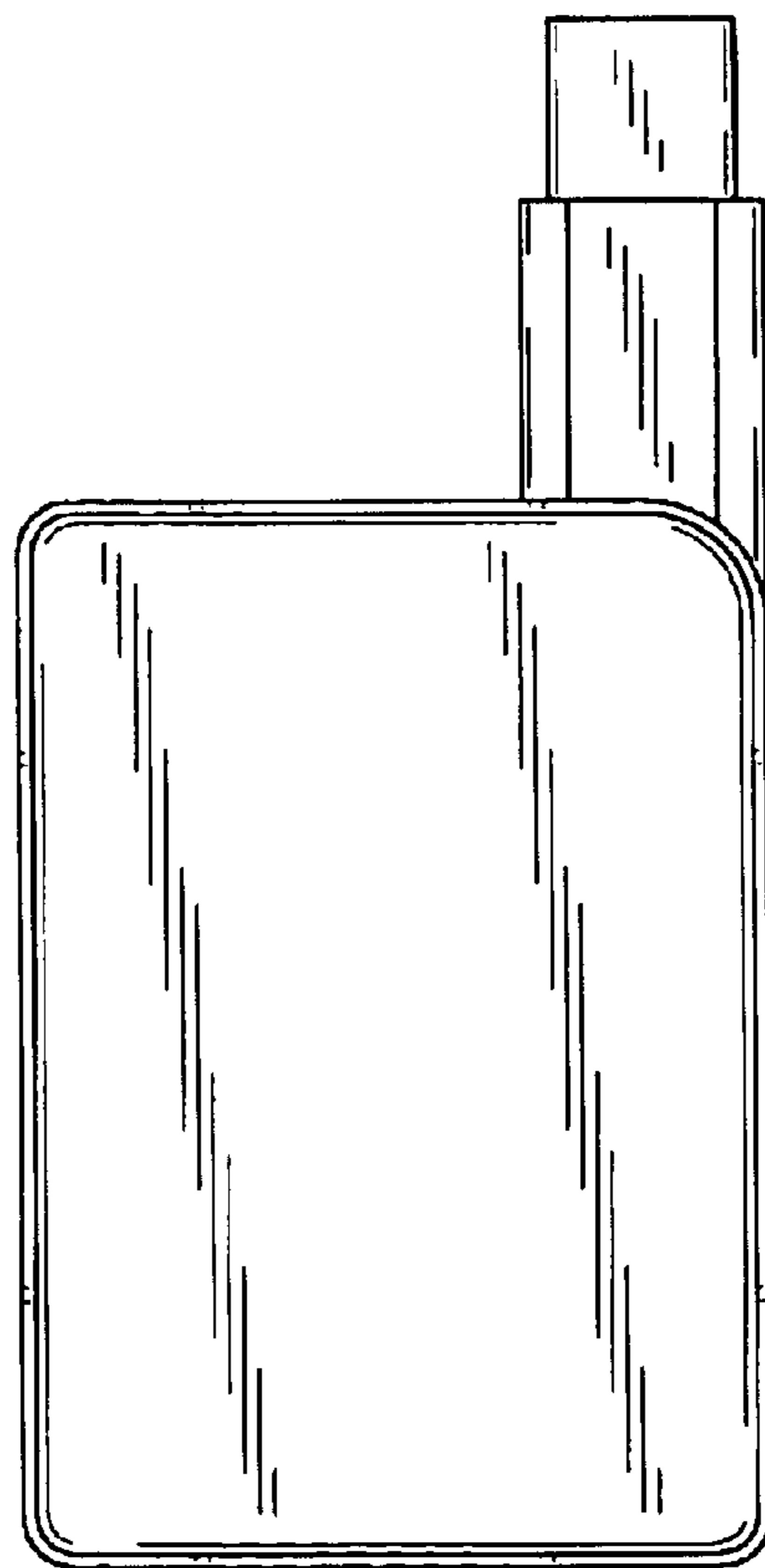


FIG. 3

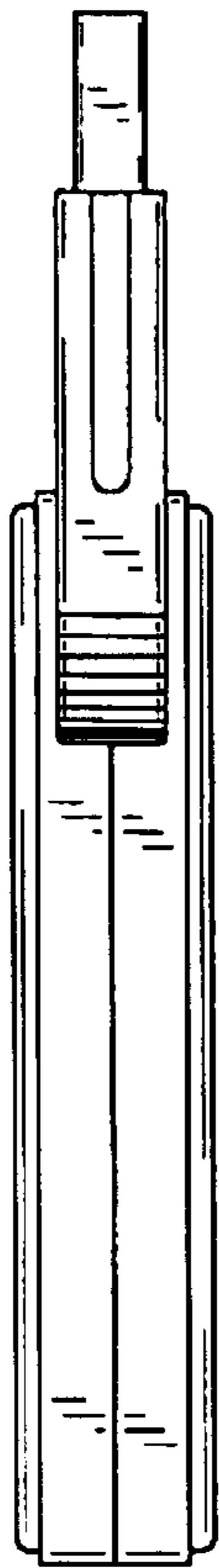


FIG. 4

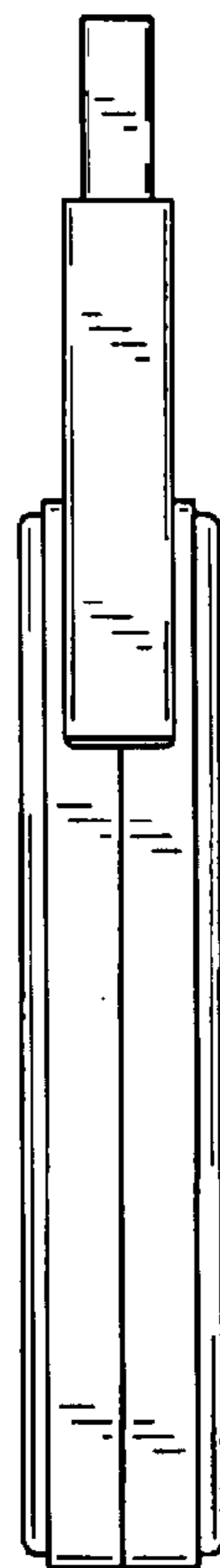


FIG. 5

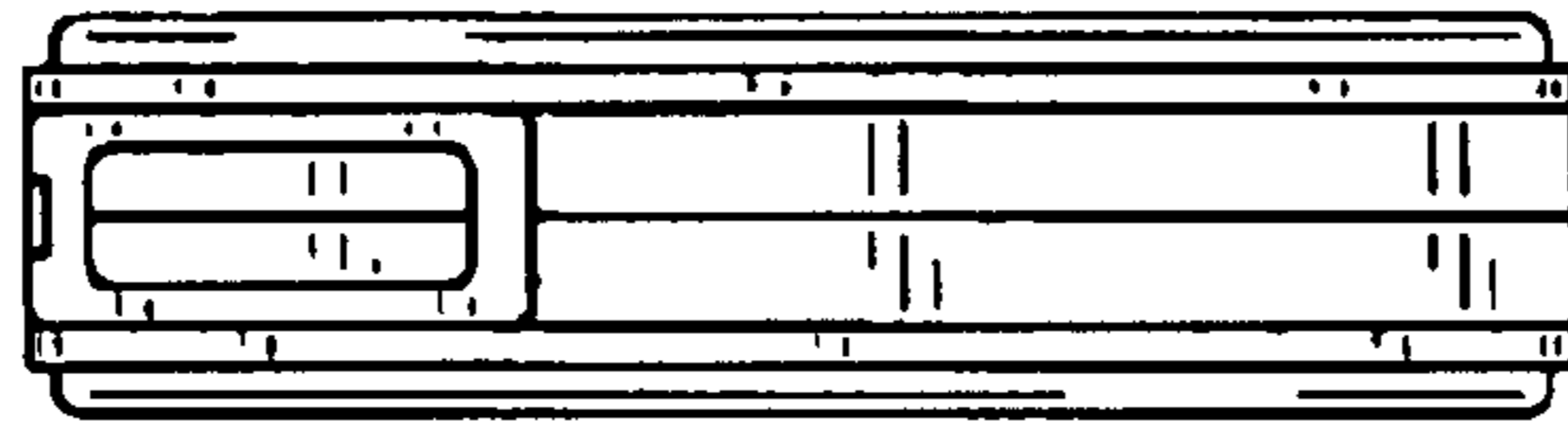


FIG. 6

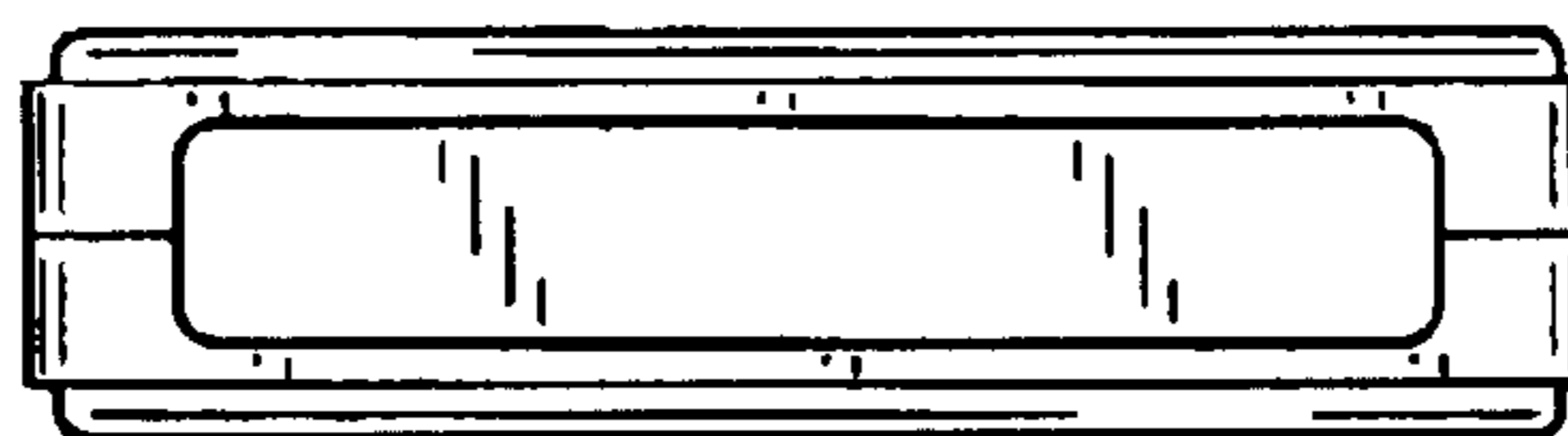


FIG. 7