



US00D511343S

(12) **United States Design Patent** (10) **Patent No.:** **US D511,343 S**
Solomon et al. (45) **Date of Patent:** **** Nov. 8, 2005**

(54) **MOBILE HARD DRIVE**
 (75) Inventors: **Mark C. Solomon**, Cypress, TX (US);
Kevin L. Massaro, Houston, TX (US)
 (73) Assignee: **Hewlett-Packard Development Company, L.P.**, Houston, TX (US)
 (**) Term: **14 Years**

6,011,670 A * 1/2000 Balsley, Jr. et al. 360/97.01
 6,188,660 B1 * 2/2001 Yamamori 720/600
 6,249,432 B1 * 6/2001 Gamble et al. 361/685
 D475,370 S * 6/2003 Bone et al. D14/301
 2002/0105787 A1 * 8/2002 Kobayashi et al. 361/752
 2002/0163787 A1 * 11/2002 Kameda et al. 361/752

* cited by examiner

Primary Examiner—Alan P. Douglas
Assistant Examiner—Susan Moon Lee

(21) Appl. No.: **29/210,307**
 (22) Filed: **Jul. 29, 2004**

(57) **CLAIM**

The ornamental design for a mobile hard drive, as shown and described.

(51) **LOC (8) Cl.** **14-02**
 (52) **U.S. Cl.** **D14/356**
 (58) **Field of Search** D14/363, 300,
 D14/301, 356, 367, 432, 353; D13/184;
 361/683–86, 740, 741, 752, 695; 360/97.02;
 720/600, 696; 369/75.11, 194, 192.1, 244.1,
 249.1, 258.1; 206/521; 174/52.1

DESCRIPTION

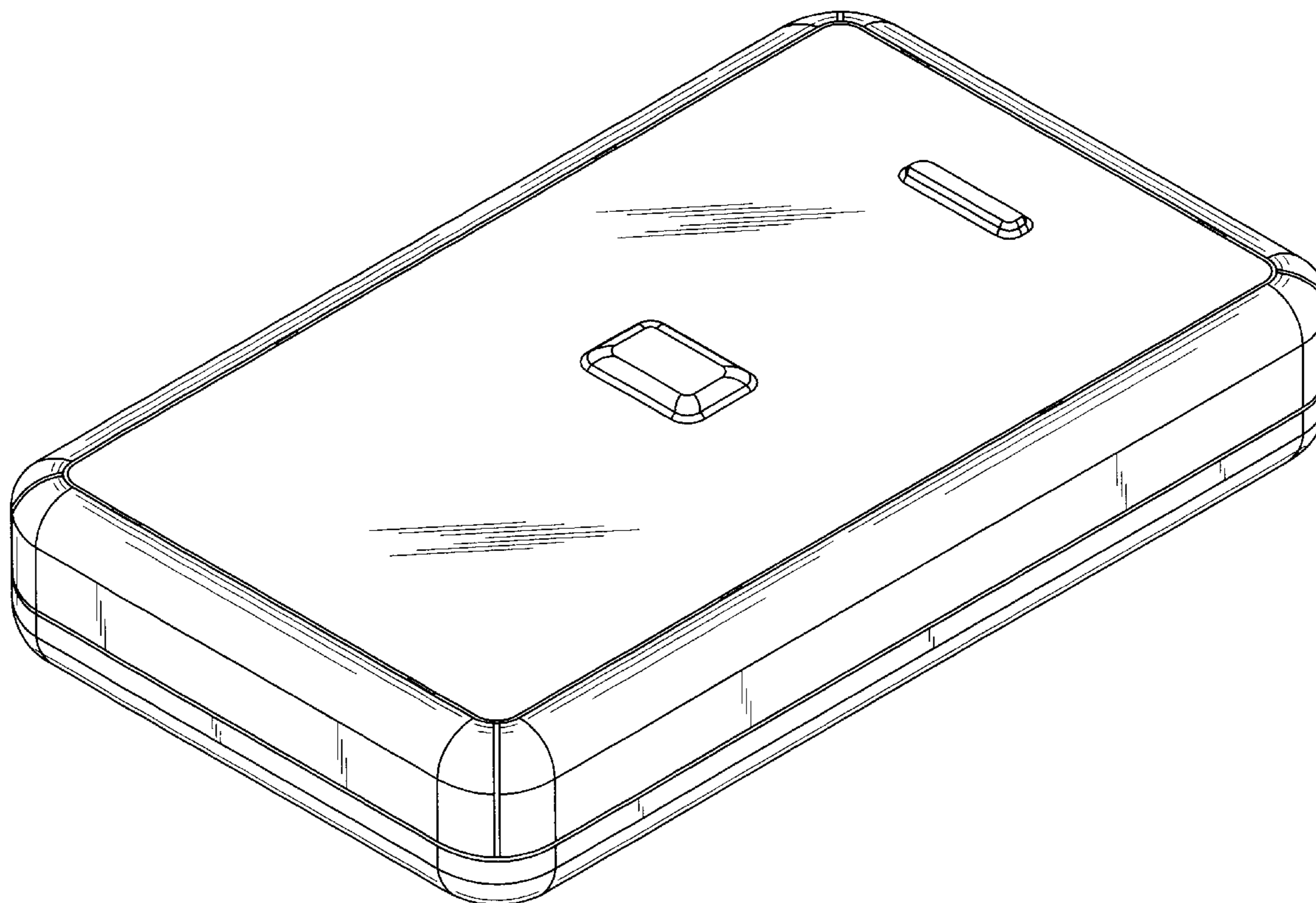
FIG. 1 is a perspective view of a mobile hard drive;
 FIG. 2 is a top plan view thereof;
 FIG. 3 is a bottom plan view thereof;
 FIG. 4 is a front elevation view thereof;
 FIG. 5 is a rear elevation view thereof;
 FIG. 6 is a left side elevation view thereof; and,
 FIG. 7 is a right side elevation view thereof.
 Features shown in dashed lines in the drawing figures form no part of the claimed design.

(56) **References Cited**

U.S. PATENT DOCUMENTS

5,402,308 A * 3/1995 Koyanagi et al. 361/685
 5,535,092 A * 7/1996 Bang 361/685
 5,995,365 A * 11/1999 Broder et al. 361/685

1 Claim, 5 Drawing Sheets



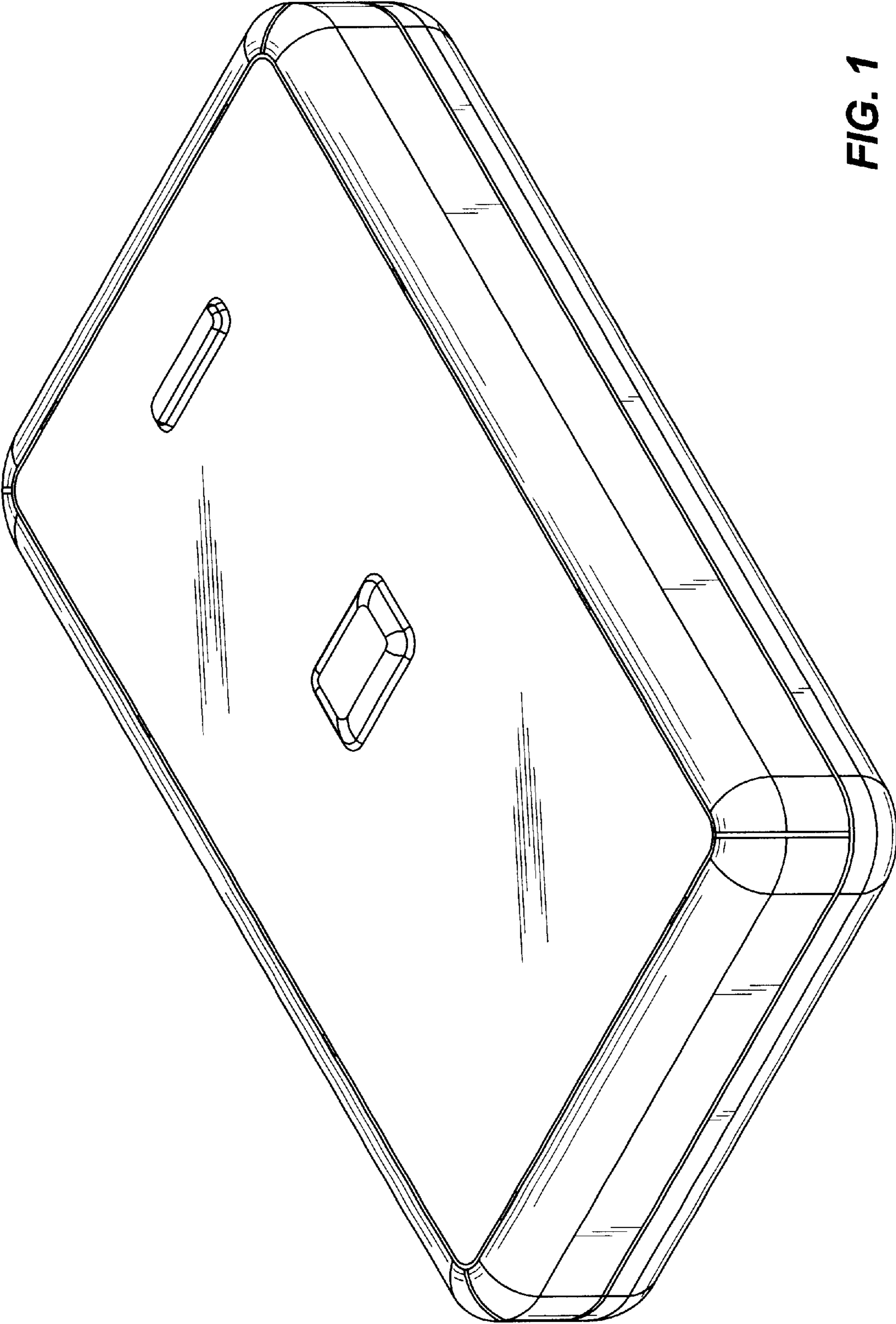


FIG. 1

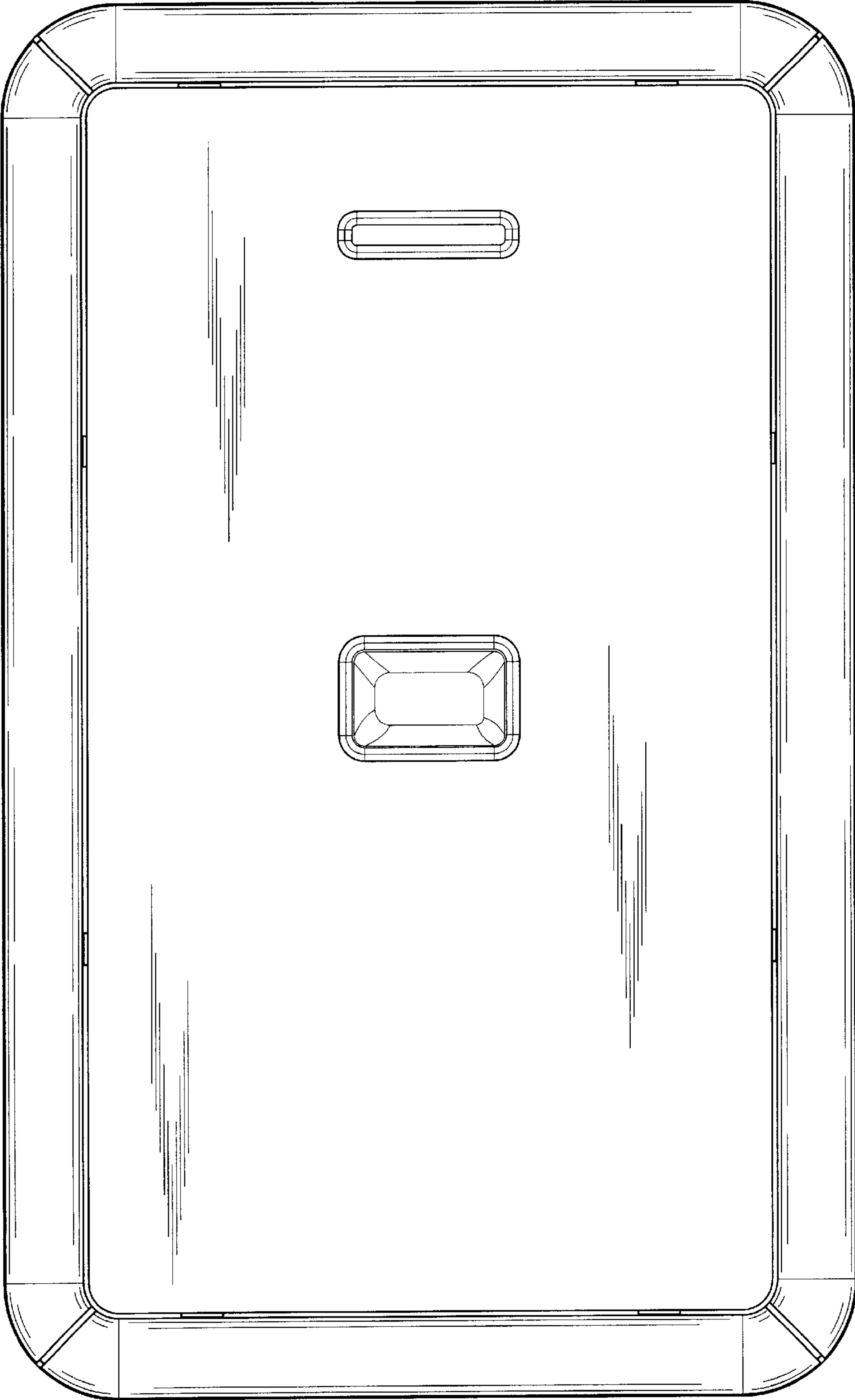


FIG. 2

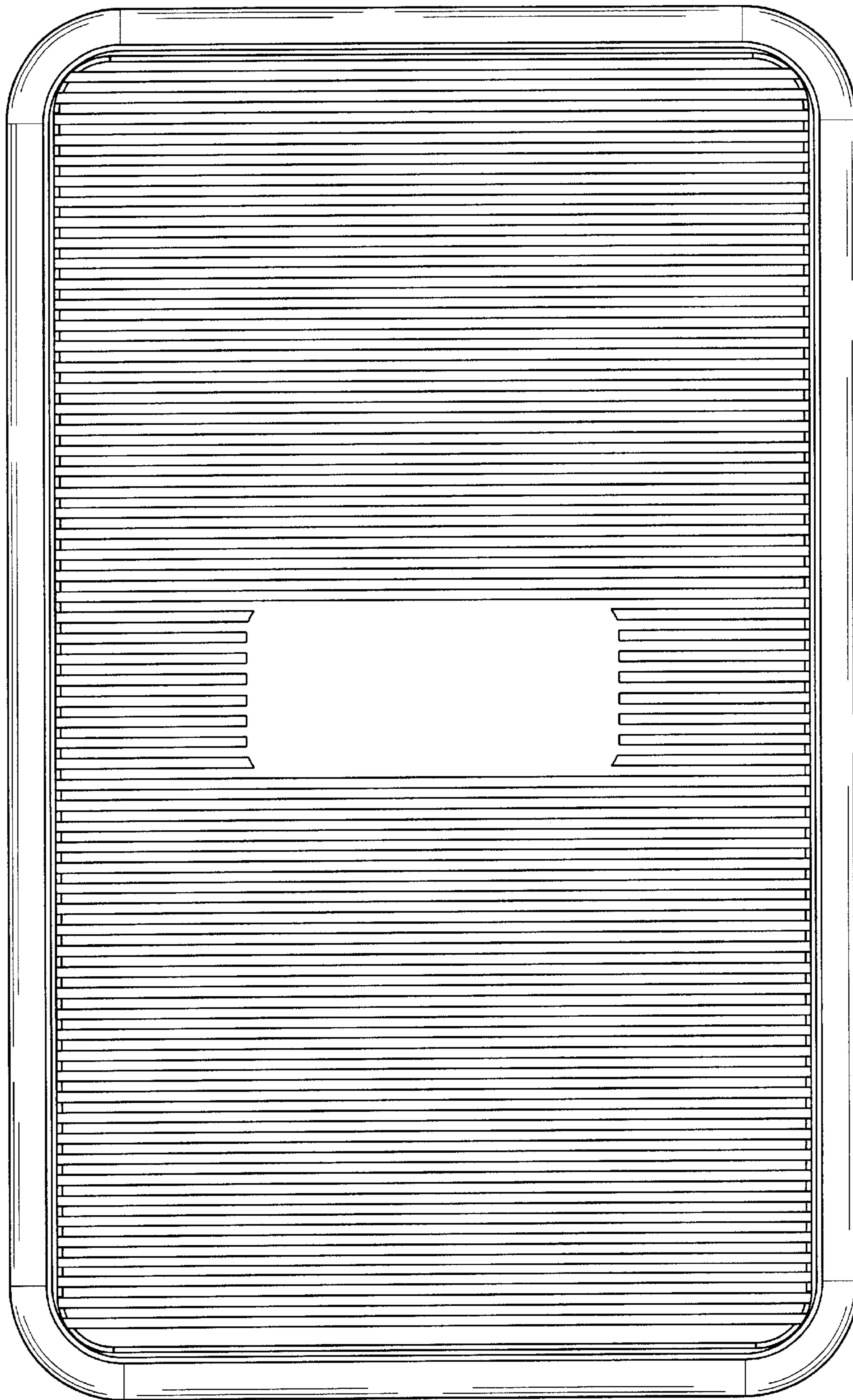


FIG. 3

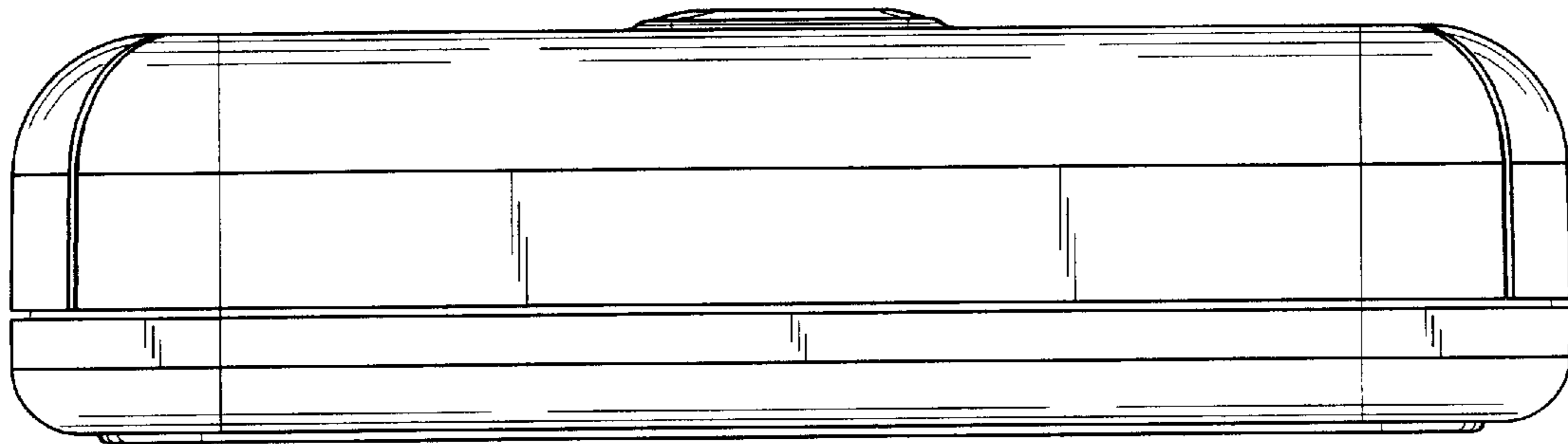


FIG. 4

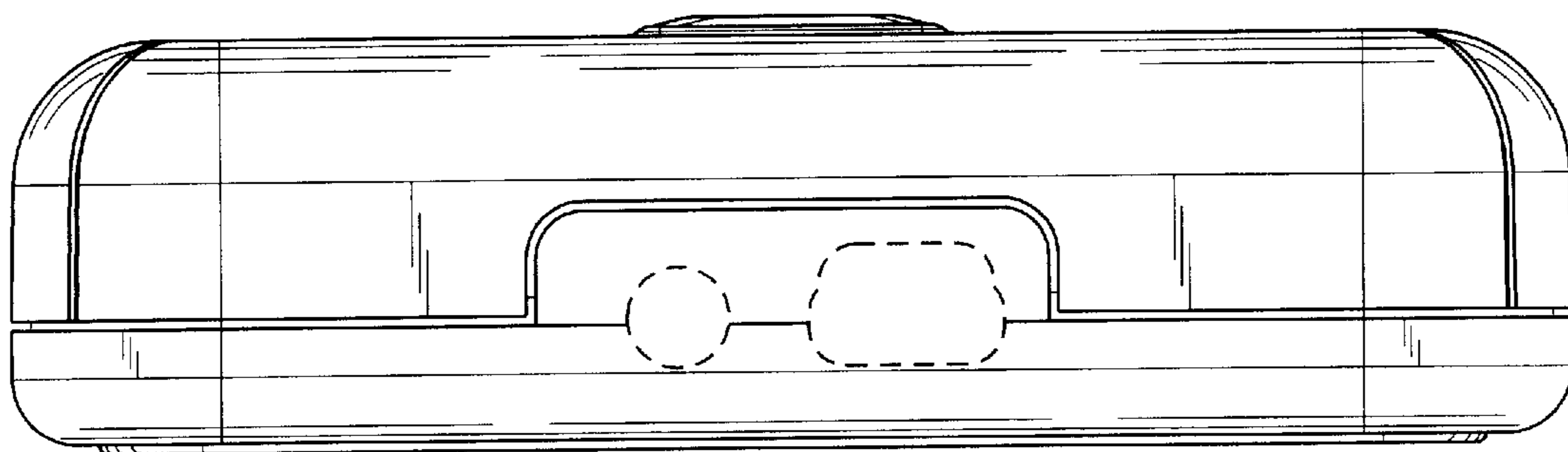


FIG. 5



FIG. 6

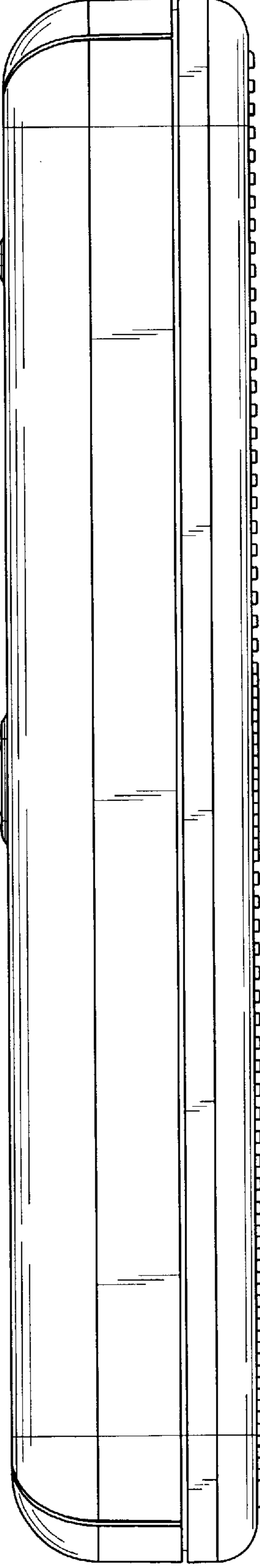


FIG. 7