



US00D511340S

(12) **United States Design Patent**
Mah

(10) **Patent No.:** **US D511,340 S**

(45) **Date of Patent:** **** Nov. 8, 2005**

(54) **TRANSDUCER**

(75) **Inventor:** **Pat Y. Mah**, Kowloon (HK)

(73) **Assignee:** **Daka Development Ltd.**, Kowloon (CN)

(**) **Term:** **14 Years**

(21) **Appl. No.:** **29/196,646**

(22) **Filed:** **Jan. 2, 2004**

(51) **LOC (8) Cl.** **14-01**

(52) **U.S. Cl.** **D14/222**

(58) **Field of Search** D10/104, 106,
D10/116, 121, 83, 94; D14/187, 204, 215,
221-222; D13/101; D24/187; 181/145,
148, 153, 157, 158, 163, 190; 381/150-152,
182, 185, 163-166, 337, 395, 430

(56) **References Cited**

U.S. PATENT DOCUMENTS

4,447,678 A * 5/1984 Fidi 381/163
D299,591 S * 1/1989 Matsuda et al. D10/104
4,914,750 A * 4/1990 Lawson 381/152

5,284,659 A * 2/1994 Cherukuri et al. 424/441
D379,093 S * 5/1997 Vollum et al. D14/216
D384,177 S * 9/1997 Pun D10/106
D385,208 S * 10/1997 Chui D10/104
D417,165 S * 11/1999 Takeda et al. D10/106

* cited by examiner

Primary Examiner—Nanda Bondade

(74) *Attorney, Agent, or Firm*—Curtis L. Harrington

(57) **CLAIM**

The ornamental design for a transducer, as shown and described.

DESCRIPTION

FIG. 1 is a perspective view of the transducer;
FIG. 2 is a front view which is identical to a rear view;
FIG. 3 is a right side view which is identical to a left side view;
FIG. 4 is a top view; and,
FIG. 5 is a bottom view.
The broken line showing on FIGS. 1-4 is for illustrative purposes only and forms no part of the claimed design.

1 Claim, 2 Drawing Sheets

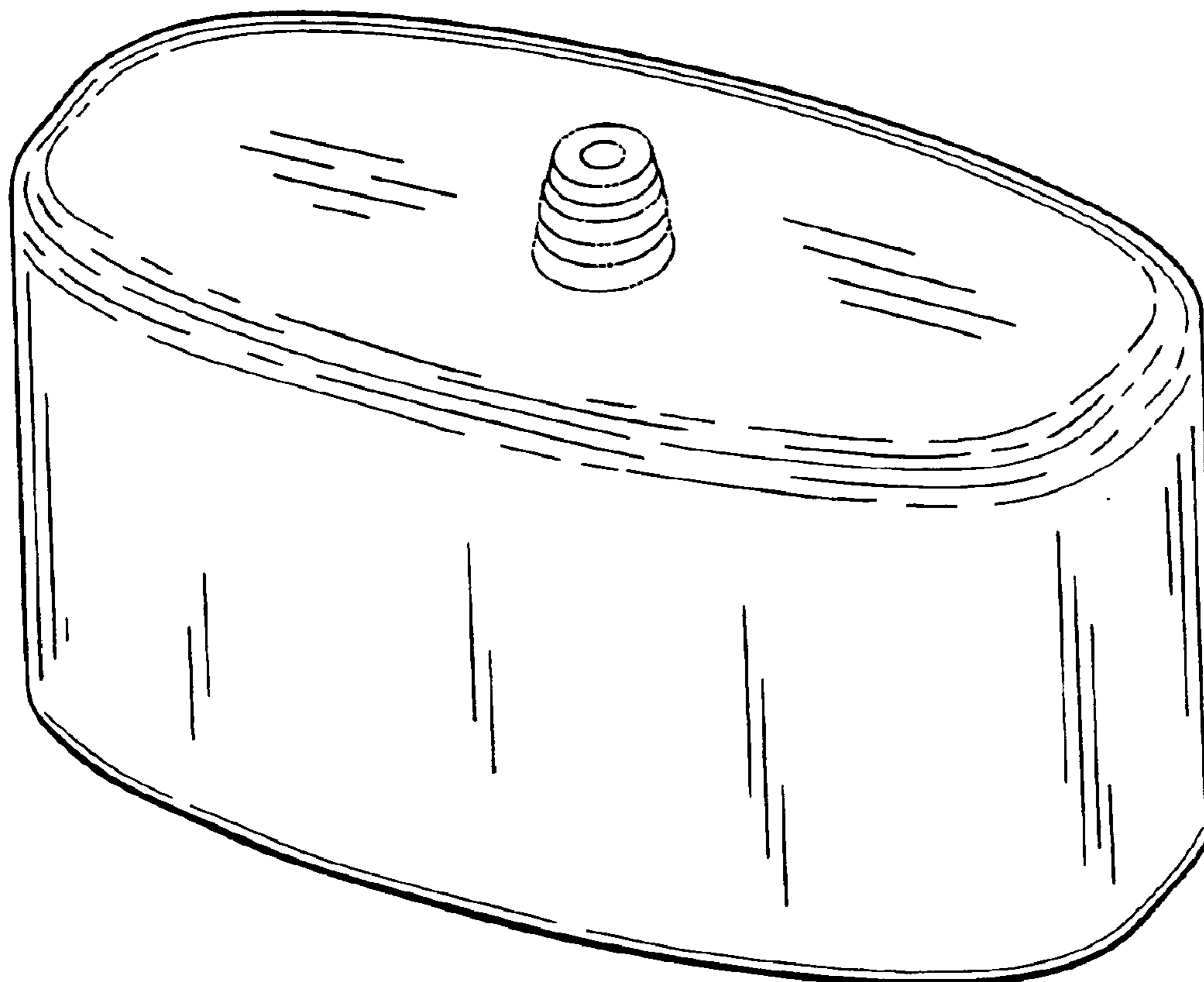


Fig. 1

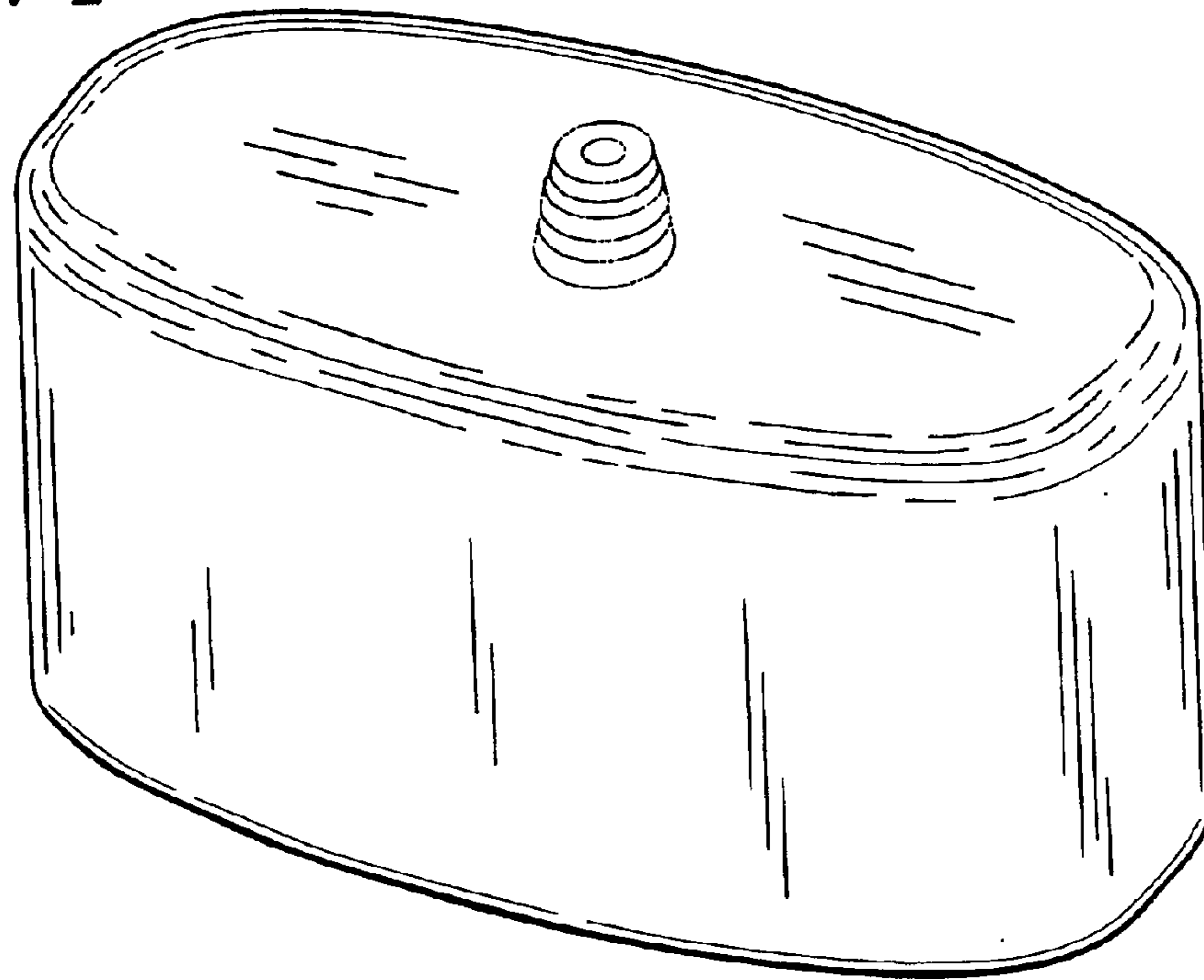


Fig. 2

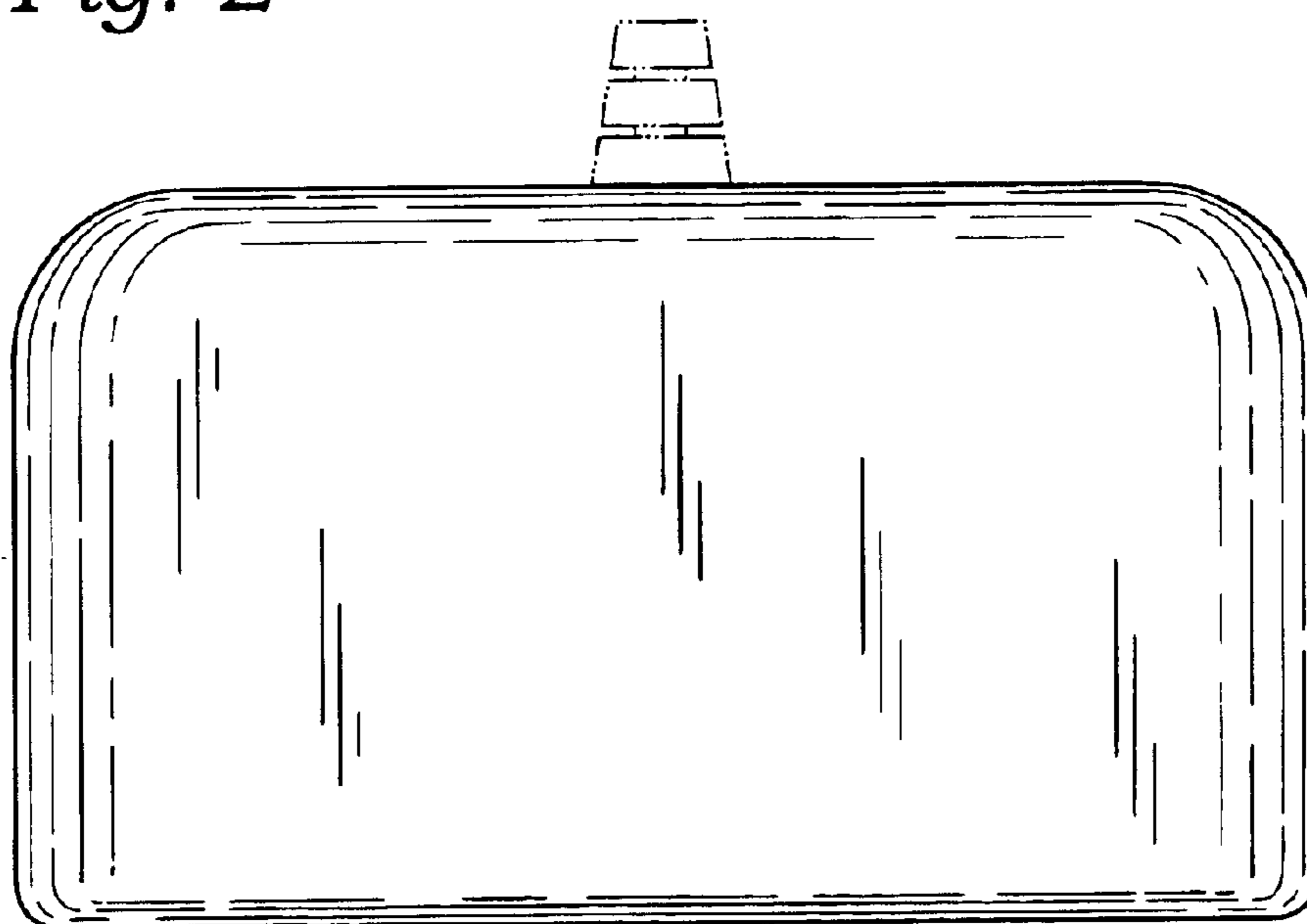


Fig. 3

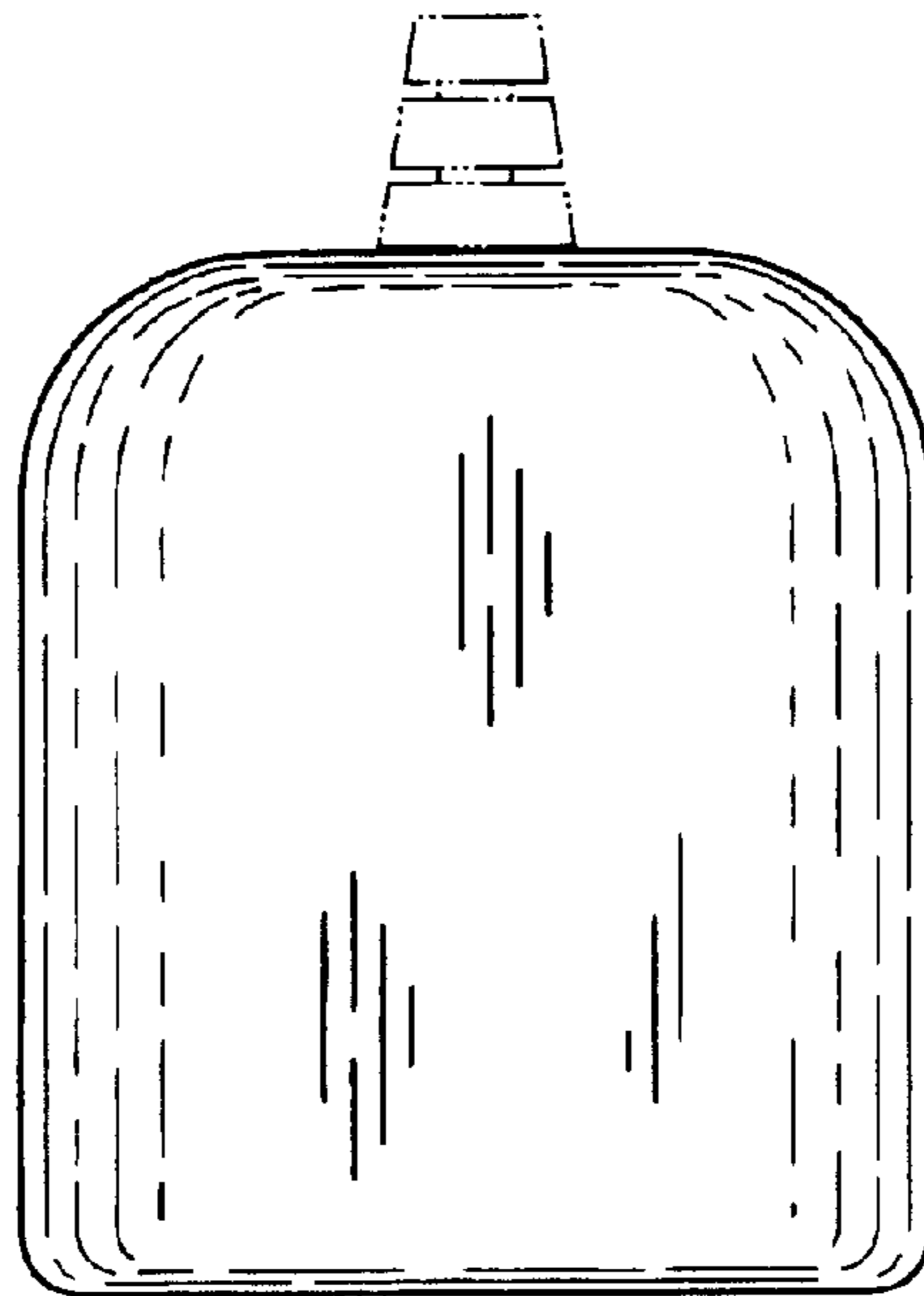


Fig. 4

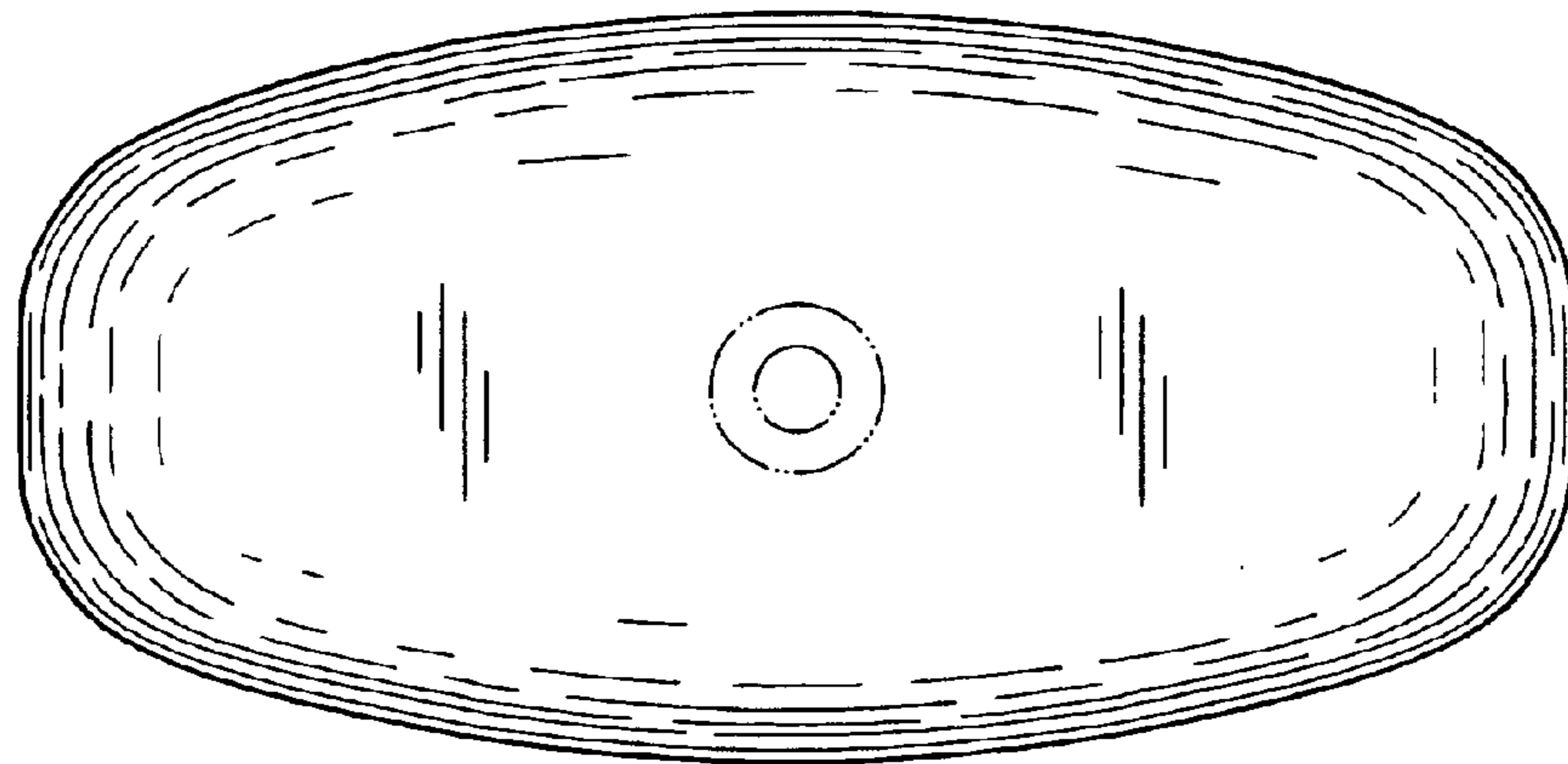


Fig. 5

