



US00D511339S

(12) **United States Design Patent**
Tsuge

(10) **Patent No.: US D511,339 S**
(45) **Date of Patent: ** Nov. 8, 2005**

(54) **SPEAKER BOX**

(75) Inventor: **Takahiro Tsuge**, Tokyo (JP)
(73) Assignee: **Sony Corporation**, Tokyo (JP)
(**) Term: **14 Years**

(21) Appl. No.: **29/209,873**
(22) Filed: **Jul. 23, 2004**

(51) **LOC (8) Cl. 14-01**
(52) **U.S. Cl. D14/214**
(58) **Field of Search D14/204, 207,**
D14/209-216, 356; 181/143-144, 147-148,
150, 157, 198-199, 151, 153; 381/300-302,
306, 333, 345, 361-364, 386-388, 332,
336

(56) **References Cited**

U.S. PATENT DOCUMENTS

D266,759 S	*	11/1982	Jabara	D14/214
D369,356 S	*	4/1996	Olson	D14/214
D418,138 S		12/1999	Miyazaki	
D478,891 S		8/2003	Hisatsune	
D489,707 S	*	5/2004	Kobayashi	D14/214
D491,165 S		6/2004	Hakoda	

OTHER PUBLICATIONS

Web page "DAV-SC8" <http://www.ecat.sony.co.jp/audio/hometheater/products/index.ctm?PD=15075&KM=DAV-SC8>, 1 sheet, Sony (May 2004).
Web page "HT-SL80" <http://www.ecat.sony.co.jp/audio/hometheater/products/index.ctm?PD=15388&KM=HT-SL80>, 1 sheet, Sony (May 2004).

* cited by examiner

Primary Examiner—Nanda Bondade
(74) *Attorney, Agent, or Firm*—Rader, Fishman & Grauer PLLC

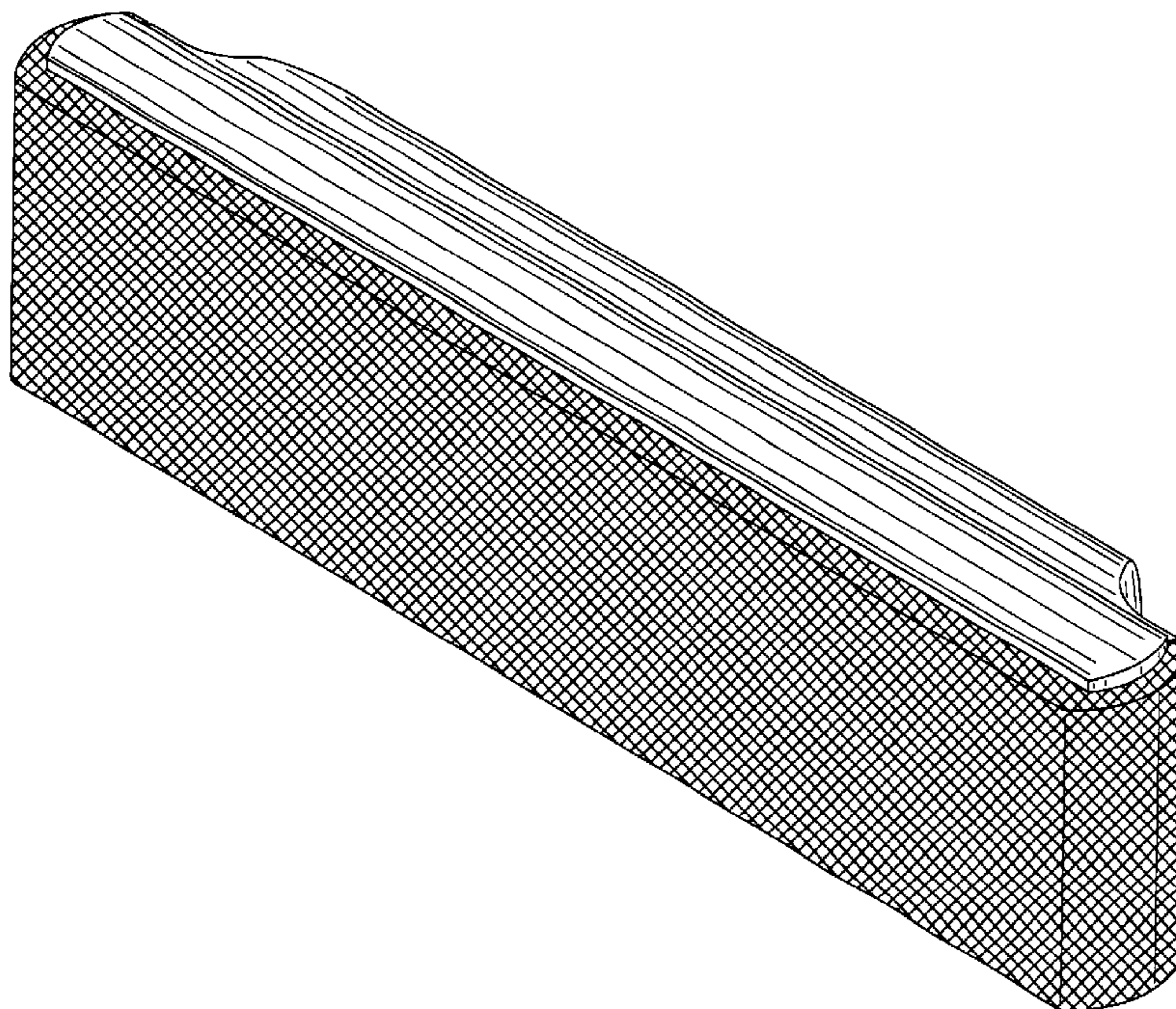
(57) **CLAIM**

The ornamental design for speaker box, as shown.

DESCRIPTION

FIG. 1 is a perspective view of a speaker box showing my new design;
FIG. 2 is a front elevational view thereof;
FIG. 3 is a rear elevational view thereof;
FIG. 4 is a left side elevational view thereof;
FIG. 5 is a right side elevational view thereof;
FIG. 6 is a top plan view thereof; and,
FIG. 7 is a bottom plan view thereof.

1 Claim, 4 Drawing Sheets



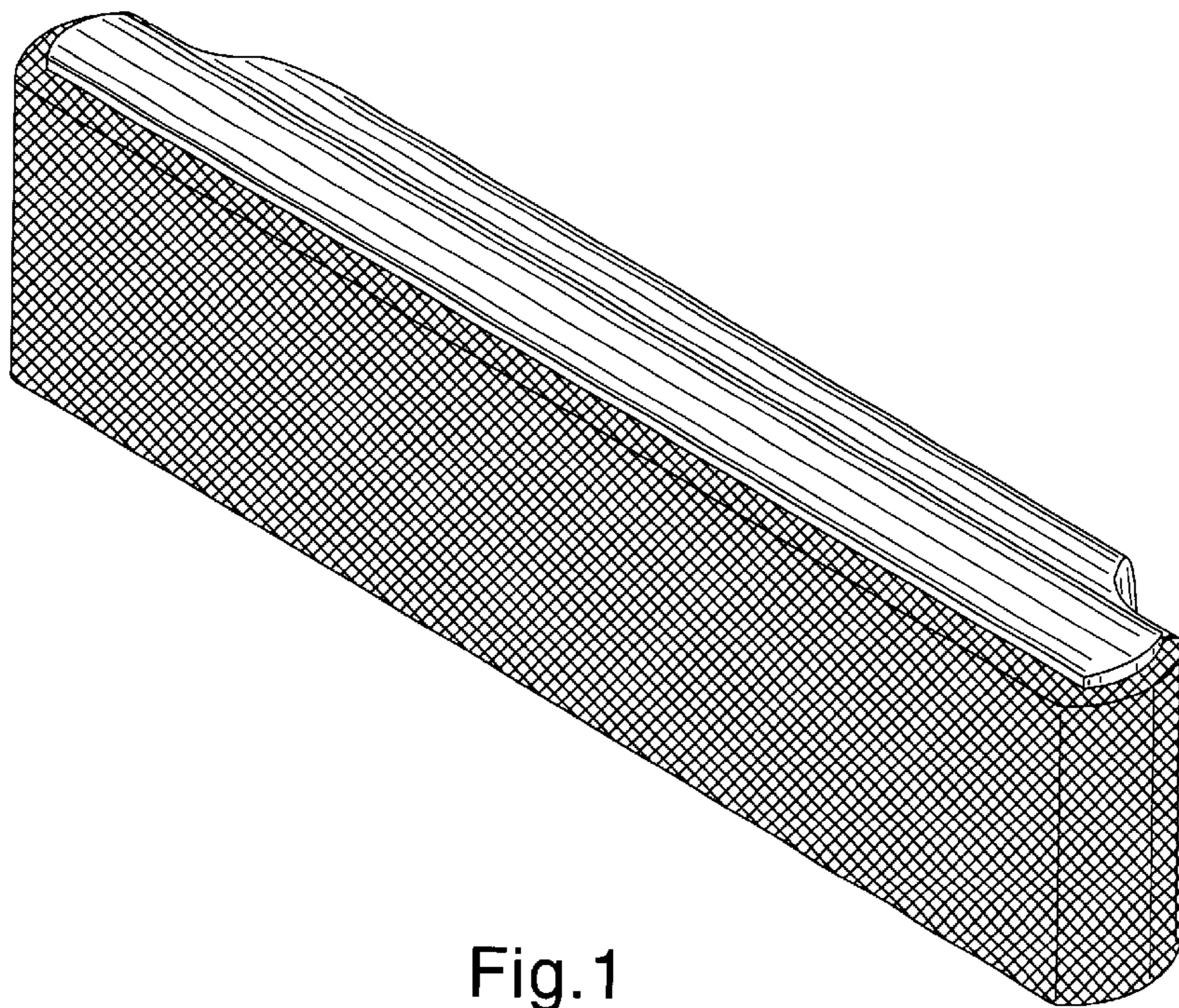


Fig.1

Fig.2

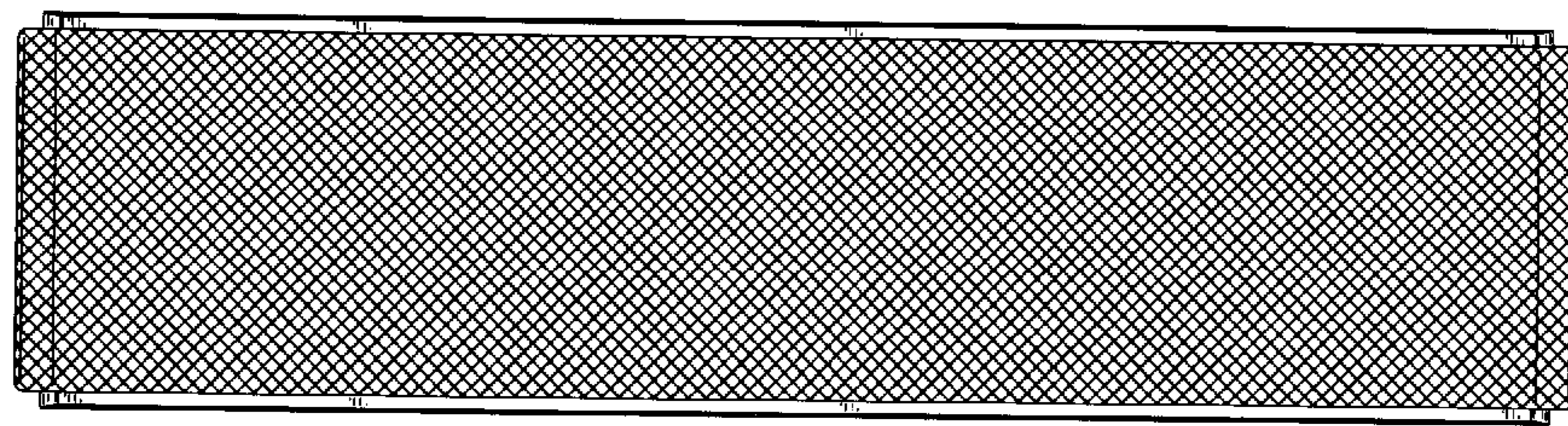


Fig.3



Fig.4

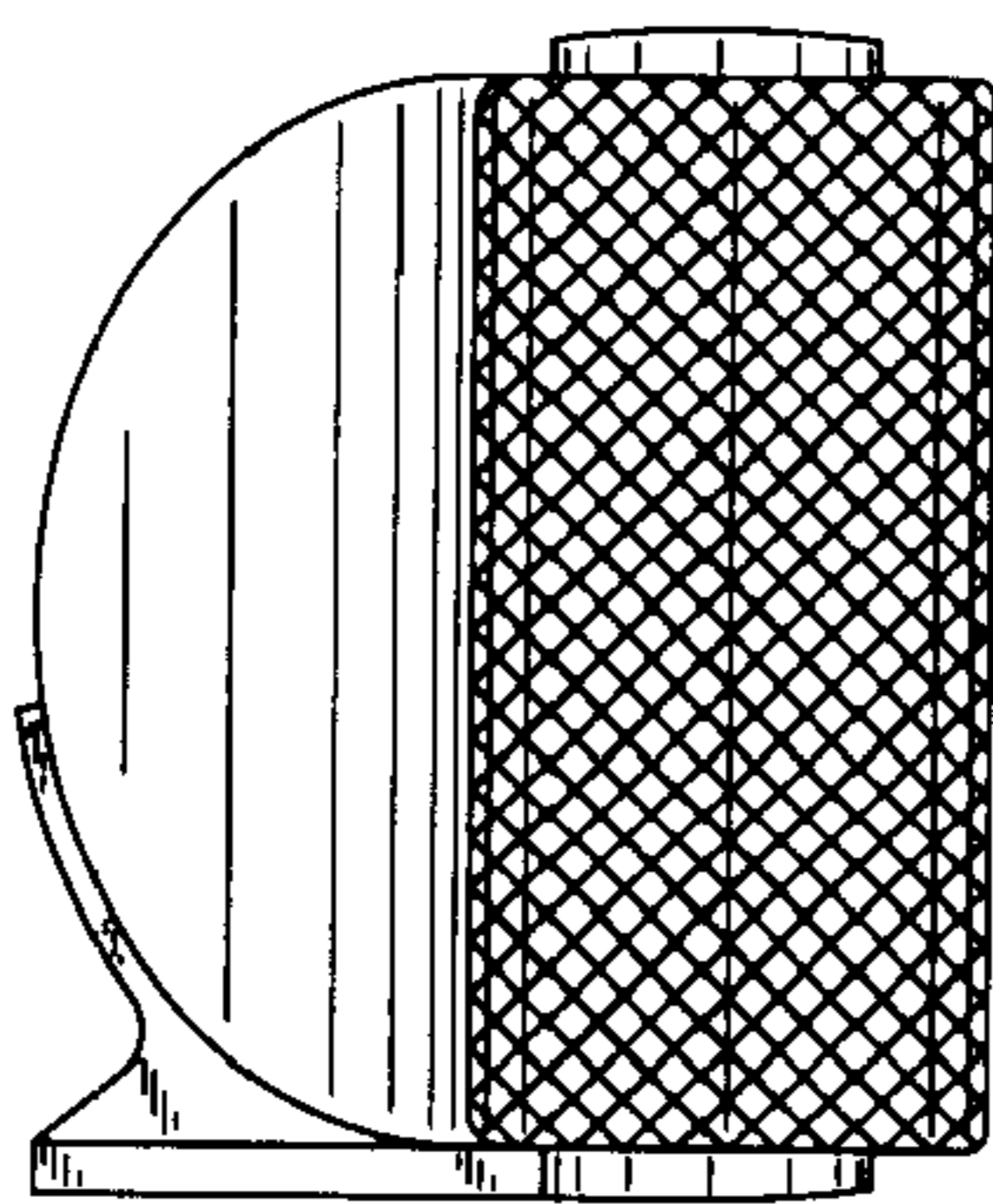


Fig.5

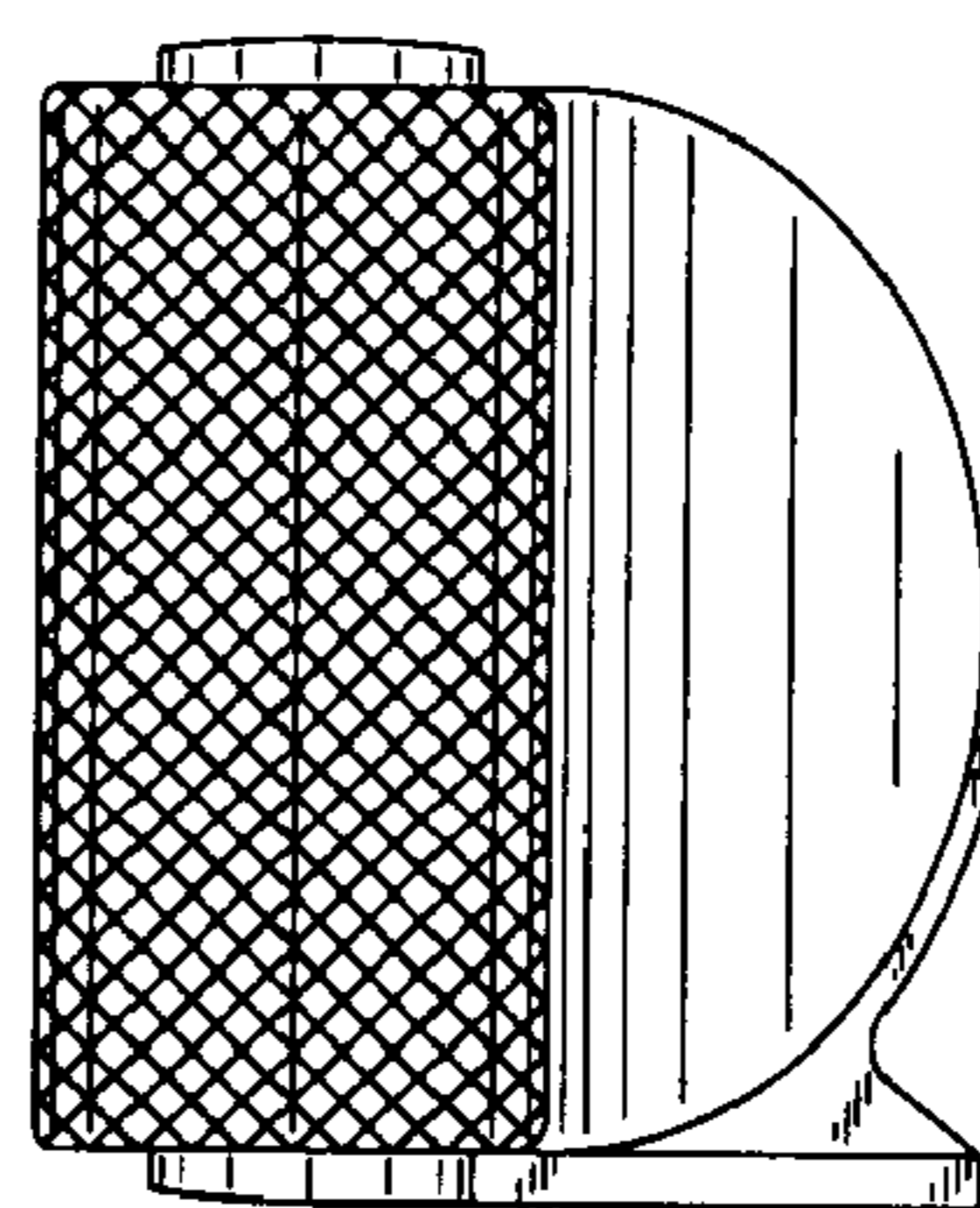


Fig.6

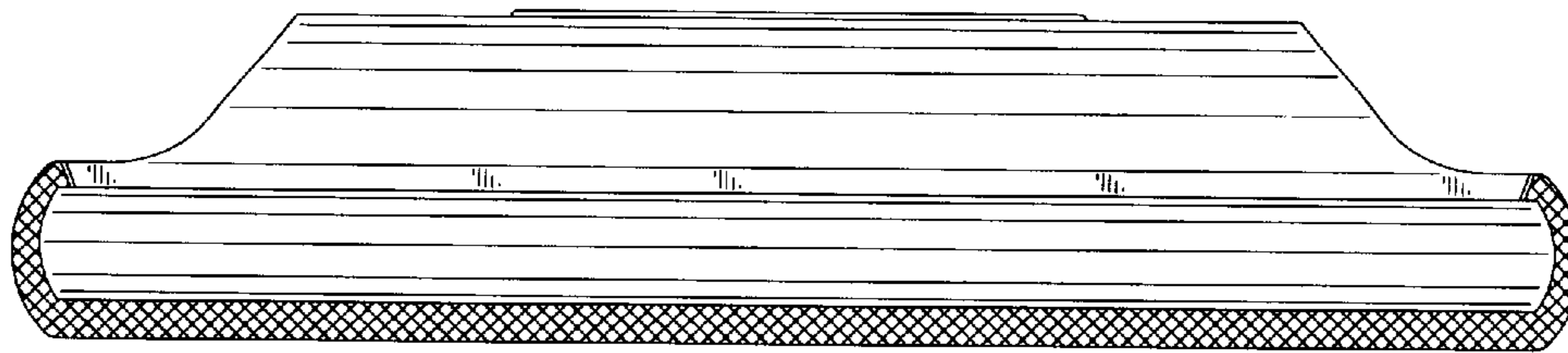


Fig.7

