



US00D511337S

(12) **United States Design Patent**
Kim

(10) **Patent No.: US D511,337 S**

(45) **Date of Patent: ** Nov. 8, 2005**

(54) **PORTABLE MP-3 COMPACT DISC PLAYER WITH GAMING DEVICE**

(75) **Inventor: Damian Junghoon Kim**, Discovery Bay, Lantau Island (HK)

(73) **Assignee: Koninklijke Philips Electronics, N.V.**, Eindhoven (NL)

(**) **Term: 14 Years**

(21) **Appl. No.: 29/196,009**

(22) **Filed: Dec. 19, 2003**

(51) **LOC (8) Cl. 14-01**

(52) **U.S. Cl. D14/156; D14/168; D21/329**

(58) **Field of Search** D14/135-136, D14/156-157, 160-165, 167-168, 192-198, 217; 455/347-351, 344; 369/75.1, 75.2, 77.1, 77.2; D21/324, 329; 463/1, 29-35, 46-47

(56) **References Cited**

U.S. PATENT DOCUMENTS

D425,571 S * 5/2000 Goto D21/329

D431,544 S * 10/2000 Kobayashi D14/156

D433,672 S * 11/2000 Kobayashi D14/156

6,227,966 B1 * 5/2001 Yokoi 463/1

6,287,193 B1 * 9/2001 Rehkemper et al. 463/1

D469,475 S * 1/2003 Nishide D21/329

D478,887 S * 8/2003 Jerome D14/156

* cited by examiner

Primary Examiner—Nanda Bondade

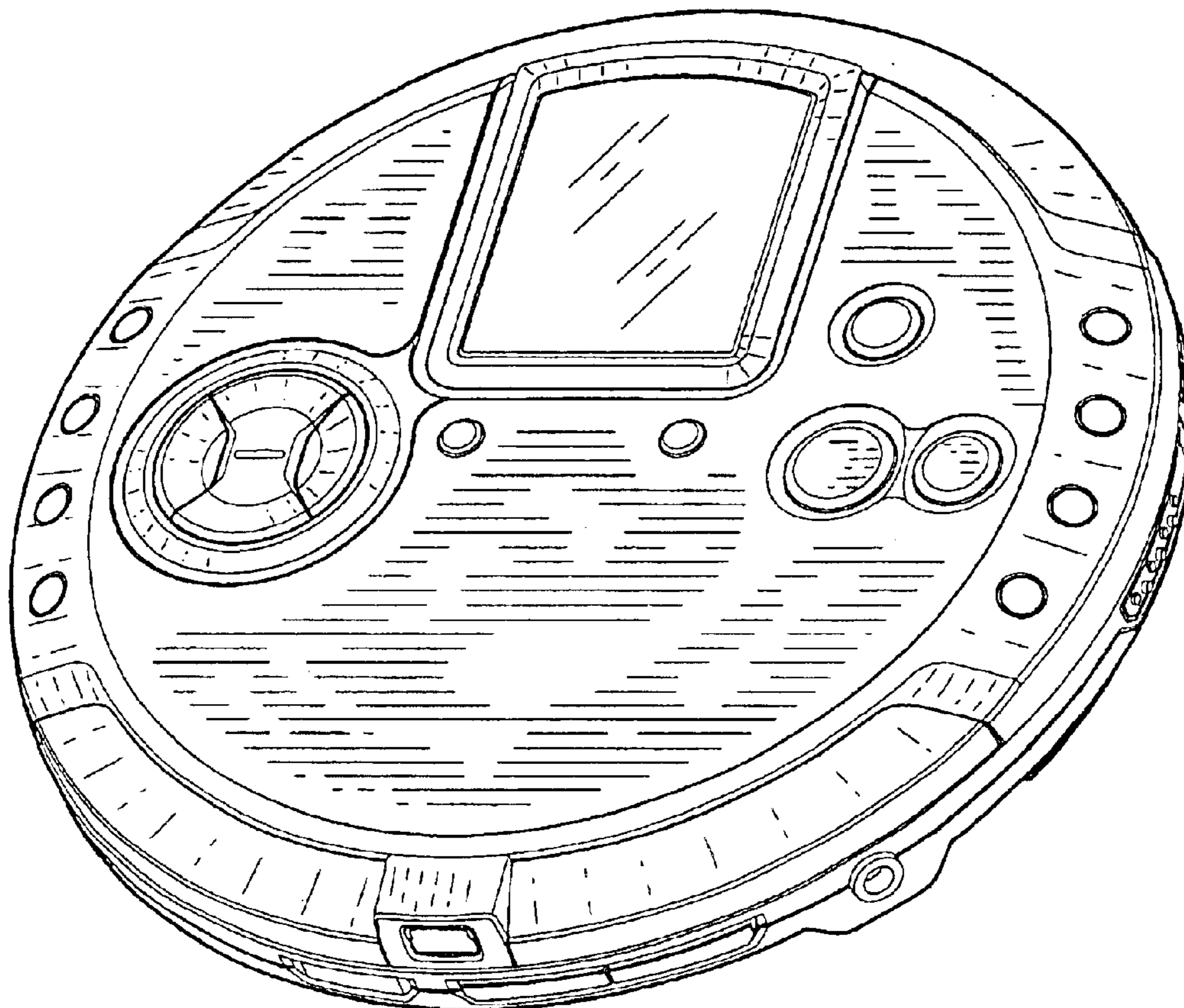
(57) **CLAIM**

The ornamental design for a portable MP-3 compact disc player with gaming device, as shown.

DESCRIPTION

FIG. 1 is a perspective view showing my design; FIG. 2 is a front elevational view thereof; FIG. 3 is a rear elevational view thereof; FIG. 4 is a right side elevational view thereof; FIG. 5 is a left side elevational view thereof; FIG. 6 is a top plan view thereof; and, FIG. 7 is a bottom plan view thereof.

1 Claim, 5 Drawing Sheets



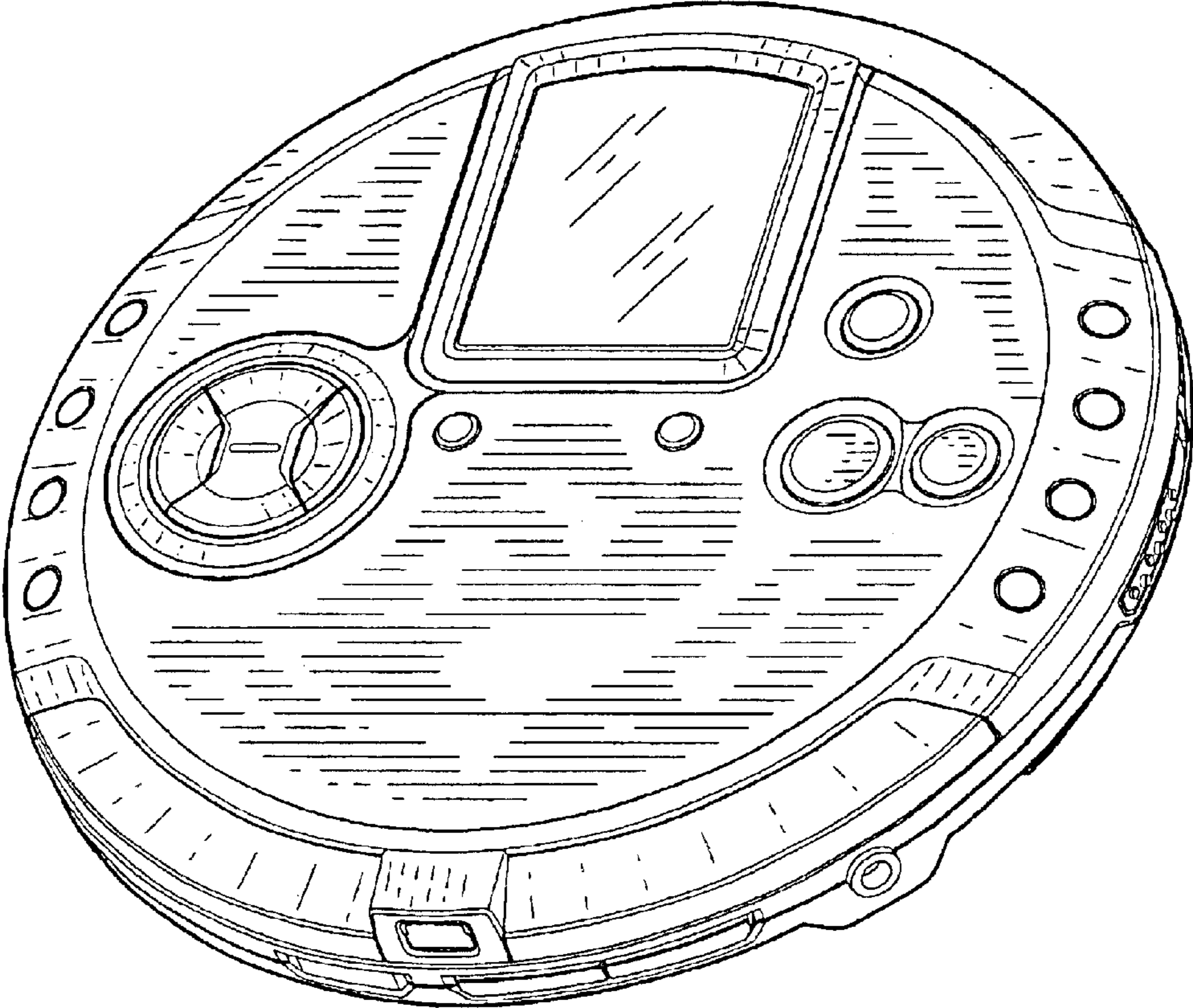


FIG. 1

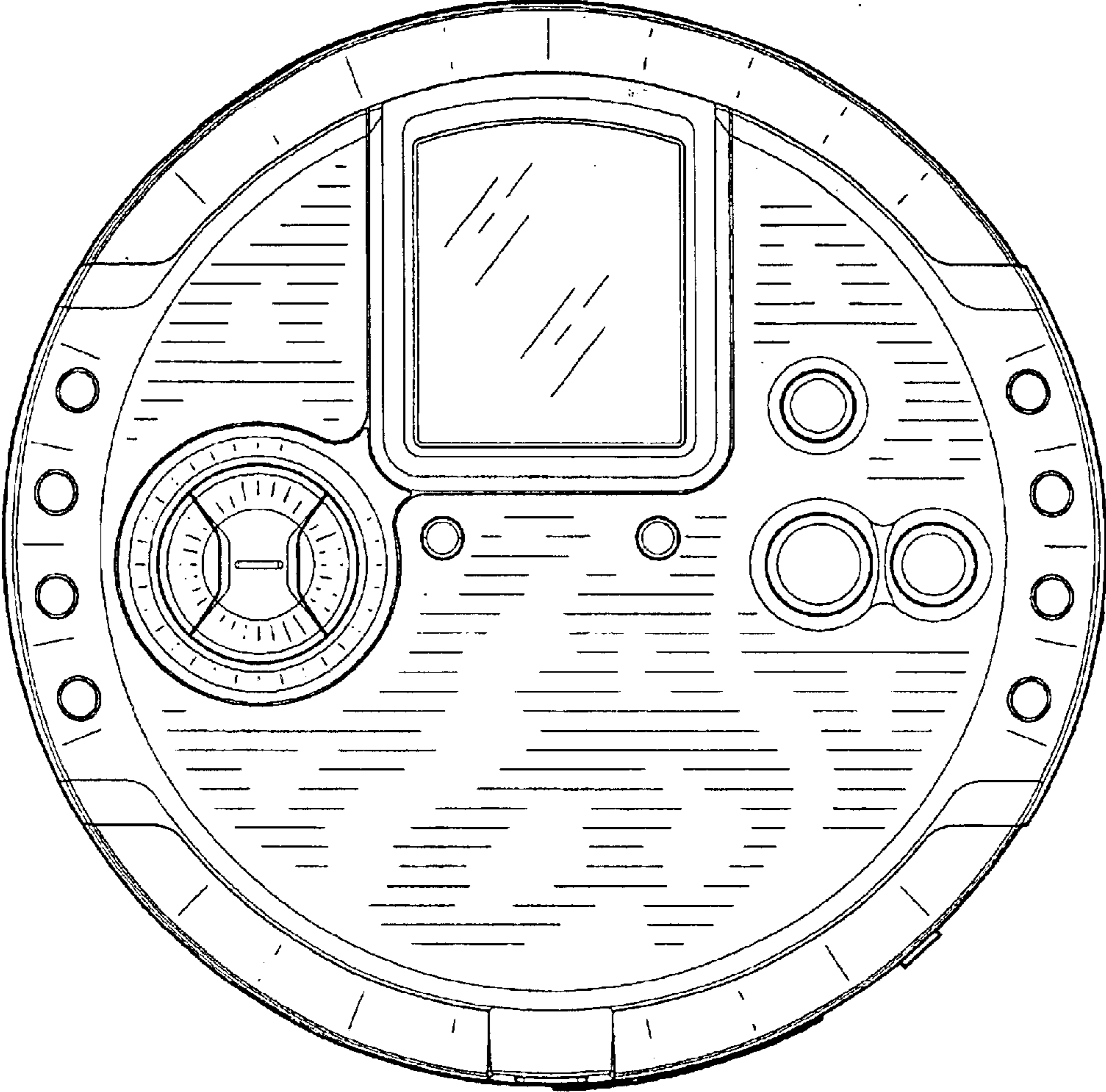


FIG. 2

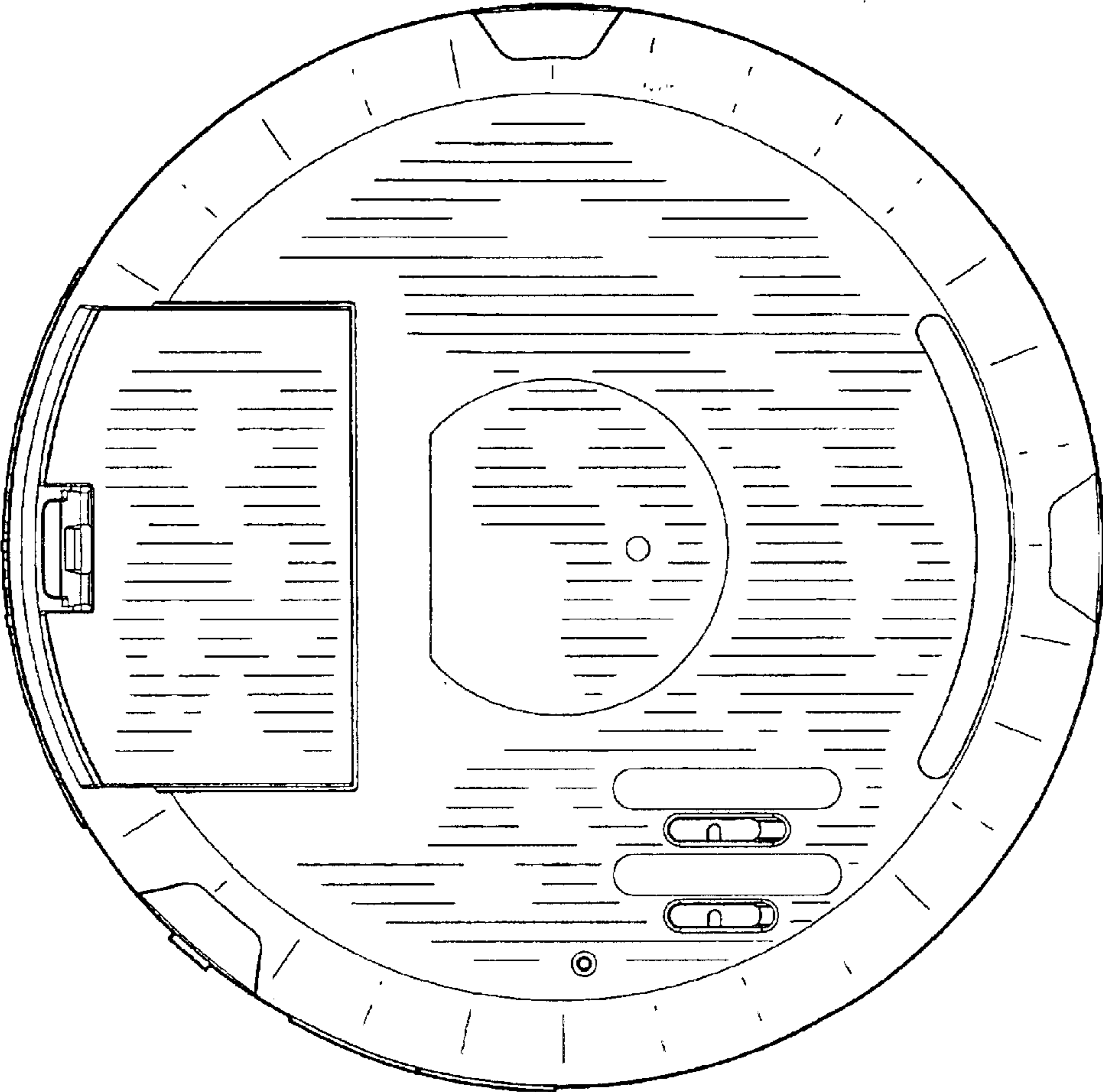


FIG. 3

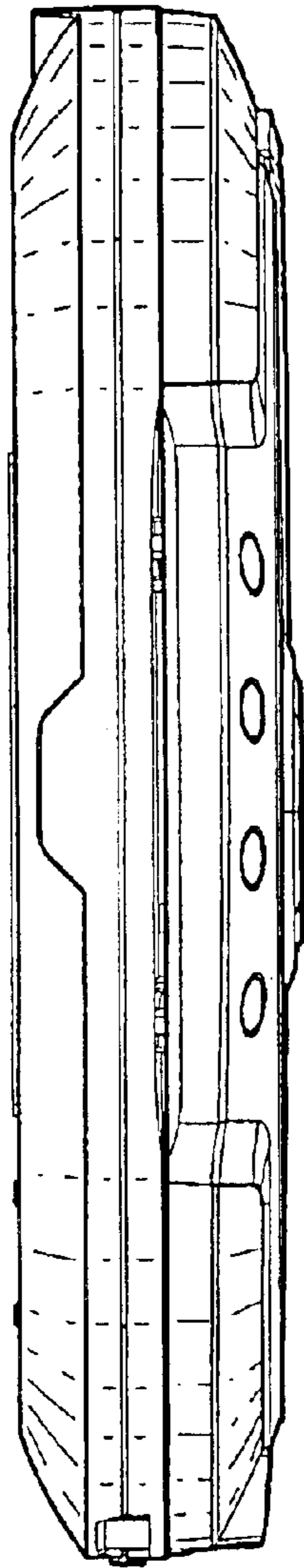


FIG. 4

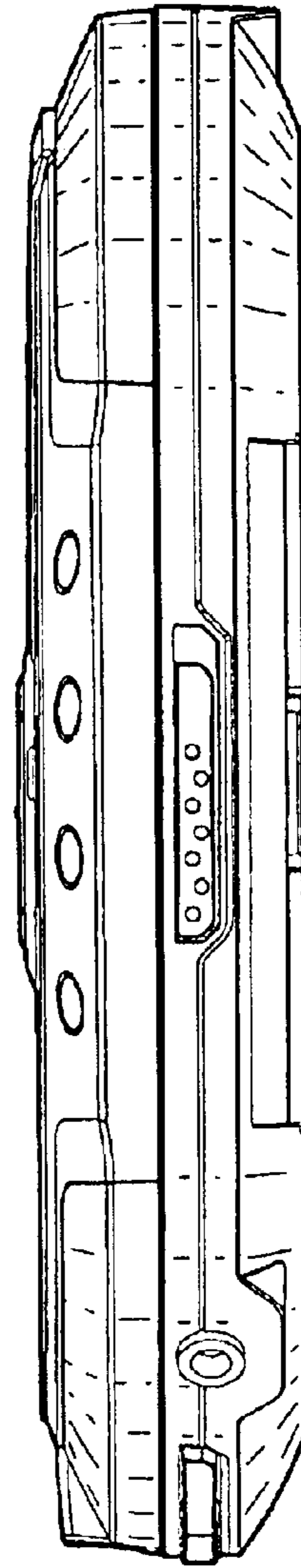


FIG. 5

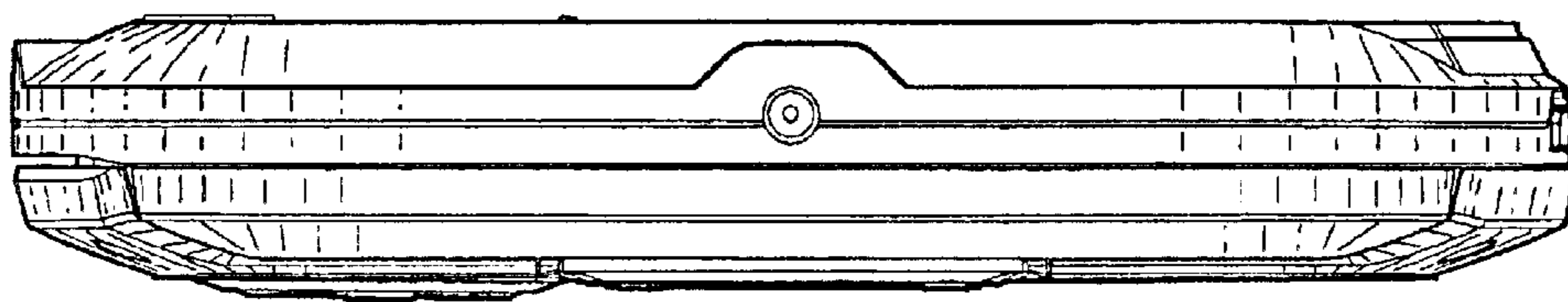


FIG. 6

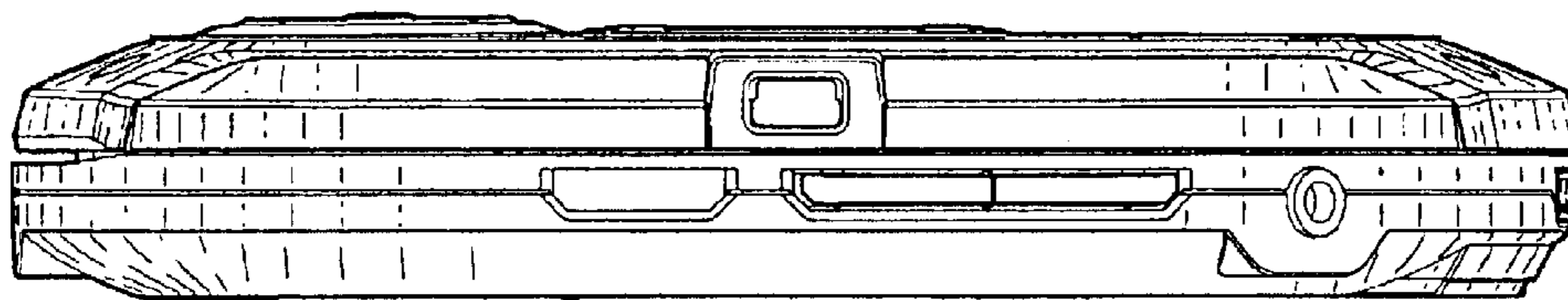


FIG. 7