



US00D511336S

(12) **United States Design Patent**  
**Kim et al.**

(10) **Patent No.:** **US D511,336 S**  
(45) **Date of Patent:** **\*\* Nov. 8, 2005**

(54) **CELLULAR PHONE**

(75) Inventors: **Jin-Soo Kim**, Seoul (KR); **Nam-Mi Kim**, Seoul (KR); **Chang-Hwan Hwang**, Goyang-si (KR)

(73) Assignee: **Samsung Electronics Co., Ltd.** (KR)

(\*\*) Term: **14 Years**

(21) Appl. No.: **29/206,087**

(22) Filed: **May 26, 2004**

(30) **Foreign Application Priority Data**

Dec. 4, 2003 (KR) ..... 30-2003-0034645

(51) **LOC (8) Cl.** ..... **14-03**

(52) **U.S. Cl.** ..... **D14/138**

(58) **Field of Search** ..... D14/137, 138,  
D14/147-148, 247-248, 144, 341-347;  
379/433.01-433.13, 434; 455/550.1-90.3,  
575.3, 566, 575.1; D21/517

(56) **References Cited**

**U.S. PATENT DOCUMENTS**

D429,707 S	*	8/2000	Park	.....	D14/138
D440,955 S	*	4/2001	Tanaka et al.	.....	D14/138
D443,866 S	*	6/2001	Arbisi et al.	.....	D14/138
D450,672 S	*	11/2001	Arbisi et al.	.....	D14/138
D462,064 S	*	8/2002	Kim	.....	D14/138
D475,689 S	*	6/2003	Shimazu et al.	.....	D14/138
D484,478 S	*	12/2003	Kota et al.	.....	D14/138
D484,863 S	*	1/2004	Chan	.....	D14/138
D485,248 S	*	1/2004	Ogawa	.....	D14/138
D485,249 S	*	1/2004	Liao et al.	.....	D14/138
D485,818 S	*	1/2004	Yabe et al.	.....	D14/138
D486,462 S	*	2/2004	Lim	.....	D14/138
D487,443 S	*	3/2004	Yoon	.....	D14/138

D487,444 S	*	3/2004	Yoon	.....	D14/138
D490,065 S	*	5/2004	Shimazu et al.	.....	D14/138
D490,389 S	*	5/2004	Yang	.....	D14/138
D493,439 S	*	7/2004	Hong et al.	.....	D14/138
D495,672 S	*	9/2004	Jeon et al.	.....	D14/138
D496,347 S	*	9/2004	Choi et al.	.....	D14/191
D498,734 S	*	11/2004	Joung	.....	D14/138
D500,016 S	*	12/2004	Kim	.....	D14/138
D500,480 S	*	1/2005	Daw	.....	D14/138
D500,481 S	*	1/2005	Kim et al.	.....	D14/138
2002/0187818 A1	*	12/2002	Kang	.....	455/575
2003/0199290 A1	*	10/2003	Viertola	.....	455/575.1
2004/0097258 A1	*	5/2004	Lee et al.	.....	455/550.1
2004/0142718 A1	*	7/2004	Kim	.....	455/550.1
2004/0142734 A1	*	7/2004	Kim	.....	455/575.1
2004/0185920 A1	*	9/2004	Choi et al.	.....	455/575.1
2004/0203535 A1	*	10/2004	Kim et al.	.....	455/90.3
2004/0204064 A1	*	10/2004	Ikeda et al.	.....	455/556.1

\* cited by examiner

*Primary Examiner*—Jeffrey Asch  
(74) *Attorney, Agent, or Firm*—Cantor Colburn LLP

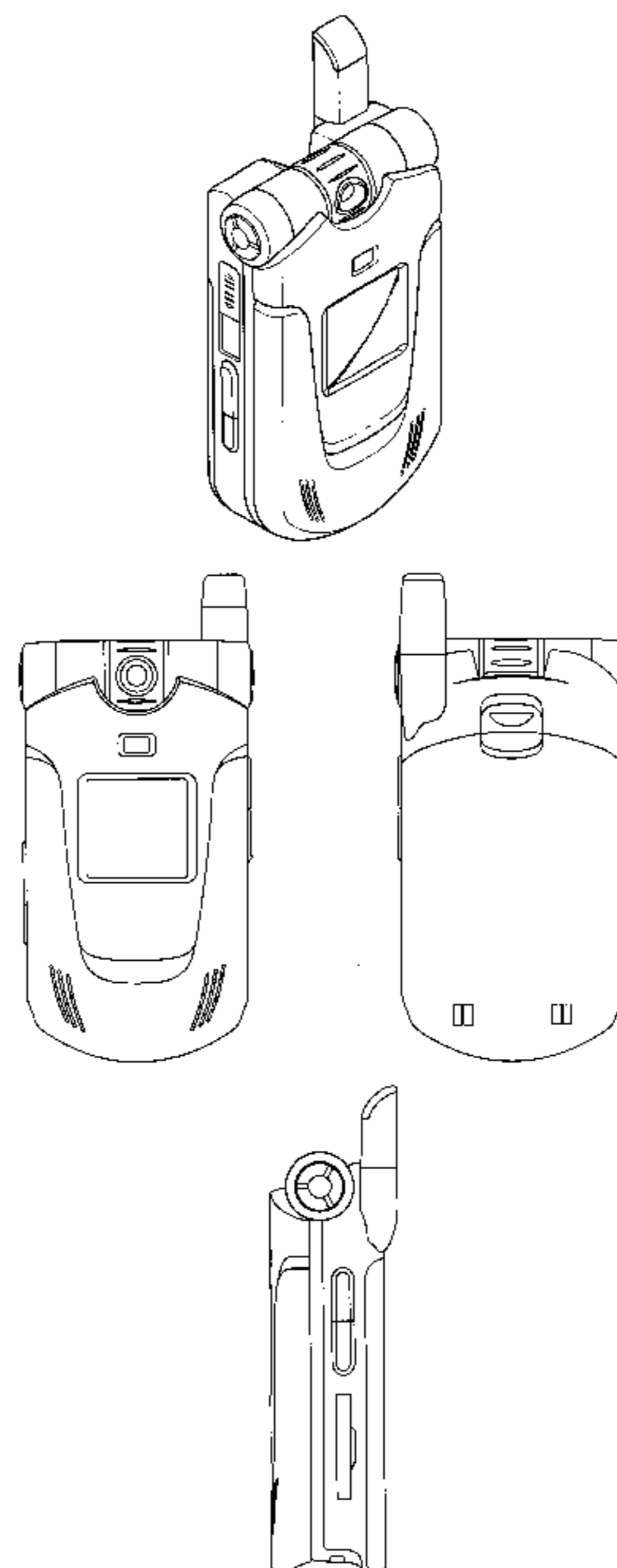
(57) **CLAIM**

We claim, the ornamental design for a cellular phone, as shown and described.

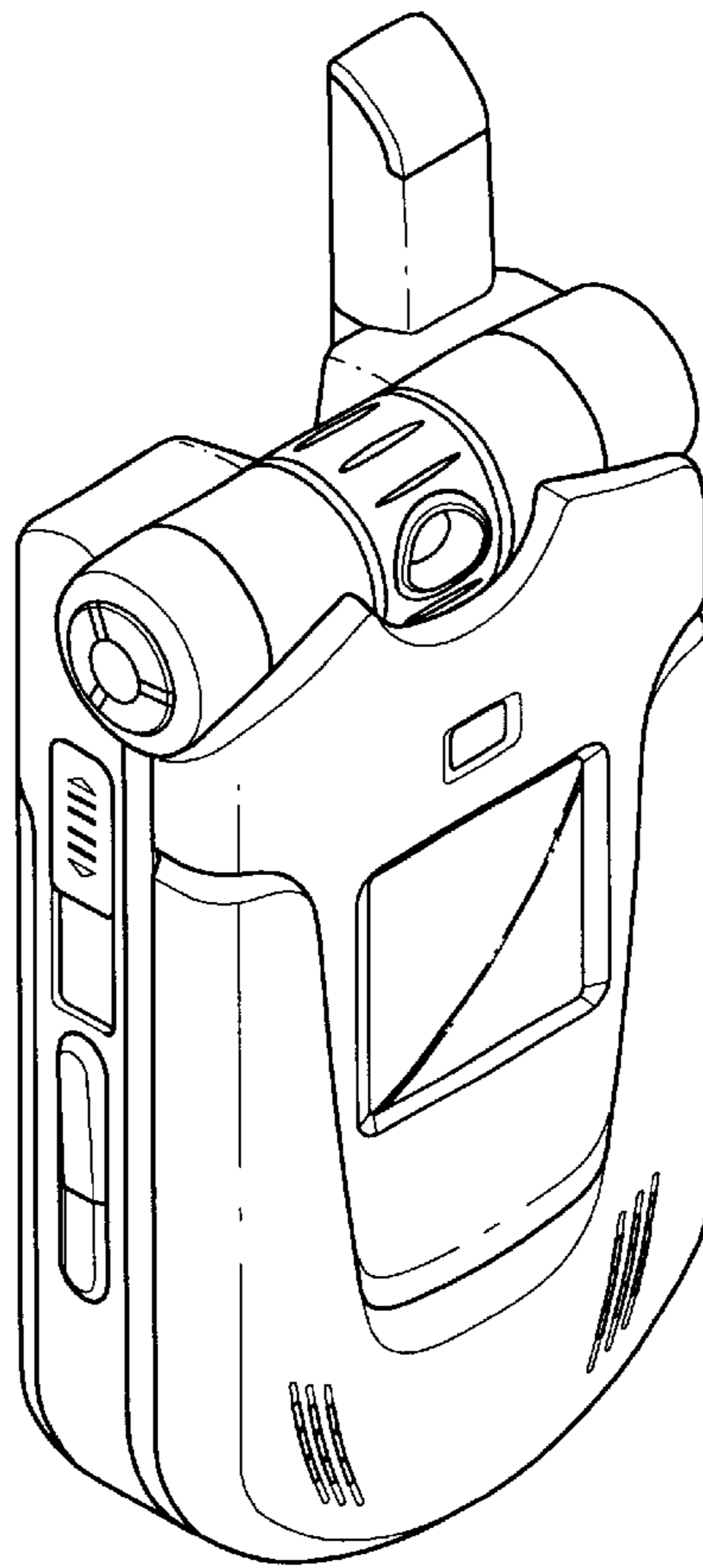
**DESCRIPTION**

FIG. 1 is a top and front perspective view of a cellular phone, showing our new design;  
FIG. 2 is a front elevational view thereof;  
FIG. 3 is a rear elevational view thereof;  
FIG. 4 is a left side elevational view thereof;  
FIG. 5 is a right side elevational view thereof;  
FIG. 6 is a top elevational view thereof; and,  
FIG. 7 is a bottom elevational view thereof.

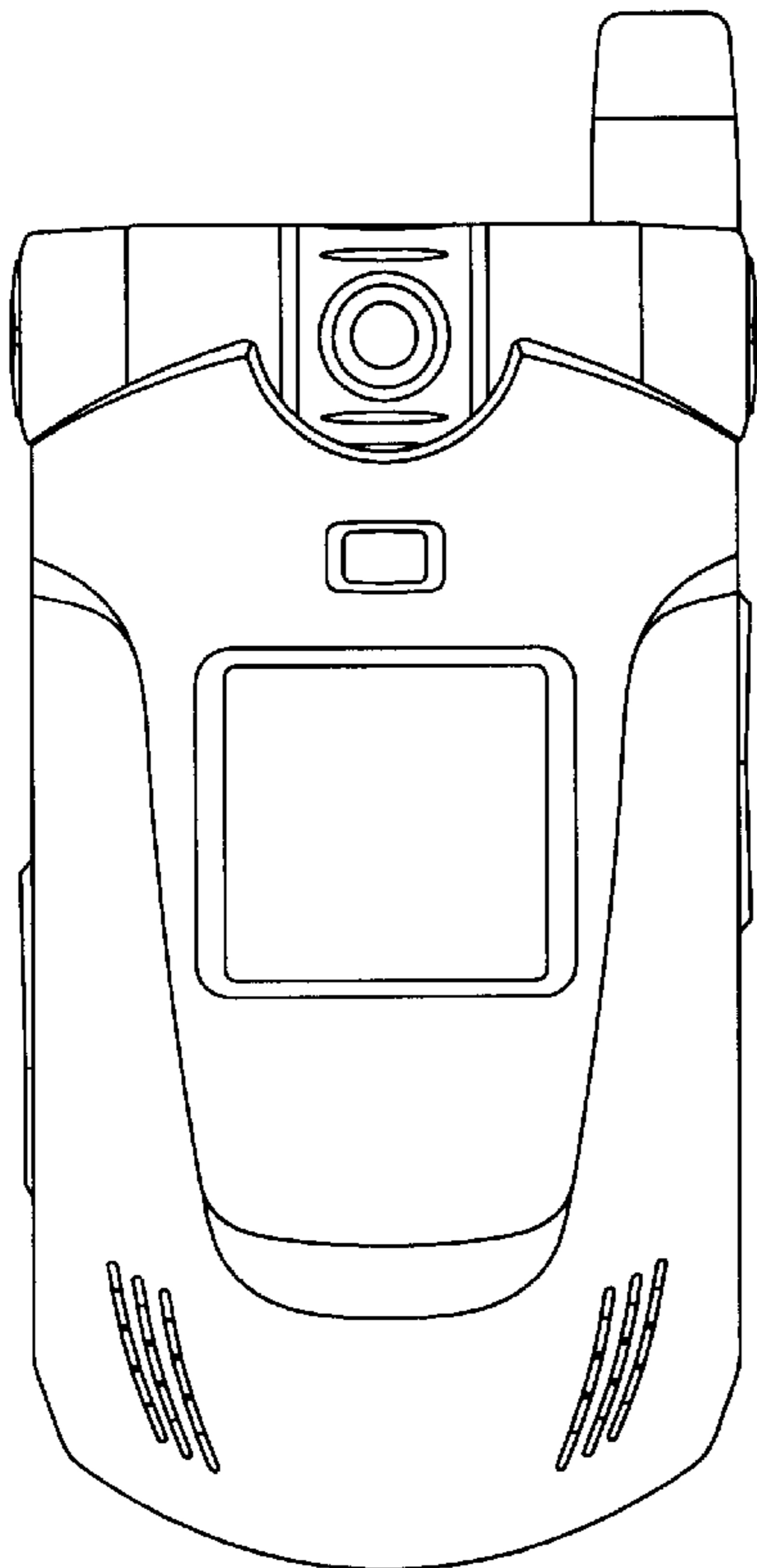
**1 Claim, 2 Drawing Sheets**



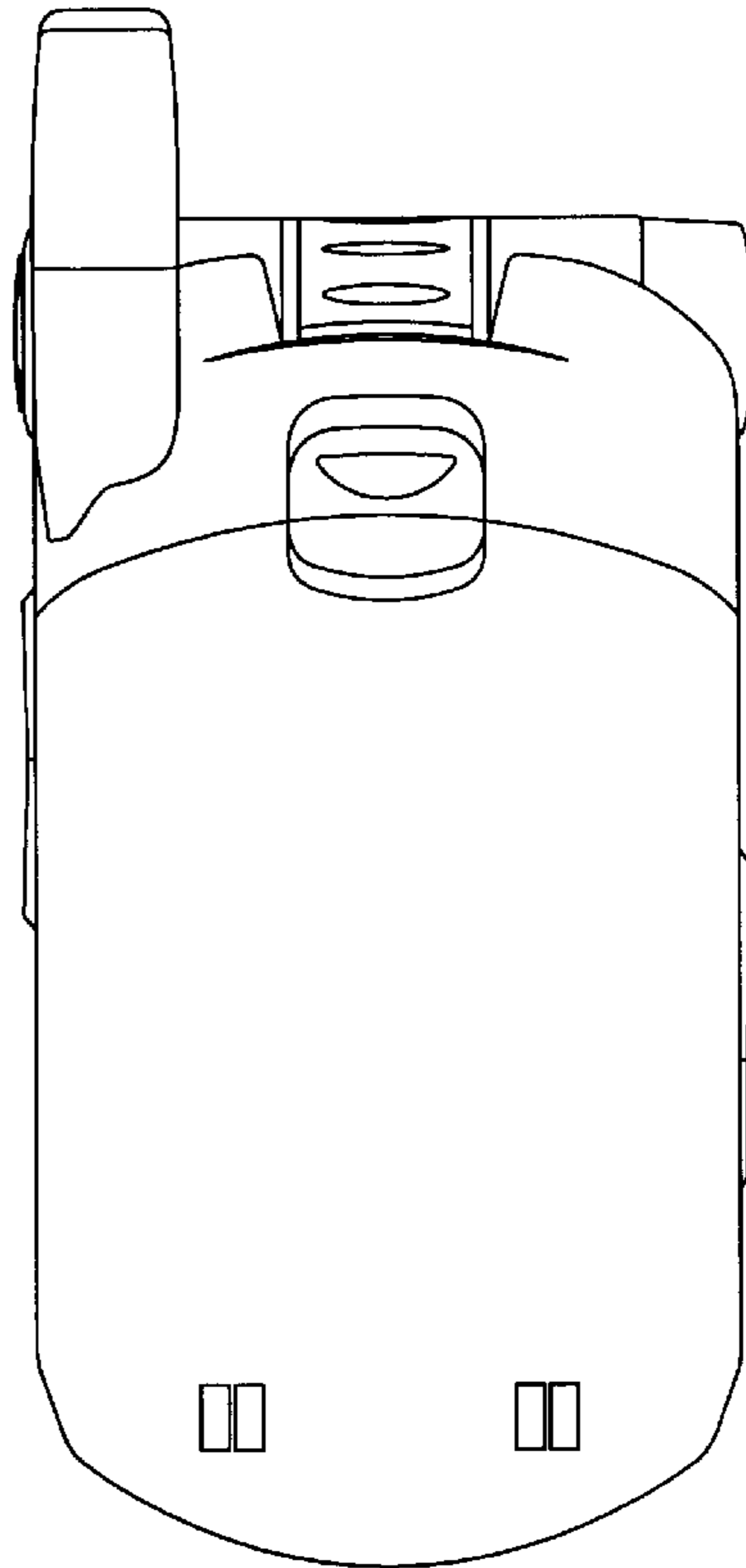
**FIG.1**



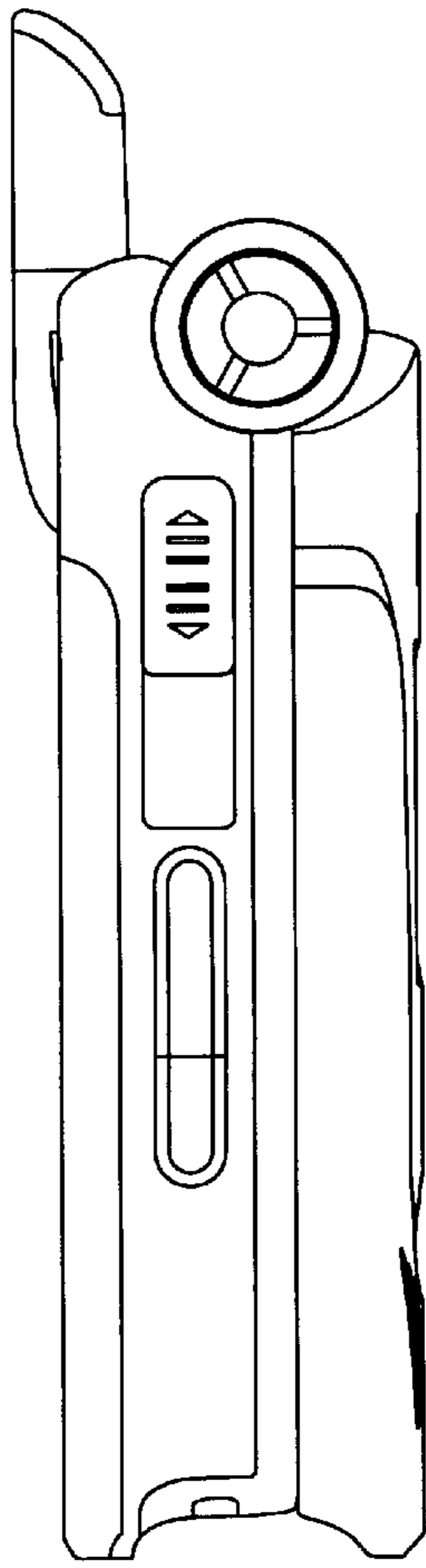
**FIG.2**



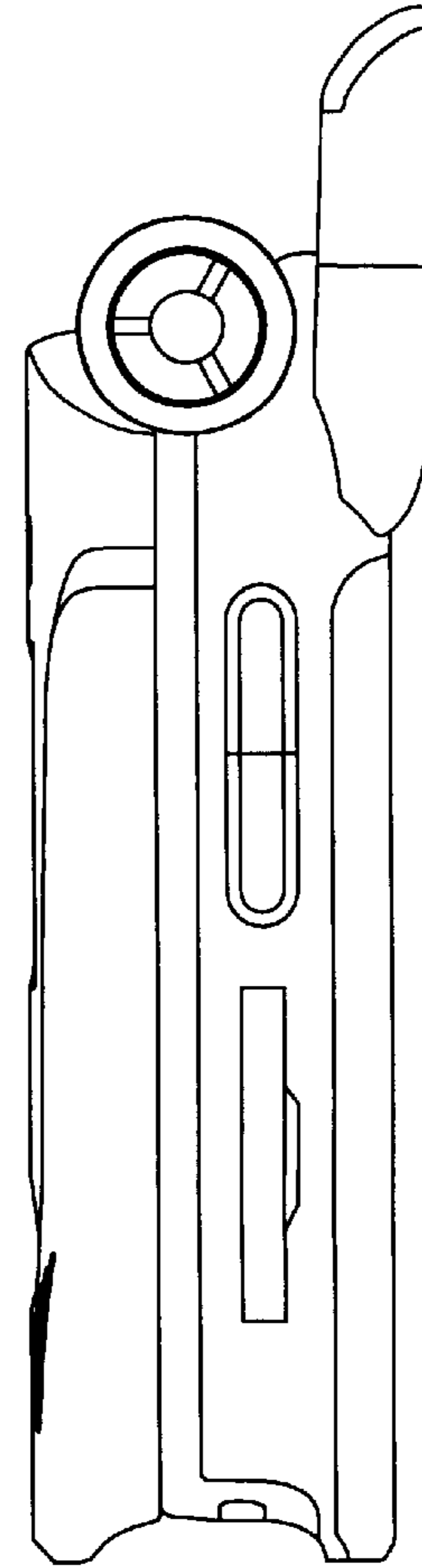
**FIG.3**



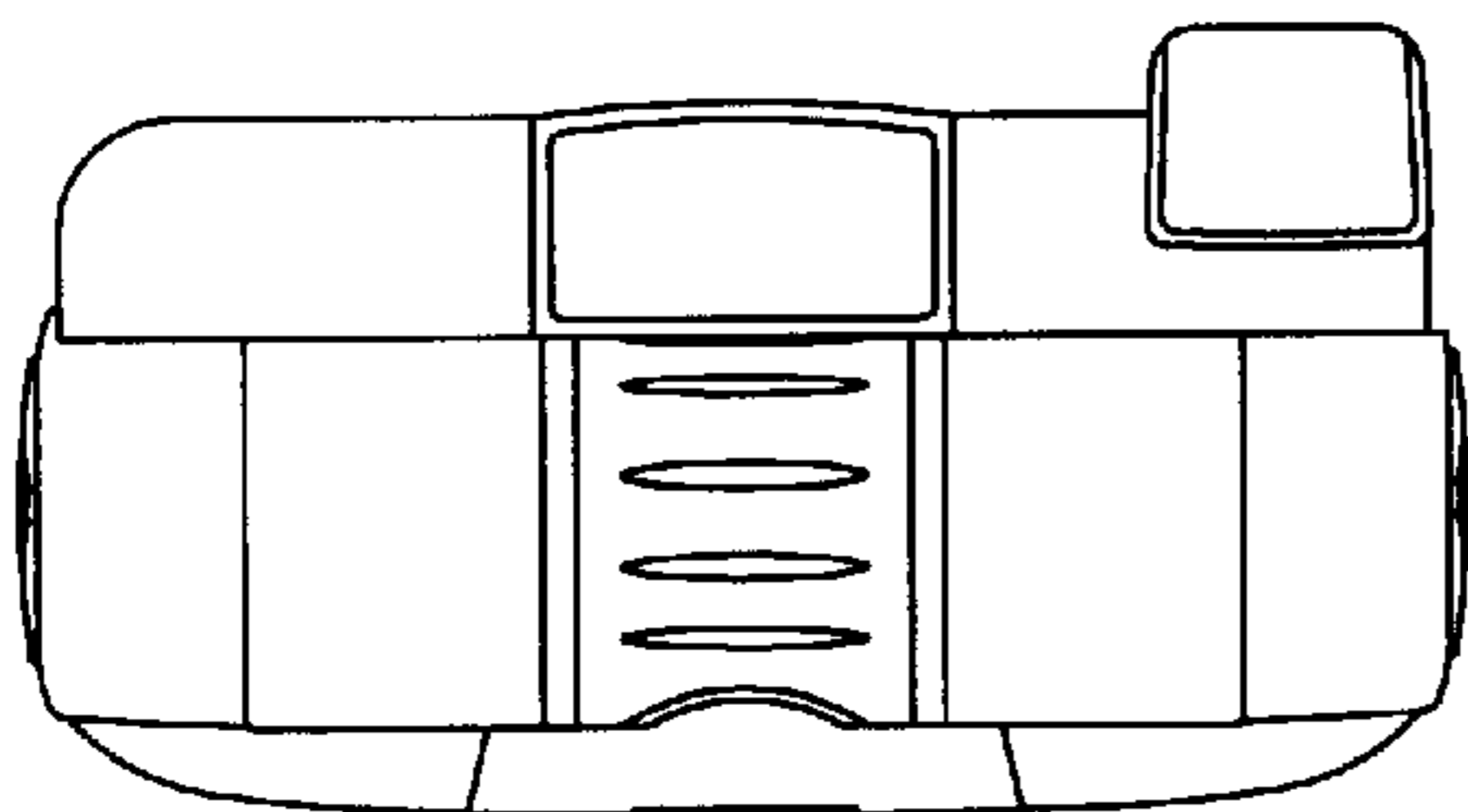
**FIG.4**



**FIG.5**



**FIG.6**



**FIG.7**

